

Henderson County

DRAFT

Land Development Code

June 27, 2007.

**LAND DEVELOPMENT CODE OF
HENDERSON COUNTY, NORTH CAROLINA
TABLE OF CONTENTS**

ARTICLE I. GENERAL PROVISIONS	Page
§200A-1. Title	1
§200A-2. Statutory Authority	1
§200A-3. Purpose.....	1
§200A-4. Jurisdiction.....	1
§200A-5. Rules of Construction	1
§200A-6. Official Zoning Map	2
§200A-7. Interpretation of District Boundaries	2
§200A-8. Compliance	3
§200A-9. Farm Exemption.....	3
§200A-10. Location of a Nonresidential Use	3
§200A-11. Relation to the Comprehensive Plan.....	3
§200A-12. Reserved.....	3
§200A-13. Reserved.....	3
§200A-14. Reserved.....	3
§200A-15. Reserved.....	3
§200A-16. Reserved.....	3
§200A-17. Reserved.....	3
§200A-18. Reserved.....	3
§200A-19. Reserved.....	4
§200A-20. Reserved.....	4
§200A-21. Reserved.....	4
ARTICLE II. ZONING DISTRICT REGULATIONS	
§200A-22. Application of Regulations	5
Subpart A. General Use Zoning Districts	
§200A-23. General Use Zoning Districts.....	5
§200A-24. General Use District Requirements	5
§200A-25. General Use Dimensional Requirements	6
§200A-26. Guide to Table of Permitted and Special Uses	6
§200A-27. Residential District One (R1).....	8
§200A-28. Residential District Two (R2).....	10
§200A-29. Residential District Two Manufactured Housing (R2MH)	12
§200A-30. Residential District Three (R3).....	14
§200A-31. Office Institutional District (OI)	15
§200A-32. Local Commercial District (LC)	17
§200A-33. Community Commercial District (CC).....	19
§200A-34. Regional Commercial District (RC)	21
§200A-35. General Commercial District (GC)	23
§200A-36. Industrial District (I)	24
§200A-37. Reserved.....	24
§200A-38. Reserved.....	24

§200A-39. Reserved.....24
 §200A-40. Reserved.....24
 §200A-41. Reserved.....24
Subpart B. Conditional Zoning Districts
 §200A-42. Conditional Zoning Districts Established25
 §200A-43. Plans and Other Information to Accompany Petition25
 §200A-44. Approval of Conditional Zoning District.....25
 §200A-45. Conditions to Approval of Petition26
 §200A-46. Effect of Approval26
 §200A-47. Alterations to Approval.....26
 §200A-48. Review of Approval of a Conditional Zoning District27
Subpart C. Special Mixed Use District
 §200A-49. Mixed Use District (MU).....28
Subpart D. Overlay Districts
 §200A-50. Overlay Districts Established.....31
 §200A-51. Airport Overlay District (AI) (Reserved)31
 §200A-52. Corridor Overlay District (Reserved)31
 §200A-53. Reserved.....31
 §200A-54. Reserved.....31
 §200A-55. Reserved.....31
 §200A-56. Reserved.....31
 §200A-57. Reserved.....31
 §200A-58. Water Supply Watershed Protection Overlay District (WP)31
Subpart E. Table of Permitted and Special Uses
 §200A-59. Table of Permitted and Special Uses45
Subpart F. Supplemental Requirements to the Table of Permitted and Special Uses
 §200A-60. Supplemental Requirements to the Table of Permitted Uses.....51
 §200A-61. Reserved.....113
 §200A-62. Reserved.....113
 §200A-63. Reserved.....113
 §200A-64. Reserved.....113
 §200A-65. Reserved.....113
 §200A-66. Reserved.....113
 §200A-67. Reserved.....113
 §200A-68. Reserved.....113
 §200A-69. Reserved.....113
 §200A-70. Reserved.....113

ARTICLE III. SUBDIVISION REGULATIONS
Subpart A. Subdivision General Regulations
 §200A-71. Purpose.....115
 §200A-72. Comprehensive Plan115
 §200A-73. Approval for Subdivision Plats115
 §200A-74. Subdivision Types.....116
 §200A-75. Minor Subdivisions.....116
 §200A-76. Nonstandard Subdivisions118

§200A-77. Major Subdivisions 118

§200A-78. Affordable Housing Subdivisions (Reserved) 131

§200A-79. Reserved..... 131

§200A-80. Reserved..... 131

§200A-81. Reserved..... 131

§200A-82. Conservation Subdivisions (Option)..... 131

Subpart B. Subdivision Improvement Guarantees

§200A-83. General..... 135

§200A-84. Amount and Terms of Guarantee; Time Limits..... 136

§200A-85. Reserved..... 136

§200A-86. Reserved..... 136

§200A-87. Reserved..... 136

Subpart C. Application, Enforcement and Legal Status Provisions

§200A-88. Designation of Agent 136

§200A-89. Fees 136

§200A-90. Approval Prerequisite to Plat Recordation 137

§200A-91. Certification of Exemptions..... 137

§200A-92. Plat Approval Required for Building Permit 137

§200A-93. Land Auctions..... 137

§200A-94. Limitation on Applications Pending..... 137

§200A-95. Violations and Penalties..... 137

§200A-96. Reserved..... 137

§200A-97. Reserved..... 137

§200A-98. Reserved..... 137

§200A-99. Reserved..... 138

§200A-100. Reserved..... 138

ARTICLE IV. ADEQUATE PUBLIC FACILITIES REGULATIONS (Reserved)

§200A-101. Reserved..... 139

§200A-102. Reserved..... 139

§200A-103. Reserved..... 139

§200A-104. Reserved..... 139

§200A-105. Reserved..... 139

§200A-106. Reserved..... 139

§200A-107. Reserved..... 139

§200A-108. Reserved..... 139

§200A-109. Reserved..... 139

§200A-110. Reserved..... 139

§200A-111. Reserved..... 139

§200A-112. Reserved..... 139

§200A-113. Reserved..... 139

§200A-114. Reserved..... 139

§200A-115. Reserved..... 139

§200A-116. Reserved..... 139

§200A-117. Reserved..... 139

§200A-118. Reserved..... 139

§200A-119. Reserved.....	139
§200A-120. Reserved.....	139
§200A-121. Reserved.....	139
§200A-122. Reserved.....	139
§200A-123. Reserved.....	139
§200A-124. Reserved.....	139
§200A-125. Reserved.....	139
§200A-126. Reserved.....	139
§200A-127. Reserved.....	139
§200A-128. Reserved.....	139
§200A-129. Reserved.....	139
§200A-130. Reserved.....	139

ARTICLE V. LANDSCAPE DESIGN STANDARDS

§200A-131. General.....	141
Subpart A. Buffer Requirements	
§200A-132. General.....	141
§200A-133. Buffer Determination.....	141
§200A-134. Plant Material.....	141
§200A-135. Plant Material Placement.....	142
Subpart B. Parking Lot Landscaping Standards	
§200A-136. General.....	142
§200A-137. Plant Material Placement.....	142
§200A-138. Planting Strip.....	142
§200A-139. Parking Island.....	143
§200A-140. Non-Curbed Parking Lot.....	143
Subpart C. Street Tree Requirements (Major Subdivisions)	
§200A-141. General.....	143
§200A-142. Plant Material.....	143
§200A-143. Plant Material Placement.....	144
Subpart D. Screening and Fencing Requirements	
§200A-144. General.....	144
§200A-145. Plant Material Placement.....	144
§200A-146. Buffer Type and Screening.....	144
§200A-147. Screen Classification.....	144
Subpart E. General Landscaping Standards	
§200A-148. General.....	146
§200A-149. Plant Specifications.....	146
§200A-150. Credits for Preserving Existing Trees.....	147
§200A-151. Landscaping Improvement Guarantee.....	149
§200A-152. Alternative Compliance.....	149
§200A-153. Reserved.....	149
§200A-154. Reserved.....	149
§200A-155. Reserved.....	149
§200A-156. Reserved.....	149
§200A-157. Reserved.....	149

Subpart F. Landscaping Recommended Species List**ARTICLE VI. OFF-STREET PARKING AND LOADING STANDARDS****Subpart A. Off-Street Parking and Loading Standards**

§200A-158. General.....	155
§200A-159. Required Number of Spaces for Off-Street Parking.....	155
§200A-160. Design of Parking Areas.....	155
§200A-161. Placement of Parking.....	156
§200A-162. Off-Street Loading Required.....	157
§200A-163. Design of Off-Street Loading.....	158
§200A-164. Reserved.....	158
§200A-165. Reserved.....	158
§200A-166. Reserved.....	158
§200A-167. Reserved.....	158
§200A-168. Reserved.....	158

ARTICLE VII. SIGN REGULATIONS

§200A-169. General.....	159
-------------------------	-----

Subpart A. General Sign Standards

§200A-170. General.....	159
§200A-171. Prohibited Signs.....	159
§200A-172. Permit Requirements.....	159
§200A-173. Sign Placement.....	159
§200A-174. Sign Area Determination.....	160
§200A-175. Lighting Standards.....	161
§200A-176. Property Address Signs.....	161
§200A-177. Reserved.....	161
§200A-178. Reserved.....	161
§200A-179. Reserved.....	161
§200A-180. Reserved.....	161
§200A-181. Reserved.....	161

Subpart B. Exempt Sign Standards

§200A-182. General.....	161
§200A-183. Exempt Sign Standards.....	161

Subpart C. On-Premise Sign Standards

§200A-184. General.....	163
§200A-185. Residential Districts.....	163
§200A-186. Office, Institutional, and Commercial Districts.....	164
§200A-187. Industrial District.....	165

Subpart D. Off-Premise Sign Standards

§200A-188. General.....	166
§200A-189. Commercial and Industrial Districts, Urban Service Area.....	166
§200A-190. Reserved.....	167
§200A-191. Reserved.....	167
§200A-192. Reserved.....	167

Subpart E. Sign Maintenance

§200A-193. Sign Maintenance.....	167
§200A-194. Reserved.....	167
§200A-195. Reserved.....	167
§200A-196. Reserved.....	167

ARTICLE VIII. NATURAL RESOURCES**Subpart A. Flood Damage Prevention**

§200A-197. Authorization, Findings of Fact, Purpose and Objectives	169
§200A-198. Definitions (See Specific Definitions in Article XIV).....	170
§200A-199. General Provisions	170
§200A-200. Administration	172
§200A-201. Flood Hazard Reduction	184
§200A-202. Legal Status.....	191

Subpart B. Water Supply Watershed Protection

§200A-203. Statutory Authorization.....	191
§200A-204. Effect on Other Laws and Agreements.....	191
§200A-205. Purpose.....	191
§200A-206. Lands to Which This Subpart Applies	191
§200A-207. Designation of Watershed Administrator	192
§200A-208. Water Supply Watershed Map	192
§200A-209. Establishment of Watershed Protection Overlay District	192
§200A-210. Interpretation of Boundaries of the Water Supply Watershed Map	192
§200A-211. Establishment of Water Supply Watershed Permits	193
§200A-212. Application of Regulations	193
§200A-213. Subdivisions within the Water Supply Watershed.....	193
§200A-214. Exceptions.....	194
§200A-215. Monitoring Land Use Activities	194

Subpart C. Perennial and Intermittent Surface Water Buffers

§200A-216. Perennial and Intermittent Surface Water Buffers.....	194
--	-----

Subpart D. Protected Mountain Ridges

§200A-217. Protected Mountain Ridges.....	195
---	-----

Subpart E. Soil Erosion and Sedimentation Control

§200A-218. Purpose.....	199
§200A-219. Scope and Exclusions	199
§200A-220. Mandatory Standards for Land Disturbing Activity	201
§200A-221. Erosion and Sedimentation Control Plans	203
§200A-222. Basic Control Objectives	206
§200A-223. Design and Performance Standards	207
§200A-224. Stormwater Outlet Protection	208
§200A-225. Borrow and Waste Areas	209
§200A-226. Access and Haul Roads.....	209
§200A-227. Operations in Lakes or Natural Watercourses	209
§200A-228. Responsibility for Maintenance	210
§200A-229. Additional Measures	210

§200A-230. Existing Uncovered Areas210

§200A-231. Fees210

§200A-232. Plan and Permit Appeals.....211

§200A-233. Inspections and Investigations211

§200A-234. Penalties212

§200A-235. Injunctive Relief.....214

§200A-236. Restoration After Non-Compliance214

§200A-237. Severability214

§200A-238. Effective Date214

§200A-239. Reserved.....214

§200A-240. Reserved.....214

§200A-241. Reserved.....214

§200A-242. Reserved.....214

§200A-243. Reserved.....214

§200A-244. Reserved.....214

§200A-245. Reserved.....214

§200A-246. Reserved.....214

§200A-247. Reserved.....214

§200A-248. Reserved.....214

§200A-249. Reserved.....214

§200A-250. Reserved.....214

§200A-251. Reserved.....215

§200A-252. Reserved.....215

§200A-253. Reserved.....215

§200A-254. Reserved.....215

§200A-255. Reserved.....215

§200A-256. Reserved.....215

§200A-257. Reserved.....215

§200A-258. Reserved.....215

ARTICLE IX. NONCONFORMITIES

§200A-259. General.....217

§200A-260. Nonconforming Lots.....217

§200A-261. Nonconforming Structures.....217

§200A-262. Nonconforming Structures Containing Nonconforming Uses.....218

§200A-263. Nonconforming Uses219

§200A-264. Nonconforming Commercial and Industrial Uses/Structures within the former
Open Use (OU) Zoning District.....220

§200A-265. Reserved.....220

§200A-266. Reserved.....220

§200A-267. Reserved.....220

ARTICLE X. DECISION MAKING, ADMINISTRATIVE AND ADVISORY BODIES

§200A-268. Henderson County Board of Commissioners221

§200A-269. Henderson County Planning Board222

§200A-270. Henderson County Zoning Board of Adjustment223

§200A-271. Henderson County Watershed Review Board	224
§200A-272. Henderson County Flood Damage Prevention Board.....	226
§200A-273. Henderson County Technical Review Committee.....	227
§200A-274. Henderson County Zoning Administrator	228
§200A-275. Henderson County Communication Facilities Administrator.....	229
§200A-276. Henderson County Floodplain Administrator.....	229
§200A-277. Henderson County Manufactured Home Park Administrator	231
§200A-278. Henderson County Soil Erosion and Sedimentation Control Administrator	231
§200A-279. Henderson County Watershed Administrator	232
§200A-280. Reserved.....	233
§200A-281. Reserved.....	233
§200A-282. Reserved.....	233
§200A-283. Reserved.....	233
§200A-284. Reserved.....	233
§200A-285. Henderson County Planning Director	233
§200A-286. Henderson County Subdivision Administrator	234
§200A-287. Reserved.....	234
§200A-288. Reserved.....	234
§200A-289. Reserved.....	234
§200A-290. Reserved.....	234
§200A-291. Reserved.....	234

ARTICLE XI. REVIEW PROCESSES AND PROCEDURES

Subpart A. Site Plan Review and Approval

§200A-292. General.....	235
§200A-293. Communication Facility Site Plan Review	235
§200A-294. Manufactured Home Park (MHP) Site Plan Review	235
§200A-295. Minor Site Plan Review	236
§200A-296. Major Site Plan Review	236
§200A-297. Reserved.....	237
§200A-298. Reserved.....	237
§200A-299. Reserved.....	237

Subpart B. Soil Erosion and Sedimentation Control Plan Review and Approval

§200A-300. Soil Erosion and Sedimentation Control Plan Review and Approval	237
--	-----

Subpart C. Subdivision Review and Approval

§200A-301. General.....	237
§200A-302. Review for Minor and Nonstandard Subdivisions.....	237
§200A-303. Review for Major Residential Subdivisions and Conservation Subdivisions of Eleven (11) to Thirty-Four (34) Lots	238
§200A-304. Review for Major Residential Subdivisions and Conservation Subdivisions of Thirty-Five (35) or More Lots and any Commercial, Office Institutional, Industrial or Mixed-Use Subdivision	240
§200A-305. Master Plans.....	242
§200A-306. Development Plans	242
§200A-307. Final Plat Review.....	243

Subpart D. Amendment Processes	
§200A-308. General.....	244
§200A-309. Comprehensive Plan Amendments.....	244
§200A-310. Ordinance Amendments.....	246
Subpart E. Permit Approval Processes	
§200A-311. General.....	249
§200A-312. Category One (1) or Two (2) Communication Facility Permits.....	249
§200A-313. Category Three (3) Communication Facility Permits.....	251
§200A-314. Manufactured Home Park (MHP) Construction Permits.....	254
§200A-315. Manufactured Home Park (MHP) Completion of Improvements (COI) Permits	255
§200A-316. Sign Permits.....	256
§200A-317. Soil Erosion and Sedimentation Control Permits.....	257
§200A-318. Special Intensity Allocation (SIA).....	257
§200A-319. Special Use Permits.....	259
§200A-320. Temporary Use Permits.....	261
§200A-321. Water Supply Watershed Use Permits.....	262
§200A-322. Watershed Protection Compliance Permits.....	263
§200A-323. Zoning Permits.....	264
§200A-324. Reserved.....	265
§200A-325. Reserved.....	265
§200A-326. Reserved.....	265
Subpart F. Vested Rights	
§200A-327. General.....	265
§200A-328. Vested Rights.....	265
§200A-329. Common Law Vested Rights.....	267
Subpart G. Variances	
§200A-330. General.....	267
§200A-331. Variances.....	267
§200A-332. Variances (Watershed).....	269
Subpart H. Legislative and Quasi-Judicial Process Standards	
§200A-333. Legislative Process Standards.....	272
§200A-334. Quasi-Judicial Process Standards.....	274
§200A-335. Reserved.....	274
§200A-336. Reserved.....	274
§200A-337. Reserved.....	274
§200A-338. Reserved.....	274
§200A-339. Reserved.....	274
ARTICLE XII. ENFORCEMENT, VIOLATIONS, AND APPEALS	
§200A-340. Duties Regarding Enforcement.....	275
§200A-341. Violations.....	275
§200A-342. Appeals.....	276
§200A-343. Reserved.....	277
§200A-344. Reserved.....	277
§200A-345. Reserved.....	277

ARTICLE XIII. LEGAL STATUS

§200A-346. Conflict with other Laws279
§200A-347. Severability of Parts of Code279
§200A-348. Repeal of Existing Zoning279
§200A-349. Reserved.....279
§200A-350. Reserved.....279
§200A-351. Reserved.....279
§200A-352. Reserved.....279
§200A-353. Reserved.....279

ARTICLE XIV. DEFINITIONS

§200A-354. Definitions.....281

ARTICLE I GENERAL PROVISIONS

§00A-1. Title

This Chapter shall be known and may be cited as the “Land Development Code of Henderson County, North Carolina.”

§00A-2. Statutory Authority

This Chapter is adopted pursuant to the authority vested in Henderson County, North Carolina by the North Carolina General Statutes, particularly Chapter 153A, Article 18; Chapter 143, Article 21; Chapter 160A-383.1 (made applicable to counties by Chapter 153A-341.1); Chapter 153A-121 and Chapter 113A-209.

§00A-3. Purpose

These regulations have been adopted in accordance with the “Henderson County 2020 Comprehensive Plan,” as adopted and as may be amended, in order to promote the health, safety and general welfare of the community. These regulations are designed to: (1) provide adequate light and air; (2) prevent the overcrowding of land; (3) avoid undue concentration of the population; (4) lessen congestion on *roads*; (5) secure safety from fire, panic and dangers; and (6) facilitate the efficient and adequate provision of transportation, water, sewerage, *schools*, *parks* and other public requirements. The regulations shall be made with reasonable consideration, among other things, as to the character of the district and its peculiar suitability for particular *uses*, and with a view to conserving the value of *buildings* and encouraging the most appropriate *use* of land throughout the County. In addition, these regulations are made with reasonable consideration to expansion and development of incorporated areas within the County, so as to provide for their orderly growth and development. The *neighborhood* impact from certain *uses* will be mitigated through the *use* of general and development standards which provide the flexibility to impose a higher level of site-specific standards, dependent upon the degree of *neighborhood* impact.

§00A-4. Jurisdiction

Unless otherwise noted, the provisions of this Chapter shall apply to the unincorporated areas of Henderson County lying outside the extraterritorial jurisdiction of any municipality and the incorporated areas and extraterritorial jurisdiction of any city or town specifically requesting its enforcement by Henderson County upon the agreement of the Henderson County Board of Commissioners, both in accordance with the *use districts* shown on the *Zoning Map* titled the "Official Zoning Map of Henderson County, North Carolina" and subsequent amendments thereto. (In making such a request, the city or town must comply with the requirements of *NCGS* §160A-360). In no instance shall this Chapter apply to any area which is not duly established and identified as a zoning area as shown on the “Official Zoning Map of Henderson County, North Carolina.” Said map and all explanatory matter thereon accompany and are hereby made a part of this Chapter. This Chapter and Map shall be on file in the Office of the Commissioners.

§00A-5. Rules of Construction

- A. Meaning of Terms. Unless specifically defined in this Chapter the words and phrases used in this Chapter shall have their customary meanings or shall be as defined in a

standard dictionary. The specific definitions listed in Article XIV shall be applicable in all districts, unless specifically limited to particular districts or sections.

- B. Tense. Words used in the present tense include the future tense.
- C. Number. Words used in the singular number include the plural number and the plural number includes the singular number unless the context of the particular usage clearly indicates otherwise.
- D. Shall, Must, Will, May and Should. The words “shall,” “must” and “will” are mandatory in nature, implying an obligation or duty to comply with the particular provision. The word “may” is permissive in nature. The word “should” indicates that compliance is encouraged, but is not mandatory.
- E. Used and Occupied. The words "used" or "occupied" include the words "intended, designed or arranged to be used or occupied."
- F. Fractional Requirements. When any requirement of this Chapter results in a fraction of a unit, the fraction shall be disregarded.

§200A-6. Official Zoning Map

The “Official Zoning Map of Henderson County,” hereinafter the “Official Zoning Map” shall be maintained in the office of the *Zoning Administrator* of Henderson County. This map shall be available for inspection by interested *persons* during normal business hours of the *Zoning Administrator*. It shall be the duty of the *Zoning Administrator* to maintain said map and post any changes thereto as they may be made. The *Zoning Administrator* may distribute unofficial copies of the “Official Zoning Map,” hereinafter “*zoning map*,” to the general public for reference purposes. Official records shall be maintained in the office of the Board of Commissioners regarding any actions of the Commissioners to amend district boundaries and these maps and records shall constitute the only official description of the location of district boundaries.

§200A-7. Interpretation of District Boundaries

The following rules of interpretation shall be applicable to the *zoning map*:

- A. District Designation. A district name on the *zoning map* indicates the regulations pertaining to the district designated by that name, or abbreviation of same, and extending throughout the whole area bounded by the district boundary lines within which such name or abbreviation is shown, except as otherwise provided.
- B. District Boundary Determination. Where uncertainty exists as to the boundaries of any district, the following general rules of interpretation shall apply. It is the duty of the *Zoning Administrator* to interpret the location of district boundaries. Any *appeal* from an interpretation or finding of the *Zoning Administrator* may be taken to the Zoning Board of Adjustment as specified in Article XII. General rules of interpretation include:
 - (1) District boundaries indicated as approximately following:
 - a. The centerlines of *roads*, highways or *alleys* shall be construed to follow those centerlines;
 - b. Platted *lot* lines shall be construed as following those *lot* lines;

- c. The centerlines of streams, rivers or other bodies of water shall be construed to follow those centerlines; and
 - d. Railroad tracks shall be construed to be centerline of the main track(s).
- (2) District boundaries indicated as approximately parallel to, perpendicular to or extensions of features indicated in §200A-7 subsection B, items (1)a and (1)b above shall be so construed and at such distance therefrom as indicated on the *zoning map*. Distances not specifically indicated on the Official Zoning Map shall be determined by the scale of the map.

Where the *zoning map* shows a district boundary dividing a lot, the *lot* shall conform to the requirements established by this Article for the most restrictive district in which that part is located.

§200A-8. Compliance

No *building*, premises or *structure* shall be constructed, erected, placed, moved, modified, converted, occupied or maintained, and no land *use* shall be maintained, modified or commenced, except as authorized by this Chapter. All development within the County shall comply with the development standards identified by this Chapter. The most restrictive local, state or federal laws pertaining to the establishment and operation of a *use* shall apply.

§200A-9. Farm Exemption

Articles II, V, and VI shall in no way regulate, restrict, prohibit or otherwise deter any *use* of property for *agriculture*, *agritourism farm* or *bona fide farm*, and its related *uses* except that any *use* of such property for non-farm purposes shall be subject to this Chapter.

§200A-10. Location of a Nonresidential Use

Unless otherwise provided or implied by the context or description/definition of a *use*, nonresidential *uses* shall be deemed to be located (1) where the customer goes to receive the services and/or product offered by the *use*; and/or (2) where the product/merchandise/supplies/equipment/furniture or other personal property associated with the *use* is kept, stored or otherwise housed.

§200A-11. Relation to the Comprehensive Plan

The administration, enforcement and amendment of this Chapter shall be accomplished with consideration of recommendations presented in the documents comprising the “Henderson County 2020 Comprehensive Plan” hereinafter “*Comprehensive Plan*.”

§200A-12. Reserved

§200A-13. Reserved

§200A-14. Reserved

§200A-15. Reserved

§200A-16. Reserved

§200A-17. Reserved

§200A-18. Reserved

§200A-19. Reserved

§200A-20. Reserved

§200A-21. Reserved

DRAFT

ARTICLE II ZONING DISTRICT REGULATIONS

§200A-22. Application of Regulations

The regulations of this Article shall apply uniformly to each class or kind of *structure* or land located within any of the enumerated district classifications. Within the districts as established by this Chapter, the requirements as set forth in this Article shall be complied with in addition to any other general or specific requirements of this Chapter. Within the districts indicated on the Official Zoning Map, (1) no *structure* or land shall be used and no *structure* shall be erected or altered which is intended or designed to be used in whole or in part for any *use* other than those listed as permitted for that district in this Article, and (2) no *structure* shall be erected which does not adhere to the scale and dimensional requirements as permitted for that district in this Article. These requirements in no way relieve a *use* of having to meet all local, state and federal laws pertaining to the establishment and operation of that *use*.

Subpart A. General Use Zoning Districts

§200A-23. General Use Zoning Districts

General Use Zoning Districts are created to provide comprehensive land *use* regulations throughout the jurisdiction of this Chapter. There are ten (10) general use zoning districts (listed below) that provide for a variety of *uses* that are appropriate to the character of the individual districts throughout the jurisdiction of this Chapter. Within the general *use districts* indicated on the Official Zoning Map, no *structure* or land shall be used and no *structure* shall be erected or altered which is intended or designed to be used in whole or in part for any *use* other than those listed as permitted for that district in this Article.

- (1) Residential District One (R1)
- (2) Residential District Two (R2)
- (3) Residential District Two Manufactured Housing (R2MH)
- (4) Residential District Three (R3)
- (5) Office Institutional District (OI)
- (6) Local Commercial District (LC)
- (7) Community Commercial District (CC)
- (8) Regional Commercial District (RC)
- (9) General Commercial District (GC)
- (10) Industrial District (I)

§200A-24. General Use District Requirements

The General Use Districts established above shall comply with the general and specific requirements of this Chapter, and in particular shall comply with the following standards and requirements:

- A. **Density and Dimensional Requirements.** See §200A-27 through §200A-36 (Density and Dimensional Requirements).
- B. **Uses.** See §200A-59 (Table of Permitted and Special Uses).

- C. **Supplemental Use Requirements.** See §200A-60 (Supplemental Requirements to the Table of Permitted and Special Uses).
- D. **Accessory Uses and Structures.** See §200A-60 (Supplemental Requirements to the Table of Permitted and Special Uses), subsection 2 (*Accessory Uses*) and subsection 3 (*Accessory Structures*).
- E. **Subdivision Approval.** See Article III (Subdivision Regulations).
- F. **Landscaping and Buffering.** See Article V (Landscape Design Standards).
- G. **Parking and Loading.** See Article VI (Off-Street Parking and Loading Standards).
- H. **Signage.** See Article VII (Sign Regulations).
- I. **Permitting Procedures.** See Article XI (Review Processes and Procedures).

§200A-25. General Use Density and Dimensional Requirements

Each *use* shall, at a minimum, conform to the density and dimensional requirements of the general *use district* in which it is located. In some cases a specific *use* may be required to meet the Supplemental Requirements as set forth in §200A-60 (Supplemental Requirements). Sections 200A-27 through 200A-36 list the density and dimensional requirements for each respective zoning district.

§200A-26. Guide to Table of Permitted and Special Uses

- A. **Table of Permitted and Special Uses.** The Table of Permitted and Special Uses (see §200A-59) contains a listing of *uses* which may be permitted in one or more of the various Zoning Districts established by this Chapter. *Uses* are listed in alphabetical order in 13 functional categories. The categories in the order of listing are:
 - (1) Residential Uses
 - (2) *Accessory Uses*
 - (3) *Accessory Structures*
 - (4) Recreational Uses
 - (5) Educational and Institutional Uses
 - (6) Business, Professional and Personal Services
 - (7) Retail Trade
 - (8) *Wholesale Trade*
 - (9) Transportation, Warehousing, and Utilities
 - (10) Manufacturing and Industrial Facilities
 - (11) *Temporary Uses*
 - (12) *Temporary Structures*
 - (13) Agricultural Uses
- B. **Entries.** The District(s) in which a particular listed *use* may be permitted is indicated by a "P" or "S" in the column(s) opposite the listed *use*.
- C. **Meaning of Entries.** The meaning of the entries in the Table are as follows:
 - 1. "P" indicates the *use* is permitted by right and a *zoning permit* may be obtained.
 - 2. "S" indicates the *use* requires approval of a Special Use Permit in accordance with the procedures of §200A-319 (Special Use Permits).
 - 3. The column on the far right labeled "SR" (Supplemental Requirements) means that there are special additional performance requirements that the *use* must comply with in its development. These requirements are contained in §200A-60

(Supplemental Requirements to the Table of Permitted and Special Uses). For any *use* subject to a Supplemental Requirement, the Supplemental Requirement shall represent the minimum conditions for issuance of a *Zoning Permit* or a Special Use Permit.

DRAFT

§200A-27. Residential District One (R1)

- A. **Purpose.** The purpose of Residential District One (R1) is to foster orderly growth where the *principal use* of land is residential. The intent of this district is to allow for medium to high density *residential development* consistent with the recommendations of the *Comprehensive Plan*. This general *use district* is typically meant to be utilized in areas designated as Urban in the *Comprehensive Plan*.
- B. **Density and Dimensional Requirements.** Each *use* allowed in this district shall, at a minimum, conform to the following requirements (in the case of a nonresidential *use* the *residential density* requirements shall not apply). In some cases a specific *use* may be required to meet the Supplemental Requirements as set forth in §200A-60 (Supplemental Requirements).

Table 2.1. R1 Density and Dimensional Requirements			
(1) Residential Density (units/acre)		(2) Standard	4
		(3) Maximum	16
(4) Yard Setbacks (feet)	Front or Right-of-Way (ROW)	<i>Local</i>	15
		<i>Collector</i>	20
		<i>Thoroughfare</i>	35
		<i>Boulevard</i>	50
		<i>Expressway</i>	60
		<i>Freeway</i>	90
		<i>Side</i>	10
		<i>Rear</i>	10
		(5) Maximum Height (feet)	35

(1) Residential density shall be calculated utilizing the entire acreage of a tract of land. Under this scenario, residential density shall be determined based on the following formula:

$$\text{Lot size} \times \text{allowable units per acre} = \text{permitted dwelling units}$$

The following example assumes a 5 acre tract with an allowable density of 4 units/acre:

$$5 \text{ acres} \times 4 \text{ units per acre} = \underline{\mathbf{20 \text{ permitted dwelling units}}}$$

- (2) Standard residential density shall be applied:
 - a. On a lot existing at the time of the initial adoption of this Chapter, where there is not adequate area to comply with the applicable standard residential density requirement;
 - b. To single-family residential uses; and
 - c. To multifamily residential uses with fewer than five (5) units.
- (3) Maximum residential density shall be available to multifamily developments as detailed in §200A-60 (Supplemental Requirements) SR 1.6. (Dwelling, Multifamily, Five (5) or More Units), provided such developments are generally served by public or private utility systems which meet the requirements of the

Henderson County Department of Environmental Health or other governmental authorities having jurisdiction thereof.

- (4) Residential *accessory structures* shall be located in *side* or *rear yards* and shall be *setback* a minimum of ten (10) feet from any property line.
- (5) Maximum height may be exceeded in multifamily developments as detailed in §200A-60 (Supplemental Requirements) SR 1.6. (Dwelling, Multifamily, Five (5) or More Units), provided such developments do not exceed 50 feet in height.

DRAFT

§200A-28. Residential District Two (R2)

- A. **Purpose.** The purpose of Residential District Two (R2) is to foster orderly growth where the *principal use* of land is residential. The intent of this district is to allow for low to medium density *residential development* consistent with the recommendations of the *Comprehensive Plan*. It is also the intent of this district to allow for flexibility in the continuation of existing nonresidential *uses*. This general *use district* is typically meant to be utilized in areas designated as Transitional in the *Comprehensive Plan*.
- B. **Density and Dimensional Requirements.** Each *use* allowed in this district shall, at a minimum, conform to the following density and dimensional requirements (in the case of a nonresidential use the *residential density* requirements shall not apply). In some cases a specific *use* may be required to meet the Supplemental Requirements as set forth in §200A-60 (Supplemental Requirements).

(1) Residential Density (units/acre)		(2) Standard	1
		(3) Maximum	2
(4) Yard Setbacks (feet)	Front or ROW	Local	15
		Collector	20
		Thoroughfare	35
		Boulevard	50
		Expressway	60
		Freeway	90
		Side	10
		Rear	10
(5) Maximum Height (feet)			35

(1) Residential density shall be calculated utilizing the entire acreage of a tract of land. Under this scenario, residential density shall be determined based on the following formula:

$$\text{Lot size} \times \text{allowable units per acre} = \text{permitted dwelling units}$$

The following example assumes a 5 acre tract with an allowable density of 1 unit/acre:

$$5 \text{ acres} \times 1 \text{ unit per acre} = \underline{\mathbf{5 \text{ permitted dwelling units}}}$$

- (2) Standard residential density shall be applied:
 - a. On a lot existing at the time of the initial adoption of this Chapter, where there is not adequate area to comply with the applicable standard residential density requirement;
 - b. To single-family residential uses; and
 - c. To multifamily residential uses with fewer than five (5) units.
- (3) Maximum residential density shall be available to multifamily developments as detailed in §200A-60 (Supplemental Requirements) SR 1.6. (Dwelling,

Multifamily, Five (5) or More Units), provided such developments are generally served by public or private utility systems which meet the requirements of the Henderson County Department of Environmental Health or other governmental authorities having jurisdiction thereof.

- (4) Residential *accessory structures* shall be located in *side* or *rear yards* and shall be *setback* a minimum of ten (10) feet from any property line.
- (5) Maximum height may be exceeded in multifamily developments as detailed in §200A-60 (Supplemental Requirements) SR 1.6. (Dwelling, Multifamily, Five (5) or More Units), provided such developments do not exceed 50 feet in height.

DRAFT

§200A-29. Residential District Two Manufactured Housing (R2MH)

- A. **Purpose.** The purpose of Residential District Two Manufactured Housing (R2MH) is to foster orderly growth where the *principal use* of land is residential. The intent of this district is to allow for low to medium density *residential development*, with the inclusion of manufactured housing, consistent with the recommendations of the *Comprehensive Plan*. This general *use district* is typically meant to be utilized in areas designated as Transitional in the *Comprehensive Plan*.
- B. **Density and Dimensional Requirements.** Each *use* allowed in this district shall, at a minimum, conform to the following requirements (in the case of a nonresidential *use* the *residential density* requirements shall not apply). In some cases a specific *use* may be required to meet the Supplemental Requirements as set forth in §200A-60 (Supplemental Requirements).

Table 2.3. R2MH Density and Dimensional Requirements			
(1) <i>Residential Density</i> (units/acre)		(2) Standard	1
		(3) Maximum	2
(4) <i>Yard Setbacks</i> (feet)	<i>Front</i> or <i>ROW</i>	<i>Local</i>	15
		<i>Collector</i>	20
		<i>Thoroughfare</i>	35
		<i>Boulevard</i>	50
		<i>Expressway</i>	60
		<i>Freeway</i>	90
	<i>Side</i>	10	
	<i>Rear</i>	10	
(5) Maximum Height (feet)			35

- (1) *Residential density* shall be calculated utilizing the entire acreage of a *tract* of land. Under this scenario, *residential density* shall be determined based on the following formula:

$$\text{Lot size} \times \text{allowable units per acre} = \text{permitted dwelling units}$$

The following example assumes a 5 acre tract with an allowable density of 1 unit/acre:

$$5 \text{ acres} \times 1 \text{ unit per acre} = \underline{\underline{5 \text{ permitted dwelling units}}}$$

- (2) Standard *residential density* shall be applied:
 - a. On a *lot* existing at the time of the initial adoption of this Chapter, where there is not adequate area to comply with the applicable standard *residential density* requirement;
 - b. To single-family residential *uses*; and
 - c. To multifamily residential *uses* with fewer than five (5) units.
- (3) Maximum *residential density* shall be available to multifamily developments as detailed in §200A-60 (Supplemental Requirements) SR 1.6. (Dwelling, Multifamily, Five (5) or More Units), provided such developments are generally

served by public or private utility systems which meet the requirements of the Henderson County Department of Environmental Health or other governmental authorities having jurisdiction thereof.

- (4) Residential *accessory structures* shall be located in *side or rear yards* and shall be *setback* a minimum of ten (10) feet from any property line.
- (5) Maximum height may be exceeded in multifamily developments as detailed in §200A-60 (Supplemental Requirements) SR 1.6. (Dwelling, Multifamily, Five (5) or More Units), provided such developments do not exceed 50 feet in height.

DRAFT

§200A-30. Residential District Three (R3)

- A. **Purpose.** The purpose of Residential District Three (R3) is to foster orderly growth where the *principal use* of land is low density residential. The intent of this district is to allow for *residential development* consistent with the recommendations of the *Comprehensive Plan*. This general *use district* is typically meant to be utilized in areas designated as Rural in the *Comprehensive Plan*.
- B. **Density and Dimensional Requirements.** Each *use* allowed in this district shall, at a minimum, conform to the following requirements (in the case of a nonresidential *use* the *residential density* requirements shall not apply). In some cases a specific *use* may be required to meet the Supplemental Requirements as set forth in §200A-60 (Supplemental Requirements).

Table 2.4. R3 Density and Dimensional Requirements			
(1) <i>Residential Density</i> (units/acre)		0.66 (1 unit/1.5 acres)	
(2) <i>Yard Setbacks</i> (feet)	Front or ROW	<i>Local</i>	15
		<i>Collector</i>	20
		<i>Thoroughfare</i>	35
		<i>Boulevard</i>	50
		<i>Expressway</i>	60
		<i>Freeway</i>	90
	<i>Side</i>	15	
	<i>Rear</i>	15	
Maximum Height (feet)		35	

(1) *Residential density* shall be calculated utilizing the entire acreage of a *tract* of land. Under this scenario, *residential density* shall be determined based on the following formula:

Lot size x allowable units per acre = permitted *dwelling units*

The following example assumes a 5 acre tract with an allowable density of 0.66 units/acre:

5 acres x .66 units per acre = **3 permitted dwelling units**

Residential density shall be applied:

- a. On a *lot* existing at the time of the initial adoption of this Chapter, where there is not adequate area to comply with the applicable standard *residential density* requirement;
 - b. To single-family residential *uses*; and
 - c. To multifamily residential *uses* with fewer than five (5) units.
- (2) *Residential accessory structures* shall be located in *side* or *rear yards* and shall be *setback* a minimum of ten (10) feet from any property line.

§200A-31. Office Institutional District (OI)

- A. **Purpose.** The purpose of the Office Institutional District (OI) is to foster orderly growth where the *principal use* of land is a mixture of *office, institutional,* and residential. The intent of this district is to allow for office, institutional and *residential development* consistent with the recommendations of the *Comprehensive Plan*. In accordance with the *Comprehensive Plan*, the district will allow for and provide *office, institutional,* and *residential development* that: (1) is directed largely to Community Service Centers as defined in the *Comprehensive Plan*; (2) is compatible with adjacent development and the surrounding community; and (3) will minimize congestion and sprawl.
- B. **Density and Dimensional Requirements.** Each *use* allowed in this district shall at a minimum conform to the following requirements (in the case of a nonresidential *use* the *residential density* requirements shall not apply). In some cases a specific *use* may be required to meet the Supplemental Requirements as set forth in §200A-60 (Supplemental Requirements).

(1) <i>Residential Density</i> (units/acre)	(2) Standard	4	
	(3) Maximum	16	
<i>Maximum Impervious Surface (%)</i>		80	
(4) <i>Yard Setbacks</i> (feet)	<i>Front or ROW</i>	<i>Local</i>	20
		<i>Collector</i>	25
		<i>Thoroughfare</i>	35
		<i>Boulevard</i>	45
		<i>Expressway</i>	55
		<i>Freeway</i>	60
		<i>Side</i>	10
		<i>Rear</i>	10
		Maximum Height (feet)	50

- (1) *Residential density* shall be calculated utilizing the entire acreage of a *tract* of land. Under this scenario, *residential density* shall be determined based on the following formula:

<p><i>Lot size</i> x allowable units per acre = permitted <i>dwelling units</i></p> <p>The following example assumes a 5 acre tract with an allowable density of 4 units/acre:</p> <p>5 acres x 4 units per acre = 20 permitted dwelling units</p>

- (2) Standard *residential density* shall be applied:
- a. On a *lot* existing at the time of the initial adoption of this Chapter, where there is not adequate area to comply with the applicable standard *residential density* requirement.
 - b. To single-family residential *uses*.

- (3) Maximum *residential density* shall be available to multifamily developments as detailed in §200A-60 (Supplemental Requirements) SR 1.6. (Dwelling, Multifamily, Five (5) or More Units), provided such developments are served by public or private utility systems which meet the requirements of the Henderson County Department of Environmental Health or other governmental authorities having jurisdiction thereof.
- (4) Residential *accessory structures* shall be located in *side* or *rear yards* and shall be *setback* a minimum of ten (10) feet from any property line.

DRAFT

§200A-32. Local Commercial District (LC)

- A. **Purpose.** The purpose of the Local Commercial District (LC) is to foster orderly growth where the *principal use* of land is commercial and residential. The intent of this district is to allow for *commercial development* consistent with the recommendations of the *Comprehensive Plan*. In accordance with the *Comprehensive Plan*, the district will allow for and provide *commercial and residential development* that: (1) includes a variety of retail sales and services, public and private administrations, offices and all other *uses* done primarily for sale or profit on a local or *neighborhood* scale; (2) is directed largely to Community Service Centers as defined in the *Comprehensive Plan*; (3) is compatible with adjacent development and the surrounding community; and (4) will minimize congestion and sprawl. This general *use district* is meant to be utilized in all service areas.
- B. **Density and Dimensional Requirements.** Each *use* allowed in this district shall at a minimum conform to the following requirements (in the case of a nonresidential *use* the *residential density* requirements shall not apply). In some cases a specific *use* may be required to meet the Supplemental Requirements as set forth in §200A-60 (Supplemental Requirements).

Table 2.6. LC Density and Dimensional Requirements			
(1) <i>Residential Density</i> (units/acre)	(2) Standard	4	
	(3) Maximum	16	
<i>Maximum Impervious Surface</i> (%)		80	
(4) Maximum <i>Floor Area</i> (sq ft)		30,000 or 10,000	
(5) <i>Yard Setbacks</i> (feet)	Front or ROW	<i>Local</i>	25
		<i>Collector</i>	25
		<i>Thoroughfare</i>	35
		<i>Boulevard</i>	45
		<i>Expressway</i>	55
		<i>Freeway</i>	60
	<i>Side</i>	10	
<i>Rear</i>		10	
Maximum Height (feet)		35	

- (1) *Residential density* shall be calculated utilizing the entire acreage of a *tract* of land. Under this scenario, *residential density* shall be determined based on the following formula:

Lot size x allowable units per acre = permitted *dwelling units*

The following example assumes a 5 acre tract with an allowable density of 4 units/acre:

5 acres x 4 units per acre = **20 permitted dwelling units**

- (2) Standard *residential density* shall be applied:

- a. On a *lot* existing at the time of the initial adoption of this Chapter, where there is not adequate area to comply with the applicable standard *residential density* requirement.
 - b. To single-family residential *uses*.
- (3) Maximum *residential density* shall be available to multifamily developments as detailed in §200A-60 (Supplemental Requirements) SR 1.6. (Dwelling, Multifamily, Five (5) or More Units), provided such developments are served by public or private utility systems which meet the requirements of the Henderson County Department of Environmental Health or other governmental authorities having jurisdiction thereof.
 - (4) Within a multi-tenant *structure/site*, one unit shall have a maximum *gross floor area* of 30,000 square feet. The maximum *gross floor area* for any other commercial *use* or single unit on a single *lot* within the project shall be 10,000 square feet. A maximum 80,000 total square feet for any multi-tenant *structure* shall apply.
 - (5) Residential *accessory structures* shall be located in *side* or *rear yards* and shall be *setback* a minimum of ten (10) feet from any property line.

DRAFT

§200A-33. Community Commercial District (CC)

- A. **Purpose.** The purpose of the Community Commercial District (CC) is to foster orderly growth where the *principal use* of land is commercial. The intent of this district is to allow for *commercial development* consistent with the recommendations of the *Comprehensive Plan*. In accordance with the *Comprehensive Plan*, the district will allow for and provide *commercial development* that: (1) includes a variety of retail sales and services, public and private administrations, offices and all other *uses* done primarily for sale or profit on the local and community level; (2) is directed largely to Community Service Centers as defined in the *Comprehensive Plan*; (3) is compatible with adjacent development and the surrounding community; and (4) will minimize congestion and sprawl. This general *use district* is meant to be utilized in areas designated as Transition or Urban in the *Comprehensive Plan*.
- B. **Density and Dimensional Requirements.** Each *use* allowed in this district shall at a minimum conform to the following requirements (in the case of a nonresidential *use* the *residential density* requirements shall not apply). In some cases a specific *use* may be required to meet the Supplemental Requirements as set forth in §200A-60 (Supplemental Requirements).

(1) <i>Residential Density</i> (units/acre)		16	
<i>Maximum Impervious Surface</i> (%)		80	
(2) <i>Maximum Floor Area</i> (sq ft)		80,000 or 30,000	
<i>Yard Setbacks</i> (feet)	<i>Front or ROW</i>	<i>Local</i>	20
		<i>Collector</i>	25
		<i>Thoroughfare</i>	35
		<i>Boulevard</i>	45
		<i>Expressway</i>	55
	<i>Freeway</i>	60	
		<i>Side</i>	10
	<i>Rear</i>	10	
<i>Maximum Height</i> (feet)		50	

(1) *Residential density* shall be calculated utilizing the entire acreage of a *tract* of land. Under this scenario, *residential density* shall be determined based on the following formula:

$$\text{Lot size} \times \text{allowable units per acre} = \text{permitted dwelling units}$$

The following example assumes a 5 acre tract with an allowable density of 16 units/acre:

$$5 \text{ acres} \times 16 \text{ units per acre} = \mathbf{80 \text{ permitted dwelling units}}$$

- (2) Within a multi-tenant *structure/site*, one unit shall have a maximum *gross floor area* of 80,000 square feet. The maximum *gross floor area* for any other commercial *use* or single unit on a single *lot* within the project shall be 30,000 square feet.

DRAFT

§200A-34. Regional Commercial District (RC)

- A. **Purpose.** The purpose of the Regional Commercial District (RC) is to foster orderly growth where the *principal use* of land is commercial. The intent of this district is to allow for *commercial development* consistent with the recommendations of the *Comprehensive Plan*. In accordance with the *Comprehensive Plan*, the district will allow for and provide *commercial development* that: (1) includes a variety of retail sales and services, public and private administrations, offices and all other *uses* done primarily for sale or profit on the local, community, and regional level; (2) is directed largely to Community Service Centers as defined in the *Comprehensive Plan*; (3) is compatible with adjacent development and the surrounding community; and (4) will minimize congestion and sprawl. This general *use district* is meant to be utilized in areas designated as Urban in the *Comprehensive Plan*.
- B. **Density and Dimensional Requirements.** Each *use* allowed in this district shall at a minimum conform to the following requirements (in the case of a nonresidential *use* the *residential density* requirements shall not apply). In some cases a specific *use* may be required to meet the Supplemental Requirements as set forth in §200A-60 (Supplemental Requirements).

Table 2.8. RC Density and Dimensional Requirements			
(1) Residential Density (units/acre)		16	
Maximum Impervious Surface (%)		80	
(2) Maximum Floor Area (sq ft)		Unlimited	
Yard Setbacks (feet)	Front or ROW	Local	15
		Collector	30
		Thoroughfare	40
		Boulevard	50
		Expressway	50
		Freeway	60
	Side	10	
	Rear	10	
Maximum Height (feet)		50	

- (1) *Residential density* shall be calculated utilizing the entire acreage of a *tract* of land. Under this scenario, *residential density* shall be determined based on the following formula:

$$\text{Lot size} \times \text{allowable units per acre} = \text{permitted dwelling units}$$

The following example assumes a 5 acre tract with an allowable density of 16 units/acre:

$$5 \text{ acres} \times 16 \text{ units per acre} = \underline{\underline{80 \text{ permitted dwelling units}}}$$

- (2) Within a multi-tenant *structure/site*, one unit shall have a maximum *gross floor area* of 80,000 square feet. The maximum *gross floor area* for any other commercial *use* or single unit on a single *lot* within the project shall be 30,000 square feet.

DRAFT

§200A-35. General Commercial District (GC)

- A. **Purpose.** The purpose of the General Commercial District (GC) is to foster orderly growth where the *principal use* of land is commercial. The intent of this district is to allow for *commercial development* in areas where there are existing businesses or along corridors that have been developed prior to the adoption of the *Comprehensive Plan*. The General Commercial District (GC) shall not be extended from the locations designated on the Official Zoning Map, nor shall new General Commercial District (GC) areas be designated. The district will allow for the infill of commercial development in areas where reasonable, and which do not fall within a Community Service Center. These districts shall be permitted only in situations where the development will not significantly contribute to congestion and sprawl. This general *use district* is meant to be utilized in areas designated as Urban.
- B. **Density and Dimensional Requirements.** Each *use* allowed in this district shall at a minimum conform to the following requirements. In some cases a specific *use* may be required to meet the Supplemental Requirements as set forth in §200A-60 (Supplemental Requirements).

Table 2.9. GC Density and Dimensional Requirements			
<i>Maximum Impervious Surface (%)</i>		80	
<i>Maximum Floor Area (sq ft)</i>		Unlimited	
<i>Yard Setbacks (feet)</i>	<i>Front or ROW</i>	<i>Local</i>	15
		<i>Collector</i>	30
		<i>Thoroughfare</i>	40
		<i>Boulevard</i>	50
		<i>Expressway</i>	50
		<i>Freeway</i>	60
	<i>Side</i>	10	
		<i>Rear</i>	20
<i>Maximum Height (feet)</i>		50	

§200A-36. Industrial District (I)

- A. **Purpose.** The purpose of the Industrial District (I) is to foster orderly growth where the *principal use* of land is a mixture of industrial and heavy commercial. The intent of this district is to allow for *industrial* and heavy *commercial development* consistent with the recommendations of the *Comprehensive Plan*. In accordance with the *Comprehensive Plan*, the district will allow for and provide *industrial* and heavy *commercial development* that: (1) is compatible with adjacent development and the surrounding community; (2) will minimize conflict between land *uses*; and (3) is sensitive to its impact on surrounding land *uses* and the environment (natural and man-made).
- B. **Density and Dimensional Requirements.** Each *use* allowed in this district shall at a minimum conform to the following requirements. In some cases a specific *use* may be required to meet the Supplemental Requirements as set forth in §200A-60 (Supplemental Requirements).

<i>Maximum Impervious Surface (%)</i>		80	
<i>Maximum Floor Area (sq ft)</i>		Unlimited	
<i>Yard Setbacks (feet)</i>	<i>Front or ROW</i>	<i>Local</i>	20
		<i>Collector</i>	30
		<i>Thoroughfare</i>	40
		<i>Boulevard</i>	50
		<i>Expressway</i>	50
		<i>Freeway</i>	60
		<i>Side</i>	20
		<i>Rear</i>	20
<i>Maximum Height (feet)</i>		72	

§200A-37. Reserved

§200A-38. Reserved

§200A-39. Reserved

§200A-40. Reserved

§200A-41. Reserved

Subpart B. Conditional Zoning Districts

§200A-42. Conditional Zoning Districts Established

Conditional Zoning Districts are created for the purpose of providing an optional rezoning choice where the owner of property proposes to rezone property and, in order to, among other reasons, carry out the purposes of the *Comprehensive Plan*, proposes to impose special limitations and conditions on the *use* of the property proposed for rezoning.

Conditional Zoning Districts are zoning districts in which the development and *use* of the property is subject to predetermined Chapter standards and the rules, regulations, and conditions imposed as part of the legislative decision creating the district and applying it to each individual development project. For each General Use Zoning District, there is a corresponding Conditional Zoning District (CD) which corresponds to each of the districts authorized by this Chapter as follows: R1-CD; R2-CD; R2MH-CD; R3-CD; OI-CD; LC-CD; CC-CD; RC-CD; GC-CD; I-CD; and MU-CD.

Certain types of zoning districts would be inappropriate at certain locations in the absence of special conditions. Some land *uses* are of a nature or scale that may have significant impacts on both the immediately surrounding area and the entire community, which cannot be predetermined or controlled by general district standards. There are also circumstances in which a general use district designation allowing such a *use* by right would not be appropriate for a particular property though the *use* could, if properly planned, be appropriate for the property consistent with the objectives of these regulations, the adopted *Comprehensive Plan*, and adopted district. The review process established in this section provides for the accommodation of such *uses* by a reclassification of property into a conditional zoning district, subject to specific conditions, which ensure compatibility of the *use* with the use and enjoyment of neighboring properties.

Where the *applicant* for rezoning desires property to be rezoned to such a district in such situations, the Conditional Zoning District is a means by which such special conditions can be imposed in the furtherance of the purpose of this Chapter and the recommendations of the *Comprehensive Plan*. The Conditional Zoning District classification will be considered for rezoning only with the consent of the property owner. If, for any reason, any condition imposed pursuant to these regulations is found to be illegal or invalid or if the *applicant* should fail to accept any condition, it is the intent of this Chapter that the authorization of such Conditional Zoning District shall be null and void and of no effect and that proceedings shall be instituted to rezone the property to its previous zoning classification.

§200A-43. Plans and Other Information to Accompany Petition

Property may be rezoned to a Conditional Zoning District only in response to, and consistent with, a petition submitted by the owners of all of the property to be included in the district. A petition for conditional zoning must include a *site plan*, drawn to scale, and supporting information and text that specifies the actual *use* or *uses* intended for the property and any rules, regulations and conditions that, in addition to all predetermined requirements, will govern the development and *use* of the property.

§200A-44. Approval of Conditional Zoning District

Conditional Zoning District decisions are a legislative process subject to judicial review using the same procedures and standard of review as applicable to general *use district* zoning

decisions. Conditional Zoning District decisions shall be made in consideration of identified relevant adopted land *use* plans for the area, including, but not limited to, the *Comprehensive Plan*, strategic plans, district plans, *small area plans*, *neighborhood* plans, corridor plans, and other land-use policy documents.

§200A-45. Conditions to Approval of Petition

In approving a petition for the reclassification of property to a Conditional Zoning District, the Planning Board may recommend, and the Board of Commissioners may request that reasonable and appropriate conditions be attached to the approval of the petition. Conditions and site-specific standards shall be limited to those that address the conformance of the development and *use* of the site to County ordinances and any officially adopted *Comprehensive Plan* or other land *use* plan, that address the impacts reasonably expected to be generated by the development or *use* of the site. Any such conditions should relate to the impact of the proposed *use* on surrounding property, support facilities (such as parking areas and *driveways*), pedestrian and vehicular circulation systems, *screening* and buffering areas, timing of development, *road* and *right-of-way* improvements, water and sewer improvements, *stormwater* drainage, provision of *open space*, and other matters that the Commissioners may find appropriate or the *applicant* may propose. Such conditions to approval of the petition may include dedication to the County, State or other public entity, as appropriate, of any *rights-of-way* or *easements* for *roads*, water, sewer, or other public utilities necessary to serve the proposed development. The *applicant* shall have a reasonable opportunity to consider and respond to any such conditions prior to final action by the Board of Commissioners. Only those conditions mutually approved by the Board of Commissioners and the *applicant* may be incorporated into the petition.

§200A-46. Effect of Approval

If a petition for conditional zoning is approved, the development and *use* of the property shall be governed by the existing Chapter requirements applicable to the district's category, the approved *site plan* for the district, and any additional approved rules, regulations, and conditions, all of which shall constitute zoning regulations for the approved district and are binding on the property as an amendment to these regulations and to the Official Zoning Map.

Only those *uses* and *structures* indicated in the approved petition and *site plan* shall be allowed on the subject property. A change of location of the *structures* may be authorized pursuant to §200A-47 (Alterations to Approval). Changes to the *site plan* layout shall not increase the number of *structures*.

Following the approval of the petition for a Conditional Zoning District, the subject property shall be identified on the Official Zoning Map by the appropriate district designation. A conditional zoning shall be identified by the same designation as the underlying general district followed by the letters "CD" (for example "OI-CD").

§200A-47. Alterations to Approval

Except as provided herein, changes to an approved petition or to the conditions attached to the approved petition shall be treated the same as amendments to these regulations or to the Official Zoning Map and shall be processed in accordance with the procedures of this Chapter.

The *Planning Director* or designee shall have the delegated authority to approve an amendment to an approved *site plan*. The standard for approving or denying such an amendment shall be that the change does not significantly alter the *site plan* or its conditions and that the change does not

have a significant impact upon abutting properties. Any decision must be in writing stating the grounds for approval or denial.

For *nonresidential development*, an increase in the intensity of the development is limited to ten (10) percent of the approved *structure* size or 1,000 square feet, whichever is less. For *residential development*, increases in density are limited to ten (10) percent of the development or no more than five (5) *dwelling units*, whichever is less.

The *Planning Director*, however, shall have the discretion to decline to exercise the delegated authority either because of uncertainty about approval of the change pursuant to the standard or because Board of Commissioner consideration and public hearing is deemed appropriate under the circumstances. If the *Planning Director* declines to exercise this authority, the *applicant* may request a map amendment as permitted by this Chapter.

§200A-48. Review of Approval of a Conditional Zoning District

It is intended that property shall be reclassified to a Conditional Zoning District only in the event of firm plans to develop the property. Therefore, no sooner than three (3) years after the date of approval of the petition, the Planning Board may examine the progress made toward developing the property in accordance with the approved petition and any conditions attached to the approval. If the Planning Board determines that progress has not been made in accordance with the approved petition and conditions, the Planning Board shall forward to the Board of Commissioners a report, which may recommend that the property be classified to another district.

Subpart C. Mixed Use District

§200A-49. Mixed Use District (MU)

The Mixed Use District (MU) is created to plan and promote *neighborhoods* that embody variety, innovation, and flexibility in development by allowing a variety of *uses*, *lot sizes*, *dwelling unit* types, and design requirements. MU districts are intended to be located in areas designated by the *Comprehensive Plan* as Transitional or Urban, and are required to utilize public or private utility systems. MU districts shall be considered Conditional Zoning Districts only. The intent of the MU district is to: (1) permit a creative approach to the development of land; (2) provide for an efficient *use* of land; (3) enhance the appearance of *neighborhoods* through preservation of natural features; and (4) provide for recreational areas and *open space* where appropriate.

- A. **Land Use Types and Ratios.** Within an approved MU district, land *uses* shall be allocated as indicated in Table 2.11. The *use* requirement may be satisfied by adjacent *existing development* that meets the requirements of this section.

Use	Land Allocation (% total area)	Maximum Density (units/acre)	Floor Area Ratio (<i>building footprint area</i> : <i>lot area</i>)	
			Minimum	Maximum
<i>Open space</i>	20-40	N/A	N/A	N/A
Single-Family Residential	25-60	5	N/A	N/A
Multifamily Residential	10-40	16	N/A	N/A
Civic	0-10	N/A	0.4	1.0
Retail/Office/Service(1)	5-25	N/A	0.4	1.0

- B. **Dimensional Requirements.** Each *use* allowed in this district shall, at a minimum, conform to the following dimensional requirements. In some cases a specific *use* may be required to meet the Supplemental Requirements as set forth in §200A-60 (Supplemental Requirements).
- (1) Dimensional requirements for single and multifamily residential *uses* shall be the same as those found in the R1 District.
 - (2) Dimensional requirements for recreational; educational; institutional; business, professional, and personal services; and retail *uses* shall be the same as those found in the LC District.
 - (3) Residential *accessory structures* shall be located in *rear* and *side yards* and shall be *setback* ten (10) feet from any property line.

C. General Provisions.

- (1) Site Plan. Major *Site Plan* required in accordance with §200A-296 (Major *Site Plan* Review).
- (2) Road Class. This *use* shall be located on a *collector, thoroughfare, boulevard* and/or *expressway*.
- (3) Nonresidential *uses* within the MU district shall be designed to serve residents of the MU district and nearby areas only. Large scale establishments and developments intended to serve the extended community are not encouraged an MU district.
- (4) Nonresidential *uses* that are contained in the MU district shall be limited to those nonresidential uses found in the OI, LC, and CC districts only.
- (5) A food store shall have a maximum *gross floor area* of 30,000 square feet. The maximum *gross floor area* for any other commercial *use* within the MU shall be 10,000 square feet.
- (6) All MU districts shall be approved as a Conditional Zoning District and shall adhere to a *site-specific development plan*.
- (7) A minimum of ten (10) acres is required for the establishment of an MU district. All lands in an MU district shall be under single ownership or management by the *applicant* as exhibited by a deed and/or legal title at the time of application and development of each *phase*. An MU district may include lands under joint or multiple ownership where the *applicants* seek such an MU district or the *Zoning Administrator* prescribes such status to him/her/them.
- (8) An MU district and a *subdivision* that occur simultaneously as one contiguous development shall adhere to the requirements of an MU district and conditional zoning district and shall also follow the review processes of a *major subdivision*.
- (9) MU districts may be developed in *phases*.
- (10) Pervious pavement shall be required for a minimum of 25 percent of all paved surfaces (*roads, parking areas, drives, sidewalks, etc.*) within an MU District.
- (11) All MU Districts shall adhere to the road standards required for a *major subdivision* in accordance with §200A-77 (Major Subdivision), Subsection C (Roads) and shall be organized:
 - a. To provide increased internal mobility;
 - b. To provide safe and convenient access;
 - c. In intersecting/grid patterns where possible; and
 - d. Without cul-de-sacs (except where topographical considerations/restrictions are submitted by the *applicant*).
- (12) In accordance with this Chapter, a *driveway* shall serve three (3) or fewer *dwelling units*. Within an approved MU district, a *driveway* may serve a four (4)

unit *building (quadraplex)*, but in no case shall a single *driveway* serve more than one (1) individual *quadraplex*.

(13) Where an MU district is located along any *road* with current public transit access and such public transit authority approves the addition of a stop, such MU district shall provide a minimum of one (1) public transit access shelter for the use of occupants/patrons.

(14) Utility lines within an MU district shall be subsurface.

(15) Solid waste collection systems must be installed and/or operated to meet all local and state statutes, ordinances and regulations and shall thereafter be certified by the Department of Public Health. Each MU district shall provide a suitable method of solid waste disposal (in accordance with Chapter 165 of the Henderson County Code, Solid Waste) and collection consisting of either private collection from individual *uses* or the *use* of dumpsters. Where dumpsters are used concrete pads shall be designed to drain to a bio-retention area to filter stormwater before the water reaches a larger drainage system, and a Screen Class One (1), Two (2), or Three (3) shall be provided consistent with the requirements of §200A-147 (Screen Classification).

(16) An MU district shall include *open space* in perpetuity (perpetual *easements* or deed restrictions are required) equivalent to 20 percent of all lands within the MU district. This designated *open space* area shall:

- a. Not include more than 50 percent in primary conservation areas; and
- b. Not be composed entirely of secondary conservation areas.

(17) Common Area Requirements. A *common area* shall be provided, that is equivalent to ten (10) percent of the total MU district. *Common area* shall be: accessible for the *use* and enjoyment of the MU district occupants/patrons, located as to be free of traffic hazards, and maintained in good condition by the *applicant*.

D. **Other Requirements.** Due to the comprehensive nature of an MU district, there are several sections that must be consulted. Please refer to the following sections for more information on each requirement of an MU district.

- (1) See Article III for information on *road* design and construction standards, pedestrian facility standards, water and sewer requirements, and *fire protection*.
- (2) See Article V for landscaping and buffering requirements.
- (3) See Article VI for off-street parking and loading requirements.
- (4) See §200A-60 (Supplemental Requirements) for each land *use*.
- (5) See Article VII for *sign* requirements.
- (6) See Article XI for permitting procedures.

Subpart D. Overlay Districts

§200A-50. Overlay Districts Established

Overlay Zoning Districts are established to provide special additional development standards for specially identified areas such as the *Water Supply Watershed*. Certain Overlay Zoning Districts are also available to allow flexibility in design for certain types of developments. Overlay Zoning Districts combine with the regulatory provisions of the underlying General or Conditional Zoning Districts to provide additional or alternative standards. The districts listed in this Subpart D generally apply a higher degree of regulation to affected properties. In order to become effective, individual overlay districts must be adopted on the *zoning map* as an addendum to the underlying zoning district through a public hearing process. Affected properties will be subject to the standards of both the overlay and underlying districts.

§200A-51. Airport Overlay District (AI) (Reserved)

§200A-52. Corridor Overlay District (Reserved)

§200A-53. Reserved

§200A-54. Reserved

§200A-55. Reserved

§200A-56. Reserved

§200A-57. Reserved

§200A-58. Water Supply Watershed Protection Overlay District (WP)

The purpose of the *Water Supply Watershed Protection Overlay District (WP)* is to define the area of *water supply watersheds* within the County. The intent of the overlay district is to manage the *uses* of land and *structures* encompassed by *water supply watersheds* within the County in order to maintain the high quality of surface water in these *watersheds*; this being accomplished by enforcing standards that limit the impact from existing or potential sources of contamination through the regulation of *lot size* and development intensity.

- A. Scope. Land *use* within the WP overlay district must comply with all the requirements of both the underlying general *use district* and the applicable *Water Supply Watershed* overlay district classification. If a *use* or class of *use* is not specifically indicated as being permitted in a *watershed* area, such *use* or class of *use* is prohibited.
- B. Establishment. This incorporates by reference the “Official Water Supply Watershed Map for Henderson County,” hereinafter “Official Water Supply Watershed Map,” and subsequent amendments thereto, showing all *water supply watershed* areas designated by the North Carolina Environmental Management Commission, hereinafter *NCEMC*. The Official Water Supply Watershed Map shall be maintained by the *Planning Director* and kept in the Planning Department. The water supply watershed map shall also be shown on and become part of the Official Zoning Map for the County. The rules of interpretation for the boundaries of the map (see §200A-210 (Interpretation of Boundaries of the Water Supply Watershed Map)) apply. In addition, where any WP overlay district boundaries lie at a scaled distance of more than 25 feet from any parallel *lot* line, the location of these map boundaries shall be determined by using the scale of the map.

C. Application of Regulations.

- (1) General Application. No *structure* or land shall hereafter be used and no development shall take place in the WP overlay district except in conformity with the regulations herein specified for the *watershed* sub-district in which it is located. All development must minimize built-upon surface area; direct stormwater away from surface waters; and incorporate *best management practices* to minimize water quality impacts. No area required for the purpose of complying with the provisions of this Article shall be included in the area required for another *building*.
- (2) Exceptions.
 - a. Existing Development. *Existing development* shall be subject to the regulations contained in 200A-122. Expansions to *structures* classified as “*existing development*” must meet the requirements of this subsection; however, the *built-upon area* of the *existing development* is not required to be included in density calculations.
 - b. Lots Created as Part of Any Ordinance. Any *lot* or parcel created as part of any *subdivision* that is exempt from the requirements of this Chapter shall be subject to the land *use* requirements (including *impervious surface* requirements) of this subsection, except that such *lot* or parcel must meet the minimum stream *buffer* requirements of §200A-212 (Application of Regulations) (C) (Perennial Stream Buffers) to the maximum extent practicable.
 - c. Cemetery Lots. The division of a *tract* into plots or *lots* used as a cemetery.

D. Sub-Districts and Sub-District Regulations.

- (1) General. The regulations of this subsection shall apply uniformly to each class or kind of *structure* or land located within any of the enumerated sub-district classifications. Within the sub-districts as established below, the requirements set forth in this subsection shall be complied with in addition to any other applicable general or special requirements of this Chapter.
- (2) Impact on Water Quality and Public Health. No activity, situation, *structure* or land *use* shall be allowed within a WP overlay sub-district that poses a threat to water quality and/or the public health, safety and welfare. Such conditions may arise from inadequate on-site sewage systems which utilize ground absorption; inadequate *sedimentation* and *erosion* control measures; the improper storage or disposal of *junk*, trash or other refuse within a *buffer* area; the improper management of *stormwater runoff*; or any other situation found to pose a threat to water quality. The *Watershed Administrator* shall monitor land *use* activities within the *watershed* areas to identify situations that may pose a threat to water quality. Where such activities are found, the *Watershed Administrator* shall take any appropriate action or proceeding to restrain, correct or abate the condition and/or *violation*.
- (3) Water Supply Watershed Protection Sub-Districts. The sub-districts include:

- a. WP-WS-I North Fork of Mills river and Bradley Creek Watershed Overlay Sub-District;
- b. WP-WS-II-CA Mills River Critical Area Watershed Overlay Sub-District;
- c. WP-WS-II-BW Colt Creek and Mills River Balance of the Watershed Overlay Sub-Districts;
- d. WP-WS-III-CA Lower Mills River Critical Area Watershed Overlay Sub-District;
- e. WP-WS-III-BW Lower Mills River Balance of Watershed Overlay Sub-District; and
- f. WP-WS-IV-PA Upper French Broad River Protected Area Watershed Overlay Sub-District.

Table 2.12 provides general information regarding sub-district *lot size* and *built-upon area* limitations.

Table 2.12. Water Supply Watershed Protection Sub-District Regulations on Lot Size and Built-Upon Area					
Sub-District	Minimum Lot Size (Square Feet)¹	Percent Built Upon Limits		Special Intensity Allocation	Natural Drainage and Filtering Bonus
	Single-Family Residential Limits	Multifamily Residential Development	Nonresidential Development		
WP-WS-I	NA	NA	NA	NA	NA
WP-WS-II-CA	80,000	6	6	NA	NA
WP-WS-II-BW	40,000	12	12	Yes	NA
WP-WS-III-CA	40,000	12	12	NA	NA
WP-WS-III-BW	20,000	24	24	Yes	NA
WP-WS-IV-PA (Drainage & Filtering Bonus)	20,000 (14,250)	24 (36)	24 (36)	Yes	Yes

¹ Calculated excluding *road right-of-way*, except in an approved *cluster development*

(4) WP-WS-I North Fork of Mills River and Bradley Creek *Watershed* Overlay Sub-District.

- a. Purpose. The intent of the WP-WS-I North Fork/Mills River and Bradley Creek *watershed* overlay sub-district is to provide maximum protection for water supplies within essentially natural and undeveloped *watersheds* in public ownership by allowing only low-intensity *uses*. No residential or nonresidential *uses* are allowed except those listed below. Impacts from nonpoint source pollution shall be minimized.
- b. Permitted Uses. The following *uses* are permitted in the WP-WS-I North Fork/Mills River and Bradley Creek *watershed* overlay sub-districts:

1. Agriculture. *Agriculture*, subject to the provisions of the Food Security Act of 1985 and the Food, Agriculture, Conservation and Trade Act of 1990 and all rules and regulations of the Soil and Water Conservation Commission.
 2. Silviculture. Silviculture, subject to the provisions of the Forest Practices Guidelines Related to Water Quality.
 3. Water Withdrawal, Treatment and Distribution Facilities.
 4. Restricted Road Access.
 5. Power Transmission Lines.
- c. Density and Built-Upon Limits. Additional density and *built-upon area* limits do not apply.
- (5) WP-WS-II-CA Mills River *Critical Area Watershed* Overlay Sub-District.
- a. Purpose. The intent of the WP-WS-II-CA Mills River *watershed* overlay sub-district is to maintain a predominately undeveloped land *use* intensity pattern allowing only very low-density developments.
 - b. Permitted Uses. The following *uses* are permitted in the WP-WS-II-CA Mills River *watershed* overlay sub-district:
 1. Agriculture. *Agriculture*, subject to the provisions of the Food Security Act of 1985 and the Food, Agriculture, Conservation and Trade Act of 1990 and all rules and regulations of the Soil and Water Conservation Commission.
 2. Silviculture. Silviculture, subject to the provisions of the Forest Practices Guidelines Related to Water Quality.
 3. Residential Development.
 4. Nonresidential Development. *Nonresidential development*, excluding *landfills* and sites for land application of *residuals* or petroleum-contaminated soils.
 - c. Density and Built-Upon Limits.
 1. Single-Family Residential Development. Single-family residential development shall not exceed one (1) *dwelling unit* per 80,000 square feet of *lot size* on a project-by-project basis. No residential *lot* shall be less than 80,000 square feet, excluding *road right-of-way*, except within an approved *cluster development*.
 2. Multifamily Residential Development. All multifamily residential development shall not exceed six (6) percent *built-upon area* on a project-by-project basis. For the purpose of calculating *built-upon area*, total project area shall include total acreage in the *tract* on which the project is to be developed.
 3. Nonresidential Development. All *nonresidential development* shall not exceed six (6) percent *built-upon area* on a project-by-project

basis. For the purpose of calculating *built-upon area*, total project area shall include total acreage in the *tract* on which the project is to be developed.

(6) WP-WS-II-BW Colt Creek and Mills River Balance of *Watershed* Overlay Sub-Districts.

- a. Purpose. The purpose of the WP-WS-II-BW Colt Creek and Mills River *watershed* overlay sub-district is to maintain a predominately undeveloped land *use* intensity. Projects in this sub-district must, to the maximum extent practicable, minimize built-upon surface area; direct stormwater away from surface waters; and incorporate *best management practices* to minimize water quality impacts.
- b. Permitted Uses. (NOTE: Approved *uses* requiring a state *NPDES* permit for point-source discharges should consult the NCDEM regarding the restrictions applicable in the *watershed*).
 1. Agriculture. *Agriculture*, subject to the provisions of the Food Security Act of 1985 and the Food, Agricultural, Conservation and Trade Act of 1990.
 2. Silviculture. *Silviculture*, subject to the provisions of the Forest Practices Guidelines Related to Water Quality (15 *NCAC* 11.6101-0209).
 3. Residential Development.
 4. Nonresidential Development. *Nonresidential development* excluding discharging *landfills*.
 5. Other. *Nondischarging landfills, residuals* application sites and sludge application sites.
- c. Density and Built-Upon Limits.
 1. Single-Family Residential Development. Single-family development shall not exceed one (1) *dwelling unit* per 40,000 square feet excluding *road right-of-way*, except within an approved *cluster development*.
 2. Multifamily Residential Development. All multifamily residential development shall not exceed 12 percent *built-upon area* on a project-by-project basis. For the purpose of calculating *built-upon area*, total project area shall include total acreage in the *tract* on which the project is to be developed.
 3. Nonresidential Development. All *nonresidential development* shall not exceed 12 percent *built-upon area* on a project-by-project basis. For the purpose of calculating *built-upon area*, total project area shall include total acreage in the *tract* on which the project is to be developed.

4. All Other Residential and Nonresidential Development. All other residential and *nonresidential development* shall not exceed 12 percent *built-upon area* on a project by project by project basis, except that up to 10 percent of the balance of the *watershed* may be developed at up to 70 percent *built-upon area* on a project by project basis as a Special Intensity Allocation (*SIA*) (see §200A-318 (Special Intensity Allocation (*SIA*))). The *Watershed Administrator* is authorized to approve *SIA*'s consistent with the provisions of this Chapter. For the purpose of calculating *built-upon area*, the total project area shall include total acreage in the *tract* on which the project is to be developed.

(7) WP-WS-III-CA Lower Mills River *Critical Area Watershed* Overlay Sub-District.

- a. Purpose. The purpose of the WP-WS-III-CA Lower Mills River *watershed* overlay sub-district is to maintain a predominantly undeveloped land *use* intensity pattern. New *residuals* application sites and *landfills* are specifically prohibited.
- b. Permitted Uses. The following *uses* are permitted in the WP-WS-III-CA Lower Mills River *watershed* overlay sub-district:
 1. Agriculture. *Agriculture*, subject to the provisions of the Food Security Act of 1985 and the Food, Agriculture, Conservation and Trade Act of 1990 and all rules and regulations of the Soil and Water Conservation Commission.
 2. Silviculture. *Silviculture*, subject to the provisions of the Forest Practices Guidelines Related to Water Quality.
 3. Residential Development.
 4. Nonresidential Development. *Nonresidential development*, excluding *landfills* and sites for land application of *residuals* or petroleum-contaminated soils.
- c. Density and Built-Upon Limits.
 1. Single-Family Residential Development. Single-family residential development shall not exceed one (1) *dwelling unit* per 40,000 square feet of *lot size* on a project-by-project basis. No residential *lot* shall be less than 40,000 square feet, excluding *road right-of-way*.
 2. Multifamily Residential Development. All multifamily residential development shall not exceed 12 percent *built-upon area* on a project-by-project basis. For the purposes of calculating *built-upon area*, total project area shall include total acreage in the *tract* on which the project is to be developed.
 3. Nonresidential Development. All *nonresidential development* shall not exceed 12 percent *built-upon area* on a project-by-project basis. For the purposes of calculating *built-upon area*, total project

area shall include total acreage in the *tract* on which the project is to be developed.

(8) WP-WS-III-BW Lower Mills River Balance of *Watershed* Overlay Sub-District.

- a. Purpose. The intent of the WP-WS-III-BW Lower Mills River *watershed* overlay sub-district is to maintain a predominantly underdeveloped land *use* intensity. Projects in this sub-district must, to the maximum extent practicable, minimize built-upon surface area; direct stormwater away from surface waters; and incorporate *best management practices* to minimize water quality impacts. *Nondischarging landfills* and *residuals* application sites are allowed.
- b. Permitted Uses. (NOTE: Approved *uses* requiring a state *NPDES* permit for point-source discharges should consult the NCDEM, regarding the restrictions applicable in the *watershed*).
 1. Agriculture. *Agriculture*, subject to the provisions of the Food Security Act of 1985 and the Food, Agricultural, Conservation and Trade Act of 1990.
 2. Silviculture. *Silviculture*, subject to the provisions of the Forest Practices Guidelines Related to Water Quality (15 NCAC 11.6101-0209).
 3. Residential Development.
 4. Nonresidential Development. *Nonresidential development* excluding leachate-discharging *landfills*.
- c. Density and Built-Upon Limits.
 1. Single-Family Residential Development. Single-family development shall not exceed one (1) *dwelling unit* per 20,000 square feet of *lot size* on a project-by-project basis. No residential *lot* shall be less than 20,000 square feet, excluding *road right-of-way*, except within an approved *cluster development*.
 2. Multifamily Residential Development. All multifamily residential development shall not exceed 24 percent *built-upon area* on a project-by-project basis. For the purpose of calculating *built-upon area*, total project area shall include total acreage in the *tract* on which the project is to be developed.
 3. Nonresidential Development. All *nonresidential development* shall not exceed 24 percent *built-upon area* on a project-by-project basis. For the purpose of calculating *built-upon area*, total project area shall include total acreage in the *tract* on which the project is to be developed.
 4. Additional New Development and Expansions to Existing Development. All other residential and *nonresidential development* shall not exceed 24 percent *built-upon area* on a project by project

by project basis, except that up to 10 percent of the balance of the *watershed* may be developed at up to 70 percent *built-upon area* on a project by project basis as a Special Intensity Allocation (SIA) (see §200A-318 (Special Intensity Allocation (SIA))). The *Watershed Administrator* is authorized to approve SIA's consistent with the provisions of this Chapter. For the purpose of calculating *built-upon area*, the total project area shall include total acreage in the *tract* on which the project is to be developed.

(9) WP-WS-IV-PA Upper French Broad River *Protected Area Watershed* Overlay Sub-District.

- a. Purpose. The intent of the WP-WS-IV-PA Upper French Broad River *watershed* overlay sub-district is to provide protection for water quality while accommodating moderate to high land *use* intensity.
- b. Permitted Uses. The following *uses* are permitted in the WP-WS-IV-PA Upper French Broad River *watershed* overlay sub-district:
 1. Agriculture. *Agriculture*, subject to the provisions of the Food Security Act of 1985 and the Food, Agricultural, Conservation and Trade Act of 1990.
 2. Silviculture. *Silviculture*, subject to the provisions of the Forest Practices Guidelines Related to Water Quality (15 NCAC 116101-0209).
 3. Residential Development.
 4. Nonresidential Development.
- c. Density and Built-Upon Limits. Unless qualifying for a bonus or subject to a *sedimentation* and *erosion* control exemption, permitted development in the WP-WS-IV-PA Upper French Broad River *watershed* overlay sub-district shall be subject to the following density and built-upon limits:
 1. Single-Family Residential Development. Single-family residential development shall not exceed one (1) *dwelling unit* per 20,000 square feet of *lot size*, as defined on a project-by-project basis, unless such development qualifies for a *natural drainage and filtering system* bonus (see d.1 below). No residential *lot* shall be less than 20,000 square feet, excluding *road right-of-way*, except within an approved *cluster development*, unless such *lot* qualifies for a *natural drainage and filtering system* bonus, in which case the *lot* shall not be less than one-third (1/3) acre (14,520 square feet).
 2. Multifamily Residential Development. All multifamily residential development shall not exceed 24 percent *built-upon area* on a project-by-project basis unless such development qualifies for a *natural drainage and filtering system* bonus (see d.1 below). For the purpose of calculating *built-upon area*, total project area shall

- include acreage in the *tract* on which the project is to be developed.
3. Nonresidential Development. All *nonresidential development* shall not exceed 24 percent *built-upon area* on a project-by-project basis unless such development qualifies for a *natural drainage and filtering system* bonus (see d.1 below). For the purpose of calculating *built-upon area*, total project area shall include acreage in the *tract* on which the project is to be developed.
 4. Additional New Development and Expansions to Existing Development. In addition to the development allowed in 1 and 2 above, new development and expansions to *existing development* may occupy up to 10 percent of the *protected area* with up to 70 percent *built-upon area* when approved as a special intensity allocation (*SIA*) (see §200A-318 (Special Intensity Allocation (*SIA*))). The *Watershed Administrator* is authorized to approve *SIA*'s consistent with the provisions of this Chapter. Projects must, to the maximum extent practicable, minimize built-upon surface area; direct stormwater away from surface waters; and incorporate *best management practices* to minimize water quality impacts.
- d. Natural Drainage and Filtering System Bonus. For projects implementing a *natural drainage and filtering system*, the project may be developed in accordance with the following density and built-upon limitations without the utilization of engineered stormwater controls.
1. Single-Family Residential Development. Single-family residential development shall not exceed three (3) *dwelling units* per acre (or one (1) *dwelling unit* per 14,250 square feet of *lot size*).
 2. Other Residential and Nonresidential Development. All other residential and *nonresidential development* shall not exceed 36 percent *built-upon area*.
 3. Regulation Limitations. If *stormwater runoff* is filtered naturally and is not passed by gutters, drains, pipes, paved swales or other similar conduits, qualification for a *natural drainage and filtering system* bonus shall not impose a more stringent requirement than, or the North Carolina *erosion and sedimentation* control permit requirements.
- e. Sedimentation and Erosion Control Exemption.
1. Qualifying Criteria. Development projects undertaken within a WP-WS-IV-PA Upper French Broad River *watershed* overlay sub-district may qualify for an exemption from the density and built-upon limits as set out in this section if the project meets all of the following criteria:
 - (a) Requirement for Sedimentation and Erosion Control Plan.
The development project does not require a *sedimentation*

and *erosion* control plan and permit under the rules and regulations promulgated by the North Carolina *Sedimentation* Control Commission.

- (b) Nonresidential. The development is nonresidential.
 - (c) Initial Development Activity. The development is the initial development activity on the project site or *tract* and is not an expansion of any improvements already existing on the project site or *tract* having a *built-upon area* as defined in this subsection.
2. Evaluation of Criteria. In evaluating whether the development project meets the criteria listed above for the *sedimentation* and *erosion* control exemption, the following rules shall apply:
- (a) Exemption Limitations. The exemption shall not be available to nonresidential *subdivisions*, nonresidential *cluster development(s)* or *nonresidential development* projects being developed in *phases*.
 - (b) Residential Developments. The exemption shall not be available for single-family or any other *residential development* projects, including *general home occupations*.
 - (c) Discontinuance of Construction. If construction of the development project is discontinued for a period of time in excess of 180 consecutive calendar days, any further construction shall be considered an expansion to improvements already existing on the project site or *tract*. Any such further construction shall meet the requirements of this subsection. However, only the *built-upon area* of said further construction and the remainder of the project site or *tract* shall be used in the density calculations.
 - (d) Damage and Destruction. Any exempted development project may be repaired/reconstructed if damaged or destroyed. Any such reconstruction or repair shall not be considered an expansion of an improvement already existing, provided that the repair/reconstruction restores the *building* or *built-upon area* to substantially the same condition and *built-upon area* as before any such damage or destruction. To the extent that any such repair/reconstruction enlarges the *impervious surface* associated with the *building* or *built-upon area* being repaired/reconstructed, the repair/reconstruction shall be considered an expansion to an exempted development project and shall be required to meet the density and built-upon limits contained in this subsection in accordance with subsection 3.

3. Exempted Expansions. Expansions to development projects which were exempted under the terms listed above shall not be exempted from the terms of this section. All such expansions shall be required to meet the requirements of this section. However, only the *built-upon area* of the expansion and the undeveloped area of the project site or *tract* shall be used in the density calculations.
- E. Mixed-Use Development. In cases where both residential and nonresidential *uses* are proposed for one (1) *lot* in single ownership, such mixed-use developments may be permitted without further *subdivision* of the lot. However, each *use* must adhere to its respective density/*built-upon area* requirements. For purposes of this subsection, *home occupations* shall, be considered as residential *uses*. Where the mixed-use development contains any clustering, such clustering shall adhere to the standards outlined in subsection F below.
- F. Cluster Development. *Cluster developments* are allowed in WP-WS-II-BW Colt Creek and Mills River, WP-WS-III-BW Lower Mills River and WP-WS-IV-PA Upper French Broad River sub-districts under the following conditions:
- (1) Subdivisions with Lot Sizes Smaller Than Minimums. Where *cluster development* is proposed for *use* in *subdivision* design and where actual *lot sizes* do not meet the minimum provided for in this subsection, a developer may meet the requirements of the *watershed* district in one (1) of the following ways:
 - a. The average *lot size* of all *building lots* in the proposed *subdivision* is not less than the minimum required herein, and the total number of *lots* does not exceed the number of *lots* allowed for *single-family detached* development under the terms of this Chapter; or
 - b. The average *lot size* of all *building lots* in the proposed *subdivision* is less than the minimum required herein but sufficient land is otherwise designated in accordance with subsection (3) below, to offset any such deficiency. Additionally, the total number of *lots* must not exceed the number of *lots* allowed for *single-family detached* developments under the terms of this subsection.
 - (2) Phased Development Subdivisions. Where *subdivisions* are proposed for *phased* development, no approval may be given where a deficiency in *lot size* has not been offset, in accordance with subsection (3) below, on the recorded *plat* or by a previously recorded *plat*.
 - (3) Land Used to Offset Deficiencies. All land which is used to offset deficiencies in *lot sizes* or is used to offset *built-upon areas* which exceed the minimums allowed by this subsection for *cluster developments* shall meet the following requirements:
 - a. The land must remain in a natural or vegetated state;
 - b. The land must be located within the same *watershed* district as the development and must be on the same *lot* or project site;

- c. The land must be identified on a *plat* with the following language: "Natural Area - Not Subject To Development" (such *plat* shall be recorded in the office of the Register of Deeds of Henderson County); and
 - d. The remainder of the *tract* shall remain in a vegetated or natural state. The title to the *open space* area shall be conveyed to a property owners' association for management, to a *local government* for preservation as a *park* or *open space* or to a conservation organization for preservation in a permanent *easement*. A maintenance agreement shall be filed with the property deeds and a copy submitted to the North Carolina Division of Environmental Management.
- (4) Land Not to Be Used to Offset Deficiencies. *Road rights-of-way*, utility station sites or common recreation areas may not be used to offset *lot size* deficiencies or *built-upon areas* that exceed the minimum built-upon limits.
 - (5) Design of Built-upon area. All *built-upon area* shall be designed and located to minimize *stormwater runoff* impact to the receiving waters and to minimize concentrated stormwater flow.
 - (6) Other Terms. All *cluster development* shall be subject to the terms, conditions and procedures of applicable local, state and federal laws, including but not limited to the other portions of this Chapter.
- G. Buffer Areas Required. See §200A-216 (Perennial and Intermittent Surface Water Buffers).
- H. Existing Development.
- (1) Existing Development. *Existing development* may be continued and maintained subject to the provisions provided herein. Expansions to *structures* classified as "*existing development*" must meet the requirements of this section; however, only the *built-upon area* of the expansion and the undeveloped area of the *lot* are used in the built-upon calculations.
 - (2) Existing Vacant Lots. Existing vacant *lots* are *lots* for which *plats* or deeds have been recorded as of May 23, 1994 in the office of the Register of Deeds of Henderson County. An *existing lot* may be used for any of the *uses* allowed in the *watershed* area in which it is located provided that where the *lot size* is less than the minimum specified in this subsection; the *Watershed Administrator* is authorized to issue a permit.
 - (3) Use of Land. *Uses* of land existing at the time of the initial adoption of *watershed* regulations for a particular area and where such *use* of the land is not permitted to be established hereafter in the *watershed* area in which it is located may be continued in accordance with this Chapter (see Article VIII Subpart B (Water Supply Watershed Protection)).
 - (4) Reconstruction of Buildings or Built-upon Areas. Any existing *building* or *built-upon area* not in conformance with the restrictions of this subsection that has been damaged or removed may be repaired and/or reconstructed, provided that the following are complied with:

- a. Repair or reconstruction is initiated within 12 months and completed within two (2) years of such damage.
- b. The total amount of space devoted to *built-upon area* may not be increased unless stormwater control that equals or exceeds the previous development is provided.

DRAFT

DRAFT

Subpart E. Table of Permitted and Special Uses

§200A-59. Table of Permitted and Special Uses

USE TYPE	GENERAL USE DISTRICT P=Permitted; S=Special Use Permit											
	R-1	R-2	R2 MH	R-3	OI	MU	LC	CC	RC	GC	I	SR
1. RESIDENTIAL USES												
<i>Assisted Living Residence</i>	S	S	S	S	P	P	P	P	P			1.1
<i>Bed and Breakfast Inn</i>	P	P	P	P	P	P	P					1.2
<i>Continuing Care Retirement Community</i>	S	S	S	S	P	P	P	P	P			1.3
<i>Dwelling, Duplex</i>	P	P	P	P	P	P	P					1.4
<i>Dwelling, Manufactured Home (multi-section)</i>			P	P								1.5
<i>Dwelling, Manufactured Home (singlewide)</i>			P	P								1.5
<i>Dwelling, Mobile Home</i>			P	P								1.5
<i>Dwelling, Multifamily, Five (5) or More Units</i>	S				P	P	S	S	S			1.6
<i>Dwelling, Quadraplex</i>	S				P	P	S					1.7
<i>Dwelling, Single Family Detached</i>	P	P	P	P		P	P					1.8
<i>Dwelling, Triplex</i>	P	P	P		P	P	P					1.9
<i>Family Care Home</i>	P	P	P	P	P	P	P					1.10
<i>Fraternity and/or Sorority House</i>	P				P	P						1.11
<i>Hospice Residential Care Facility</i>	S	S	S	S	P	P	P	P				1.12
<i>Manufactured Home Park</i>			S	S								1.13
<i>Nursing Home</i>	S	S	S	S	P	P	P	P	P			1.14
<i>Rooming and Boardinghouse</i>	S	S	S	S		P	P	P		P		1.15
2. ACCESSORY USES												
<i>Childcare Facility (as an accessory for a principal business)</i>					P	P	P	P	P	P	P	2.1
<i>Drive-Thru Window</i>					P	P	P	P	P	P		2.2
<i>Dwelling, Single-Family (as an accessory for a principal business)</i>				P	P	P	P	P				2.3
<i>Fuel Pumps</i>							P	P	P	P	P	2.4
<i>Home Occupation, Adult Day Care</i>	P	P	P	P		P	P					2.5
<i>Home Occupation, Childcare Facility</i>	P	P	P	P		P	P					2.6
<i>Home Occupation, General</i>	P	P	P	P	P	P	P					2.7
<i>Outdoor Storage ≤5000 sq ft</i>				S			S	P	P	P	P	2.8
<i>Outdoor Storage >5000 sq ft</i>							S	P	P	P		2.9
<i>Rural Family Occupation</i>				P								2.10
3. ACCESSORY STRUCTURES												
<i>Airport (Private Accessory)</i>				S		P					S	3.1
<i>Automatic Teller Machine</i>					P	P	P	P	P	P	P	3.2
<i>Boathouse, Private</i>	P	P	P	P		P						3.3
<i>Bulkhead</i>	P	P	P	P		P						3.4

USE TYPE	GENERAL USE DISTRICT P=Permitted; S=Special Use Permit											
	R-1	R-2	R2 MH	R-3	OI	MU	LC	CC	RC	GC	I	SR
<i>Carport</i>	P	P	P	P	P	P	P					-
<i>Dock/Pier</i>	P	P	P	P	P	P						3.5
<i>Dwelling, Accessory Residential</i>	P	P	P	P	P	P	P					3.6
<i>Garage, Residential</i>	P	P	P	P	P	P	P					-
<i>Gate and/or Guardhouse</i>	P	P	P	P	P	P	P	P	P	P	P	3.7
<i>Greenhouse</i>	S	S	S	P	S	P	P	P	P	P		3.8
<i>Heliport (Private Accessory)</i>	S	S	S	S	P	S			P	P	P	3.9
<i>Loading Bay</i>					P	P	P	P	P	P	P	-
<i>Outdoor Sale Display Areas</i>							P	P	P	P		3.10
<i>Parking Garage</i>					P	P		P	P	P	P	3.11
<i>Planned Seasonal Agricultural Worker Development</i>	P	P	P	P	P	P	P	P	P	P	P	3.12
<i>Produce Stand, Accessory</i>	P	P	P	P	P	P	P	P	P	P	P	3.13
<i>Satellite Dish</i>	P	P	P	P	P	P	P	P	P	P	P	-
<i>Storage Shed</i>	P	P	P	P	P	P	P	P	P	P	P	3.14
<i>Swimming Pool, Spa, Hot Tub, Residential</i>	P	P	P	P	P	P	P					-
<i>Wastewater Treatment Plant, Small Accessory</i>	P	P	P	P	P	P	P	P	P	P	P	3.15
4. RECREATIONAL USES												
<i>Amusement Park</i>											S	4.1
<i>Athletic Field, Non-commercial</i>	P	P	P	P	P	P						4.2
<i>Campground</i>		S	S	S								4.3
<i>Coin Operated Amusements</i>							P	P	P	P		4.4
<i>Common Area Recreation and Service Facilities</i>	P	P	P	P	P	P	P					4.5
<i>Golf Course and/or Country Club</i>	P	P	P	P	P	P	P	P	P			4.6
<i>Governmental Recreational Facilities</i>	S	S	S	S	S	P	P	P	P			4.7
<i>Indoor Recreational Facilities (Bowling Alley, Skating Rink, Bingo Games, Indoor Miniature Race Tracks)</i>						P	P	P	P	P		4.8
<i>Marina</i>		S		S			P	P				4.9
<i>Miniature Golf Course or Driving Tees/Ranges (operated for commercial purposes)</i>	S	S		S			P	P	P	P		4.10
<i>Motor Sports Facility, Major</i>											S	4.11
<i>Motor Sports Facility, Minor</i>											S	4.12
<i>Motor Sports Facility, Recreational</i>								S	S	S	P	4.13
<i>Outdoor Recreational Facilities</i>	S	S		S				S	S	S	P	4.14
<i>Park</i>	P	P	P	P	P	P	P	P	P	P	P	4.15
<i>Physical Fitness Center</i>	S	S	S	S	S	P	P	P	P	P	P	4.16
<i>Recreational Vehicle Park</i>		S	S	S				S				4.17
<i>Riding Stables</i>		P	P	P			P	P				4.18

USE TYPE	GENERAL USE DISTRICT P=Permitted; S=Special Use Permit											
	R-1	R-2	R2 MH	R-3	OI	MU	LC	CC	RC	GC	I	SR
<i>School (Sports Instructional)</i>						P	P	P	P	P		4.19
<i>Shooting Ranges, Indoor</i>								S	S	S	P	4.20
<i>Shooting Ranges, Outdoor</i>											S	4.21
<i>Sporting and Recreational Facilities</i>	S	S	S	S				P	P	P	P	4.22
<i>Swim and Tennis Club</i>	P	P	P	P	P	P	P					4.23
5. EDUCATIONAL AND INSTITUTIONAL USES												
<i>Adult Day Care Facility</i>	P	P		P	P	P	P	P				5.1
<i>Ambulance Services</i>	P	P		P	P	P	P	P	P	P	P	5.2
<i>Cemetery/Mausoleum/Columbarium (excluding crematoriums)</i>	P	P	P	P			P	P	P	P	P	5.3
<i>Childcare Facility</i>	P	P	P	P	P	P	P	P	P	P	P	5.4
<i>Club/Lodge</i>	P	P	P	P	P	P	P	P	P	P	P	5.5
<i>College or University</i>					P	P		P	P			5.6
<i>Community Club</i>	P	P	P	P	P	P	P	P	P			5.7
<i>Correctional Facilities</i>											S	5.8
<i>Fire and Rescue Station</i>	P	P	P	P	P	P	P	P	P	P	P	5.9
<i>Funeral Home or Crematorium</i>							P	P	P	P		5.10
<i>Government Offices</i>					P	P	P	P	P	P	P	5.11
<i>Homeless Shelter</i>					P			S	P	P		5.12
<i>Hospital</i>					P	P		P	P	P		5.13
<i>Museum/Library/Archive</i>	S	S	S	S	P	P	P	P	P	P		5.14
<i>Place of Assembly, Large</i>					S		P	P	P	P	P	5.15
<i>Place of Assembly, Small</i>					P	P	P	P	P	P	P	5.16
<i>Police Station</i>	S	S		S	P	P	P	P	P	P	P	5.17
<i>Religious Institution</i>	P	P	P	P	P	P	P	P	P	P	P	5.18
<i>School (Home)</i>	P	P	P	P	P	P	P					-
<i>School (Public/Private/Charter)</i>	P	P	P	P	P	P	P	P	P	P		5.19
<i>Youth Center</i>	S	S		S	P	P	P	P	P	P		5.20
6. BUSINESS, PROFESSIONAL, AND PERSONAL SERVICES												
<i>Animal Shelter</i>							S	S	P	P	P	6.1
<i>Automobile and Equipment Service</i>							P	P	P	P	P	6.2
<i>Automotive Towing</i>									P	P	P	6.3
<i>Broadcasting and Communications Facilities</i>					P	P	P	P	P	P	P	6.4
<i>Car Wash</i>							P	P	P	P	P	6.5
<i>Exterminating and Pest Control Services</i>							P	P	P	P	P	6.6
<i>Kennel</i>		S	S	S			S	S	P	P	P	6.7
<i>Motel/Hotel</i>						P	S	P	P	P		6.8
<i>Office: Business, Professional and Public</i>					P	P	P	P	P	P	P	6.9
<i>School (Technical, Trade and Business)</i>					P	P	P	P	P	P	P	6.10

USE TYPE	GENERAL USE DISTRICT P=Permitted; S=Special Use Permit											
	R-1	R-2	R2 MH	R-3	OI	MU	LC	CC	RC	GC	I	SR
Theater, Drive-In								P	P	P	P	6.11
Tire Recapping									P	P	P	6.12
Urgent Care Clinic					P	P	P	P	P	P		6.13
7. RETAIL TRADE												
Adult Book and Retail Merchandise Store											S	7.1
Adult Theatre and Live Entertainment											S	7.2
Cinema Complex						P		P	P	P		7.3
Convenience Store					P	P	P	P	P	P	P	7.4
Entertainment Complex									P	P	P	7.5
Flea Market									P	P	P	7.6
Fuel Oil Distribution and Sales											P	7.7
Landscaping Materials Sales and Storage				S		P	S	P	P	P	P	7.8
Manufactured/Mobile Home Sales									P	P	P	7.9
Motor Vehicle Sales or Leasing									P	P	P	7.10
Open Air Market		S		S		P	S	S	P	P	P	7.11
Parking Garage or Lot (requiring payment)									P	P	P	7.12
Produce Stand		S	S	S		P	P	P	P	P		7.13
Retail Sales and Services ≤50,000 sq ft (of gross floor area)					P	P	P	P	P	P		7.14
Retail Sales and Services >50,000 ≤100,000 sq ft (of gross floor area)						P		P	P	P		7.15
Retail Sales and Services >100,000 ≤150,000 sq ft (of gross floor area)									P	P		7.16
Retail Sales and Services >150,000 sq ft (of gross floor area)									S			7.17
Shopping Mall									S			7.18
Truck Stop									S	P	P	7.19
8. WHOLESALE TRADE												
Wholesale Trade								P	P	P	P	8.1
9. TRANSPORTATION, WAREHOUSING AND UTILITIES												
Airport (Private)											S	9.1
Airport (Public)											S	9.2
Communication Facilities, Category 1	P	P	P	P	P	P	P	P	P	P	P	9.3
Communication Facilities, Category 2	P	P	P	P	P	P	P	P	P	P	P	9.3
Communication Facilities, Category 3											S	9.3
Hazardous Waste Disposal Facilities											S	9.4
Land Clearing Debris and Inert Debris Storage or Disposal				S							S	9.5
Rail Transportation Facilities and Support Activities											P	9.6
Self-Storage Warehousing								S	P	P	P	9.7

USE TYPE	GENERAL USE DISTRICT P=Permitted; S=Special Use Permit											
	R-1	R-2	R2 MH	R-3	OI	MU	LC	CC	RC	GC	I	SR
Septic Tank and Related Services											P	9.8
Solid Waste Combustors and Incinerators											S	9.9
<i>Transit and Ground Passenger Transportation</i>						P		S	S		P	9.10
<i>Truck Terminals</i>											P	9.11
<i>Utility Substation</i>	P	P	P	P	P	P	P	P	P	P	P	9.12
<i>Warehousing and Storage (Excluding Warehousing of Hazardous Substances)</i>								P	P	P	P	9.13
<i>Waste Collection and Transfer Facility (Hazardous)</i>											S	9.14
<i>Waste Collection and Transfer Facility (Non-hazardous)</i>				S				S			S	9.15
<i>Wastewater Treatment Plant</i>	S	S	S	S	S	P	S	S	S	S	P	9.16
<i>Water Treatment Plant</i>	S	S	S	S	S	P	S	S	S	S	P	9.17
10. MANUFACTURING & INDUSTRIAL USES												
<i>Asphalt Plant</i>											S	10.1
<i>Battery Manufacturing Facility</i>											S	10.2
<i>Chip Mill</i>											S	10.3
<i>Concrete Batch Plant</i>											S	10.4
<i>Junkyard</i>											S	10.5
<i>Landfill, Public or Private</i>											S	10.6
<i>Machining and Assembly Operations</i>											P	10.7
<i>Manufacturing and Production Operations</i>											P	10.8
<i>Materials Recovery Facilities (Recycling)</i>											P	10.9
<i>Mining and Extraction Operations</i>											S	10.10
<i>Packaging and Labeling Services</i>											P	10.11
<i>Pesticide, Fertilizer and Other Agricultural Chemical Manufacturing</i>											S	10.12
<i>Product Processing and Storage Facilities</i>											P	10.13
<i>Recycling Centers, Drop-Off Facilities</i>	P	P	P	P	P	P	P	P	P	P	P	10.14
<i>Research and Development Operations (Hazardous or Biological Materials)</i>											P	10.15
<i>Research and Development Operations (Non-hazardous)</i>									P		P	10.16
<i>Sawmill</i>				P							P	10.17
<i>Slaughterhouse</i>											P	10.18

USE TYPE	GENERAL USE DISTRICT P=Permitted; S=Special Use Permit											
	R-1	R-2	R2 MH	R-3	OI	MU	LC	CC	RC	GC	I	SR
Truck Wash									P		P	10.1 9
11. TEMPORARY USES												
Christmas Tree Lot Sales	P	P	P	P	P	P	P	P	P	P		11.1
Circuses, Carnivals, Fairs, Religious Services (or similar types of events)				P			P	P	P	P	P	11.2
<i>Model Home Sales Office, Temporary</i>	P	P	P	P	P	P	P			P		11.3
Movie Production	P	P	P	P	P	P	P	P	P	P	P	-
<i>Yard Sale</i>	P	P	P	P	P	P	P	P				11.4
12. TEMPORARY STRUCTURES												
<i>Portable Storage Container</i>											P	12.1
<i>Produce Stand, Temporary</i>	P	P	P	P	P	P	P	P	P	P	P	12.2
Temporary Construction Project Buildings	P	P	P	P	P	P	P	P	P	P	P	12.3
Tent Sale						P	P	P	P	P	P	12.4
13. AGRICULTURAL USES												
<i>Agriculture</i>	P	P	P	P	P	P	P	P	P	P	P	-
Food Manufacturing	P	P	P	P	P	P	P	P	P	P	P	-
<i>Forestry</i>	P	P	P	P	P	P	P	P	P	P	P	-
<i>Forestry Support Services</i>	P	P	P	P	P	P	P	P	P	P	P	-
Veterinary Services (livestock)	P	P	P	P	P	P	P	P	P	P	P	-

Subpart F. Supplemental Requirements to the Table of Permitted and Special Uses

§200A-60. Supplemental Requirements to the Table of Permitted and Special Uses

The regulations of this section directly correlate with the Table of Permitted and Special Uses, which contains a column on the far right labeled “SR” for Supplemental Requirements. In any case where a *use* listed in the Table has a number in the SR column opposite the use, the *use* must comply with the additional requirements found in this section.

1. RESIDENTIAL USES

SR 1.1. *Assisted Living Residence*

- (1) Site Plan. Major *Site Plan* required in accordance with §200A-296 (Major Site Plan Review).
- (2) Lighting. *Lighting mitigation* required.
- (3) Accessibility. *Roads* shall be maintained for motor/emergency *vehicle* access (in accordance with 10A NCAC 13F .0303).
- (4) Certification, Licensure and Permitting. *Certificate of Need* (in accordance with NCGS §131E-178) required (where required for the specific facility type by the state).
- (5) Solid Waste Collection. The facility shall provide a suitable method of solid waste disposal and collection consisting of either private collection from individual *uses* or the *use* of dumpsters (installed and/or operated to meet all local and state statutes, ordinances and regulations (including Chapter 165 of the Henderson County Code, *Solid Waste*) and thereafter certified by the Department of Public Health). Where dumpsters are used, Screen Class One (1), Two (2) or Three (3) shall be provided consistent with the requirements of §200A-147 (Screen Classification).

SR 1.2. *Bed and Breakfast Inn*

- (1) Site Plan. Major *Site Plan* required in accordance with §200A-296 (Major Site Plan Review).
- (2) Certification, Licensure and Permitting. No *person* shall operate a *bed and breakfast inn* who does not possess a valid permit from the Department of Environmental Health and Natural Resources (in accordance with 15A NCAC 18A .3002 (a)).
- (3) Size. The total number of guest rooms in a bed-and-breakfast inn shall not exceed 12 (in accordance with NCGS §140A-247 (6)).
- (4) Structure. The bed-and-breakfast inn shall contain at least:
 - a. One (1) *bathroom* for every two (2) *bedrooms* (guestrooms) (in accordance with 15A NCAC 18A .3009 (a)); and
 - b. One (1) kitchen facility.
- (5) Residential Character. The inn shall be located in a *structure* originally constructed as and adhering to, the standards of a *single-family dwelling*.
- (6) Operations. The inn shall (in accordance with NCGS §130A-247 (6)):
 - a. Be the permanent residence of the owner and/or manager of the business (or such owner and/or manager may live on site in an *accessory structure*);
 - b. Not serve food or drink to the general public for pay;

- c. Serve only the breakfast meal, and that meal served only to overnight guests of the business;
- d. Include the price of breakfast in the room rate; and
- e. Be permitted to contain a *home occupation* and adhere to the additional standards outlined therefore (see SR 2.7 (*Home Occupation, General*))

SR 1.3. Continuing Care Retirement Community

- (1) Site Plan. Major *Site Plan* required in accordance with §200A-296 (Major Site Plan Review).
- (2) Operations. Where the *continuing care retirement community* contains a *dwelling(s)*, *nursing home*, *assisted living residence*, or *hospice residential care facility*, these facilities shall adhere to the additional standards outlined for those *uses*.

SR 1.4. Dwelling, Duplex

- (1) Site Plan. Minor *Site Plan* required in accordance with §200A-295 (Minor Site Plan Review).
- (2) Multifamily Development. Where more than one (1) *duplex* is desired, this shall be considered a multifamily development and shall adhere to the standards outlined in SR 1.6 (Dwelling, Multifamily, Five (5) or More Units).

SR 1.5. Dwelling, Manufactured/Mobile Home (multi-section/singlewide)

- (1) Site Plan. Minor *Site Plan* required in accordance with §200A-295 (Minor Site Plan Review).
- (2) Manufactured Home Park. Where three (3) or more *manufactured homes* are desired, this shall be considered a *manufactured home park* and shall adhere to the standards outlined in SR 1.13 (*Manufactured Home Park*).
- (3) All singlewide *manufactured/mobile homes* shall:
 - a. Have a length which does not exceed five (5) times the width, (excluding *additions*);
 - b. Have a width of at least 14 feet;
 - c. Have a roof pitch with a minimum vertical rise of four (4) feet for each 12 feet of horizontal run. The roof shall be finished with a type of shingle that is commonly used in standard residential construction;
 - d. Have exterior siding which consists predominantly of vinyl or aluminum lap siding whose reflectivity does not exceed that of flat white paint; or wood or hardboard, comparable in composition, appearance, and durability to the exterior siding commonly used in standard residential construction;
 - e. Be placed on the *lot* in harmony with the existing neighboring site-built *structures*. Where no neighboring *structures* are available for comparison, the *manufactured home* shall be sited with the front running parallel to the *road* providing access to the site. On corner *lots* the side with the greatest *road frontage* shall be considered the front. On cul-de-sacs the home shall be sited with the front running parallel to the *road* access;
 - f. Have the towing tongue removed upon final placement of the unit; and
 - g. Have underpinning, deck/porch and permanent steps in accordance with the following. Underpinning shall be:

1. Provided along the entire perimeter of each home from the ground to the bottom of the *structure*;
2. Comprised of material manufactured for this purpose in accordance with standards set by the state regulations for *manufactured/mobile homes*. Commonly recognized *building* materials suitable for *use* as underpinning shall include but not be limited to the following: brick, concrete block; natural or synthetic stone masonry; or masonite or vinyl siding. Assemblies, products and materials manufactured expressly for the purpose of underpinning shall be installed in accordance with the manufacturer's specifications; and
3. Vented in accordance with the state regulations for *manufactured/mobile homes*.

Deck(s) or porch(es) shall be:

1. Provided steps;
2. Located in the front of the home;
3. A minimum of 36 square feet where over 36 square feet and where over 36 square feet, it must meet volume VII of the state residential building code; and
4. Installed and constructed in accordance with the standards set by the state regulations for *manufactured/mobile homes* or, when applicable, volume VII of the state residential building code.

Steps shall be installed and constructed in accordance with the standards set by the state regulations for *manufactured/mobile homes* or, when applicable, volume VII of the state residential building code.

- (4) All doublewide and multi-sectioned *manufactured homes* shall:
- a. Have a length not exceeding four (4) times the *building* width;
 - b. A main roof pitch with a minimum rise of four (4) feet for each twelve (12) feet of horizontal run. The roof shall be finished with a type of shingle that is commonly used in standard residential construction;
 - c. Have exterior siding which consists predominantly of vinyl or aluminum lap siding whose reflectivity does not exceed that of flat white paint; or wood or hardboard, comparable in composition, appearance and durability to the exterior siding commonly used in standard residential construction;
 - d. Be placed on the *lot* in harmony with the existing site-built *structures*. Where no neighboring *structures* are available for comparison, it shall be sited with the front running parallel to the *road* providing access to the site. On corner *lots* the side with the greatest *road frontage* shall be considered the front. On cul-de-sacs the home shall be sited with the front of the home being parallel to the *road* access;
 - e. The towing tongue shall be removed upon final placement of the unit; and
 - f. Have a foundation, underpinning, deck/porch, and permanent steps in accordance with the following. Foundations shall be brick, concrete block or other masonry foundation. Underpinning shall be:
 1. (When placed on rental *lots*) provided along the entire perimeter of the home, enclosed from the ground to the bottom of the *structure*;

2. Comprised of a material manufactured for this purpose in accordance with standards set by the state regulations for *manufactured/mobile homes*. Commonly recognized *building* materials suitable for *use* as underpinning shall include but not be limited to the following: brick, concrete block; natural or synthetic stone masonry; or vinyl siding. Assemblies, products and materials manufactured expressly for the purpose of underpinning shall be installed in accordance with the manufacturers' specifications; and
3. Continuous and unpierced except for ventilation as required by the state regulations for *manufactured/mobile homes*;

Decks or porches shall be:

1. Provided steps;
2. Located in front of the home;
3. A minimum of 36 square feet and, where larger than 36 square feet, it must meet Volume VII of the state residential building code;
4. Supported by a foundation constructed of materials compatible with the underpinning on the outer perimeter of the foundation; and
5. Installed and constructed in accordance with the standards set by the state regulations for *manufactured/mobile homes* or, when applicable, Volume VII of the state residential building code.

Steps shall be installed and constructed in accordance with the standards set by the state regulations for *manufactured/mobile homes* or, when applicable, Volume VII of the state residential building code.

- (5) *Mobile homes* shall adhere to the following. The movement of pre-1976 *manufactured homes* (hereinafter "*mobile homes*") into the County shall not be permitted. Pre-1976 *mobile homes* currently located within the County may be installed, moved or relocated provided:
 - a. The *mobile home* is not currently located within a *manufactured home park*;
 - b. Relocation shall only be to an approved *manufactured home park*; and
 - c. A permit has been issued by the *Zoning Administrator* authorizing such installation.

Where the *mobile home* is set up within a *manufactured home park* the *mobile home* may be sold but cannot be relocated and installed elsewhere within the County.

- (6) A *manufactured/mobile home* shall be setup in accordance with the standards set by the North Carolina Department of Insurance Regulations for *manufactured/mobile homes*.
- (7) A *manufactured/mobile home* shall not be used as a storage unit and shall only be occupied as a dwelling.
- (8) Type of Permitted Manufactured/Mobile Home. The type of home allowed to be placed in a *manufactured home park* shall be determined by the zoning district in which the *park* is located. For example singlewide *manufactured homes* are not allowed to be placed in a *manufactured home park* located in the R2 zoning district.

SR 1.6. Dwelling, Multifamily, Five (5) or More Units

- (1) Site Plan. Major *Site Plan* required in accordance with §200A-296 (Major Site Plan Review).

- (2) Multifamily dwelling so five (5) or more units:
- a. May be developed in *phases*.
 - b. Shall have a minimum spacing between *buildings* of 20 feet, with an additional one (1) foot of separation for each one (1) foot of *building* height in excess of 30 feet.
 - c. Shall have a maximum *building* length of 150 feet.
 - d. May increase the building height to 50 feet where a B1 *Buffer* is provided as detailed in §200A-133 (Buffer Determination).
 - e. Shall be required pervious pavement for a minimum of 25 percent of all paved surfaces (*roads*, parking areas, drives, sidewalks, etc.).
 - f. Shall adhere to the *road* standards required for a *major subdivision* in accordance with Article III, Subdivision Regulations, and shall be organized:
 1. To provide increased internal mobility;
 2. To provide safe and convenient access;
 3. In intersecting/grid patterns where possible; and
 4. Without cul-de-sacs (except where topographical considerations/restrictions are submitted by the *applicant*).
 - g. Shall have subsurface utilities.
- (3) Where a multifamily dwelling of five (5) or more units development is located along any *road* with current public transit access and such public transit authority approves the addition of a stop, such development shall provide a minimum of one (1) public transit access shelter for the *use* of occupants/patrons.
- (4) Solid Waste Collection. Solid waste collection systems must be installed and/or operated to meet all local and state statutes, ordinances and regulations and shall thereafter be certified by the Department of Public Health. Each development shall provide a suitable method of solid waste disposal (in accordance with Chapter 165 of the Henderson County Code, *Solid Waste*) and collection consisting of either private collection from individual *uses* or the *use* of dumpsters. Where dumpsters are used concrete pads shall be designed to drain to a bio-retention area to filter stormwater before the water reaches a larger drainage system, and Screen Class One (1), Two (2), or Three (3) shall be provided consistent with the requirements of §200A-147 (Screen Classification).
- (5) Open Space. *Open space* shall be provided in perpetuity (perpetual *easements* or deed restrictions are required) equivalent to 20 percent of all lands within the development. This designated *open space* area shall not:
- a. Include more than 50 percent in primary conservation areas; and
 - b. Be composed entirely of secondary conservation areas.
- (6) Common Area Requirements. A *common area* shall be provided that is equivalent to 10 percent of the total area. *Common area* shall be accessible for the *use* and enjoyment of the multifamily occupants/patrons, located as to be free of traffic hazards and maintained in good condition by the *applicant*.
- (7) Other Requirements. Due to the comprehensive nature of a multifamily project, there are several sections that must be consulted. Please refer to the following sections for more information on each facet of a multifamily project.

- a. See Article III for information on *road* design and construction standards, pedestrian facility standards, water and sewer requirements, and *fire protection*.
- b. See Article V for landscaping and buffering requirements.
- c. See Article VI for off-street parking and loading requirements.
- d. See §200A-60 (Supplemental Requirements) for each land *use*.
- e. See Article VII for *sign* requirements.
- f. See Article XI for permitting procedures.

SR 1.7. Dwelling, Quadraplex

- (1) Site Plan. Minor *Site Plan* required in accordance with §200A-295 (Minor Site Plan Review).
- (2) Multifamily Development. Where more than one (1) *quadraplex* is desired, this shall be considered a multifamily development and shall adhere to the standards outlined in SR 1.6 (Dwelling, Multifamily, Five (5) or More Units).

SR 1.8. Dwelling, Single-Family Detached

- (1) Site Plan. Minor *Site Plan* required in accordance with §200A-295 (Minor Site Plan Review).

SR 1.9. Dwelling, Triplex

- (1) Site Plan. Minor *Site Plan* required in accordance with §200A-295 (Minor Site Plan Review).
- (2) Multifamily Development. Where more than one (1) *triplex* is desired, this shall be considered a multifamily development and shall adhere to the standards outlined in SR 1.6 (Dwelling, Multifamily, Five (5) or More Units).

SR 1.10. Family Care Home

- (1) Location. No new *family care home* (which includes, but is not limited to *adult care homes, hospice residential care facilities, or nursing homes* with two (2) to six (6) residents) shall be located within a one-half (½) mile radius of an existing *family care home* (see above) or homeless shelter (in accordance with NCGS §168-22).
- (2) Size. A *family care home* shall house a minimum of two (2) and a maximum of six (6) residents (in accordance with NCGS §168-21 (1)).
- (3) Operations. Where the *family care home* is a *nursing home* or *hospice residential care facility*, these facilities shall adhere to the additional standards outlined for those *uses*.

SR 1.11. Fraternity and/or Sorority Houses

- (1) Site Plan. Major *Site Plan* required in accordance with §200A-296 (Major Site Plan Review).
- (2) Location. The fraternity or sorority house shall be permitted on a property abutting, with primary access to, or within one (1) mile of the college or university with which it is affiliated.
- (3) Residential Character. The fraternity or sorority house shall be located in a *structure* originally constructed as, or easily converted to, a *single-family dwelling*.

SR 1.12. Hospice Residential Care Facility

- (1) Site Plan. Major *Site Plan* required in accordance with §200A-296 (Major Site Plan Review).
- (2) Lighting. *Lighting mitigation* required.
- (3) Certification, Licensure and Permitting. *Certificate of Need* (in accordance with NCGS §131E-178) required.
- (4) Accessibility. *Roads* shall be maintained for motor/emergency *vehicle* access (in accordance with 10A NCAC 13F .0303).
- (5) Solid Waste Collection. The facility shall provide a suitable method of solid waste disposal and collection consisting of either private collection from individual *uses* or the *use* of dumpsters (installed and/or operated to meet all local and state statutes, ordinances and regulations (including Chapter 165 of the Henderson County Code, Solid Waste) and thereafter certified by the Department of Public Health). Where dumpsters are used, Screen Class One (1), Two (2) or Three (3) shall be provided consistent with the requirements of §200A-147 (Screen Classification).

SR 1.13. Manufactured Home Park

- (1) Site Plan. A *Manufactured home park site plan* shall be required in accordance with §200A-294 (Manufactured Home Park Site Plan Review).
- (2) Establishing a Manufactured Home Park. Three (3) or more *manufactured homes* and/or *manufactured home* spaces on a *tract* shall be considered an *MHP*. Each *applicant* for an *MHP* shall choose a name for the *MHP* which shall not be substantially identical or so similar as to likely cause confusion among prospective residents to any other *MHP* or named community in Henderson County. An *MHP site plan* shall contain certification that the public records of Henderson County have been searched and the proposed *MHP* name meets the standards set forth in this Chapter. Single and doublewides are permitted as long as it is permitted in the *use district*.
- (3) Phasing. *Manufactured home parks* may be developed in *phases* of at least three (3) spaces, except where less than three (3) spaces remain to be developed on a *tract*.
- (4) Accessibility Requirements. A *MHP* shall be accessible by:
 - a. A minimum of 30 feet in *public road frontage*; or
 - b. A private *right-of-way* corridor (see Road Construction Standards) to the property measuring 30 feet in width at its narrowest point.In no case shall a manufactured home space have direct access to a *road* outside the *MHP* except through those *roads* indicated on the *MHP Site Plan*.
- (5) Road Construction Standards. *Roads* shall be the responsibility of the *MHP applicant*. *Road* construction standards shall be determined by road classification as noted in Table 2.13.

Table 2.13. Manufactured Home Park Road Construction Standards						
Requirements		Private Road Classification ¹				
		MHP Private ROW Corridor		MHP Collector	MHP Service	Driveway
Number of Spaces Served ²		25+	1-24	25+	1-24	1-3
Maximum Grade %	Paved Surface	16	18	16	18	-
	Stone Surface	12	12	12	12	-
Minimum Road Width (ft.)		20	20	18	18	10
Shoulder (ft.)		4	4	4	4	-
Stone Base (in.)	(ABC) Compacted ³	8	6	8	6	6
	Crushed Stone ⁴	-	-	-	-	3
Cut and Fill Slope		2:1	1.5:1	2:1	1.5:1	-
Ditch Slope		4:1	3:1	4:1	3:1	-
Vertical Clearance (ft.) ⁵		13.5	13.5	13.5	13.5	-

1 Road Classification applicable within MHPs (MHP collector/service) shall not to be confused with Access Management Road Classifications. For purposes of setbacks, access management road classifications shall be used.

2 The number of spaces served shall be determined by the number of *manufactured home* spaces located on the *road* or by a *driveway* connected to the *road*.

3 Aggregate Base Course, No. 7 stone.

4 On well-compacted sub-base.

5 Established to allow for the passage of emergency *vehicles*.

a. *Roads* shall be constructed:

1. As *internal roads*;
2. Along the contour of the land (where possible);
3. Where the subgrade of a soil is capable of supporting the *road* above;
4. Using suitable stone which is properly compacted;
5. So that water will drain from the *road* surface into the side ditches; and
6. So that, where paved *road* sections meet stone-based *road* sections, such paved *road* shall extend 50 feet from any point where the grade exceeds the maximum for a stone-based *road*.

b. *Roads* shall be provided with appropriate drainage facilities that shall be constructed:

1. In accordance with minimum *State Road Standards*;
2. With ditches which have sufficient depth and width to carry the expected volume of *stormwater runoff* (ditches should utilize *Best Management Practices* for *road* swales (such as turf matting and vegetation) to control *erosion* and *sedimentation*, and to filter pollutants from *stormwater runoff*); and
3. So that, where culverts are required for streams or minor *watercourses*, such culvert construction adheres to minimum *State Road Standards*.

c. *Roads* which serve ten (10) or more spaces, where intersecting roadways to facilitate emergency *vehicles* are not possible, shall be provided with culs-de-sac or turnarounds that shall be constructed:

1. With a minimum 35 foot radius; and
2. Using the same material required on the *road* of which it is part.

(6) Parking Requirements. Parking shall be:

- a. Provided at a rate of two (2) parking spaces per manufactured home space;

- b. In the form of off-street or apron parking; and
 - c. Constructed using a minimum of three (3) inches of crushed stone on a well-compacted subbase, or six (6) inches of ABC compacted stone. Permeable paving or other paving alternatives are encouraged.
- (7) Sewer and Water Service Provision Requirements. The approval and installation of all sewer and water system improvements shall be in accordance with this Chapter. Water and sewer systems must be installed and/or operated to meet all local and state statutes, ordinances and regulations and shall thereafter be certified by the Department of Public Health. The following shall apply:
- a. Water. Each *manufactured/mobile home* in an *MHP* shall be supplied water from either an approved municipal or public water system. Individual water wells shall not be permitted in an *MHP*. An *MHP* shall connect to a municipal *water supply system* when the system is located within a distance equal to the product of 100 feet multiplied by the number of spaces proposed for the *MHP*. If an *MHP* is located more than 5,000 feet from an existing municipal *water supply system*, such connection shall not be required.
 - b. Sewage. Each *manufactured/mobile home* in an *MHP* shall be supplied with a hookup to a septic tank, public/community sewage system or municipal sewage disposal system. An *MHP* shall connect to a municipal sewage disposal system when the system is located within a distance equal to the product of 50 feet multiplied by the number of spaces proposed for the *park*. If a *park* is located more than 2,500 feet from an existing municipal sewage disposal system, such connection shall not be required.
 - c. Exceptions to Municipal Water and Sewage Disposal System Connection Requirements. Exceptions may be allowed on the basis of terrain, availability or ease of acquiring *easements*, denial of allocation by the public utility, insufficient capacity of the municipal system or other circumstances that are unusual/unique to the site. Requests for exceptions must be made, in writing, to the *MHP Administrator* who may ask that such requests be supported by a professional engineer's review of the *manufactured home park* plans and planned route of the utility extension. Where the *MHP Administrator* finds it would not be economically feasible for an *MHP* to be connected to a municipal water supply and/or sewage disposal system, other systems may be used, subject to approval by Environmental Health and the appropriate state agencies.
- (8) Electrical System Requirements. The approval and installation of all electrical system improvements shall be in accordance with this Chapter. Electrical systems shall be installed to meet all local and state statutes, ordinances, regulations and applicable codes and shall thereafter be certified by the Building Inspector. Each *manufactured/mobile home* space in an *MHP* shall be provided with its own separate metered electrical service.
- (9) Solid Waste Collection System Requirements. The approval and installation of all solid waste collection improvements shall be in accordance with this Chapter. Solid waste collection systems must be installed and/or operated to meet all local and state statutes, ordinances and regulations and shall thereafter be certified by the Department of Public Health. Each *MHP* shall provide a suitable method of solid

- waste disposal (in accordance with Chapter 165 of the Henderson County Code, *Solid Waste*) and collection consisting of either private collection from individual *manufactured/mobile homes* or the *use* of dumpsters. Where dumpsters are used, concrete pads shall be designed to drain to a bio-retention area to filter stormwater before the water reaches a larger drainage system, and Screen Class One (1), Two (2) or Three (3) shall be provided consistent with the requirements of §200A-147 (Screen Classification).
- (10) Fire Protection Requirements. Any *MHP* served by a public water system shall meet the County's requirements for fire hydrant installation (one (1) hydrant every 1000 feet with a six (6) inch line) or applicable municipality's requirements for fire hydrant installation. For any *MHP* without a fire suppression rated water system, that either has or is adjacent to an adequate permanent surface water supply (100,000 gallon storage in a 50 year drought), the *applicant* shall be required to install a dry fire hydrant system, the type and location of which is to be determined by the County Fire Marshal. An all-weather access road for fire-fighting equipment shall be provided by the *applicant* to this permanent surface water supply. Where the *MHP* is neither served by a public water system nor has/is adjacent to an adequate permanent surface water supply, such *MHP* shall be thoroughly reviewed by the *TRC* and the *applicant* to determine alternative measures to ensure adequacy of *fire protection*.
- (11) Stormwater Drainage, Erosion and Sedimentation Control Requirements. See Article VIII (Natural Resources) Subpart E (Soil Erosion and Sedimentation Control).
- (12) Buffering. An *MHP* shall require a minimum of a B1 Buffer as detailed in §200A-133 (Buffer Determination).
- (13) Common Area Requirements. A *common area* shall be provided, that is equivalent to ten (10) percent the total *MHP* area. *Common area* shall be accessible for the *use* and enjoyment of *MHP* occupants, located as to be free of traffic hazards and maintained in good condition by the *applicant*.
- (14) Common Area Recreation and Service Facilities Restrictions. Those facilities within the *MHP* shall be for the sole purpose of serving the residents of the *MHP* and shall adhere to the development standards established therefore.
- (15) Operations. The *MHP* shall be permitted one (1) space for the placement of an office (located in a *structure* originally constructed as a *single-family dwelling* (*manufactured, modular* or conventionally built)) to conduct the business of operating the *MHP*. This office may also be located within one (1) *single-family dwelling* (*manufactured, modular* or conventionally built) where it operates as a *home occupation* and adheres to the standards outlined therefore (see SR 2.7. (*Home Occupation, General*))
- (16) Density. The number of *manufactured/mobile homes* shall be based upon the standard *residential density* of the corresponding overlay district, where one (1) *dwelling unit* shall correspond to one (1) *manufactured/mobile home*.
- (17) Manufactured Home Spaces. Manufactured home spaces shall be:
- a. Sized so as to ensure that *manufactured/mobile homes* shall meet all *setback* and separation requirements for a *manufactured/mobile home* to be placed on said space;
 - b. Prepared and graded so that there is a *slope* of no more than three (3) percent where the home is to be placed;

- c. Required to contain one (1) concrete pad (porous concrete is encouraged) or treated deck, a minimum of 100 square feet, that shall be accessible at a door location of any *manufactured/mobile home* placed thereon;
- d. Required to contain a well-constructed set of steps, made of a material other than loosely stacked brick or block, that shall be accessible at a door location of any *manufactured/mobile home* placed thereon, and which may be a part of/connected to the required pad or deck;
- e. Assigned a property address as approved by the Property Addressing Office;
- f. Identifiable by a permanent number, visible from the *road* or drive, to identify the space; and
- g. Clearly marked at all corners so that visual establishments of boundaries can be made during inspection/approval processes.

(18) **Manufactured Home Dwelling Age.** The movement of pre-1976 *manufactured homes* (hereinafter "*mobile homes*") into the County shall not be permitted. Pre-1976 *mobile homes* currently located within the County may be installed, moved or relocated provided:

- a. The *mobile home* is not currently located within an *MHP*;
- b. Relocation shall only be to an approved *manufactured home park*; and
- c. A permit has been issued by the *Zoning Administrator* authorizing such installation.

Where the *mobile home* is set up within a *manufactured home park* the *mobile home* may be sold but cannot be relocated and installed elsewhere within the County.

(19) **Percentage of Manufactured Home Park in Mobile Homes.** No more than 25 percent of spaces in a new *MHP* shall be occupied by *mobile homes*, as defined by this Chapter.

(20) **Manufactured/Mobile Home Use.** A *manufactured/mobile home* shall not be used as a storage unit, and shall only be occupied as a dwelling (or office as permitted herein).

(21) **Manufactured/Mobile Home Setup.** Each *manufactured/mobile home* shall be installed, placed and setup:

- a. On an approved manufactured home space;
- b. In accordance with the standards set by the North Carolina Department of Insurance Regulations for *manufactured/mobile homes*;
- c. So as to be separated from any other *manufactured/mobile home* a minimum of 20 feet short end to short end, 30 feet short end to long end and/or 30 feet long end to long end;
- d. So as to be *setback* (as required) from any adjacent *roads*;
- e. So as to be *setback* a minimum of 25 feet from any adjacent property;
- f. With (at the time of placement) continuous underpinning, uniform in appearance in terms of its type, color, size and age, unpierced except for openings required by the North Carolina State Building Code or North Carolina Department of Insurance Regulations for ventilation, utilities and access; and
- g. With a property address number (as assigned by the Property Addressing Office) affixed so as to be clearly visible from the *internal road/driveway*

serving the manufactured home space (in accordance with Chapter 142 of the Henderson County Code, *Property Addressing*).

(22) Signage. *Signs* shall adhere to all standards outlined in Article IX of this Chapter.

The *applicant* for an *MHP* shall provide:

- a. A minimum of one (1) *community identification sign* at each entrance, a minimum of one (1) foot in height by three (3) feet in width;
- b. *Road name signs* in accordance with Chapter 142 of the Henderson County Code, *Property Addressing*; and
- c. *Governmental signs* of a regulatory nature (including “stop” signs) in accordance with applicable local and state policies.

(23) Lighting. *Lighting mitigation* required.

SR 1.14. Nursing Home

- (1) Site Plan. Major *Site Plan* required in accordance with §200A-296 (Major Site Plan Review).
- (2) Lighting. *Lighting mitigation* required.
- (3) Certification, Licensure and Permitting. *Certificate of Need* (in accordance with NCGS §131E-178) required.
- (4) Accessibility. *Roads* shall be maintained for motor/emergency *vehicle* access (in accordance with 10A NCAC 13F .0303).
- (5) Solid Waste Collection. The facility shall provide a suitable method of solid waste disposal and collection consisting of either private collection from individual *uses* or the *use* of dumpsters (installed and/or operated to meet all local and state statutes, ordinances and regulations (including Chapter 165 of the Henderson County Code, Solid Waste) and thereafter certified by the Department of Public Health). Where dumpsters are used, Screen Class One (1), Two (2) or Three (3) shall be provided consistent with the requirements of §200A-147 (Screen Classification).

SR 1.15. Rooming and Boardinghouse

- (1) Site Plan. Major *Site Plan* required in accordance with §200A-296 (Major Site Plan Review).
- (2) Lighting. *Lighting mitigation* required.
- (3) Development Size Restrictions. The total number of *bedrooms* in a *rooming and boardinghouse* shall not exceed 12.
- (4) Structure. The *rooming and boardinghouse* shall contain:
 - a. One (1) *bathroom* for every two (2) *bedrooms*;
 - b. One (1) kitchen facility; and
 - c. Not over 75 percent of the heated *floor area* in *use* for sleeping quarters.
- (5) Residential Character. The *rooming and boardinghouse* shall be located in a *structure* originally constructed as and adhering to the standards of a *single-family dwelling*.
- (6) Operations. The *rooming and boardinghouse* shall be:
 - a. The permanent residence of the owner or the manager of the business; and
 - b. Permitted to contain *home occupations* and adhere to the additional standards outlined therefore (see SR 2.7. (*Home Occupation, General*)).

2. ACCESSORY USES

SR 2.1. *Childcare Facility (as an accessory use for a principal business)* (A *childcare facility* as an *accessory use* shall adhere to the standards outlined for *childcare facility* as a *principal use* (see SR 5.4 (*Childcare Facility*)).

- (1) Operations. A minimum of 60 percent of the children served by the facility shall be of a parent, legal guardian or grandparent serving as an on-site owner/employee of the principal business.

SR 2.2. Drive-Thru Window

- (1) Maximum Number Permitted Per Lot. Two (2) per business, three (3) per restaurant and/or five (5) per financial institution.
- (2) Structure Orientation. The drive-thru window, any communications equipment and menu *signs* shall be located so as not to be seen from any adjacent *residential zoning district* property.
- (3) Stacking Lanes. Stacking lanes shall:
 - a. Be a minimum of 100 feet in length (where window access is provided directly from a *road* of low volume);
 - b. Be distinctly marked (striping, pavement markings, parking islands, etc.);
 - c. Be separate from a passage lane (located to the outer edge of the stacking lane); and
 - d. Not placed within 75 feet of an existing *dwelling unit* (located in a *residential zoning district* and not located on the same property as the *use*).
- (4) Passage Lanes. Passage lanes shall be provided to the outer edge of the stacking lane to ensure the adequate flow of traffic on the site.
- (5) Landscaping Standards. Drive-thru windows, stacking lanes and circulation areas shall be treated as components of on-site parking for the purposes of landscaping requirements.

SR 2.3. *Dwelling, Single-Family (as an accessory use for the principal business)*

- (1) Structure Requirements. The *single-family dwelling* shall be attached to or contained within the principal *building*.
- (2) Open Space. The site shall provide an area of *open space* equivalent to the *floor area* of the *single-family dwelling*, and located on the same *lot* as the *principal use*.
- (3) Locational Requirements. The residential unit shall not be located on the front of the *principal structure* except where the *structure* is constructed in the manner of a principal business.
- (4) Operations. The *single-family dwelling* shall be occupied by the *person* engaged in the *principal use* (owner/employee/agent and/or his/her family member(s)).

SR 2.4. Fuel Pumps

- (1) Structure Requirements. Fuel pumps may be covered by a canopy which shall not exceed 25 feet in height.
- (2) Separation Requirements. Fuel pumps shall not be placed within 100 feet of an existing *dwelling unit* (located in a *residential zoning district* and not located on the

same property as the *use*), *school*, *library*, day care facility, healthcare facility, *park*, and/or *religious institution*.

- (3) Location of Drives. *Driveways* shall not be located closer than 50 feet to one another and no more than two (2) on a single *road*.

SR 2.5. Home Occupation, Adult Day Care. A *home occupation adult day care* shall adhere to standards for a *general home occupation*.

- (1) Certification, Licensure and Permitting. All adult day care homes shall be issued a certificate by the Division of Aging.
- (2) Size of Operations. An adult day care home shall house a maximum of six (6) residents.
- (3) Structure Residential Character Requirements. An adult day care home shall be located in a *structure* originally constructed as and adhering to the standards of a *single-family dwelling*.
- (4) Structure Requirements. An *adult day care facility* shall (in accordance with NCAC 10A 06R.0401-.0701 and 06S.0301):
 - a. Provide a minimum of 40 square feet of indoor space (excluding hallways, offices and restrooms) for each participant;
 - b. Provide a minimum of one (1) toilet for each 12 adults (participants and staff) in attendance at the facility;
 - c. Provide a minimum of one (1) hand lavatory for each two (2) toilets; and
 - d. Be located in a one-story *building* (OR) be located in a two-story *building* provided neither story is greater than 1,800 square feet.

SR 2.6. Home Occupation, Childcare Facility. A *home occupation (childcare)* shall adhere to standards for a *general home occupation*.

- (1) Certification, Licensure and Permitting. All *childcare* facilities shall be licensed as required by NCGS §110-91.
- (2) Development Size Restrictions. A *childcare facility* operated in a *structure* occupied by the owner/operator shall serve a maximum of (in accordance with NCAC 10 09 .1304):
 - a. Twelve (12) children when any preschool-aged children are in care; or
 - b. Fifteen (15) children when only school-aged children are in care.
- (3) Structure Residential Character Requirements. The *childcare* home shall be located in a *structure* originally constructed as and adhering to the standards of a *single-family dwelling*.
- (4) Structure Requirements. A *childcare facility* shall provide a minimum of:
 - a. Twenty-five (25) square feet of indoor space (excluding closets, hallways, kitchens and restrooms) for each child; and
 - b. Seventy five (75) square feet of outdoor play area for each child, surrounded by a fence at least four (4) feet in height.

SR 2.7. Home Occupation, General

- (1) Site Plan. A *home occupation* shall require the submittal of a minor *site plan* only if the *home occupation* requires the:
 - a. Building of an *accessory structure* to house the occupation;

- b. Building of outdoor play areas as required for in-home *childcare facilities*;
 - c. Placement of additional parking; and/or
 - d. Need for *outdoor storage*.
- (2) Development Size Restrictions. A *home occupation* shall either:
- a. Take up no more than 25 percent of the *gross floor area* of the principal dwelling; or
 - b. Be housed completely in one (1) *accessory structure* (with the exception of any *outdoor storage* requirements).
- (3) Retention of Residential Character. A *home occupation* shall be:
- a. Conducted entirely within the principal dwelling or one (1) *accessory structure*; and
 - b. Clearly incidental and secondary to the *use* of the dwelling or *structure* for residential purposes.
- (4) Operations. A *home occupation* shall:
- a. Be conducted by a resident of the principal dwelling;
 - b. Engage no more than two (2) on-site employees (other than those residing in the home) in the occupation;
 - c. Not incorporate on-premise retail sales as the primary function of the *home occupation*; and
 - d. Not involve equipment or processes used that shall create noise, vibration, glare, fumes, odor or electrical interference off the premises.
- (5) Parking. A *home occupation* generating any additional need for parking shall:
- a. Meet any additional parking needs off-street (but not in the required *front yard*); and
 - b. Be permitted a maximum of two (2) additional standard parking spaces and one (1) handicapped parking space.
- (6) Outdoor Storage. A *home occupation* which requires *outdoor storage* shall:
- a. Identify the storage requirements at the time of permit application;
 - b. Locate the storage in the *rear yard* (not in the *front* or *side yard*);
 - c. Cover no more than 10 percent of the property on which the *home occupation* is located with *outdoor storage*; and
 - d. Adhere to any additional standards for *outdoor storage*.

SR 2.8. Outdoor Storage 5,000 square feet or less

- (1) Locational Requirements. Storage areas shall not be placed in a *front yard*.
- (1) Screening. Screen Class One (1) or Two (2) shall be provided consistent with the requirements of §200A-147 (Screen Classification).

SR 2.9. Outdoor Storage greater than 5,000 square feet

- (1) Locational Requirements. Storage areas shall:
- a. Not be placed in a *front yard*; and
 - b. Not be placed in any *yard* abutting a *road*.
- (2) Screening. Screen Class Three (3) or Four (4) shall be provided consistent with the requirements of §200A-147 (Screen Classification).

SR 2.10. Rural Family Occupation

- (1) Site Plan. A *rural family occupation* shall require the submittal of a minor *site plan* where the *rural family occupation* requires:
 - a. The building of an *accessory structure*(s) to house the occupation;
 - b. The placement of additional parking; and/or
 - c. The need for *outdoor storage*.
- (2) Development Size Restrictions. A *rural family occupation* shall be housed completely in no more than two (2) *accessory structures*. The total *floor area* of all *structures* occupied by the *rural family occupation* shall not exceed 5,000 square feet.
- (3) Retention of Residential Character. A *rural family occupation* shall be incidental and secondary to the *use* of the property for residential and agricultural purposes.
- (4) Operations. A *rural family occupation* shall:
 - a. Be conducted by a resident of the principal dwelling;
 - b. Engage no more than ten (10) on-site employees (other than those residing in the home) in the occupation; and
 - c. Not involve equipment or processes used that shall create noise, vibration, glare, fumes, odor or electrical interference off premises.
- (2) Parking. A *rural family occupation* generating any additional need for parking shall be permitted a maximum of ten (10) additional leave in parking spaces and two (2) handicapped parking spaces.
- (3) Outdoor Storage. A *rural family occupation* which requires *outdoor storage* shall:
 - a. Identify the storage requirements at the time of permit application;
 - b. Cover no more than the lesser of ten (10) percent of the property or 10,000 square feet, with *outdoor storage*; and
 - c. Adhere to any additional standards for *outdoor storage*.

3. ACCESSORY STRUCTURES

SR 3.1. Airport (Private Accessory). (See SR 9.1 (*Airport (Private)*)).

SR 3.2. Automatic Teller Machine

- (1) Setbacks. An automatic teller machine shall be permitted in the *front yard setback*; however, no automatic teller machine shall be permitted closer than 20 feet to any *residential zoning district* property.
- (2) Additional Height Restrictions. No freestanding automatic teller machine shall have a *structure* height which exceeds 15 feet.
- (3) Lighting. *Adequate lighting* shall be provided for automatic teller machines during all hours of operation.

SR 3.3. Boathouse, Private

- (1) Water Dependent Structure Standards. *Water dependent structures* may extend over the water for a distance of no more than forty (40) feet from the shore as measured from *mean sea level* elevation. In no event shall a *water dependent structure*, when located in a cove or river, extend more than one-third (1/3) the width of the cove or

- river measured from the shore (as measured from *mean sea level* elevation) at the point of the proposed construction to the nearest point on the opposite shore. The *water dependent structure* shall extend into the water so as to remain confined within a projection of *side lot lines* of the *lot* on which the *structure* is accessed. Where there is conflict between this and Article VIII (Natural Resources), Subpart A (Flood Damage Prevention), the most restrictive standards shall apply.
- (2) Waterway Restriction. Boathouses shall be permitted only on waterways which are navigable for recreational boats/watercraft.
 - (3) Structure Requirements. No *private boathouse* shall have more than one (1) enclosed level above the boat storage area, and the enclosed level shall be no greater than the boat storage below (open decks, docs and stairways shall not be counted for this purpose).
 - (4) Additional Height Restrictions. No *private boathouse* shall have a height which exceeds 25 feet measured from *mean sea level*.

SR 3.4. Bulkhead

- (1) Water Dependent Structure Standards. *Water dependent structures* may extend over the water for a distance of no more than forty (40) feet from the shore as measured from *mean sea level* elevation. In no event shall a *water dependent structure*, when located in a cove or river, extend more than one-third (1/3) the width of the cove or river measured from the shore (as measured from *mean sea level* elevation) at the point of the proposed construction to the nearest point on the opposite shore. The *water dependent structure* shall extend into the water so as to remain confined within a projection of *side lot lines* of the *lot* on which the *structure* is accessed. Where there is conflict between this and Article VIII (Natural Resources), Subpart A (Flood Damage Prevention), the most restrictive standards shall apply.
- (2) Waterway Restriction. *Bulkheads* shall be permitted on all waterways.

SR 3.5. Dock/Pier

- (1) Water Dependent Structure Standards. *Water dependent structures* may extend over the water for a distance of no more than forty (40) feet from the shore as measured from *mean sea level* elevation. In no event shall a *water dependent structure*, when located in a cove or river, extend more than one-third (1/3) the width of the cove or river measured from the shore (as measured from *mean sea level* elevation) at the point of the proposed construction to the nearest point on the opposite shore. The *water dependent structure* shall extend into the water so as to remain confined within a projection of *side lot lines* of the *lot* on which the *structure* is accessed. Where there is conflict between this and Article VIII (Natural Resources), Subpart A (Flood Damage Prevention), the most restrictive standards shall apply.
- (2) Waterway Restriction. Docks and piers shall be permitted on all waterways.
- (3) Structure Requirements. Where a dock is connected to a boathouse the dock will be considered as the one (1) permitted dock per lot.

SR 3.6. Dwelling, Accessory Residential

- (1) Maximum Number Permitted Per Lot. No more than one (1) *accessory dwelling* shall be permitted on a single deeded *lot* in conjunction with the principal dwelling.

- (2) Ownership. The *accessory dwelling* shall be owned by the same *person* as the principal dwelling.
- (3) Structure Requirements.
 - a. An *accessory dwelling* may be attached, within, or separate from the principal dwelling.
 - b. The *principal use* of the *lot* shall be a detached or attached dwelling, built to the standard of the Henderson County Housing Code. *Manufactured homes* are permitted as *accessory dwellings* where such are permitted as a *principal use* in the general use zoning district. *Mobile homes, park model homes* and *recreational vehicles* shall not be used as *accessory dwellings*.
 - c. The *structure* may be a dwelling only, or may combine a dwelling with a *garage, workshop, studio, or similar use*.
- (4) Size. A detached *accessory dwelling* shall be housed in a *building* not exceeding 50 percent of the *gross floor area* of the principal dwelling or 1,200 square feet, whichever is lesser.
- (5) Accessibility. The *accessory dwelling* shall not be served by a *driveway* separate from that serving the principal dwelling unless the *accessory dwelling* is accessed from a rear *alley* or side *road* and the principal dwelling is accessed from a *road*.
- (6) Location. A detached *accessory dwelling* shall be located in the established *rear yard* and shall meet the standards for the applicable *building* and *lot* type.

SR 3.7. Gate and/or Guardhouse

- (1) Operations. *Gates and/or guardhouses* shall be for the purpose of serving residents/occupants and visitors to a private property, complex, development, *manufactured home park* or *subdivision*.
- (2) Accessibility. The developer and homeowners' association shall:
 - a. Provide unfettered access to all private *roads* by emergency and law enforcement *vehicles*. Access procedures must ensure immediate access through the *entry gates* for emergency and law enforcement *vehicles* responding to emergencies without need of special keys or codes. This may be done by *access control device* approved by the County. As an alternative the developer or homeowners association may provide a *person* to provide immediate access to emergency service personnel on a 24 hour basis. The developer and homeowner's association shall provide and annually update documentation necessary to provide this access to the Henderson County Fire Marshal and Sheriff's Department that proposed *entry gates* and access procedures meet all County standards for access by emergency and law enforcement *vehicles*. If the homeowner's association fails to maintain reliable access for the provision of emergency or other public services, the County may enter the gated *residential development* and open, disable or remove any gate or device, which is a barrier to access, at the sole expense of the homeowners' association. The declaration of covenants, conditions and restrictions and any other relevant documents of the homeowners' association shall include a statement to this effect.
 - b. Reasonably guarantee access to all private *roads* by Henderson County and State of North Carolina employees operating within the scope of their official

duties to perform zoning, inspections and other governmental regulatory activities, and to all public utility companies to perform installation and maintenance activities of public utility infrastructure. A statement to this effect shall be filed with the Henderson County Sheriff's Department and appear on the *final plat* of all new development.

- (3) Structure. Gates and/or guardhouses shall:
- a. Be *setback* sufficiently far from *public road* access to allow for the stacking of at least three (3) *vehicles* out of the public travel lanes on the *public road*;
 - b. Have an additional *setback* between the point of the *access control device* and the *entry gate* to allow a *vehicle* which is denied access to safely turn around and exit onto a *public road*;
 - c. Be provided adequate *setbacks* and proper alignment of approach and departure areas on both sides of a gated entrance to allow free and unimpeded passage of emergency *vehicles* through the entrance area;
 - d. Have sufficient minimum gate widths and openings to allow safe passage of all *vehicles*;
 - e. Where the gate crosses a travel way which permits:
 1. Two-way travel, such gate shall open so as to provide a minimum width of 18 feet of passage; or
 2. One-way travel, such gate shall open so as to provide a minimum width of 12 feet of passage; and
 - f. Provide a minimum thirteen feet six inches (13.5 feet) *vertical clearance* at its lowest point.

SR 3.8. Greenhouse

- (1) Best management practices for managing irrigation runoff are encouraged. The nutrient level in *stormwater runoff* should be no higher than pre-development levels.

SR 3.9. Heliport (Private Accessory).

- (1) Certification, Licensure and Permitting Requirements. Private accessory heliports must be constructed in accordance with Federal Aviation Administration regulations and provide proof of approval.

SR 3.10. Outdoor Sale Display Areas

- (1) Display Area Restrictions. Display areas shall not:
- a. Be located in the *sight visibility triangle*;
 - b. Be located on sidewalks or parking areas; and
 - c. Exceed 25 feet in height.

SR 3.11. Parking Garages. (See SR 7.12 (Parking Garage or Lot)).

SR 3.12. Planned Seasonal Agricultural Worker Development

- (1) Principal Structure/Use Requirement. A *planned seasonal agricultural worker development* shall be permitted only on property in recognized agricultural *use* with a minimum of ten (10) acres in such *use*.

- (2) **Development Size Restrictions.** No more than one (1) accessory residential dwelling may be sited for each ten (10) acres in agricultural *use* or two-and-one-half (2 ½) acres in *greenhouse use*. Accessory residential dwellings must be set back from property lines and *roads* as follows: three (3) to 10 units (100 foot *setback*); 11 to 15 units (150 foot *setback*). Accessory residential dwellings in a *planned seasonal agricultural worker development* shall be for the express purpose of housing seasonal workers performing seasonal agricultural work on the property of the farm/orchard.
- (3) **Structure Requirements.** A *planned seasonal agricultural worker development* shall consist of accessory residential dwellings and shall adhere to the standards therefore (excluding the maximum number permitted per lot; the restrictions in this subsection shall apply with regard to maximum number permitted (see (4) Maximum Number Permitted Per Lot).
- (4) **Maximum Number Permitted Per Lot.** Fifteen (15).

SR 3.13. Produce Stand, Accessory

- (1) **Setbacks.** *Produce stands* may be established in the *front yard setback*, but shall be placed outside the *right-of-way*.

SR 3.14. Storage Shed

- (1) **Maximum Number Permitted Per Lot.** Three (3) on a *lot* in a *residential zoning district*. No maximum is established on a *lot* in a nonresidential zoning district.
- (2) **Structure Requirements.** A storage shed may be attached to, or separate from, the *principal structure*.
- (3) **Size.** A detached storage shed shall not exceed 25 percent of the heated *floor area* of the *principal structure*.

SR 3.15. Wastewater Treatment Plant, Small Accessory

- (1) **Security.** The operations of a *package wastewater treatment plant* shall be totally enclosed by: (1) a security fence at least eight (8) feet in height; (2) a wall at least eight (8) feet in height; or (3) a fireproof building. Entrances and exits should be secured and locked.
- (2) **Screening.** Screen Class Three (3) shall be provided consistent with the requirements of §200A-147 (Screen Classification).

4. RECREATIONAL USES

SR 4.1. Amusement Park

- (1) **Site Plan.** Major *Site Plan* required in accordance with §200A-296 (Major Site Plan Review).
- (2) **Road Class.** This *use* shall be located on a *collector, thoroughfare, boulevard* and/or *expressway*.
- (3) **Lighting.** *Adequate lighting* shall be placed in areas used for vehicular/pedestrian access including, but not limited to: stairs, sidewalks, crosswalks, intersections, or changes in grade. *Lighting mitigation* required.

- (4) Perimeter Setback. One hundred (100) feet (equipment, machinery and/or mechanical devices shall not be placed within 200 feet of an existing *dwelling unit* and/or *residential zoning district*).
- (5) Security. The operations of an *amusement park* shall be totally enclosed by a security fence or wall at least eight (8) feet in height. Entrances and exits should be secured and locked during non-operating hours.
- (6) Hours of Operation. 8:00 a.m. to 12:00 midnight.

SR 4.2. Athletic Field, Non-commercial

- (1) Site Plan. Major *Site Plan* required in accordance with §200A-296 (Major Site Plan Review).
- (2) Lighting. *Lighting mitigation* required.
- (3) Public Address/Loud Speakers. Public address and loud speaker systems shall not be operated before 8:00 a.m. or after 12:00 midnight when on/adjacent to a *residential zoning district*.

SR 4.3. Campground

- (1) Site Plan. Major *Site Plan* required in accordance with §200A-296 (Major Site Plan Review).
- (2) Lighting. *Lighting mitigation* required.
- (3) Size. No *campground* located on/adjacent to a *residential zoning district* shall contain more than 200 campsites. Individual campsites shall be a minimum of 500 square feet.
- (4) Perimeter Setback. Fifty (50) feet.
- (5) Common Area. A *common area* shall be provided, that is equivalent in square footage to 25 percent the total square footage in: campsites, *structures* on site, parking areas and *driveways*. *Common area* shall be accessible for the *use* and enjoyment of *campground* occupants, located as to be free of traffic hazards and maintained in good condition by the *applicant*.
- (6) Operations. The *campground*:
 - a. May contain *structures* ancillary to the use; and
 - b. Shall be permitted one (1) store, exclusively for the sale of incidental gifts and foodstuffs.
- (7) Solid Waste Collection. The facility shall provide a suitable method of solid waste disposal and collection consisting of either private collection from individual *uses* or the *use* of dumpsters (installed and/or operated to meet all local and state statutes, ordinances and regulations (including Chapter 165 of the Henderson County Code, *Solid Waste*) and thereafter certified by the Department of Public Health). Where dumpsters are used, Screen Class One (1), Two (2) or Three (3) shall be provided consistent with the requirements of §200A-147 (Screen Classification).
- (8) Common Area Recreation and Service Facilities. Those facilities within the *campground* shall be for the sole purpose of serving the overnight guests in the *campground*, and shall adhere to the development standards established therefore in SR 4.5 (*Common Area Recreation and Service Facilities*).

SR 4.4. Coin Operated Amusements

- (1) Site Plan. Major *Site Plan* required in accordance with §200A-296 (Major Site Plan Review).
- (2) Lighting. *Lighting mitigation* required.

SR 4.5. Common Area Recreation and Service Facilities

- (1) Site Plan. Major *Site Plan* required in accordance with §200A-296 (Major Site Plan Review).
- (2) Structure. Where the *common area recreation facility* is a swimming pool, spa or hot tub, it shall be protected by a fence or equal enclosure, a minimum of four (4) feet in height, and shall have controlled access.
- (3) Operations. Common area service facilities shall be for the purpose of serving residents and visitors within the complex, development, *manufactured home park* or *subdivision*, and shall not be considered a commercial operation for *use* by those outside of the complex, development, *manufactured home park* or *subdivision*.

SR 4.6. Golf Course and/or Country Club

- (1) Site Plan. Major *Site Plan* required in accordance with §200A-296 (Major Site Plan Review).
- (2) Lighting. *Lighting mitigation* required.

SR 4.7. Governmental Recreational Facilities

- (1) Site Plan. Major *Site Plan* required in accordance with §200A-296 (Major Site Plan Review).
- (2) Lighting. *Lighting mitigation* required.
- (3) Perimeter Setback. All *structures* shall be 100 feet from a *residential zoning district* property.
- (4) Structure. For activities which present potential safety hazards (batting cages, baseball fields, driving tees, etc.) fencing, netting or other control measures shall be required.
- (5) Operations. A recreational facility may contain on-site food sales for patrons of the recreational facility only, provided they obtain all necessary permits.
- (6) Solid Waste Collection. The facility shall provide a suitable method of solid waste disposal and collection consisting of either private collection from individual *uses* or the *use* of dumpsters (installed and/or operated to meet all local and state statutes, ordinances and regulations (including Chapter 165 of the Henderson County Code, *Solid Waste*) and thereafter certified by the Department of Public Health). Where dumpsters are used, Screen Class One (1), Two (2) or Three (3) shall be provided consistent with the requirements of §200A-147 (Screen Classification).
- (7) Public Address/Loud Speakers. Public address and loud speaker systems shall not be operated before 8:00 a.m. or after 12:00 midnight.

SR 4.8. Indoor Recreational Facilities (Indoor recreational facilities shall include indoor courts (basketball, tennis, etc.), swimming pools, batting cages, shuffleboard areas and/or any other such *uses* that fit the intent of this section as interpreted by the *Zoning Administrator* and exclude go-cart tracks, miniature golf courses, driving tees and/or driving ranges.)

- (1) Site Plan. Major *Site Plan* required in accordance with §200A-296 (Major Site Plan Review).
- (2) Lighting. *Lighting mitigation* required.
- (3) Perimeter Setback. All *structures* shall be 100 feet from a *residential zoning district* property.
- (4) Structure. For activities which present potential safety hazards (batting cages, baseball fields, driving tees, etc.) fencing, netting or other control measures shall be required.
- (5) Operations. A recreational facility may contain on-site food sales for patrons of the recreational facility only, provided they obtain all necessary permits.
- (6) Solid Waste Collection. The facility shall provide a suitable method of solid waste disposal and collection consisting of either private collection from individual *uses* or the *use* of dumpsters (installed and/or operated to meet all local and state statutes, ordinances and regulations (including Chapter 165 of the Henderson County Code, Solid Waste) and thereafter certified by the Department of Public Health). Where dumpsters are used, Screen Class One (1), Two (2) or Three (3) shall be provided consistent with the requirements of §200A-147 (Screen Classification).
- (7) Public Address/Loud Speakers. Public address and loud speaker systems shall not be operated before 8:00 a.m. or after 12:00 midnight.

SR 4.9. Marina

- (1) Site Plan. Major *Site Plan* required in accordance with §200A-296 (Major Site Plan Review).
- (2) Lighting. *Lighting mitigation* required.

SR 4.10. Miniature Golf Course & Driving Tees/Range (operated for commercial purposes)

- (1) Site Plan. Major *Site Plan* required in accordance with §200A-296 (Major Site Plan Review).
- (2) Structure. Fencing, netting or other control measures shall be placed around the perimeter of any driving range area for safety purposes.
- (3) Perimeter Setback. Fifty (50) feet.

SR 4.11. Motor Sports Facilities, Major

- (1) Site Plan. Major *Site Plan* required in accordance with §200A-296 (Major Site Plan Review).
- (2) Road Class. This *use* shall be located on a *thoroughfare, boulevard* and/or *expressway*.
- (3) Lighting. *Adequate lighting* shall be placed in areas used for vehicular/pedestrian access including, but not limited to: stairs, sidewalks, crosswalks, intersections, or changes in grade. *Lighting mitigation* required

- (4) Dust Reduction. Unpaved *roads, travelways* and/or parking areas shall be treated to prevent dust from adverse affects to adjacent properties.
- (5) Separation. A *major motor sports facility* shall not be constructed or newly located within:
 - a. One and one-half (1 ½) miles of an existing *school, library, day care facility, healthcare facility and/or religious institution*; and
 - b. Fifteen hundred (1,500) feet of an existing *dwelling unit* (located in a *residential zoning district* and not located on the same property as the *use*).
- (6) Size. A *major motor sports facility* shall have seating or standing capacity of 500 or more patrons/spectators. Standing capacity shall be computed based on three (3) *persons* for each 200 square feet of space intended for spectator *use*.
- (7) Security. The operations of a *major motor sports facility* shall be totally enclosed by:
 - (1) a security fence at least eight (8) feet in height;
 - (2) a wall at least eight (8) feet in height; or
 - (3) a fireproof *building*. Entrances and exits should be secured and locked during non-operating hours.
- (8) Perimeter Setback. Three hundred (300) feet.
- (9) Perimeter Buffer. On hundred fifty (150) feet.
- (10) Public Address/Loud Speakers. Public address and loud speaker systems shall not be operated before 6:00 a.m. or after 12:00 midnight.
- (11) Racing Events.
 - a. Length of Event. An event shall be held for no more than:
 1. Three (3) consecutive days;
 2. Five (5) days in a calendar week; and
 3. Six (6) hours in a day (falling within the permitted hours of operation).
 - b. Emergency Preparedness. Employees specifically trained for fire and medical response must be located on-site during all hours of operation.
- (12) Sedimentation Control. Permanent control measures are required to retain all non-compacted soils on-site.
- (13) Hours of Operation. 6:00 a.m. to 12:00 midnight.

SR 4.12. Motor Sports Facilities, Minor

- (1) Site Plan. Major *Site Plan* required in accordance with §200A-296 (Major Site Plan Review).
- (2) Road Class. This *use* shall be located on a *collector, thoroughfare, boulevard* and/or *expressway*.
- (3) Lighting. *Adequate lighting* shall be placed in areas used for vehicular/pedestrian access including, but not limited to: stairs, sidewalks, crosswalks, intersections, or changes in grade. *Lighting mitigation* required.
- (4) Dust Reduction. Unpaved *roads, travelways* and/or parking areas shall be treated to prevent dust from adverse affects to adjacent properties.
- (5) Separation. A *minor motor sports facility* shall not be constructed or newly located within:
 - a. One (1) mile of an existing *school, library, day care facility, healthcare facility and/or religious institution*; and
 - b. One thousand (1,000) feet of an existing *dwelling unit* (located in a *residential zoning district* and not located on the same property as the *use*).

- (6) Lot Size. No more than 50 acres.
- (7) Size. A *minor motor sports facility* shall have a seating or standing capacity of less than 500 patrons/spectators and will not be considered a *recreational motor sports facility*. Standing capacity shall be computed based on three (3) *persons* for each 200 square feet of space intended for spectator *use*.
- (8) Security. The operations of a motor sports facility shall be totally enclosed by: (1) a security fence at least eight (8) feet in height; (2) a wall at least eight (8) feet in height; or (3) a fireproof *building*. Entrances and exits should be secured and locked during non-operating hours.
- (9) Perimeter Setback. One hundred fifty (150) feet.
- (10) Public Address/Loud Speakers. Public address and loud speakers systems shall not be operated before 8:00 a.m. or after 12:00 midnight.
- (11) Number of Tracks Restrictions. A *minor motor sports facility* shall have no more than three (3) tracks.
- (12) Racing Events. A racing event shall be limited in accordance with the following:
 - a. Length of Event. An event shall be held for no more than:
 1. Three (3) consecutive days;
 2. Three (3) days in a calendar week; and
 3. Six (6) hours in a day (falling within the permitted hours of operation).
 - b. Emergency Preparedness. Employees specifically trained for fire and medical response must be located on-site during all hours of operation.
- (13) Sedimentation Control. Permanent control measures are required to retain all non-compacted soils on-site.
- (14) Hours of Operation. 8:00 a.m. to 12:00 midnight.

SR 4.13. Motor Sports Facilities, Recreational

- (1) Site Plan. Major *Site Plan* required in accordance with §200A-296 (Major Site Plan Review).
- (2) Road Class. This *use* shall be located on a *collector, thoroughfare, boulevard* and/or *expressway*.
- (3) Lighting. *Adequate lighting* shall be placed in areas used for vehicular/pedestrian access including, but not limited to: stairs, sidewalks, crosswalks, intersections, or changes in grade. *Lighting mitigation* required.
- (4) Separation. A *recreational motor sports facility* shall not be constructed or newly located within 500 feet of an existing *dwelling unit* (located in a *residential zoning district* and not located on the same property as the *use*).
- (5) Size. A *recreational motor sports facility* shall have a capacity of less than 100 spectators and/or riders.
- (6) Security. The operations of a *recreational motor sports facility* shall be totally enclosed by a security fence or wall at least eight (8) feet in height. Entrances and exits should be secured and locked during non-operating hours.
- (7) Perimeter Setback. Fifty (50) feet.
- (8) Public Address/Loud Speakers. Public address and loud speaker systems are prohibited.
- (9) Screening. Screen Class One (1) shall be provided consistent with the requirements of §200A-147 (Screen Classification)).

- (10) Number of Tracks Restrictions. A *recreational motor sports facility* shall contain only one (1) racing track utilizing non-paved surfaces.
- (11) Racing Events. A racing event shall be limited in accordance with the following:
 - a. Number per Calendar Year. Five (5) or fewer.
 - b. Length of Event. An event shall be held for no more than:
 1. Three (3) consecutive days;
 2. Three (3) days in a calendar week; and
 3. Six (6) hours in a day (falling within the permitted hours of operation).
 - c. Number of Contestants. Each event may include no more than 20 total contestants; with no more than 10 contestants allowed on the track at a given time.
 - d. Emergency Preparedness. Employees specifically trained for fire and medical response must be located on-site during all hours of operation.
- (12) Dust Reduction. Unpaved *roads, travelways* and/or parking areas shall be treated to prevent dust from adversely affecting adjacent properties.
- (13) Sedimentation Control. Permanent control measures are required to retain all non-compacted soils on-site.
- (14) Hours of Operation. 8:00 a.m. to 8:00 p.m.

SR 4.14. Outdoor Recreational Facilities. *Outdoor recreational facilities* shall include courts (basketball, tennis, etc.), playing fields (soccer, baseball, etc.), swimming pools, batting cages, shuffleboard areas and/or any other such *uses* that fit the intent of this section as interpreted by the *Zoning Administrator*.

- (1) Site Plan. Major *Site Plan* required in accordance with §200A-296 (Major Site Plan Review).
- (2) Lighting. *Adequate lighting* shall be placed in areas used for vehicular/pedestrian access including, but not limited to: stairs, sidewalks, crosswalks, intersections, or changes in grade. *Lighting mitigation* required.
- (3) Perimeter Setback. One hundred (100) feet (equipment, machinery and/or mechanical devices shall not be placed within 200 feet of a *residential zoning district*. All *structures* shall be 100 feet from a *residential zoning district* property).
- (4) Structure. For activities which present potential safety hazards (batting cages, baseball fields, driving tees, etc.) fencing, netting or other control measures shall be required.
- (5) Operations. A recreational facility may contain on-site food sales for patrons of the recreational facility only, provided they obtain all necessary permits.
- (6) Solid Waste Collection. The facility shall provide a suitable method of solid waste disposal and collection consisting of either private collection from individual *uses* or the *use* of dumpsters (installed and/or operated to meet all local and state statutes, ordinances and regulations (including Chapter 165 of the Henderson County Code, *Solid Waste*) and thereafter certified by the Department of Public Health). Where dumpsters are used, Screen Class One (1), Two (2) or Three (3) shall be provided consistent with the requirements of §200A-147 (Screen Classification)).
- (7) Public Address/Loud Speakers. Public address and loud speaker systems shall not be operated before 8:00 a.m. or after 12:00 midnight.
- (8) Hours of Operation. 6:00 a.m. to 12:00 midnight.

SR 4.15. Park

- (1) Site Plan. Major *Site Plan* required in accordance with §200A-296 (Major Site Plan Review).
- (2) Lighting. *Lighting mitigation* required.

SR 4.16. Physical Fitness Center

- (1) Site Plan. Major *Site Plan* required in accordance with §200A-296 (Major Site Plan Review).
- (2) Lighting. *Lighting mitigation* required.

SR 4.17. Recreational Vehicle Park

- (1) Site Plan. Major *Site Plan* required in accordance with §200A-296 (Major Site Plan Review).
- (2) Road Class. If the *recreational vehicle park* contains more than 50 *recreational vehicle* spaces, the *use* shall be located on a *collector, thoroughfare, boulevard* and/or *expressway*.
- (3) Lighting. *Lighting mitigation* required.
- (4) Perimeter Setback. Fifty (50) feet.
- (5) Recreational Vehicle Spaces. *Recreational vehicle* spaces shall be a minimum of 2,000 square feet and shall have dimensions no less than 40 feet by 50 feet. A *recreational vehicle* space may contain up to four (4) campsites for tent set-up. No *recreational vehicle* space is permitted in the 100-year *floodplain*.
- (6) Common Area. A *common area* shall be provided, that is equivalent in square footage to 25 percent the total square footage in: *recreational vehicle/park model home* spaces, *structures* on site, parking areas and *driveways*. *Common area* shall be accessible for the use and enjoyment of *recreational vehicle park* occupants, located as to be free of traffic hazards and maintained in good condition by the *applicant*.
- (7) Operations. The *recreational vehicle park*:
 - a. Shall provide rental spaces:
 1. For the location of *recreational vehicles, park model homes* and/or tent set-up,
 2. Which may contain an open or covered porch not exceeding 15 feet in height and not to exceed 400 square feet in area, and
 3. Which have no point of direct access not indicated on the *site plan*;
 - b. May contain *structures* ancillary to the use;
 - c. Shall be permitted one (1) store, exclusively for the sale of incidental gifts and foodstuffs; and
 - d. Shall provide, at the time of application, an evacuation plan for a natural disaster event.
- (8) Solid Waste Collection. The facility shall provide a suitable method of solid waste disposal and collection consisting of either private collection from individual *uses* or the *use* of dumpsters (installed and/or operated to meet all local and state statutes, ordinances and regulations (including Chapter 165 of the Henderson County Code, *Solid Waste*) and thereafter certified by the Department of Public Health). Where dumpsters are used, Screen Class One (1), Two (2) or Three (3) shall be provided consistent with the requirements of §200A-147 (Screen Classification).

- (9) Sewage System. *Recreational vehicle/park model home* spaces shall not be provided individual hookups to a septic tank, public/community sewage system or municipal *sewage disposal system*; instead, a central dump station shall be provided for the *use* of all occupants. A *recreational vehicle park* shall connect to a municipal *sewage disposal system* when the system is located within a distance equal to the product of 50 feet multiplied by the number of spaces proposed for the *recreational vehicle park*. If a *park* is located more than 2,500 feet from an existing municipal *sewage disposal system*, such connection shall not be required.
- (10) *Common Area Recreation and Service Facilities*. Those facilities within the *recreational vehicle park* shall be for the sole purpose of serving the overnight guests in the *park*, and shall adhere to the development standards established in SR 4.5 (*Common Area Recreation and Service Facilities*).

SR 4.18. Riding Stables

- (1) Site Plan. Major *Site Plan* required in accordance with §200A-296 (Major Site Plan Review).

SR 4.19. School (Sports Instructional)

- (1) Site Plan. Major *Site Plan* required in accordance with §200A-296 (Major Site Plan Review).
- (2) Lighting. *Adequate lighting* shall be placed in areas used for vehicular/pedestrian access including, but not limited to: stairs, sidewalks, crosswalks, intersections, or changes in grade. *Lighting mitigation* required.

SR 4.20. Shooting Ranges, Indoor

- (1) Site Plan. Major *Site Plan* required in accordance with §200A-296 (Major Site Plan Review).
- (2) Lighting. *Adequate lighting* shall be placed in areas used for vehicular/pedestrian access including, but not limited to: stairs, sidewalks, crosswalks, intersections, or changes in grade. *Lighting mitigation* required.
- (3) Structure. Indoor *shooting ranges* shall be designed to contain all projectiles fired within portions of the *structure* specifically designated for firearm discharge.

SR 4.21. Shooting Ranges, Outdoor

- (1) Site Plan. Major *Site Plan* required in accordance with §200A-296 (Major Site Plan Review).
- (2) Lighting. *Adequate lighting* shall be placed in areas used for vehicular/pedestrian access including, but not limited to: stairs, sidewalks, crosswalks, intersections, or changes in grade. *Lighting mitigation* required.
- (3) Dust Reduction. Unpaved *roads, travelways* and/or parking areas shall be treated to prevent dust from adversely affects to adjacent properties.
- (4) Separation. An outdoor *shooting range* shall not be constructed or newly located within:
 - a. One-half (1/2) mile of an existing *school, library*, day care facility, healthcare facility and/or *religious institution*; and

- b. One thousand (1,000) feet of an existing *dwelling unit* (located in a *residential zoning district* and not located on the same property as the *use*).
- (5) Security. The operations of an outdoor *shooting range* shall be totally enclosed by:
 - (1) a security fence at least eight (8) feet in height; or
 - (2) a wall at least eight (8) feet in height. Entrances and exits should be secured and locked during non-operating hours.
- (6) Perimeter Setback. Two hundred (200) feet. (Storage of debris, equipment and other materials shall not be permitted in the *perimeter setback*).
- (7) Perimeter Buffer. Fifty (50) feet.
- (8) Structure. Outdoor *shooting ranges* must be designed to contain all projectiles fired on-site.
- (9) Hours of Operation. 9:00 a.m. to 8:00 p.m.

SR 4.22. *Sporting and Recreational Facilities*

- (1) Site Plan. Major *Site Plan* required in accordance with §200A-296 (Major Site Plan Review).
- (2) Lighting. *Lighting mitigation* required.
- (3) Perimeter Setback. One hundred (100) feet.
- (4) Operations. A *sporting and recreational facility* may contain on-site food sales for patrons of the *sporting and recreational facility* only, provided all necessary permits are obtained.
- (5) Solid Waste Collection. The facility shall provide a suitable method of solid waste disposal and collection consisting of either private collection from individual *uses* or the *use* of dumpsters (installed and/or operated to meet all local and state statutes, ordinances and regulations (including Chapter 165 of the Henderson County Code, Solid Waste) and thereafter certified by the Department of Public Health). Where dumpsters are used, Screen Class One (1), Two (2) or Three (3) shall be provided consistent with the requirements of §200A-147 (Screen Classification)).
- (6) Public Address/Loud Speakers. Public address and loud speaker systems shall not be operated before 8:00 a.m. or after 12:00 midnight.
- (7) Hours of Operation. For outdoor *uses*, 8:00 a.m. to 12:00 midnight.

SR 4.23. *Swim and Tennis Club*

- (1) Site Plan. Major *Site Plan* required in accordance with §200A-296 (Major Site Plan Review).
- (2) Structure. A swimming pool, spa or hot tub shall be protected by a fence or equal enclosure, a minimum of six (6) feet in height, and shall have controlled access.
- (3) Lighting. *Lighting mitigation* required.

5. EDUCATIONAL AND INSTITUTIONAL USES

SR 5.1. *Adult Day Care Facility*

- (1) Site Plan. Major *Site Plan* required in accordance with §200A-296 (Major Site Plan Review).
- (2) Lighting. *Lighting mitigation* required.

- (3) Certification, Licensure and Permitting. Certified by the Department of Health and Human Services (in accordance with *NCGS* §131D-6).
- (4) Structure. An *adult day care facility* shall (in accordance with *NCAC* 10A 06R.0401-.0701 and 06S.0301):
 - a. Provide a minimum of 40 square feet of indoor space (excluding hallways, offices and restrooms) for each participant;
 - b. Provide a minimum of one (1) toilet for each 12 adults (participants and staff) in attendance at the facility;
 - c. Provide a minimum of one (1) hand lavatory for each two (2) toilets; and
 - d. Be located in a one (1) story *building* (OR) be located in a two (2) story *building* provided neither story is greater than 1,800 square feet.

SR 5.2. Ambulance Services

- (1) Site Plan. Major *Site Plan* required in accordance with §200A-296 (Major Site Plan Review).
- (2) Lighting. *Adequate lighting* shall be placed in areas used for vehicular/pedestrian access including, but not limited to: stairs, sidewalks, crosswalks, intersections, or changes in grade. *Lighting mitigation* required.
- (3) Accessibility. *Roads* shall be maintained for motor/emergency *vehicle* access.
- (4) Operations. No drills are to be held before 8:00 a.m. or after 12:00 midnight. No ambulances or other emergency *vehicles* are to be permanently stored outdoors.

SR 5.3. Cemetery/Mausoleum/Columbarium (excluding Crematoriums)

- (1) Site Plan. Major *Site Plan* required in accordance with §200A-296 (Major Site Plan Review).
- (2) Plot Setback. Plots shall be 20 feet from any property line.
- (3) Parking/Drive. No parking or drive shall be located closer than 20 feet to a *residential zoning district*.

SR 5.4. Childcare Facility

- (1) Site Plan. Major *Site Plan* required in accordance with §200A-296 (Major Site Plan Review).
- (2) Lighting. *Lighting mitigation* required.
- (3) Certification, Licensure and Permitting. All *childcare facilities* shall be licensed by the appropriate agency (in accordance with *NCGS* §110-91).
- (4) Structure. A *childcare facility* shall provide a minimum of (in accordance with *NCGS* §110-91(6)):
 - a. Twenty-five (25) square feet of indoor space (excluding closets, hallways, kitchens and restrooms) for each child; and
 - b. Seventy five (75) square feet of outdoor play area for each child, surrounded by a fence at least four (4) feet in height.

SR 5.5. Club/Lodge

- (1) Site Plan. Major *Site Plan* required in accordance with §200A-296 (Major Site Plan Review).

- (2) Operations. A *club/lodge* may operate bars and restaurants for its members provided it obtains all necessary permits.
- (3) Lighting. *Lighting mitigation* required.
- (4) Public Address/Loud Speakers. Public address and loud speaker systems shall not be operated before 8:00 a.m. or after 12:00 midnight at any *club/lodge* located on/adjacent to a *residential zoning district*.

SR 5.6. College or University

- (1) Mixed Use District. A college or university shall be considered only as a Mixed Use (MU) District, and shall adhere to all design and development standards outlined in §200A-49 (Mixed Use District).

SR 5.7. Community Club

- (1) Site Plan. Major *Site Plan* required in accordance with §200A-296 (Major Site Plan Review).
- (2) Lighting. *Lighting mitigation* required.

SR 5.8. Correctional Facilities

- (1) Site Plan. Major *Site Plan* required in accordance with §200A-296 (Major Site Plan Review).
- (2) Road Class. This *use* shall be located on a *collector, thoroughfare, boulevard* and/or *expressway*.
- (3) Lighting. *Adequate lighting* shall be placed in areas used for vehicular/pedestrian access including, but not limited to: stairs, sidewalks, crosswalks, intersections, or changes in grade. *Lighting mitigation* required.
- (4) Dust Reduction. Unpaved *roads, travelways* and/or parking areas shall be treated to prevent dust from adversely affecting adjacent properties.
- (5) Separation. A correctional facility shall not be constructed or newly located within:
 - a. One-half (½) mile of an existing *school, library, day care facility, healthcare facility* and/or *religious institution*; and
 - b. One thousand (1,000) feet of an existing *dwelling unit* (located in a *residential zoning district* and not located on the same property as the *use*).
- (6) Security. The operations of a correctional facility shall be totally enclosed by: (1) a security fence at least eight (8) feet in height; (2) a wall at least eight (8) feet in height; or (3) a fireproof *building*. Entrances and exits should be secured and locked during non-operating hours.

SR 5.9. Fire and Rescue Station

- (1) Site Plan. Major *Site Plan* required in accordance with §200A-296 (Major Site Plan Review).
- (2) Road Class. This *use* shall be located on a *collector, thoroughfare, boulevard* and/or *expressway*.
- (3) Lighting. *Adequate lighting* shall be placed in areas used for vehicular/pedestrian access including, but not limited to: stairs, sidewalks, crosswalks, intersections, or changes in grade. *Lighting mitigation* required.
- (4) Accessibility. *Roads* shall be maintained for motor/emergency *vehicle* access.

- (5) Operations. No drills are to be held before 8:00 a.m. or after 10:00 p.m. on an existing *residential zoning district*. No fire trucks or other emergency *vehicles* are to be permanently stored outdoors.

SR 5.10. Funeral Home or Crematorium

- (1) Site Plan. Major *Site Plan* required in accordance with §200A-296 (Major Site Plan Review).
- (2) Road Class. This *use* shall be located on a *collector, thoroughfare, boulevard* and/or *expressway*.
- (3) Lighting. *Adequate lighting* shall be placed in areas used for vehicular/pedestrian access including, but not limited to: stairs, sidewalks, crosswalks, intersections, or changes in grade. *Lighting mitigation* required.

SR 5.11. Government Offices

- (1) Site Plan. Major *Site Plan* required in accordance with §200A-296 (Major Site Plan Review).
- (2) Road Class. This *use* shall be located on a *collector, thoroughfare, boulevard* and/or *expressway*.
- (3) Lighting. *Adequate lighting* shall be placed in areas used for vehicular/pedestrian access including, but not limited to: stairs, sidewalks, crosswalks, intersections, or changes in grade. *Lighting mitigation* required.

SR 5.12. Homeless Shelter

- (1) Site Plan. Major *Site Plan* required in accordance with §200A-296 (Major Site Plan Review).
- (2) Road Class. This *use* shall be located on a *collector, thoroughfare, boulevard* and/or *expressway*.
- (3) Lighting. *Adequate lighting* shall be placed in areas used for vehicular/pedestrian access including, but not limited to: stairs, sidewalks, crosswalks, intersections, or changes in grade. *Lighting mitigation* required.
- (4) Location. No new homeless shelter shall be located within a one-half (½) mile radius of an existing homeless shelter or *family care home*.
- (5) Structure. A homeless shelter shall provide a minimum of 50 square feet of indoor space (excluding closets, hallways, kitchens and restrooms) for each individual to be sheltered.
- (6) Operations. The owner/operator of the shelter shall provide continuous, on-site supervision by him/herself, employee(s) and/or volunteer(s) during the hours of operation.

SR 5.13. Hospital

- (1) Mixed Use District. A hospital shall be considered only as a Mixed Use (MU) District, and shall adhere to all design and development standards outlined in §200A-49 (Mixed Use District).

SR 5.14. Museum, *Library/Archive*

- (1) Site Plan. Major *Site Plan* required in accordance with §200A-296 (Major Site Plan Review).
- (2) Lighting. *Lighting mitigation* required.

SR 5.15. Place of Assembly, Large

- (1) Site Plan. Major *Site Plan* required in accordance with §200A-296 (Major Site Plan Review).
- (2) Road Class. This *use* shall be located on a *collector, thoroughfare, boulevard* and/or *expressway*.
- (3) Lighting. *Adequate lighting* shall be placed in areas used for vehicular/pedestrian access including, but not limited to: stairs, sidewalks, crosswalks, intersections, or changes in grade. *Lighting mitigation* required.
- (4) Structure. A *structure* shall be designed to accommodate a minimum of 500 *persons*.
- (5) Perimeter Setback. Fifty (50) feet.

SR 5.16. Place of Assembly, Small

- (1) Site Plan. Major *Site Plan* required in accordance with §200A-296 (Major Site Plan Review).
- (2) Road Class. This *use* shall be located on a *collector, thoroughfare, boulevard* and/or *expressway* when located on a property in a *residential zoning district*.
- (3) Lighting. *Lighting mitigation* required.
- (4) Structure. A *structure* shall be designed to accommodate a minimum of 40 and a maximum of 499 persons.
- (5) Perimeter Setback. Fifty (50) feet.

SR 5.17. Police Station

- (1) Site Plan. Major *Site Plan* required in accordance with §200A-296 (Major Site Plan Review).
- (2) Road Class. This *use* shall be located on a *collector, thoroughfare, boulevard* and/or *expressway*.
- (3) Lighting. *Adequate lighting* shall be placed in areas used for vehicular/pedestrian access including, but not limited to: stairs, sidewalks, crosswalks, intersections, or changes in grade. *Lighting mitigation* required.
- (4) Accessibility. *Roads* shall be maintained for motor/emergency *vehicle* access.
- (5) Operations. No drills are to be held before 6:00 a.m. or after 10:00 p.m.

SR 5.18. Religious Institution

- (1) Site Plan. Major *Site Plan* required in accordance with §200A-296 (Major Site Plan Review).
- (2) Lighting. *Lighting mitigation* required.
- (3) Operations. A *religious institution* shall be permitted *accessory uses* provided the requested *accessory use* is permitted as a principal/*accessory use* in the district in which the *religious institution* is located.

SR 5.19. School (Public/Private/Charter)

- (1) Site Plan. Major *Site Plan* required in accordance with §200A-296 (Major Site Plan Review).

- (2) Road Class. This *use* shall be located on a *collector, thoroughfare, boulevard* and/or *expressway* when located on a property in a *residential zoning district*.
- (3) Lighting. *Lighting mitigation* required.
- (4) Operations. A *school* shall be permitted *accessory uses* provided the requested *accessory use* is permitted as a *principal/accessory use* in the district in which the *school* is located. Additional signage shall not be permitted for the *accessory use*.
- (5) Public Address/Loud Speakers. Public address and loud speaker systems shall not be operated before 7:00 a.m. or after 12:00 midnight when on/adjacent to a *residential zoning district*.

SR 5.20. Youth Center

- (1) Site Plan. Major *Site Plan* required in accordance with §200A-296 (Major Site Plan Review).
- (2) Lighting. *Lighting mitigation* required.

6. BUSINESS, PROFESSIONAL, AND PERSONAL USES**SR 6.1. Animal Shelter**

- (1) Site Plan. Major *Site Plan* required in accordance with §200A-296 (Major Site Plan Review).
- (2) Lighting. *Adequate lighting* shall be placed in areas used for vehicular/pedestrian access including, but not limited to: stairs, sidewalks, crosswalks, intersections, or changes in grade. *Lighting mitigation* required.
- (3) Animal Control. An *animal shelter* shall adhere to the standards outlined for such in Chapter 66A of the Henderson County Code, *Animal Control Ordinance*.

SR 6.2. Automobile and Equipment Service (Including all car service related uses with bays)

- (1) Site Plan. Major *Site Plan* required in accordance with §200A-296 (Major Site Plan Review).
- (2) Lighting. *Adequate lighting* shall be placed in areas used for vehicular/pedestrian access including, but not limited to: stairs, sidewalks, crosswalks, intersections, or changes in grade. *Lighting mitigation* required.
- (3) Separation. An *automobile and equipment service* shall not be constructed or newly located within 50 feet of an existing *dwelling unit* (located in a *residential zoning district* and not located on the same property as the *use*), *school, library, day care facility, healthcare facility, park, and/or religious institution*.
- (4) Operations. Auto inspection stations and tire recapping shall be permitted as *accessory uses* provided each is conducted within an enclosed *structure* and that neither is the principal business.

SR 6.3. Automotive Towing

- (1) Site Plan. Major *Site Plan* required in accordance with §200A-296 (Major Site Plan Review).

- (2) Lighting. *Adequate lighting* shall be placed in areas used for vehicular/pedestrian access including, but not limited to: stairs, sidewalks, crosswalks, intersections, or changes in grade. *Lighting mitigation* required.
- (3) Security. The operations of an automotive towing *use* shall be totally enclosed by: (1) a security fence at least eight (8) feet in height; (2) a wall at least eight (8) feet in height; or (3) a fireproof *building*. Entrances and exits should be secured and locked during non-operating hours.
- (4) Dust Reduction. Unpaved *roads, travelways* and/or parking areas shall be treated to prevent dust from adverse affects to adjacent properties.
- (5) Outdoor Storage. Storage of more than four (4) *vehicles* on site for a period greater than 24 hours constitutes an *outdoor storage* (see SR 2.8 and SR 2.9 (Outdoor Storage)).

SR 6.4. Broadcasting and Communications Facilities

- (1) Site Plan. Major *Site Plan* required in accordance with §200A-296 (Major Site Plan Review).
- (2) Lighting. *Adequate lighting* shall be placed in areas used for vehicular/pedestrian access including, but not limited to: stairs, sidewalks, crosswalks, intersections, or changes in grade. *Lighting mitigation* required.

SR 6.5. Car Wash (Automatic and Self Service)

- (1) Site Plan. Major *Site Plan* required in accordance with §200A-296 (Major Site Plan Review).
- (2) Lighting. *Adequate lighting* shall be placed in areas used for vehicular/pedestrian access including, but not limited to: stairs, sidewalks, crosswalks, intersections, or changes in grade. *Lighting mitigation* required.
- (3) Structure. All associated lanes and *driveways* shall be covered with an all-weather surface.
- (4) Parking/Drive. Parking areas/stacking facilities shall be designed to ensure parked/waiting *vehicles* do not block sidewalks, *driveways* or *roads*.
- (5) On-Site Drainage System. Provisions shall be made for an on-site drainage system to capture water used to wash *vehicles*. The drainage plan shall be evaluated by the *Zoning Administrator* to determine that the water from the facility will not have a detrimental effect on adjacent property, *roads* and/or surface waters.
- (6) Operations. Storage or repair of *vehicles* shall not be permitted within the car washing facility.
- (7) Screening. Screen Class Two (2) shall be provided consistent with the requirements of §200A-147 (Screen Classification)).

SR 6.6. Exterminating and Pest Control Services

- (1) Site Plan. Major *Site Plan* required in accordance with §200A-296 (Major Site Plan Review).
- (2) Lighting. *Adequate lighting* shall be placed in areas used for vehicular/pedestrian access including, but not limited to: stairs, sidewalks, crosswalks, intersections, or changes in grade. *Lighting mitigation* required.

SR 6.7. Kennel (A *kennel* shall adhere to the standards outlined for such in Chapter 66A of the Henderson County Code, *Animal Control Ordinance*.)

- (1) Site Plan. Major *Site Plan* required in accordance with §200A-296 (Major Site Plan Review).
- (2) Lighting. *Adequate lighting* shall be placed in areas used for vehicular/pedestrian access including, but not limited to: stairs, sidewalks, crosswalks, intersections, or changes in grade. *Lighting mitigation* required.
- (3) Separation. A *kennel* shall not be constructed or newly located within 200 feet of an existing *dwelling unit* (located in a *residential zoning district* and not located on the same property as the *use*).
- (4) Structure. The *kennel* shall provide pens which are enclosed and adequately ventilated.
- (5) Operations. Limited outdoor exercise runs/facilities shall be permitted, however, hours of use shall be restricted to from 8:00 a.m. to 8:00 p.m. Food and animal refuse shall be kept in airtight containers.
- (6) Screening. Screen Class Three (3) shall be provided consistent with the requirements of §200A-147 (Screen Classification).
- (7) Solid Waste Collection. The facility shall provide a suitable method of solid waste disposal and collection consisting of either private collection from individual *uses* or the *use* of dumpsters (installed and/or operated to meet all local and state statutes, ordinances and regulations (including Chapter 165 of the Henderson County Code, *Solid Waste*) and thereafter certified by the Department of Public Health). Where dumpsters are used, Screen Class One (1), Two (2) or Three (3) shall be provided consistent with the requirements of §200A-147 (Screen Classification)).

SR 6.8. Motel/Hotel

- (1) Site Plan. Major *Site Plan* required in accordance with §200A-296 (Major Site Plan Review).
- (2) Road Class. This *use* shall be located on a *collector, thoroughfare, boulevard* and/or *expressway*.
- (3) Lighting. *Adequate lighting* shall be placed in areas used for vehicular/pedestrian access including, but not limited to: stairs, sidewalks, crosswalks, intersections, or changes in grade. *Lighting mitigation* required.
- (4) Lot Size. One or more acres.

SR 6.9. Office: Business, Professional and Public

- (1) Site Plan. Major *Site Plan* required in accordance with §200A-296 (Major Site Plan Review).
- (2) Lighting. *Adequate lighting* shall be placed in areas used for vehicular/pedestrian access including, but not limited to: stairs, sidewalks, crosswalks, intersections, or changes in grade. *Lighting mitigation* required.

SR 6.10. School (Technical, Trade and Business)

- (1) Site Plan. Major *Site Plan* required in accordance with §200A-296 (Major Site Plan Review).

- (2) Road Class. This *use* shall be located on a *collector, thoroughfare, boulevard* and/or *expressway*.
- (3) Lighting. *Adequate lighting* shall be placed in areas used for vehicular/pedestrian access including, but not limited to: stairs, sidewalks, crosswalks, intersections, or changes in grade. *Lighting mitigation* required.
- (4) Dust Reduction. Unpaved *roads, travelways* and/or parking areas shall be treated to prevent dust from adverse affects to adjacent properties.
- (5) Separation. Mechanical equipment shall not be placed within 300 feet of an existing *dwelling unit* (located in a *residential zoning district* and not located on the same property as the *use*).
- (6) Outdoor Training Facilities. A *school* which contains an outdoor training facility shall place such facility in the *side* or *rear yard*.

SR 6.11. Theatre, Drive-In

- (1) Site Plan. Major *Site Plan* required in accordance with §200A-296 (Major Site Plan Review).
- (2) Lighting. *Adequate lighting* shall be placed in areas used for vehicular/pedestrian access including, but not limited to: stairs, sidewalks, crosswalks, intersections, or changes in grade. *Lighting mitigation* required.
- (3) Dust Reduction. Unpaved *roads, travelways* and/or parking areas shall be treated to prevent dust from adverse affects to adjacent properties.
- (4) Operations. A drive-in theatre may contain on-site food sales for patrons of the drive-in theatre only, provided they obtain all necessary permits. The property may be used for other permitted *uses* of the zoning district through the *special use* permit process.
- (5) Lighting. *Lighting mitigation* required.
- (6) Public Address/Loud Speakers. Public address and loud speakers systems shall not be permitted.
- (7) Hours of Operation. 8:00 a.m. to 2:00 a.m.

SR 6.12. Tire Recapping

- (1) Site Plan. Major *Site Plan* required in accordance with §200A-296 (Major Site Plan Review).
- (2) Road Class. This *use* shall be located on a *collector, thoroughfare, boulevard* and/or *expressway*.
- (3) Lighting. *Adequate lighting* shall be placed in areas used for vehicular/pedestrian access including, but not limited to: stairs, sidewalks, crosswalks, intersections, or changes in grade. *Lighting mitigation* required.
- (4) Separation. A tire recapping service shall not be constructed or newly located within 100 feet of an existing *dwelling unit* (located in a *residential zoning district* and not located on the same property as the *use*), *school, library, day care facility, healthcare facility, park, and/or religious institution*.
- (5) Dust Reduction. Unpaved *roads, travelways* and/or parking areas shall be treated to prevent dust from adverse affects to adjacent properties.
- (6) Outdoor Storage. Storage of more than four (4) *vehicles, salvaged vehicles* or *vehicle parts* on site for a period greater than 24 hours constitutes an *outdoor storage* (see SR 2.8 and SR 2.9 (Outdoor Storage)).

SR 6.13. Urgent Care Clinic

- (1) Site Plan. Major *Site Plan* required in accordance with §200A-296 (Major Site Plan Review).
- (2) Lighting. *Adequate lighting* shall be placed in areas used for vehicular/pedestrian access including, but not limited to: stairs, sidewalks, crosswalks, intersections, or changes in grade. *Lighting mitigation* required.
- (3) Accessibility. *Roads* shall be maintained for motor/emergency *vehicle* access. Points of ingress/egress shall be designed so as to allow for ease of entrance/exit for emergency *vehicles* in relation to the surrounding development, roadways and traffic patterns.

7. RETAIL TRADE**SR 7.1. Adult Book and Retail Merchandise Store**

- (1) Site Plan. Major *Site Plan* required in accordance with §200A-296 (Major Site Plan Review).
- (2) Lighting. *Adequate lighting* shall be placed in areas used for vehicular/pedestrian access including, but not limited to: stairs, sidewalks, crosswalks, intersections, or changes in grade. *Lighting mitigation* required.
- (3) Separation. An *adult book and/or retail merchandise store* shall not be constructed or newly located within 1,000 feet (measurements from the property line of the proposed store to the property line of the district/use) of an existing *dwelling unit* (located in a *residential zoning district* and not located on the same property as the *use*), *residential zoning district, school, library, day care facility, park, religious institution* (including *accessory uses* not located on the same lot, but contiguous to the principal place of worship) and/or another adult establishment (stores or entertainment) in straight-line distance.
- (4) Structure Requirements. The *principal* or any *accessory structure* to the principal business shall not contain any sleeping quarters. Where viewing booths are provided such are to be designed as to allow the *person* or occupants to be completely visible from a portion of the premise open and available to the public.
- (5) Operations. No *person* shall be employed nor be allowed on premise if they are less than 18 years of age.
- (6) Perimeter Setback. Thirty (30) feet.

SR 7.2. Adult Theatres and Live Entertainment

- (1) Site Plan. Major *Site Plan* required in accordance with §200A-296 (Major Site Plan Review).
- (2) Lighting. *Adequate lighting* shall be placed in areas used for vehicular/pedestrian access including, but not limited to: stairs, sidewalks, crosswalks, intersections, or changes in grade. *Lighting mitigation* required.
- (3) Separation. An *adult theatre and/or live entertainment venue* shall not be constructed or newly located within (measurements from the property line of the proposed theatre/venue to the property line of the district or use):

- a. Fifteen hundred (1,500) feet of an existing *school, library, day care facility, park* and/or *religious institution* (including *accessory uses* not located on the same *lot*, but contiguous to the principal place of worship); and
 - b. One thousand (1,000) feet of an existing *dwelling unit* (located in a *residential zoning district* and not located on the same property as the *use*), *residential zoning district* and/or another adult establishment (stores and entertainment) in straight-line distance.
- (4) Structure Requirements. The *principal* or any *accessory structure* to the principal business shall not contain any sleeping quarters. Where viewing booths are provided such are to be designed as to allow the *person* or occupants to be completely visible from a portion of the premise open and available to the public.
 - (5) Operations. No *person* shall be employed nor be allowed on premise if they are less than 18 years of age.
 - (6) Perimeter Setback. Fifty (50) feet.
 - (7) Hours of Operation. 12:00 noon to 2:00 a.m.

SR 7.3. Cinema Complex

- (1) Site Plan. Major *Site Plan* required in accordance with §200A-296 (Major Site Plan Review).
- (2) Lighting. *Adequate lighting* shall be placed in areas used for vehicular/pedestrian access including, but not limited to: stairs, sidewalks, crosswalks, intersections, or changes in grade. *Lighting mitigation* required.

SR 7.4. Convenience Store

- (1) Site Plan. Major *Site Plan* required in accordance with §200A-296 (Major Site Plan Review).
- (2) Lighting. *Adequate lighting* shall be placed in areas used for vehicular/pedestrian access including, but not limited to: stairs, sidewalks, crosswalks, intersections, or changes in grade. *Lighting mitigation* required.

SR 7.5. Entertainment Complex

- (1) Site Plan. Major *Site Plan* required in accordance with §200A-296 (Major Site Plan Review).
- (2) Lighting. *Adequate lighting* shall be placed in areas used for vehicular/pedestrian access including, but not limited to: stairs, sidewalks, crosswalks, intersections, or changes in grade. *Lighting mitigation* required.
- (3) Perimeter Setback. One hundred (100) feet.
- (4) Dust Reduction. Unpaved *roads, travelways* and/or parking areas shall be treated to prevent dust from adverse affects to adjacent properties.

SR 7.6. Flea Market

- (1) Site Plan. Major *Site Plan* required in accordance with §200A-296 (Major Site Plan Review).
- (2) Lighting. *Adequate lighting* shall be placed in areas used for vehicular/pedestrian access including, but not limited to: stairs, sidewalks, crosswalks, intersections, or changes in grade. *Lighting mitigation* required.

- (3) Dust Reduction. Unpaved *roads, travelways* and/or parking areas shall be treated to prevent dust from adverse affects to adjacent properties.

SR 7.7. Fuel Oil Distribution and Sales

- (1) Site Plan. Major *Site Plan* required in accordance with §200A-296 (Major Site Plan Review).
- (2) Lighting. *Adequate lighting* shall be placed in areas used for vehicular/pedestrian access including, but not limited to: stairs, sidewalks, crosswalks, intersections, or changes in grade. *Lighting mitigation* required.
- (3) Dust Reduction. Unpaved *roads, travelways* and/or parking areas shall be treated to prevent dust from adverse affects to adjacent properties.

SR 7.8. Landscaping Materials Sales and Storage

- (1) Site Plan. Major *Site Plan* required in accordance with §200A-296 (Major Site Plan Review).
- (2) Lighting. *Adequate lighting* shall be placed in areas used for vehicular/pedestrian access including, but not limited to: stairs, sidewalks, crosswalks, intersections, or changes in grade. *Lighting mitigation* required.
- (3) Dust Reduction. Unpaved *roads, travelways* and/or parking areas shall be treated to prevent dust from adverse affects to adjacent properties.

SR 7.9. Manufactured/Mobile Home Sales

- (1) Site Plan. Major *Site Plan* required in accordance with §200A-296 (Major Site Plan Review).
- (2) Lighting. *Adequate lighting* shall be placed in areas used for vehicular/pedestrian access including, but not limited to: stairs, sidewalks, crosswalks, intersections, or changes in grade. *Lighting mitigation* required.
- (3) Separation. A *manufactured home sales* site shall not be constructed or newly located within 100 feet of an existing *dwelling unit* (located in a *residential zoning district* and not located on the same property as the *use*).
- (4) Lot Size. One or more acres.
- (5) Dust Reduction. Unpaved *roads, travelways* and/or parking areas shall be treated to prevent dust from adverse affects to adjacent properties.
- (6) Structure. Display homes shall:
 - a. Have a minimum separation of at least ten (10) feet from one another;
 - b. Be level and blocked;
 - c. Be provided with continuous underpinning or landscaping; and
 - d. Be accessible via a well-constructed set of steps, made of a material other than loosely stacked brick or block.

SR 7.10. Motor Vehicle Sales or Leasing (Including automobile, motorcycle, boat and recreational sales and rental cars)

- (1) Site Plan. Major *Site Plan* required in accordance with §200A-296 (Major Site Plan Review).

- (2) Lighting. *Adequate lighting* shall be placed in areas used for vehicular/pedestrian access including, but not limited to: stairs, sidewalks, crosswalks, intersections, or changes in grade. *Lighting mitigation* required.
- (3) Dust Reduction. Unpaved *roads, travelways* and/or parking areas shall be treated to prevent dust from adverse affects to adjacent properties.

SR 7.11. Open Air Market

- (1) Site Plan. Major *Site Plan* required in accordance with §200A-296 (Major Site Plan Review).
- (2) Lighting. *Adequate lighting* shall be placed in areas used for vehicular/pedestrian access including, but not limited to: stairs, sidewalks, crosswalks, intersections, or changes in grade. *Lighting mitigation* required.

SR 7.12. Parking Garage or Lot (requiring payment)

- (1) Site Plan. Major *Site Plan* required in accordance with §200A-296 (Major Site Plan Review).
- (2) Lighting. *Adequate lighting* shall be placed in areas used for vehicular/pedestrian access including, but not limited to: stairs, sidewalks, crosswalks, intersections, or changes in grade. *Lighting mitigation* required.
- (3) Structure. A parking garage shall not exceed five (5) (above ground) levels.
- (4) Perimeter Setback. Twenty-five (25) feet.
- (5) Perimeter Buffer. A minimum of a *Buffer B1* shall be required for a parking garage (see §200A-147 (Screen Classification)).

SR 7.13. Produce Stand

- (1) Site Plan. Major *Site Plan* required in accordance with §200A-296 (Major Site Plan Review).
- (2) Lighting. *Adequate lighting* shall be placed in areas used for vehicular/pedestrian access including, but not limited to: stairs, sidewalks, crosswalks, intersections, or changes in grade. *Lighting mitigation* required.

SR 7.14. Retail Sales and Services Less than or Equal to 50,000 Square Feet (of Gross Floor Area)

- (1) Site Plan. Major *Site Plan* required in accordance with §200A-296 (Major Site Plan Review).
- (2) Lighting. *Adequate lighting* shall be placed in areas used for vehicular/pedestrian access including, but not limited to: stairs, sidewalks, crosswalks, intersections, or changes in grade. *Lighting mitigation* required.

SR 7.15. Retail Sales and Services Greater than 50,000 Square Feet but Less than or Equal to 100,000 Square Feet (of Gross Floor Area)

- (1) Site Plan. Major *Site Plan* required in accordance with §200A-296 (Major Site Plan Review).
- (2) Road Class. This *use* shall be located on a *collector, thoroughfare, boulevard* and/or *expressway*.

- (3) Lighting. *Adequate lighting* shall be placed in areas used for vehicular/pedestrian access including, but not limited to: stairs, sidewalks, crosswalks, intersections, or changes in grade. *Lighting mitigation* required.
- (4) Separation. *Structures* shall not be placed within 75 feet of an existing *dwelling unit* (located in a *residential zoning district* and not located on the same property as the *use*).
- (5) Road Frontage. One hundred (100) or more feet.
- (6) Sign Areas. A minimum of 100 square feet of planted area (minimum five (5) foot width) shall be provided around the base of any freestanding *sign*.
- (7) Pedestrian Facilities. Sidewalks shall be a minimum of five (5) feet wide, excluding curb width.

SR 7.16. Retail Sales and Services Greater than 100,000 Square Feet but Less than or Equal to 150,000 Square Feet (of Gross Floor Area)

- (1) Site Plan. Major *Site Plan* required in accordance with §200A-296 (Major Site Plan Review).
- (2) Road Class. This *use* shall be located on a *collector, thoroughfare, boulevard* and/or *expressway*.
- (3) Lighting. *Adequate lighting* shall be placed in areas used for vehicular/pedestrian access including, but not limited to: stairs, sidewalks, crosswalks, intersections, or changes in grade. *Lighting mitigation* required.
- (4) Separation. *Structures* shall not be placed within 75 feet of an existing *dwelling unit* (located in a *residential zoning district* and not located on the same property as the *use*).
- (5) Road Frontage. One hundred (100) or more feet.
- (6) Sign Areas. A minimum of 100 square feet of planted area (minimum five (5) foot width) shall be provided around the base of any freestanding *sign*.
- (7) Pedestrian Facilities. Sidewalks shall be a minimum of five (5) feet wide, excluding curb width.

SR 7.17. Retail Sales and Services Greater than 150,000 Square Feet (of Gross Floor Area)

- (1) Site Plan. Major *Site Plan* required in accordance with §200A-296 (Major Site Plan Review).
- (2) Road Class. This *use* shall be located on a *collector, thoroughfare, boulevard* and/or *expressway*.
- (3) Lighting. *Adequate lighting* shall be placed in areas used for vehicular/pedestrian access including, but not limited to: stairs, sidewalks, crosswalks, intersections, or changes in grade. *Lighting mitigation* required.
- (4) Separation. *Structures* shall not be placed within 75 feet of an existing *dwelling unit* (located in a *residential zoning district* and not located on the same property as the *use*).
- (5) Road Frontage. One hundred (100) or more feet.
- (6) Sign Areas. A minimum of 100 square feet of planted area (minimum five (5) foot width) shall be provided around the base of any freestanding *sign*.

- (7) Pedestrian Facilities. Sidewalks shall be a minimum of five (5) feet wide, excluding curb width.

SR 7.18. Shopping Mall

- (1) *Site Plan*. Major *Site Plan* required in accordance with §200A-296 (Major Site Plan Review).
- (2) *Road Class*. This *use* shall be located on a *collector, thoroughfare, boulevard* and/or *expressway*.
- (3) *Lighting*. *Adequate lighting* shall be placed in areas used for vehicular/pedestrian access including, but not limited to: stairs, sidewalks, crosswalks, intersections, or changes in grade. *Lighting mitigation* required.
- (4) *Separation*. *Structures* shall not be placed within 75 feet of an existing *dwelling unit* (located in a *residential zoning district* and not located on the same property as the *use*).
- (5) *Road Frontage*. One hundred (100) or more feet.
- (6) *Sign Areas*. A minimum of 100 square feet of planted area (with a minimum width of five (5) feet) shall be provided around the base of any freestanding *sign*.
- (7) Pedestrian Facilities. Sidewalks shall be a minimum of five (5) feet wide, excluding curb width.

SR 7.19. Truck Stop

- (1) *Site Plan*. Major *Site Plan* required in accordance with §200A-296 (Major Site Plan Review).
- (2) *Road Class*. This shall be located on a *collector, thoroughfare, boulevard* and/or *expressway*.
- (3) *Lighting*. *Adequate lighting* shall be placed in areas used for vehicular/pedestrian access including, but not limited to: stairs, sidewalks, crosswalks, intersections, or changes in grade. *Lighting mitigation* required.
- (4) *Dust Reduction*. Unpaved *roads, travelways* and/or parking areas shall be treated to prevent dust from adverse affects to adjacent properties.
- (5) *Separation*. Truck stop facilities shall not be constructed or newly located within 100 feet of an existing *dwelling unit* (located in a *residential zoning district* and not located on the same property as the *use*), *school, library, day care facility, healthcare facility, park* and/or *religious institution*.
- (6) *Lot Size*. Two (2) or more acres.
- (7) *Operations*. Those *uses* which may be contained within the principal *building* shall include: convenience store, restaurant, TV/recreational lounge(s), restroom facilities and *dormitory* space.

8. WHOLESALE TRADE**SR 8.1. Wholesale Trade**

- (1) *Site Plan*. Major *Site Plan* required in accordance with §200A-296 (Major Site Plan Review).

- (2) Lighting. *Adequate lighting* shall be placed in areas used for vehicular/pedestrian access including, but not limited to: stairs, sidewalks, crosswalks, intersections, or changes in grade. *Lighting mitigation* required.
- (3) Dust Reduction. Unpaved *roads, travelways* and/or parking areas shall be treated to prevent dust from adverse affects to adjacent properties.
- (4) Separation. A *wholesale trade structure* or storage area shall not be constructed or newly located within 100 feet of an existing *dwelling unit* (located in a *residential zoning district* and not located on the same property as the *use*).

9. TRANSPORTATION, WAREHOUSING, AND UTILITIES

SR 9.1. Airport (Private)

- (1) Site Plan. Major *Site Plan* required in accordance with §200A-296 (Major Site Plan Review).
- (2) Lighting. *Adequate lighting* shall be placed in areas used for vehicular/pedestrian access including, but not limited to: stairs, sidewalks, crosswalks, intersections, or changes in grade. *Lighting mitigation* required.
- (3) Dust Reduction. Unpaved *roads, travelways* and/or parking areas shall be treated to prevent dust from adverse affects to adjacent properties.
- (4) Separation. A *private airport* shall not be constructed or newly located within one-quarter (1/4) mile of an existing *school, library, day care facility* and/or *religious institution*.

SR 9.2. Airport (Public)

- (1) Site Plan. Major *Site Plan* required in accordance with §200A-296 (Major Site Plan Review).
- (2) Road Class. This *use* shall be located on a *collector, thoroughfare, boulevard* and/or *expressway*.
- (3) Lighting. *Adequate lighting* shall be placed in areas used for vehicular/pedestrian access including, but not limited to: stairs, sidewalks, crosswalks, intersections, or changes in grade. *Lighting mitigation* required.
- (4) Dust Reduction. Unpaved *roads, travelways* and/or parking areas shall be treated to prevent dust from adverse affects to adjacent properties.
- (5) Certification, Licensure and Permitting. A *public airport* must provide proof of development approval from the Federal Aviation Administration.
- (6) Separation. A *public airport* shall not be constructed or newly located within:
 - a. One-quarter (1/4) mile of an existing *school, library, day care facility* and/or *religious institution*; and
 - b. Five hundred (500) feet of an existing *dwelling unit* (located in a *residential zoning district* and not located on the same property as the *use*).
- (7) Security. The aircraft movement areas of a *public airport* shall be totally enclosed by a security fence or wall at least eight (8) feet in height. Entrances and exits should be secured and locked during non-operating hours.

SR 9.3. Communication Facilities

(1) General Standards.

- a. Site Plan. Communication Facility *Site Plan* in accordance with §200A-293 (Communication Facility Site Plan Review).
- b. Certification, Licensure and Permitting. Prior to erecting, installing or operating a communication facility, a structural engineering certification certifying the integrity of the communication facility, shall be signed and sealed by a professional engineer.
- c. Communication facilities proposed to be constructed in areas designated as *Protected Mountain Ridges* shall not exceed 100 feet in height.
- d. Lighting. No permanent strobe lights shall be permitted on the *communication tower* unless required by local, state or federal laws pertaining to the establishment and operation of a communications facility. Ground level security lighting may be permitted if designed to minimize impacts on adjacent properties.
- e. Noise. Unusual sound emissions, including but not limited to buzzers and alarms, shall not be permitted.
- f. Screening. Screen Class Four (4) shall be provided consistent with the requirements of §200A-147 (Screen Classification)).
- g. Sign Standards. A *sign* which includes the name of the communication facility owner(s)/operator(s), emergency telephone numbers and the assigned communication facility registration number shall be displayed in a visible location near the *structure*. A minimum of two (2) “warning/no trespassing” *signs* are required. The *Communication Facilities Administrator* may require additional signage (of the type described above) as needed. No other signage shall be permitted on the *communication tower site*.
- h. Option to County on Collocation Opportunity. For all new *communication towers*, the *applicant* shall give the County the option of collocating, for governmental use, an *antenna* on the new *communication tower* at fair *market value*, if technically feasible and if requested by the County in writing within 30 days of the submission of a permit application.

(2) Communication Facility Types. Communication facilities shall be broken into three

(3) distinctive classes, as follows:

- a. *Category One (1) Communication Facilities* include the following:
 1. Towers and/or *antennas* constructed or permitted prior to the effective date of this Chapter; towers for residential, *amateur radio* or governmental *use* which are less than 80 feet in height; and towers less than 50 feet in height; and
 2. *Collocation antennas* on existing communications towers.
- b. *Category Two (2) Communication Facilities* include the following:
 1. The location of *antennas* on *alternative structures*;
 2. Replacement towers; and
 3. Towers used for residential, *amateur radio* and/or governmental purposes 80 feet or greater in height; and all other towers 50 feet or greater in height.

- c. *Category Three (3) Communications Facilities* include any and all towers 200 feet or greater in height.
- (3) Communication Facility Specific Standards. The following standards shall apply to the three categories of communication facilities:
- a. *Category One (1) Communication Facilities*:
1. Site Plan. Minor *Site Plan* required in accordance with Article XI.
 2. A *category one (1) communication facility* is permitted by right in all zoning districts.
 3. Height. In no case will a *collocation* be permitted where the additional *antenna* height would cause category classification change of the proposed host *communication tower*.
- b. *Category Two (2) Communication Facilities*:
1. Site Plan. Major *Site Plan* required in accordance with Article XI. A *category two (2) communication facility* is permitted by right in all zoning districts
 2. Height. In no event shall a replacement *communication tower* exceed the height of the existing *communication tower*. No tower shall exceed 200 feet in height. In addition, no communication facility (tower and/or *antenna*) affixed on an *alternative structure*, shall exceed 50 feet in height above the maximum height of the *alternative structure*. Final height of the *communication tower* and/or *antenna*, including *structure* height above highest grade level, must not exceed 200 feet.
 3. Replacement. Replacement *communication towers* must be placed as close to the existing *communication tower* as feasible, but in no case further than 100 feet from the existing *communication tower base*. The existing *communication tower* shall be removed within 90 days of completion of the replacement *communication tower*.
 4. Communication Tower Site. All *category two (2) communication facilities* must be located on a designated *communication tower site* or an approved *alternative structure*. At a minimum a *communication tower site* must: (1) encompass all components of the proposed project; (2) consist of a *lot of record* or deeded *easement*; and (3) accommodate all-weather movement of construction, maintenance and emergency response equipment to and from the site.
 5. Separation from Existing Communication Facilities. *Category two (2) communication facilities* must be a minimum of one-half (½) mile from any existing *communication facility category two (2) or three (3)* unless constructed on the same *communication tower site* (a *lot of record* or deeded *easement*) or *alternative structure*. A proposed *category two (2) communication facility (antenna)* will only be permitted on the same *communication tower site* or *alternative structures* as an existing communication facility when it has been proven that the proposed site is the only feasible location for providing coverage to the anticipated service area and all existing communication facilities are incapable of accommodating the proposed *antenna*.

6. Separation from Existing Occupied Buildings. *Communication towers* must be constructed a minimum distance equivalent to 110 percent of the height of the proposed *communication tower* from existing occupied *structures*. *Communication towers* unable to conform to *occupied building* separation requirements may submit affidavits of understanding from the owners of property and/or *structures* within the 110 percent height radius in place of conforming to the separation standards. Affidavits of understanding shall state that the property owners do not object to the construction of the *communication tower* as proposed in the application, and agree to hold the County harmless from any and all liability for the location and construction of the *communication tower* as proposed in the application. Such affidavits should also site the specific plan or drawing reviewed by the property owner.
 7. Stealth Designs. Communications towers and *antennas* on *alternative structures* in *residential zoning districts* must be constructed as stealth designs.
 8. Color. *Communication towers* not constructed as stealth designs must be a color that is consistent with *existing development* or natural conditions.
 9. Security. Adequate measures must be taken to ensure *antennas* on *alternative structures* are not potential sources of physical danger to the public.
 10. Design to Accommodate Additional User. All new *category two (2) communication towers* shall be designed to accommodate a minimum of three (3) communication *antenna* arrays.
- c. Category Three (3) Communication Facilities:
1. Site Plan. Major *Site Plan* required in accordance with Article XI.
 2. A *category three (3) communication facility* is permitted in all zoning districts upon issuance of a *special use* permit.
 3. Communication Tower Site. All communication facilities must be located on a designated *communication tower site*. At a minimum a *communication tower site* must: (1) encompass all components of the proposed project, (2) consist of a *lot of record* or deeded *easement* and (3) accommodate all-weather movement of construction, maintenance and emergency response equipment to and from the site.
 4. Separation from Existing Communication Facilities. *Category three (3) communication facilities* must be a minimum of one (1) mile from any existing *communication facility category two (2) or three (3)* unless constructed on the same *communication tower site* (a *lot of record* or deeded *easement*). A proposed *category three (3) communication facility* will only be permitted on the same *communication tower site* as an existing communication facility when it has been proven that the proposed site is the only feasible location for providing coverage to the anticipated service area, and all existing communication facilities are incapable of accommodating the proposed *antenna*.

5. Separation from Existing Occupied Buildings. *Communication towers* must be constructed a minimum distance equivalent to 110 percent of the height of the proposed *communication tower* from existing occupied *structures*. *Communication towers* unable to conform to *occupied building* separation requirements may submit affidavits of understanding from the owners of property and/or *structures* within the 110 percent height radius in place of conforming to the separation standards. Affidavits of understanding shall state that the property owners do not object to the construction of the *communication tower* as proposed in the application, and agree to hold the County harmless from any and all liability for the location and construction of the *communication tower* as proposed in the application. Such affidavits should also site the specific plan or drawing reviewed by the property owner.
6. Stealth Designs. *Communication towers* in *residential zoning districts* must be constructed as stealth designs.
7. Color. *Communication towers* not constructed as stealth designs must be a color that is consistent with *existing development* or natural conditions.
8. Design to Accommodate Additional User. All new *category three (3) communication facilities* shall be designed to accommodate a minimum of four (4) *communication antenna* arrays.

SR 9.4. Hazardous Waste Disposal Facilities

- (1) Site Plan. Major *Site Plan* required in accordance with §200A-296 (Major Site Plan Review).
- (2) Road Class. This *use* shall be located on a *collector, thoroughfare, boulevard* and/or *expressway*.
- (3) Lighting. *Adequate lighting* shall be placed in areas used for vehicular/pedestrian access including, but not limited to: stairs, sidewalks, crosswalks, intersections, or changes in grade. *Lighting mitigation* required.
- (4) Dust Reduction. Unpaved *roads, travelways* and/or parking areas shall be treated to prevent dust from adverse affects to adjacent properties.
- (5) Location. Hazardous waste disposal facilities are prohibited in a *Water Supply Watershed* Overlay District.
- (6) Separation. Hazardous waste disposal facilities shall not be constructed/newly located within:
 - a. One-and-one-half (1 ½) mile of an existing *residential zoning district, school, library, day care facility, extended care facility, healthcare facility* and/or *religious institution*; and
 - b. One (1) mile of an existing *dwelling unit* (located in a *residential zoning district* and not located on the same property as the *use*).
- (7) Security. The operations of hazardous waste disposal facilities shall be totally enclosed by: (1) a security fence at least eight (8) feet in height; (2) a wall at least eight (8) feet in height; or (3) a fireproof *building*. Entrances and exits should be secured and locked during non-operating hours.
- (8) Perimeter Setback. Fifteen hundred (1,500) feet.
- (9) Perimeter Buffer. Five hundred (500) feet.

- (10) Sedimentation Control. Permanent control measures are required to retain all non-compacted soils on site.

SR 9.5. Land Clearing Debris and Inert Debris Storage or Disposal

- (1) Site Plan. Major *Site Plan* required in accordance with §200A-296 (Major Site Plan Review).
- (2) Road Class. This *use* shall be located on a *collector, thoroughfare, boulevard* and/or *expressway*.
- (3) Lighting. *Adequate lighting* shall be placed in areas used for vehicular/pedestrian access including, but not limited to: stairs, sidewalks, crosswalks, intersections, or changes in grade. *Lighting mitigation* required.
- (4) Dust Reduction. Unpaved *roads, travelways* and/or parking areas shall be treated to prevent dust from adverse affects to adjacent properties.
- (5) Certification, Licensure and Permitting. The owner of a land clearing debris and inert debris *landfill* shall file with the Henderson County Registrar of Deeds Office, a certified survey depicting the property on which the *landfill* is located, including the site and extent of the actual debris deposit.
- (6) Location. *Land clearing debris and inert debris landfills* may be permitted in the *Water Supply Watershed Protection Overlay District* if the *applicant* can demonstrate that there will be no adverse effects from the *landfill* on public water supplies. *Land clearing debris and inert debris landfills* shall not be permitted in the 100-year *floodplain*.
- (7) Perimeter Setback. One hundred (100) feet.
- (8) Operations. Where feasible, debris reduction methods such as chipping and mulching shall be utilized to reduce the amount of debris permanently withheld on site.
- (9) *Sedimentation* Control. Permanent control measures are required to retain all non-compacted soils on-site.
- (10) Future Development. No *structure* shall be constructed within 100 feet of a debris deposit following the closure of a land clearing debris and inert debris *landfill*.
- (11) Hours of Operation. 6:00 a.m. to 10:00 p.m. (except where requested by the Henderson County Emergency Management Coordinator in response to a period of inclement weather).

SR 9.6. Rail Transportation Facilities and Support Activities

- (1) Site Plan. Major *Site Plan* required in accordance with §200A-296 (Major Site Plan Review).
- (2) Road Class. This *use* shall be located on a *collector, thoroughfare, boulevard* and/or *expressway*.
- (3) Lighting. *Adequate lighting* shall be placed in areas used for vehicular/pedestrian access including, but not limited to: stairs, sidewalks, crosswalks, intersections, or changes in grade. *Lighting mitigation* required.
- (4) Dust Reduction. Unpaved *roads, travelways* and/or parking areas shall be treated to prevent dust from adverse affects to adjacent properties.

SR 9.7. Self Storage Warehousing, Mini-Warehouses (for Commercial District)

- (1) Site Plan. Major *Site Plan* required in accordance with §200A-296 (Major Site Plan Review).
- (2) Road Class. This *use* shall be located on a *collector, thoroughfare, boulevard* and/or *expressway*.
- (3) Lighting. *Adequate lighting* shall be placed in areas used for vehicular/pedestrian access including, but not limited to: stairs, sidewalks, crosswalks, intersections, or changes in grade. *Lighting mitigation* required.
- (4) Separation. Self storage warehousing, mini-warehouses *structures* shall not be constructed within 100 feet of any adjacent existing *dwelling unit* (located in a *residential zoning district* and not located on the same property as the *use*).
- (5) Structure. Garage/storage bays shall be oriented away from the public *right-of-way* where possible.
- (6) Operations. The mini-warehouse units shall be used for “dead” storage only (no commercial enterprise can be conducted from an individual unit or units and no *wholesale trade* or retail sales shall be permitted).
- (7) Lighting. Exterior lighting shall not exceed ten (10) feet in height.
- (8) Street Trees. Street *trees* shall be provided in accordance with §200A-141 (Street Tree Requirements).
- (9) Outdoor Storage. Open storage of *recreational vehicles* and dry storage of pleasure boats shall constitute an *outdoor storage* (see SR 2.8 and SR 2.0 (Outdoor Storage)).

SR 9.8. Septic Tank and Related Services

- (1) Site Plan. Major *Site Plan* required in accordance with §200A-296 (Major Site Plan Review).
- (2) Lighting. *Adequate lighting* shall be placed in areas used for vehicular/pedestrian access including, but not limited to: stairs, sidewalks, crosswalks, intersections, or changes in grade. *Lighting mitigation* required.

SR 9.9. Solid Waste Combustors and Incinerators

- (1) Site Plan. Major *Site Plan* required in accordance with §200A-296 (Major Site Plan Review).
- (2) Road Class. This *use* shall be located on a *collector, thoroughfare, boulevard* and/or *expressway*.
- (3) Lighting. *Adequate lighting* shall be placed in areas used for vehicular/pedestrian access including, but not limited to: stairs, sidewalks, crosswalks, intersections, or changes in grade. *Lighting mitigation* required.
- (4) Dust Reduction. Unpaved *roads, travelways* and/or parking areas shall be treated to prevent dust from adverse affects to adjacent properties.
- (5) Separation. A solid waste incinerator shall not be constructed or newly located within:
 - a. One (1) mile of an existing *school, library, day care facility, healthcare facility* and/or *religious institution*; and
 - b. Fifteen hundred (1,500) feet of an existing *dwelling unit* (located in a *residential zoning district* and not located on the same property as the *use*).

- (6) Security. The operations of a solid waste combustor and incinerator shall be totally enclosed by: (1) a security fence at least eight (8) feet in height; (2) a wall at least eight (8) feet in height; or (3) a fireproof *building*. Entrances and exits should be secured and locked during non-operating hours.
- (7) Perimeter Setback. Two hundred fifty (250) feet (for a public or private *landfill*) and 200 feet is required for a solid waste incinerator. (Storage of debris, equipment, and other materials shall not be permitted in the *perimeter setback*).
- (8) Perimeter Buffer. Seventy-five (75) feet.

SR 9.10. Transit and Ground Passenger Transportation

- (1) Site Plan. Major *Site Plan* required in accordance with §200A-296 (Major Site Plan Review).
- (2) Road Class. This *use* shall be located on a *collector, thoroughfare, boulevard* and/or *expressway*.
- (3) Lighting. *Adequate lighting* shall be placed in areas used for vehicular/pedestrian access including, but not limited to: stairs, sidewalks, crosswalks, intersections, or changes in grade. *Lighting mitigation* required.

SR 9.11. Truck Terminals

- (1) Site Plan. Major *Site Plan* required in accordance with §200A-296 (Major Site Plan Review).
- (2) Road Class. This *use* shall be located on a *collector, thoroughfare, boulevard* and/or *expressway*.
- (3) Lighting. *Adequate lighting* shall be placed in areas used for vehicular/pedestrian access including, but not limited to: stairs, sidewalks, crosswalks, intersections, or changes in grade. *Lighting mitigation* required.
- (4) Dust Reduction. Unpaved *roads, travelways* and/or parking areas shall be treated to prevent dust from adverse affects to adjacent properties.

SR 9.12. Utility Substations

- (1) Site Plan. Major *Site Plan* required in accordance with §200A-296 (Major Site Plan Review).
- (2) Road Class. This *use* shall be located on a *collector, thoroughfare, boulevard* and/or *expressway* when located on a property in a *residential zoning district* (this does not apply within an MU district).
- (3) Lighting. *Lighting mitigation* required.
- (4) Separation. *Utility substations* shall not be placed within 75 feet of an existing *dwelling unit* (located in a *residential zoning district* and not located on the same property as the *use*).
- (5) Security. Transformer stations shall be enclosed by a woven wire fence at least eight (8) feet in height. Other utility stations shall be completely enclosed either by a *building* or a wire fence at least eight (8) feet in height.
- (6) Screening. Screen Class One (1), Two (2), Three (3) or Four (4) shall be provided where the *structure footprint* exceeds 200 square feet if adjacent to an existing residential use, consistent with the requirements of §200A-147 (Screen Classification).

SR 9.13. Warehousing and Storage (Excluding Warehousing of Hazardous Substances)

- (1) Site Plan. Major *Site Plan* required in accordance with §200A-296 (Major Site Plan Review).
- (2) Road Class. This *use* shall be located on a *collector, thoroughfare, boulevard* and/or *expressway*.
- (3) Lighting. *Adequate lighting* shall be placed in areas used for vehicular/pedestrian access including, but not limited to: stairs, sidewalks, crosswalks, intersections, or changes in grade. *Lighting mitigation* required.
- (4) Dust Reduction. Unpaved *roads, travelways* and/or parking areas shall be treated to prevent dust from adverse affects to adjacent properties.

SR 9.14. Waste Collection and Transfer Facility (Hazardous)

- (1) Site Plan. Major *Site Plan* required in accordance with §200A-296 (Major Site Plan Review).
- (2) Road Class. This *use* shall be located on a *collector, thoroughfare, boulevard* and/or *expressway*.
- (3) Lighting. *Adequate lighting* shall be placed in areas used for vehicular/pedestrian access including, but not limited to: stairs, sidewalks, crosswalks, intersections, or changes in grade. *Lighting mitigation* required.
- (4) Dust Reduction. Unpaved *roads, travelways* and/or parking areas shall be treated to prevent dust from adverse affects to adjacent properties.
- (5) Location. Hazardous *waste collection and transfer facilities* are prohibited in a *Water Supply Watershed Overlay Districts*.
- (6) Separation. *Hazardous waste collection and transfer facilities* shall not be constructed/newly located within:
 - a. One (1) mile of an existing *residential zoning district, school, library, day care facility, healthcare facility* and/or *religious institution*; and
 - b. Fifteen hundred (1,500) feet of an existing *dwelling unit* (located in a *residential zoning district* and not located on the same property as the *use*).
- (7) Security. The operations of a *hazardous waste collection and transfer facility* shall be totally enclosed by: (1) a security fence at least eight (8) feet in height; (2) a wall at least eight (8) feet in height; or (3) a fireproof *building*. Entrances and exits should be secured and locked during non-operating hours.
- (8) Perimeter Setback. Five hundred (500) feet.
- (9) Perimeter Buffer. Two hundred (200) feet.
- (10) Containment. The transfer facility must include a containment system designed to prevent the spread of contaminants onto other properties, waterways or drainageways.

SR 9.15. Waste Collection and Transfer Facility (Non-hazardous)

- (1) Site Plan. Major *Site Plan* required in accordance with §200A-296 (Major Site Plan Review).
- (2) Road Class. This *use* shall be located on a *collector, thoroughfare, boulevard* and/or *expressway*.

- (3) Lighting. *Adequate lighting* shall be placed in areas used for vehicular/pedestrian access including, but not limited to: stairs, sidewalks, crosswalks, intersections, or changes in grade. *Lighting mitigation* required.
- (4) Dust Reduction. Unpaved *roads, travelways* and/or parking areas shall be treated to prevent dust from adverse affects to adjacent properties.
- (5) Separation. A *non-hazardous waste collection and transfer facility* shall not be constructed or newly located within 1,000 feet of an existing *dwelling unit* (located in a residential zoning district and not located on the same property as the use), *school, library, day care facility, healthcare facility* and/or *religious institution*.
- (6) Security. The operations of a *non-hazardous waste collection and transfer facility* shall be totally enclosed by: (1) a security fence at least eight (8) feet in height; (2) a wall at least eight (8) feet in height; or (3) a fireproof *building*. Entrances and exits should be secured and locked during non-operating hours.

SR 9.16. Wastewater Treatment Plant

- (1) Site Plan. Major *Site Plan* required in accordance with §200A-296 (Major Site Plan Review).
- (2) Security. The operations of a *wastewater treatment plant* shall be totally enclosed by: (1) a security fence at least eight (8) feet in height; (2) a wall at least eight (8) feet in height; or (3) a fireproof *building*. Entrances and exits should be secured and locked.
- (3) Screening. Screen Class Three (3) shall be provided consistent with the requirements of §200A-147 (Screen Classification).

SR 9.17. Water Treatment Plant

- (1) Site Plan. Major *Site Plan* required in accordance with §200A-296 (Major Site Plan Review).
- (2) Lighting. *Adequate lighting* shall be placed in areas used for vehicular/pedestrian access including, but not limited to: stairs, sidewalks, crosswalks, intersections, or changes in grade. *Lighting mitigation* required.
- (3) Separation. A water treatment plant shall not be constructed or newly located within 500 feet of an existing *dwelling unit* (located in a *residential zoning district* and not located on the same property as the *use*).

10. MANUFACTURING AND INDUSTRIAL USES

SR 10.1. Asphalt Plant

- (1) Site Plan. Major *Site Plan* required in accordance with §200A-296 (Major Site Plan Review).
- (2) Road Class. This *use* shall be located on a *collector, thoroughfare, boulevard* and/or *expressway*.
- (3) Lighting. *Adequate lighting* shall be placed in areas used for vehicular/pedestrian access including, but not limited to: stairs, sidewalks, crosswalks, intersections, or changes in grade. *Lighting mitigation* required.
- (4) Dust Reduction. Unpaved *roads, travelways* and/or parking areas shall be treated to prevent dust from adverse affects to adjacent properties.

- (5) Separation. An *asphalt plant* shall not be constructed or newly located within:
 - a. One-half (½) mile of an existing *school, library, day care facility, healthcare facility and/or religious institution*; and
 - b. Five hundred (500) feet of an existing *dwelling unit* (located in a *residential zoning district* and not located on the same property as the *use*).
- (6) Perimeter Setback. One hundred (100) feet.
- (7) Security. The operations of an *asphalt plant* shall be totally enclosed by: (1) a security fence or wall at least eight (8) feet in height; or (2) a fireproof *building*. Entrances and exits should be secured and locked during non-operating hours.

SR 10.2. Battery Manufacturing Facility

- (1) Site Plan. Major *Site Plan* required in accordance with §200A-296 (Major Site Plan Review).
- (2) Road Class. This *use* shall be located on a *collector, thoroughfare, boulevard* and/or *expressway*.
- (3) Lighting. *Adequate lighting* shall be placed in areas used for vehicular/pedestrian access including, but not limited to: stairs, sidewalks, crosswalks, intersections, or changes in grade. *Lighting mitigation* required.
- (4) Dust Reduction. Unpaved *roads, travelways* and/or parking areas shall be treated to prevent dust from adverse affects to adjacent properties.
- (5) Separation. A battery manufacturing facility shall not be constructed or newly located within:
 - a. One-half (½) mile of an existing *school, library, day care facility, healthcare facility and/or religious institution*; and
 - b. Five hundred (500) feet of an existing *dwelling unit* (located in a *residential zoning district* and not located on the same property as the *use*).
- (6) Security. The operations of a battery manufacturing facility shall be totally enclosed by: (1) a security fence at least eight (8) feet in height; (2) a wall at least eight (8) feet in height; or (3) a fireproof *building*. Entrances and exits should be secured and locked during non-operating hours.
- (7) Perimeter Setback. One hundred (100) feet.

SR 10.3. Chip Mill

- (1) Site Plan. Major *Site Plan* required in accordance with §200A-296 (Major Site Plan Review).
- (2) Road Class. This *use* shall be located on a *collector, thoroughfare, boulevard* and/or *expressway*.
- (3) Lighting. *Adequate lighting* shall be placed in areas used for vehicular/pedestrian access including, but not limited to: stairs, sidewalks, crosswalks, intersections, or changes in grade. *Lighting mitigation* required.
- (4) Dust Reduction. Unpaved *roads, travelways* and/or parking areas shall be treated to prevent dust from adverse affects to adjacent properties.
- (5) Separation. A *chip mill* shall not be constructed or newly located within:
 - a. One-quarter (¼) mile of an existing *school, library, day care facility, healthcare facility, park* and/or *religious institution*; and

- b. Five hundred (500) feet of an existing *dwelling unit* (located in a *residential zoning district* and not located on the same property as the *use*).
- (6) Security. The operations of a *chip mill* (including equipment) shall be totally enclosed by: (1) a security fence at least eight (8) feet in height; (2) a wall at least eight (8) feet in height; or (3) a fireproof *building*. Entrances and exits should be secured and locked during non-operating hours.
- (7) Perimeter Setback. Fifty (50) feet.
- (8) Disposal of Debris. Disposal of excess inert debris is prohibited on-site unless operation is in compliance with development standards for *land clearing debris and inert debris storage or disposal* operations (see SR 9.5 (Land Clearing Debris and Inert Debris Storage or Disposal) for standards).

SR 10.4. Concrete Batch Plant

- (1) Site Plan. Major *Site Plan* required in accordance with §200A-296 (Major Site Plan Review).
- (2) Road Class. This *use* shall be located on a *collector, thoroughfare, boulevard* and/or *expressway*.
- (3) Lighting. *Adequate lighting* shall be placed in areas used for vehicular/pedestrian access including, but not limited to: stairs, sidewalks, crosswalks, intersections, or changes in grade. *Lighting mitigation* required.
- (4) Dust Reduction. Unpaved *roads, travelways* and/or parking areas shall be treated to prevent dust from adverse affects to adjacent properties.
- (5) Separation. A concrete batch plant shall not be constructed or newly located within:
 - a. One thousand (1,000) feet of an existing *school, library, day care facility, healthcare facility, park* and/or *religious institution*; and
 - b. Three hundred (300) feet of an existing *dwelling unit* (located in a *residential zoning district* and not located on the same property as the *use*).
- (6) Security. The operations of a concrete batch plant shall be totally enclosed by: (1) a security fence at least eight (8) feet in height; (2) a wall at least eight (8) feet in height; or (3) a fireproof *building*. Entrances and exits should be secured and locked during non-operating hours.
- (7) Dust Reduction. Unpaved *roads, travelways* and/or parking areas shall be treated to prevent dust from adverse affects to adjacent properties.

SR 10.5. Junkyard

- (1) Site Plan. Major *Site Plan* required in accordance with §200A-296 (Major Site Plan Review).
- (2) Road Class. This *use* shall be located on a *collector, thoroughfare, boulevard* and/or *expressway*.
- (3) Lighting. *Adequate lighting* shall be placed in areas used for vehicular/pedestrian access including, but not limited to: stairs, sidewalks, crosswalks, intersections, or changes in grade. *Lighting mitigation* required.
- (4) Separation. A *junkyard* shall not be constructed or newly located within:
 - a. One-half (½) mile of an existing *school, library, day care facility, extended care facility, healthcare facility* and/or *religious institution*; and
 - b. Three hundred (300) feet of an existing *dwelling unit*.

- (5) Security. The operations of a *junkyard* shall be totally enclosed by: (1) a security fence or wall at least eight (8) feet in height. Entrances and exits should be secured and locked during non-operating hours.
- (6) Perimeter Setback. Fifty (50) feet.
- (7) Dust Reduction. Unpaved *roads, travelways* and/or parking areas shall be treated to prevent dust from adverse affects to adjacent properties.
- (8) Screening. Screen Class Three (3) or Four (4) shall be provided consistent with the requirements of §200A-147 (Screen Classification).
- (9) Hours of Operation. 6:00 a.m. to 10:00 p.m.

SR 10.6. Landfill (Public/Private)

- (1) Site Plan. Major *Site Plan* required in accordance with §200A-296 (Major Site Plan Review).
- (2) Road Class. This *use* shall be located on a *collector, thoroughfare, boulevard* and/or *expressway*.
- (3) Lighting. *Adequate lighting* shall be placed in areas used for vehicular/pedestrian access including, but not limited to: stairs, sidewalks, crosswalks, intersections, or changes in grade. *Lighting mitigation* required.
- (4) Dust Reduction. Unpaved *roads, travelways* and/or parking areas shall be treated to prevent dust from adverse affects to adjacent properties.
- (5) Location. *Landfills* are prohibited in the *Water Supply Watershed* Overlay Districts.
- (6) Separation. A *landfill* shall not be constructed or newly located within:
 - a. One (1) mile of an existing *school, library, day care facility, healthcare facility* and/or *religious institution*; and
 - b. Fifteen hundred (1,500) feet of an existing *dwelling unit* (located in a *residential zoning district* and not located on the same property as the *use*).
- (7) Security. The operations of a *landfill* shall be totally enclosed by a security fence or wall at least eight (8) feet in height. Entrances and exits should be secured and locked during non-operating hours.
- (8) Perimeter Setback. Two hundred fifty (250) feet.
- (9) Perimeter Buffer. Seventy-five (75) feet.
- (10) *Sedimentation* Control. Permanent control measures are required to retain all non-compacted soils on-site.
- (11) Hours of Operation. 6:00 a.m. to 9:00 p.m.

SR 10.7. Machining and Assembly Operations

- (1) Site Plan. Major *Site Plan* required in accordance with §200A-296 (Major Site Plan Review).
- (2) Road Class. This *use* shall be located on a *collector, thoroughfare, boulevard* and/or *expressway*.
- (3) Lighting. *Adequate lighting* shall be placed in areas used for vehicular/pedestrian access including, but not limited to: stairs, sidewalks, crosswalks, intersections, or changes in grade. *Lighting mitigation* required.
- (4) Dust Reduction. Unpaved *roads, travelways* and/or parking areas shall be treated to prevent dust from adverse affects to adjacent properties.

SR 10.8. Manufacturing and Production Operations

- (1) Site Plan. Major *Site Plan* required in accordance with §200A-296 (Major Site Plan Review).
- (2) Road Class. This *use* shall be located on a *collector, thoroughfare, boulevard* and/or *expressway*.
- (3) Lighting. *Adequate lighting* shall be placed in areas used for vehicular/pedestrian access including, but not limited to: stairs, sidewalks, crosswalks, intersections, or changes in grade. *Lighting mitigation* required.
- (4) Dust Reduction. Unpaved *roads, travelways* and/or parking areas shall be treated to prevent dust from adverse affects to adjacent properties.

SR 10.9. Materials Recovery Facilities (Recycling)

- (1) Site Plan. Major *Site Plan* required in accordance with §200A-296 (Major Site Plan Review).
- (2) Road Class. This *use* shall be located on a *collector, thoroughfare, boulevard* and/or *expressway*.
- (3) Lighting. *Adequate lighting* shall be placed in areas used for vehicular/pedestrian access including, but not limited to: stairs, sidewalks, crosswalks, intersections, or changes in grade. *Lighting mitigation* required.
- (4) Dust Reduction. Unpaved *roads, travelways* and/or parking areas shall be treated to prevent dust from adverse affects to adjacent properties.
- (5) Separation. A materials recovery facility shall not be constructed or newly located within one-half (½) mile of an existing *school, library, day care facility, healthcare facility* and/or *religious institution*.
- (6) Security. The operations of a materials recovery facility shall be totally enclosed by:
 - (1) a security fence at least eight (8) feet in height;
 - (2) a wall at least eight (8) feet in height; or
 - (3) a fireproof *building*. Entrances and exits should be secured and locked during non-operating hours.
- (7) Perimeter Setback. One hundred (100) feet.
- (8) Hours of Operation. 6:00 a.m. to 9:00 p.m.

SR 10.10. Mining and Extraction Operations

- (1) Site Plan. Major *Site Plan* required in accordance with §200A-296 (Major Site Plan Review).
- (2) Road Class. This *use* shall be located on a *collector, thoroughfare, boulevard* and/or *expressway*.
- (3) Lighting. *Adequate lighting* shall be placed in areas used for vehicular/pedestrian access including, but not limited to: stairs, sidewalks, crosswalks, intersections, or changes in grade. *Lighting mitigation* required.
- (4) Dust Reduction. Unpaved *roads, travelways* and/or parking areas shall be treated to prevent dust from adverse affects to adjacent properties.
- (5) Separation. A *mining or extraction operation* shall not be constructed or newly located within:
 - a. One-half (½) mile of an existing *school, library, day care facility, healthcare facility* and/or *religious institution*; and

- b. One thousand (1,000) feet of an existing *dwelling unit* (located in a *residential zoning district* and not located on the same property as the *use*).
- (6) Security. The operations of a *mining and extraction operation* shall be totally enclosed by a security fence or wall at least eight (8) feet in height. Entrances and exits should be secured and locked during non-operating hours.
- (7) Perimeter Setback. One hundred (100) feet.
- (8) Operations. A plan outlining rehabilitation procedures and financing options for restoration of the mining or extraction site is required. Within two (2) years after the cessation of a *mining or extraction operation*, rehabilitation processes must be complete.
- (9) Sedimentation Control. Permanent control measures are required to retain all non-compacted soils on site.

SR 10.11. Packaging and Labeling Services

- (1) Site Plan. Major *Site Plan* required in accordance with §200A-296 (Major Site Plan Review).
- (2) Road Class. This *use* shall be located on a *collector, thoroughfare, boulevard* and/or *expressway*.
- (3) Lighting. *Adequate lighting* shall be placed in areas used for vehicular/pedestrian access including, but not limited to: stairs, sidewalks, crosswalks, intersections, or changes in grade. *Lighting mitigation* required.

SR 10.12. Pesticide, Fertilizer and Other Agricultural Chemical Manufacturing

- (1) Site Plan. Major *Site Plan* required in accordance with §200A-296 (Major Site Plan Review).
- (2) Road Class. This *use* shall be located on a *collector, thoroughfare, boulevard* and/or *expressway*.
- (3) Lighting. *Adequate lighting* shall be placed in areas used for vehicular/pedestrian access including, but not limited to: stairs, sidewalks, crosswalks, intersections, or changes in grade. *Lighting mitigation* required.
- (4) Dust Reduction. Unpaved *roads, travelways* and/or parking areas shall be treated to prevent dust from adverse affects to adjacent properties.
- (5) Separation. A *pesticide, fertilizer and other agricultural chemical manufacturing use* shall not be constructed or newly located within one-half (½) mile of an existing *school, library, day care facility, healthcare facility* and/or *religious institution*.
- (6) Security. The operations of a *pesticide, fertilizer and other agricultural chemical manufacturing use* shall be totally enclosed by: (1) a security fence at least eight (8) feet in height; (2) a wall at least eight (8) feet in height; or (3) a fireproof *building*. Entrances and exits should be secured and locked during non-operating hours.
- (7) Perimeter Setback. One hundred (100) feet.

SR 10.13. Product Processing and Storage Facilities

- (1) Site Plan. Major *Site Plan* required in accordance with §200A-296 (Major Site Plan Review).
- (2) Road Class. This *use* shall be located on a *collector, thoroughfare, boulevard* and/or *expressway*.

- (3) Lighting. *Adequate lighting* shall be placed in areas used for vehicular/pedestrian access including, but not limited to: stairs, sidewalks, crosswalks, intersections, or changes in grade. *Lighting mitigation* required.

SR 10.14. Recycling Center, Drop-Off Facilities

- (1) Site Plan. Major *Site Plan* required in accordance with §200A-296 (Major Site Plan Review).
- (2) Road Class. This *use* shall be located on a *collector, thoroughfare, boulevard* and/or *expressway*.
- (3) Lighting. *Adequate lighting* shall be placed in areas used for vehicular/pedestrian access including, but not limited to: stairs, sidewalks, crosswalks, intersections, or changes in grade. *Lighting mitigation* required.
- (4) Security. The operations of a *recycling center with drop off facilities* shall be totally enclosed by: (1) a security fence at least eight (8) feet in height; (2) a wall at least eight (8) feet in height; or (3) a fireproof *building*. Entrances and exits should be secured and locked during non-operating hours.
- (5) Screening. Screen Class One (1), Two (2) or Three (3) shall be provided consistent with the requirements of §200A-147 (Screen Classification).
- (6) Hours of Operation. 6:00 a.m. to 9:00 p.m.

SR 10.15. Research and Development Operations (Hazardous or biological materials)

- (1) Site Plan. Major *Site Plan* required in accordance with §200A-296 (Major Site Plan Review).
- (2) Road Class. This *use* shall be located on a *collector, thoroughfare, boulevard* and/or *expressway*.
- (3) Lighting. *Adequate lighting* shall be placed in areas used for vehicular/pedestrian access including, but not limited to: stairs, sidewalks, crosswalks, intersections, or changes in grade. *Lighting mitigation* required.
- (4) Dust Reduction. Unpaved *roads, travelways* and/or parking areas shall be treated to prevent dust from adverse affects to adjacent properties.
- (5) Separation. A *research and development operation (hazardous or biological materials)* shall not be constructed or newly located within one-half (½) mile of an existing *school, library, day care facility, healthcare facility* and/or *religious institution*
- (6) Security. The operations of a *research and development operation (hazardous or biological materials)* shall be totally enclosed by: (1) a security fence at least eight (8) feet in height; (2) a wall at least eight (8) feet in height; or (3) a fireproof *building*. Entrances and exits should be secured and locked during non-operating hours.
- (7) Perimeter Setback. One hundred (100) feet.

SR 10.16. Research and Development Operations (Non-hazardous)

- (1) Site Plan. Major *Site Plan* required in accordance with §200A-296 (Major Site Plan Review).
- (2) Road Class. This *use* shall be located on a *collector, thoroughfare, boulevard* and/or *expressway*.

- (3) Lighting. *Adequate lighting* shall be placed in areas used for vehicular/pedestrian access including, but not limited to: stairs, sidewalks, crosswalks, intersections, or changes in grade. *Lighting mitigation* required.
- (4) Security. The operations of a *research and development operation (nonhazardous)* shall be totally enclosed by: (1) a security fence at least eight (8) feet in height; (2) a wall at least eight (8) feet in height; or (3) a fireproof *building*. Entrances and exits should be secured and locked during non-operating hours.

SR 10.17. Sawmill

- (1) Site Plan. Major *Site Plan* required in accordance with §200A-296 (Major Site Plan Review).
- (2) Road Class. This *use* shall be located on a *collector, thoroughfare, boulevard* and/or *expressway*.
- (3) Lighting. *Adequate lighting* shall be placed in areas used for vehicular/pedestrian access including, but not limited to: stairs, sidewalks, crosswalks, intersections, or changes in grade. *Lighting mitigation* required.
- (4) Dust Reduction. Unpaved *roads, travelways* and/or parking areas shall be treated to prevent dust from adverse affects to adjacent properties.
- (5) Separation. A *sawmill* shall not be constructed or newly located within one-quarter (¼) mile of an existing *dwelling unit* (located in a *residential zoning district* and not located on the same property as the use), existing *school, library, day care facility, healthcare facility, park* and/or *religious institution*.
- (6) Security. The operations of a *sawmill* (including equipment) shall be totally enclosed by: (1) a security fence at least eight (8) feet in height; (2) a wall at least eight (8) feet in height; or (3) a fireproof *building*. Entrances and exits should be secured and locked during non-operating hours.
- (7) Perimeter Setback. Fifty (50) feet.
- (8) Debris Disposal. Disposal of excess inert debris is prohibited on site unless operation is in compliance with development standards for *land clearing debris and inert debris storage or disposal operations* (see SR 9.5. (Land Clearing Debris and Inert Debris Storage or Disposal) for standards).
- (9) Hours of Operation. 6:00 a.m. to 9:00 p.m.

SR 10.18. Slaughterhouse

- (1) Site Plan. Major *Site Plan* required in accordance with §200A-296 (Major Site Plan Review).
- (2) Road Class. This *use* shall be located on a *collector, thoroughfare, boulevard* and/or *expressway*.
- (3) Lighting. *Adequate lighting* shall be placed in areas used for vehicular/pedestrian access including, but not limited to: stairs, sidewalks, crosswalks, intersections, or changes in grade. *Lighting mitigation* required.
- (4) Dust Reduction. Unpaved *roads, travelways* and/or parking areas shall be treated to prevent dust from adverse affects to adjacent properties.
- (5) Separation. A *slaughterhouse* shall not be constructed or newly located within one-half (½) mile of an existing *school, library, day care facility, healthcare facility* and/or *religious institution*.

- (6) Perimeter Setback. One hundred (100) feet.
- (7) Hours of Operation. 6:00 a.m. to 9:00 p.m.

SR 10.19. Truck Wash

- (1) Site Plan. Major *Site Plan* required in accordance with §200A-296 (Major Site Plan Review).
- (2) Road Class. This *use* shall be located on a *collector, thoroughfare, boulevard* and/or *expressway*.
- (3) Lighting. *Adequate lighting* shall be placed in areas used for vehicular/pedestrian access including, but not limited to: stairs, sidewalks, crosswalks, intersections, or changes in grade. *Lighting mitigation* required.
- (4) Structure. All associated lanes and *driveways* shall be covered with an all-weather surface.
- (5) Parking/Drive. Parking areas/stacking facilities shall be designed to ensure parked/waiting *vehicles* do not block sidewalks, *driveways* or *roads*.
- (6) On-Site Drainage System. Provisions shall be made for an on-site drainage system to capture water used to wash *vehicles*. The drainage plan shall be evaluated by the *Zoning Administrator* to determine that the water from the facility will not have a detrimental effect on adjacent property, *roads* and/or surface waters.
- (7) Operations. Storage or repair of *vehicles* shall not be permitted within the truck washing facility.
- (8) Screening. Screen Class Two (2) shall be provided consistent with the requirements of §200A-147 (Screen Classification).

11. TEMPORARY USES**SR 11.1. Christmas Tree Lot Sales**

- (1) Duration and Frequency. Temporary Christmas tree lot sales may be operated for no longer than forty-five (45) days.

SR 11.2. Circuses, Carnivals, Fairs, Religious Services (or similar types of events)

- (1) Duration and Frequency. Temporary circuses, fairs, religious services and similar types of events may be operated for no longer than eight (8) days. Carnivals may be operated for no longer than 10 days. Not more than two (2) temporary events shall be held in a 12 month period.
- (2) Hours of Operation. Where a circus, carnival, fair, religious service or similar types of events and being held in a *residential zoning district* or within 500 feet of a *residential zoning district*, the hours of operation shall be limited to between 7:00 a.m. and 11:00 p.m.
- (3) Application. The application shall depict the locations of pedestrian circulation areas and equipment storage areas.
- (4) Separation Requirements. The *use* shall not be placed within 50 feet of an existing *dwelling unit* (located in a *residential zoning district* and not located on the same property as the *use*).

- (5) Solid Waste Collection System Requirements. Arrangements shall be made for suitable garbage disposal and site clean-up.

SR 11.3. Model Home/Sales Office, Temporary

- (1) Duration and Frequency. *Temporary model homes/sales offices* shall be permitted within a new *residential development*, provided that the model home/sales office: (1) is located on a *lot* that was approved as part of an approved preliminary or master plan; and (2) will be converted to a *dwelling unit* or taken down after its *use* as a sales office/model home. *Temporary model homes/sales offices* may initially be approved for a period of up to three (3) years, which may be extended for additional one (1) year terms so long as development is continuing. If the *Temporary Model Home/Sales Office* was noted on an approved Preliminary or Master Plan, a *temporary use permit* is not required.

SR 11.4. Yard Sale

- (1) Duration and Frequency. The duration of a *yard sale* may be for no more than three (3) days at a time and for no more than 12 days in a 12 month period. *yard sales* are expressly prohibited as a permanent *use* and shall be regulated as Retail Trade and Food Service should the *use* continue over a longer period of time.

12. TEMPORARY STRUCTURES

SR 12.1. Portable Storage Containers

- (1) Maximum Number Permitted Per Lot. One (1) for *residential zoning district* property.
- (2) Duration and Frequency. *Portable storage containers* shall be placed on *residential zoning district* property for no more than 30 days, no more than four (4) times in a 12 month period.
- (3) Permanent Structures. *Portable storage containers* may be permitted as *accessory structures*. In no case shall more than one (1) container be permitted on a single property or shall any permanent accessory *portable storage container* be permitted on *residential zoning district* property.

SR 12.2. Produce Stand, Temporary

- (1) Setbacks. Temporary stands may be established in the *front yard setback*.
- (2) Duration and Frequency. Temporary stands may be operated for no longer than 180 days in a 12 month period.

SR 12.3. Temporary Construction Project Buildings

- (1) Duration and Frequency. Temporary construction project *buildings* shall be permitted only for those time periods for which a building permit has been issued.

SR 12.4. Tent Sale

- (1) Duration and Frequency. Temporary tent sales may be operated for no greater than two (2) weeks. Not more than two (2) temporary tent sales shall be held in a 12 month period.

(2) Locational Requirements. Temporary tent sales shall not encroach on the public *right-of-way*, parking spaces or required loading spaces.

- §200A-61. **Reserved**
- §200A-62. **Reserved**
- §200A-63. **Reserved**
- §200A-64. **Reserved**
- §200A-65. **Reserved**
- §200A-66. **Reserved**
- §200A-67. **Reserved**
- §200A-68. **Reserved**
- §200A-69. **Reserved**
- §200A-70. **Reserved**

DRAFT

DRAFT

ARTICLE III SUBDIVISION REGULATIONS

Subpart A. Subdivision General Regulations

§200A-71. Purpose

The purpose of this Article is to promote, through proper planning, health, safety and general welfare by providing for the orderly *subdivision* of land in Henderson County. More specifically, this Article is deemed necessary to:

- A. Establish procedures and standards for the *subdivision* of land;
- B. Provide for orderly growth and development;
- C. Protect and enhance property ownership and land values;
- D. Provide for dedication or reservation of *road right-of-way*;
- E. Assure the proper design and installation of *roads* and utilities;
- F. Assure proper legal description, identification and recordation of property boundaries to maintain an accurate, up-to-date land records management system;
- G. Promote environmental quality;
- H. Preserve areas of the County with productive soils for continued agricultural and *forestry use* by preserving blocks of land large enough to allow for efficient operation;
- I. Encourage the maintenance and enhancement of habitat for various forms of wildlife and to create new woodlands through natural succession and reforestation where appropriate;
- J. Minimize site disturbance and *erosion* through retention of existing vegetation and avoiding development on *steep slopes*; and
- K. Preserve open land, including those lands that contain *unique* (and sensitive) *natural areas*.

§200A-72. Comprehensive Plan

This Article is based, in part, on the *Comprehensive Plan* and its goals and objectives. It should be noted that due to: severe topographic conditions; inadequate *road* access; distance from services; *unique natural areas*; soils that do not easily support soil drainage systems and/or the proximity to existing and incompatible land *uses/zoning*, all land may not be suitable to be subdivided for the purpose of dense development. The reviewing agency should take into consideration the goals and objectives of the *Comprehensive Plan* when reviewing *subdivisions*.

§200A-73. Approval for Subdivision Plats

A *final plat* must be prepared and approved pursuant to this Chapter whenever a *subdivision* of land occurs. No land disturbing or construction activity carried out in conjunction with the development of a *subdivision* shall be commenced until a master or development plan has been approved. Prior to recordation, all *plats* must meet the requirements of NCGS §47-30. *Final plats*

must be recorded within 18 months of approval or they become null and void and must be re-approved by the appropriate authority.

§200A-74. Subdivision Types

Subdivisions shall be one (1) of the following types: *minor*, *nonstandard* or *major*. *Major* and *minor subdivisions* include subtypes:

- A. Major Subdivision Subtypes. Residential, commercial, office institutional, industrial or mixed-use.
- B. Minor Subdivisions Subtypes. Residential.

Optional: *Major* and *minor subdivisions* may also be applied for as a “Conservation Subdivision.” See §200A-82 (Conservation Subdivision) for more information regarding conservation subdivisions.

§200A-75. Minor Subdivisions

- A. Minor Subdivision Expansion. A *minor subdivision* may be expanded under the *minor subdivision* procedure if all of the following conditions are met. The expansion:
 - (1) Results in a total of ten (10) or fewer *lots* within the boundaries of the *tract* that was the subject of the original *minor subdivision* application;
 - (2) Involves no more than a total of three (3) *phases*;
 - (3) Occurs no more than three (3) years from the date of approval of the original *minor subdivision* application;
 - (4) Is designed (at least in preliminary form) and disclosed at the time of approval of the original application; and
 - (5) Does not result in greater than ten (10) *lots* within the three (3) year approval period.

If an expansion of a *minor subdivision* results in a total of greater than three (3) *lots* within three (3) years from the date of approval, then the *applicant* will be required to reapply as a *major subdivision*. The reviewing agency may require the upgrading of improvements, including *road* paving, utility upgrading and additional *right-of-way* dedication where such expansion to a *major subdivision* occurs. If adequate *right-of-way* access was not provided for future expansion, the density of any future expansion may be affected.

- B. Phased Minor Subdivisions. Applications for *phased minor subdivisions* that will ultimately contain five (5) or more *lots* must comply with the provisions of §200A-75 subsection G (Minor Subdivision Standards (Five (5) or More Lots)) at the time the original application is filed.
- C. Three (3) Year Expansion Hold for Minor Subdivisions. Except in cases of expansions of approved *minor subdivisions* allowed in §200A-75 subsection A (Minor Subdivision Expansion), the *minor subdivision* procedure may not be used a second time within three (3) years on property that is within a straight-line distance of 1,500 feet from the original property boundaries of the original *tract* which was the subject of a previously approved *minor subdivision* application and which has been in common ownership with the

original *tract* at any time within said three (3) year period. Where the distance between a recently approved *minor subdivision* and a new *minor subdivision* application is in question, the *Subdivision Administrator* may require a professional land surveyor to certify that the straight-line distance between the two (2) *subdivisions* is at least 1,500 feet on the *final plat* for the new *subdivision* application. Any additional *subdivision* activity following the three (3) year approval period must be applied for under a new *subdivision* application. No *person* may utilize the *minor subdivision* procedures for the purpose of evading the requirements of *major subdivisions*. In the event that a *person* is found to have used this subpart for purposes other than a bona fide *minor subdivision*, then such *person* shall be required to comply with any and all applicable requirements for a *major subdivision* and shall be required to rerecord a *plat*. In addition, abuse of this subsection will be deemed a *violation* of this Chapter and may subject the violator to any and all applicable penalties.

- D. Conjunction with an Application for a Major Subdivision. The *minor subdivision* procedure may not be used in conjunction with an application for a *major subdivision*. In the event that a *person* is found to have used the *minor subdivision* provisions of this Article to create parcels of land for commercial, office institutional, industrial and/or mixed-use development, then such *person* shall be required to comply with any and all requirements for a *major subdivision* and shall be required to rerecord a *plat*. In addition, abuse of this subsection will be deemed a *violation* of this Chapter and may subject the violator to any and all applicable penalties.
- E. Staff and Formal Review of Minor Subdivisions. A *minor subdivision* application may be approved by the *Subdivision Administrator* or referred to the Planning Board for review under the provisions of §200A-286 (Henderson County *Subdivision Administrator*) and §200A-269 (Henderson County Planning Board).
- F. Minor Subdivision Standards (Fewer than Five (5) Lots). A *minor subdivision* of fewer than five (5) *lots* shall:
- (1) Be exempt from the *road* requirements in §200A-77 subsection C (Roads) where private *roads* are proposed;
 - (2) Adhere to the *road* requirements in §200A-77 subsection C (Roads) where *public roads* are proposed; and
 - (3) Adhere to the requirements of the following subsections of this Article: §200A-77 subsections E, F, G, H, I, J, K and M.
- G. Minor Subdivision Standards (Five (5) or More Lots). A *minor subdivision* of five (5) or more *lots* shall:
- (1) Contain a development plan with a scaled drawing of the proposed *lot* configuration, *roads*, alternate turnaround and/or cul-de-sacs cross-sections and any associated drainage improvements (length, type, location and diameter of proposed and existing culverts) which shall be in conformance with this Chapter (see §200A-77 subsection C (Roads)). Upon review and approval of such drawings, the *Subdivision Administrator* shall issue a “conditional letter of approval” whereby the *applicant* may begin construction of such *roads* and drainage improvements. Conditional approval of a *minor subdivision* will be for

three (3) years from the issuance date of the conditional letter of approval. The expiration date for will be clearly stated within that conditional letter of approval and may not be extended. Once the conditional approval has expired, the *applicant* must reapply for conditional approval. Upon completion and subsequent inspection and approval by the *Subdivision Administrator* and upon satisfaction of the applicable requirements below, the *final plat* may be approved;

- (2) Have *roads* which are constructed and designated as either public or private. (If public, the requirements in §200A-77 subsection C(1) (*Public Roads*) shall apply and, if private, the requirements of §200A-77 subsection C(2) (*Private Roads*) shall apply); and
- (3) Adhere to the requirements of the following subsections of this Article: §200A-77 subsections E, F, G, H, I, J, K and M.

H. Applicant Familiarity with Provisions. The *applicant* shall become familiar with the miscellaneous advisory provisions contained in §200A-77 (*Major Subdivisions*).

I. Final Plats for Minor Subdivisions. The *final plat* for a *minor subdivision* shall contain all information required by the provisions of this Code.

§200A-76. Nonstandard Subdivisions

Lots for public utility use, *special use lots* and cemetery *lots*, if sufficiently identified and encumbered for all respective *uses* (i.e., pump station, water tank, *sign lot*, *common area*, etc.) may be approved either in conjunction with a *major* or *minor subdivision*, or separately by the *Subdivision Administrator*, upon submission of a *plat* describing such *subdivision*. Such *lots* are not counted in totaling the number of *lots* in a *subdivision* for administrative purposes. Public utility *lots*, *special use lots* and cemetery *lots* as defined herein are exempt from the density requirements of (Article II (*Zoning District Regulations*)) of this Chapter. *Final plats* for said *lots* must have a statement describing its *use* and that each *lot* shall not be used for residential or commercial purposes. All *plats* submitted for *nonstandard subdivision* approval must clearly depict and/or reference a platted or deeded *right-of-way* that connects each of the proposed *lots* and remainder parcels to a *public road*. *Nonstandard subdivision plats* are not subject to the requirements of §200A-77 subsections J (*Right-of-Way Access*) and K (*Road Frontage and Existing Off-Site Access*) for *right-of-way* access as well as *road frontage* and existing off-site access. *Nonstandard subdivision plats* are exempt from the *final plat* requirements of this Chapter.

§200A-77. Major Subdivisions

All *major subdivisions* shall be developed in accordance with the minimum design and construction standards set forth in this section unless specifically exempted elsewhere in this Chapter.

- A. Soil Erosion and Sedimentation Control Plan. Any *subdivision* of land regulated by the terms of this Chapter shall submit to the *Subdivision Administrator* written notice from the appropriate state and/or local agencies verifying that an Erosion and Sedimentation Control Plan has been received or a written notice from a professional land surveyor, engineer, landscape architect, architect, or professional planner certifying that no plan is required. The County encourages developers not to disturb and clear more land than is needed for construction of infrastructure and other *subdivision* related improvements.

B. Water Supply and Sewer System Required. Every *lot* within a *subdivision* shall be served by a *water supply systems* and sewer system that is adequate to accommodate the reasonable needs of the proposed *use* and comply with all applicable health regulations. Where public or community water supply and/or sewer systems are proposed, a letter from each respective agency must accompany the application, whereby such letter states that there is sufficient capacity to a make connection to the utility. The *applicant* must provide evidence that *water supply system* and/or sewer system plans have been approved by the appropriate agency. All public or private (community) *water supply systems* and sewer systems shall be installed and shall meet the requirements of the Henderson County Department of Public Health or other governmental authorities having jurisdiction thereof. The development plan may be approved contingent on final approval from such agencies; however, the *final plat* shall not be approved until all such final approvals have been obtained.

- (1) Individual Water Supply and Sewer Systems (Well and Septic Tanks). For *subdivisions* in which the *water supply system* and/or sewer system to be installed is an individual system for each *lot*, the installation of said systems will not be required prior to *final plat* approval.
- (2) Public Water and Sewer Requirements. A *subdivision* shall be required to connect to a public *water supply system* when the *subdivision* is located within a distance from the existing *water supply system* equal to the product of 100 feet multiplied by the number of *lots* proposed for the *subdivision*. However, if the *subdivision* is located more than 5,000 feet from an existing water line, such connection is not a requirement. A *subdivision* shall be required to connect to a public sewer system when the *subdivision* is located within a distance equal to the product of 50 feet multiplied by the number of proposed *lots*; however, the maximum distance required for connection shall be 2,500 feet.

Exceptions to this provision may be allowed on the basis of terrain, availability of acquiring *easements*, denial of allocation by the public utility, insufficient capacity of the public system or other circumstances which are unusual or unique to the site. Requests for exceptions must be made, in writing, to the *Subdivision Administrator* who may require that such requests be supported by a professional engineer's review of the *subdivision* plans and planned route of the utility extension. If the *Subdivision Administrator* determines that it would not be economically feasible for a *subdivision* to be connected to a public water or sewer system, another system may be used, subject to approval by the appropriate agencies.

- (3) Fire Protection Requirements. Any *subdivision* served by a public water system shall meet the County's standard of one (1) hydrant per 1000 feet of linear *road* distance. The approving utility agency may impose more stringent *fire protection* requirements where necessary. For any *subdivision* without a fire suppression rated water system, that either has or has access to an adequate permanent surface water supply (100,000 gallon storage in a 50 year drought), the *applicant* shall be required to install a dry fire hydrant system, the type and location of which is to be determined by the County Fire Marshal. An all-weather access *road* for fire-fighting equipment shall be provided by the *applicant* to this permanent surface

water supply. Where the *subdivision* is neither served by a public water system nor has or is adjacent to an adequate permanent surface water supply, such *subdivision* shall be thoroughly reviewed by the reviewing agency and the *applicant* to determine if there are alternative measures to ensure adequacy of *fire protection*. Where deemed necessary and without creating an undue hardship on the *applicant*, the reviewing agency may require the *applicant* to install alternative *fire protection* measures.

- C. Roads. All new *subdivision lots* shall abut on an approved public or private *road*. If the *tract* to be subdivided is located on both sides of an existing, recorded private *right-of-way* that contains an existing private *road*, the *applicant* shall be required to upgrade such portions of the existing private *road* which are contained on the *tract* that is being subdivided to meet the *road* standards found in this Chapter. All proposed and/or approved private *roads* may, if accepted into the *public road* system by *NCDOT*, become public. The *applicant* shall determine at the time of application if the *subdivision roads* are to be public, private or a combination of both.

(1) *Public Roads*. All *roads* proposed for public use shall be annotated "public" on plans and *plats* and shall be designed and constructed in accordance with the standards necessary to make the *roads* eligible to be put on the State Highway Maintenance System at a later date. Such standards, hereafter referred to as "*State Road Standards*," are contained in a publication of the North Carolina Department of Transportation, Division of Highways, titled "Subdivision Roads - Minimum Construction Standards," a copy of which is available for review in the office of the *Subdivision Administrator*. Designation as public shall be presumed an offer of dedication to the public. The *applicant* for a commercial, office institutional or industrial *subdivision* shall provide *roads* constructed no less than *State Road Standards*. Pursuant to G.S. 136-102.6(d) the *NCDOT* District Engineer's Office must sign a certificate of approval provided on the face of the *final plat* for any *subdivision* where *public roads* are proposed prior to County approval of the *final plat*.

(2) *Private Roads*. All *roads* not intended for public use shall be designated "private" on plans and *plats* and shall be designed and constructed in accordance with the standards of this Article (see Table 3.1). Any *subdivision* of land regulated by the terms of this Chapter shall provide, at all times, adequate and unobstructed access to private *roads* of the development for emergency response. Private *roads* proposed for nonresidential *subdivisions* shall comply with the minimum standards required by the North Carolina State Fire Prevention Code. Where private *roads* are proposed as extensions of existing *public roads*, the developer must clearly justify why proposed *roads* should not be extended for public use. To be approved, all private *roads* shall meet the minimum design and construction standards according to the following road classifications:

- a. Private Subdivision Collector Road. A "*private subdivision collector road*" is a *road* or a section of a *road* which:
 1. Provides direct or indirect access from the entrance of the *subdivision* inward to 50 or more existing or proposed *dwelling*

units and is designed to be the main travel path for such residential access. The terminus or "last block" of a *private subdivision collector road* ending in a dead end may be designed to the standards of a "*private subdivision local road*" as long as such "last block" serves fewer than 50 *dwelling units*;

2. Is designed/has the potential to serve in a future *phase*, property in the same ownership of the *applicant* that, if developed, will meet the 50 *dwelling unit* standard;
 3. Connects proposed developments with *existing developments* where the aggregate sum of *dwelling units* in both developments is 50 or more;
 4. Serves as a through-*road* connecting *lots* within a residential *subdivision* to more than one (1) public *thoroughfare*; and/or
 5. Serves a nonresidential facility located within a *residential development*, such as a frequently used recreation area, clubhouse, golf course, public utility site, etc. (See Table 3.1, "Subdivision Collector" column).
- b. Private Subdivision Local Road. A "*private subdivision local road*" is a *road* or group of *roads* which serves less than 50 existing or proposed *dwelling units* and does not connect *public roads*. (See Table 3.1, "Subdivision Local" column).
- c. Private Subdivision Limited Local Road. A "*private subdivision limited local road*" is a *road* which serves no more than four (4) residential *lots* each containing or to contain no more than one existing or proposed principal *dwelling unit* and its associated *driveway* which does not connect multiple *public roads*. *Limited local road* standards shall also apply to roadways proposed solely for maintenance and/or emergency access purposes regardless of the number of *lots* it adjoins. Emergency access *roads* shall not be used to access *lots* within the *subdivision* and appropriate signage shall be required. *Roads* proposed for such purposes should be clearly identified on all plans and *final plats*.

Table 3.1. Subdivision Private Road Standards				
Requirements		Private Road Classification ¹		
		Subdivision Collector	Subdivision Local	Limited Local
Number of Residential <i>Lots</i> Served		50+	5 to 49 ²	1-4 ²
<i>Right-of-Way</i> Width (ft.)	<i>Roads</i> (feet)	50	45	30
	<i>Cul-de-sac</i> (radius)	N/A	50	50
Sight Distance on Vertical Curves (ft.)		150	110	110
Center Line Radius (ft.) ³		110	90	90
Maximum Grade %	Stone Only	12	15	15
	Paved Surface	16	18	18

Minimum Travelway Width (ft.) (two-way road)	18	16	16
Minimum Travelway Width (ft.) (one-way road)	12	12	12
Shoulder Width (each side, two-way road) (ft.)⁴	6	4	2
Shoulder Width (each side, one-way road) (ft.)	2	2	2
Stone Base (ABC) Compacted (in.)⁵	8	6	6
Asphalt⁶	(1½ of I-2 or BST)		
Cut and Fill Slope⁷	2:1	1.5:1	1.5:1
Ditch Slope	4:1	3:1	3:1
Vertical Clearance (ft.)⁸	13.5	13.5	13.5

- 1 Road Classification applicable within *subdivisions* (*subdivision* collector/local) shall not be confused with Access Management Road Classification. For purposes of *setbacks*, access management road classifications shall be used.
- 2 Except for *right-of-way* width, required standards do not apply to *minor subdivisions* of fewer than four (5) *lots*.
- 3 Reductions in the centerline radius are permitted under specific circumstances. See §200A-77 C(5) (Minimum Curve Radius).
- 4 On private local residential *roads*, in cases where the existing cross slope is 20 percent or greater, a two (2) foot minimum shoulder width shall be permitted. On private *collector roads*, in cases where the existing cross slope is greater than ten (10) percent but less than 20, a four (4) foot minimum shoulder width shall be permitted. On private *collector roads*, in cases where the existing cross slope is 20 or greater, a two (2) foot minimum shoulder width shall be permitted. See §200A-77 E (Shoulder Stabilization).
- 5 ABC. Aggregate Base Course.
- 6 Asphalt or other similar hard surface material is optional except where the reviewing agent requires such material on steep grades, *subdivision* entrances or *road* intersections.
- 7 In cases where the existing cross slope is 20 percent or greater, 1:1 cut and fill slopes shall be permitted. See §200A-77 E. (Shoulder Stabilization).
- 8 Vertical clearance is established to allow for the passage of emergency vehicles.

If not specifically listed in Table 3.1 or elsewhere in this Chapter, design and subsequent construction of private *roads* shall be reviewed based on the standards and requirements of the *NCDOT* and with the local *NCDOT* District Engineer policy modifications. A typical *road* cross section is shown in the *NCDOT* publication entitled "Subdivision Roads - Minimum Construction Standards," a copy of which can be reviewed at the Henderson County Planning Department.

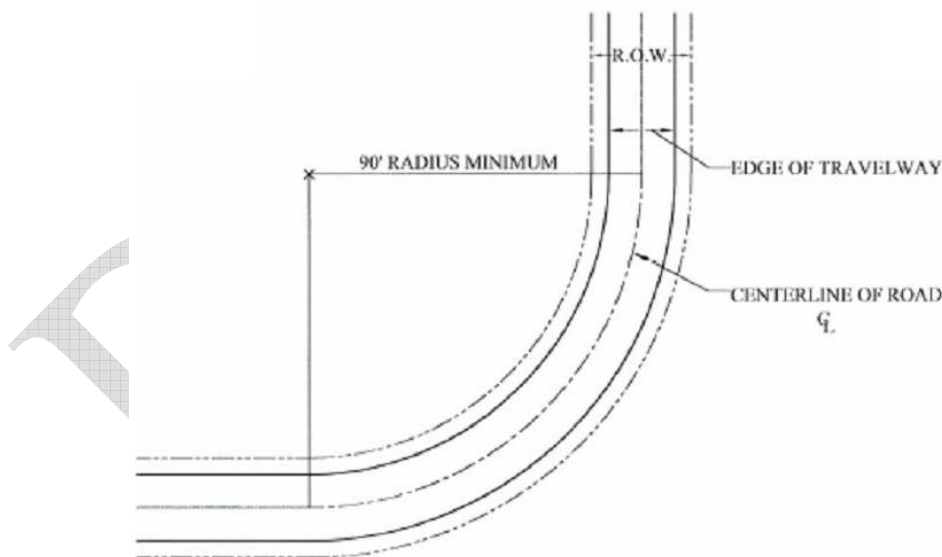
- (3) Road Drainage and Culverts. All *road* or drainage *structures* shall be constructed in accordance with *State Road Standards*. *Road* drainage side ditches shall be constructed with sufficient depth and width to carry the expected volume of *stormwater runoff*. Ditches should utilize *Best Management Practices* for road swales (such as turf matting and vegetation) to control *erosion* and transport of *sediment* and to filter pollutants from *stormwater runoff*. Where the *road* crosses streams or minor *watercourses*, culverts shall be designed and installed in accordance with *State Road Standards*. Development plans shall show all such drainage culvert locations, as well as the length, diameter and type of culvert.
- (4) Road Construction. All *roads* must be constructed with suitable stone and compacted properly. Used asphalt is unacceptable as a base course. The subbase must be of suitable soil capable of supporting the *road* above. The *road* should be built so that water will drain from the *road* surface into side ditches. Because of the difficulty of operating *vehicles* on steep grades and the high potential for *erosion*, where possible, *roads* should be constructed along the contour of the land. No stone-based *private subdivision local* or *private subdivision limited local road* may exceed 15 percent grade and no stone-based *private subdivision collector road* may exceed 12 percent grade. No paved *road* may exceed the following grades: 18 percent for a "private subdivision local road" and 16 percent for a "private subdivision collector road." The *Subdivision Administrator* may

require a professional engineer or professional land surveyor to certify on the *final plat* that no portion of the constructed *road(s)* have grades that exceed maximum allowable grade as defined herein or submit a final as-built graded center line profile showing grade and alignment for all *roads*.

- (5) **Minimum Curve Radius.** Where practical, *roads* shall be centered in the *road right-of-way*. The minimum curve radius (the distance measured from the centerline of the *road* to a fixed point inside the curve) shall be no less than 90 feet (see Figure 3A. Minimum Curve Radius) except as provided below. The *right-of-way* must include sufficient width for the *travelway*, necessary shoulders, ditches and *slopes*. Where the existing cross slope on *private subdivision limited local residential subdivision roads* or *private subdivision local residential subdivision roads* is 15 percent or greater, a minimum centerline radius of 60 feet shall be permitted. Where the existing cross slope on *private subdivision collector roads* is 15 percent or greater, a minimum centerline radius of 80 feet shall be permitted. Curve radii must be noted on development plans and master plans. The *Subdivision Administrator* may require a professional engineer or professional land surveyor to certify on the *final plat*, the existing cross slope of roadway sections where reductions in centerline radii have been requested.

Figure 3A. Minimum Curve Radius

Not to Scale

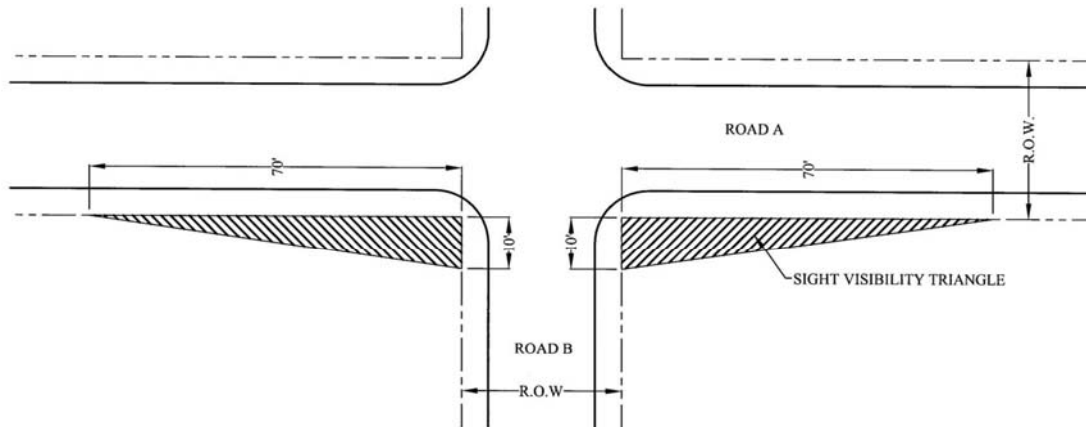


- (6) **Intersections.** An intersection is the location where two (2) or more *roads* meet or cross at a point. Intersections with angles of 75 to 90 degrees are preferred. Intersections with angles from 60 to 75 degrees are acceptable under extreme conditions which shall be determined by the reviewing agency. Under no circumstances will intersections of less than 60 degrees be approved. Road angles must be shown on all plans and *final plats*. Adequate sight distances along the proposed *roads* shall be provided by choosing a good location for the *right-of-way* and clearing *sight visibility triangles* when constructing the *road*. When

connecting *roads*, the minimum sight distance is 70 feet along the “existing” *road right-of-way* and ten (10) feet along the “new” *road right-of-way* (see Figure 3B. Sight Visibility Triangle). The intersection of *roads* must provide an adequate place for *vehicles* to stop before entering the *road*. *Roads* must have an apron design at proposed intersections in order to permit a *vehicle* to enter when another *vehicle* is waiting to turn (see Figure 3B. Sight Visibility Triangle).

Figure 3B. Sight Visibility Triangle

Not to Scale



(7) Gates. All *entry gates* shall be constructed and maintained as required by and in accordance with this Chapter and Chapter 89 of the Henderson County Code, *Entry Gates*. All proposed *entry gates* must be shown and noted on development plans, the size and type of which must be provided to ensure adequacy with applicable County regulations. The standards noted in SR 3.7 (Gates and/or Guardhouses) shall apply.

(8) Dead Ends, Cul-de-sacs and Turnarounds. Loop *roads* should be encouraged where possible in lieu of culs-de-sac or turnarounds. The reviewing agency may require additional turnarounds at intermediate locations along dead end *roads* with a centerline length of greater than 2,500 feet. The reviewing agency may require the installation of a temporary turnaround at the end of a *phased* project or a partial turnaround along any *road* that exceeds 1,500 feet in length. Stub *roads* shall be designed in locations which will permit the future extension of *subdivision roads*. *Vehicle* turnaround areas shall be provided at the end of all dead-end *roads* that exceed 300 feet. The required turnaround area of a dead-end *road* cul-de-sac shall have a radius of not less than 35 feet. Acceptable alternative turnaround designs for residential *subdivisions* are shown in Figures 3C, 3D, and 3E.

Figure 3C. Alternative Turnaround Design – Island
Not to Scale

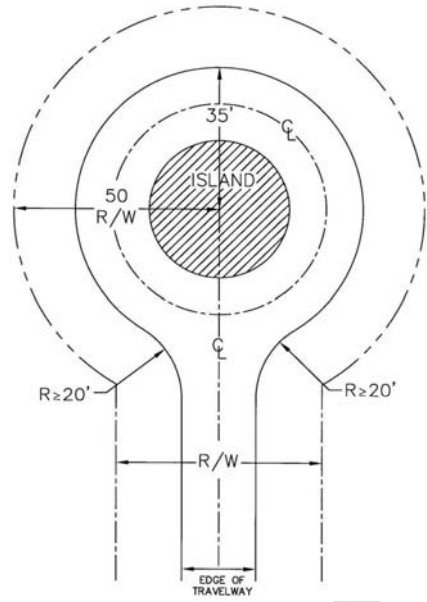


Figure 3D. Alternative Turnaround Design – Branch Turnaround
Not to Scale

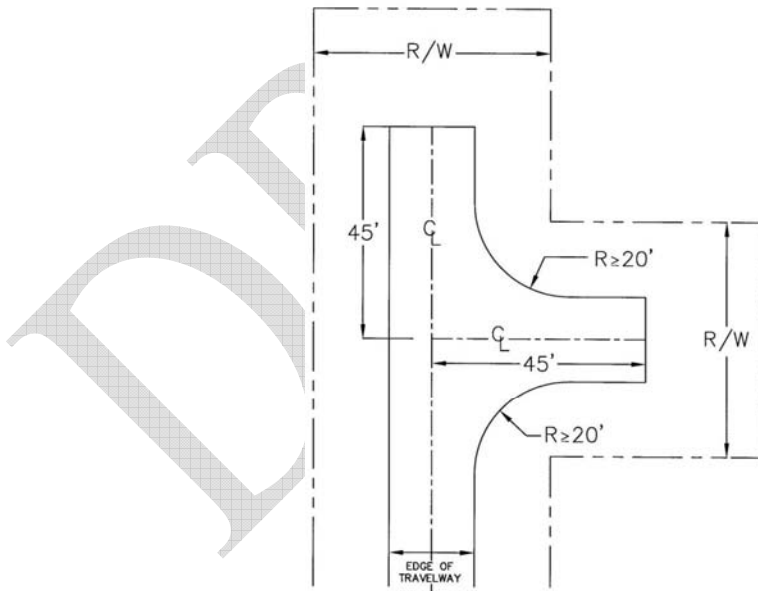
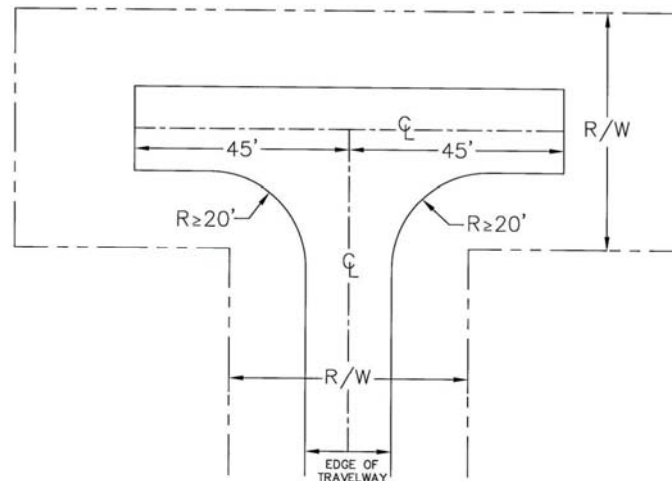


Figure 3E. Alternative Turnaround Design – T Turnaround
Not to Scale



- D. Bridges. Bridge standards shall vary based upon *subdivision* type and *road* type. For purposes of emergency management *vehicle* access, all bridges shall be engineered to a minimum weight capacity of 50,000 pounds and documentation shall be provided to indicate such (the 50,000 pound weight capacity requirement shall not apply to *driveways*).
- (1) Bridges on *Public Roads*. Bridges located on proposed *public roads* in residential, commercial or industrial *subdivisions* shall be designed according to *State Road Standards*. The *applicant* shall submit a copy of the bridge design plans as part of the development plan application. Such plans should include certification from a registered professional engineer indicating that such plans meet state standards for *public road* bridges. The reviewing agency may approve the development plan contingent on submission of such plans to the *Subdivision Administrator*. Prior to *final plat* approval or release of any *improvement guarantee*, however, the *applicant* must submit a copy of documentation indicating plan approval by *NCDOT* and a copy of an as-built bridge drawing of the bridge within certification from a registered professional engineer that the bridge meets *State Road Standards* for *public road* bridges.
 - (2) Bridges on Private Roads in Residential Subdivisions. If bridges on private *roads* in residential *subdivisions* are proposed, the *applicant* must submit a copy of bridge plans showing certification from a registered professional engineer indicating that the bridge plans meet applicable state standards. Bridges proposed for private *roads* shall comply with *State Road Standards* for drainage, hydraulics and minimum live load. Such proposed bridges must meet the standards for *vertical clearance* for *roads* shown in Table 3.1. The *travelway* width across the proposed bridge must not be less than the *travelway* width of the *road* on either side of the proposed bridge, but in no event shall the bridge *travelway* be less than 12 feet. If the *travelway* of a private bridge is less than 18 feet wide and such bridge is proposed to accommodate two-way traffic, a paved or gravel turnout shall be provided on each end of the proposed bridge to provide space for at least

one (1) *vehicle* to safely pull over and allow an oncoming *vehicle* to traverse the bridge. Line-of-sight distances adequate for safe operation of two-way traffic are required.

- (3) Bridges on Private Roads in Commercial, Office Institutional, Industrial or Mixed-Use Subdivisions. Bridges located on proposed private *roads* in commercial or industrial *subdivisions* shall be designed according to *State Road Standards*. The *applicant* shall submit a copy of the bridge design plans as part of the development plan application. Such plans should include certification from a registered professional engineer indicating that such plans meet state standards. The development plan may be approved contingent on submission of such plans to the *Subdivision Administrator*. Prior to *final plat* approval, however, the *applicant* must submit a copy of documentation indicating plan approval by *NCDOT*.
- E. Shoulder Stabilization. All areas disturbed by the construction of a private and/or *public road*, including cut and fill slopes, shoulders and ditch banks shall be seeded to stabilize the soil and prevent *erosion*. Seeding should be done as soon as feasible after *road* construction. The *Subdivision Administrator* may require that, where seasonal weather prevents seeding to stabilize disturbed areas, other materials such as straw or mulch be applied to temporarily stabilize soils until seed can be sown. While temporarily stabilized, the developer must post an *improvement guarantee* with the County to ensure installation of permanent shoulder stabilization.
- F. Road Name Approval. Proposed *road* names for a private and/or *public road* shall be pre-approved by Henderson County in accordance with Chapter 142 of the Henderson County Code, *Property Addressing*. Proposed *roads* which are obviously in alignment with other *roads* already existing and named shall bear the names of such existing *roads*. In no case shall names for proposed *roads* duplicate or be phonetically similar to existing *road* names, irrespective of the use of the suffix (i.e., road, avenue, boulevard, drive, place, court etc.). *Road* names shall not exceed 15 characters, including spaces (not including prefixes and suffixes).
- G. Subdivision Names and Name Signs. All *major subdivisions* may provide for, at the primary entrance, a *community identification/subdivision sign* to conform to the *sign* regulations of Article VII. Such *signs* should be located in dedicated *sign easements*, which must be shown on the *final plat*. The name of a *subdivision* shall not be substantially identical or similar as to likely cause confusion among prospective purchasers to any other *subdivision* or named community in the County. A *final plat* shall contain certification that the public records of the County have been searched and the proposed *subdivision* name meets the standards set forth in this Chapter.
- H. Road Name Signs and Regulatory Signs. Each *subdivision* shall provide *road name signs* and *regulatory signs* (speed limit signs, stop signs, etc.) in accordance with Chapter 142 of the Henderson County Code, *Property Addressing* and with applicable local, state and federal laws, rules and regulations.
- I. Conformance with Approved Comprehensive Transportation Plan. No *subdivision* application shall be approved unless the application preserves all lands proposed as future *rights-of-way* for any *public road* as may from time to time be included in an adopted

Comprehensive Transportation Plan for Henderson County or any incorporated municipality within the County.

- J. **Right-of-Way Access.** All *subdivision lots* must abut on private or public *rights-of-way*. Said *rights-of-way* shall meet or exceed the minimum width specified in the *State Road Standards* required by *NCDOT*, or the private *road* standards of this Article. Proposed *rights-of-way* must be capable of supporting a *road*. Such *road right-of-way* standards apply within the boundaries of the property being developed. Proposed *subdivisions* which abut an existing or recorded public or private *right-of-way* which do not meet the minimum width requirements of this Article may be required to provide the additional *right-of-way* to conform to the minimum standards shown in Table 3.1, Subdivision Private Road Standards. If the *subdivision* is located on both sides of the existing *road right-of-way*, then the full *right-of-way* requirement shall be required. In instances where the *subdivision* does not contain the entire width of the existing *right-of-way*, the *applicant* shall provide one-half (1/2) of the required *right-of-way* measured from the centerline of the existing *right-of-way*. Access to a proposed *subdivision* through another County shall meet or exceed all access requirements herein. A 30 foot wide *right-of-way* shall be permitted for a private *right-of-way* that serves no more than four (4) *lots* where, if it is unlikely due to design, topographic conditions or *existing development*, that such *road* will not be extended or serve more than four (4) *lots*.
- K. **Road Frontage and Existing Off-Site Access.** Any *tract* of land to be subdivided must either have *frontage* on an existing *public road* or a private *right-of-way* to a *public road*. When *frontage* is on a private *right-of-way* to a *public road*, the *applicant* shall have the burden to prove that this access is legal, permissible and permanent. Evidence of such *frontage* may include, but is not limited to, the deed for the property, a title search, or the recorded *plat* for the property prior to subdividing. For a proposed *subdivision* which has less than 30 feet of *frontage* on an existing *public road* or less than 30 feet of *right-of-way* to a *public road*, the *subdivision* shall not be divided into more *lots* than provided in Table 3.2. Inadequate *frontage* or existing off-site access over a private *right-of-way* shall restrict the maximum number of *lots* into which a subject *tract* may be divided, regardless of total acreage.

Table 3.2. Maximum Number of Lots Permitted	
Road Frontage or Existing Off-Site ROW at the Narrowest Point	Maximum Number of Lots Permitted
Less than 30 feet	1 lot per acre
30 feet or greater	No maximum

In the event that five (5) or more *lots* may be created and the grade of the *road* at any point in the off-site access *right-of-way* exceeds 18 percent grade with a paved surface and 15 percent grade with a gravel surface, then the *TRC* will review the application on a case-by-case basis.

- L. **Stormwater Drainage.** The development plan shall show the general drainage patterns of all areas of the *subdivision*. Where the drainage of the *subdivision* does not follow the natural drainage of the property, the *applicant* shall design such new drainage systems, including swales, ditches, pipes, culverts, detention ponds, lakes or similar devices to minimize any adverse effect on the proposed *subdivision* and on adjacent and

downstream properties. Stormwater drainage improvements shall be designed and constructed to: minimize *erosion* and downstream *sedimentation*, filter pollutants from stormwater before it reaches surface water, follow natural drainage (where possible), minimize flooding or standing water conditions, maintain desirable groundwater conditions and avoid excessive stormwater discharge. Points of stormwater discharge shall be within the site unless otherwise approved by the reviewing agent and adjoining property owners.

All *roads*, bridges and major culverts shall be designed according to *State Road Standards*. An *easement* shall be reserved on-site by the *applicant*, or otherwise provided, conforming to the lines of any drainageway into which natural runoff has been diverted. Drainage improvements, where applicable, shall be designed in accordance with *State Road Standards*.

M. Lot Designs.

- (1) Lot Dimensions. The *lot size*, width, depth, shape, orientation and *building setback* lines shall be reasonable for the location of the *subdivision* and for the type of development. The minimum *lot size*, depth, width and *setbacks* shall comply with the district requirements of this Chapter and/or the requirements of the *water supply watershed* requirements of this Chapter, where applicable. *Lot size* shall be calculated excluding *road right-of-way*.
- (2) Special Use Lots and Common Areas. *Special use lots* that are not intended for sale and have restricted *use* such as for placement of a *sign*, *common area(s)*, recreation area(s), water tank, pump station, etc., may be exempted for the purpose of calculating the number of *lots* in a *subdivision*. Proposed *structures* on such *lots* must, however, meet any applicable zoning or *water supply watershed* requirements. Such *special use lots* must be clearly identified for their designated *use* on the development plan and the *final plat*.
- (3) Future Development. Master plans and development plans should be drawn to show all short-term and long-term plans of the *applicant*, including the general location of *roads*, *lots* and other features. It is expressly acknowledged that long-term plans are subject to change; however, to the extent that an *applicant* has such long-term plans, they should be disclosed.
- (4) Lot Configuration and Frontage. Where possible, side *lot* lines shall be at right angles or radial to the *roads* on which the *lots* face. *Flag lots* or *lots* which only have a narrow strip of land fronting the *lot* on a *road* may be approved by the reviewing agency, but only under unusual circumstances. The narrowest width of any *lot* abutting the *right-of-way* will be 30 feet.

N. Air Quality. As required by *NCGS* Chapter 143, Article 21, all *subdivisions* shall show proof of compliance, if applicable, with air quality guidelines established by the Division of Environmental Management and *NCDENR*.

O. Farmland Preservation District Setback. Where a *subdivision* of land occurs, a minimum 100 foot *setback* for all *buildings* or other *structures* is required from any Farmland Preservation District. Farmland Preservation Districts are marked on official maps maintained by the Henderson County Soil and Water Conservation District office and

displayed for public view in the following County offices: Registrar of Deeds, Code Enforcement Services, Tax Collector, Soil and Water Conservation District, Cooperative Extension, Land Records and on the County's GIS Online website. The County strongly encourages any *subdivision* located adjacent to a Farmland Preservation District to use the Conservation Subdivision Option (§200A-82 (Conservation Subdivisions)). The minimum 100 foot *setback* from Farmland Preservation Districts, where applicable, must be noted on development plans and *final plats*.

- P. Notice of Farmland Preservation District. If the property proposed for a *major subdivision* lies within one-half ($\frac{1}{2}$) mile of any land in a Farmland Preservation District, the *applicant* must submit an affidavit certifying that the *applicant* is aware of existing Farmland Preservation Districts as identified on maps provided by the Henderson County office of the Natural Resource Conservation Service. In addition, a note on the *final plat* for a *major subdivision* shall state that such property lies within one-half ($\frac{1}{2}$) mile of land in a Farmland Preservation District.
- Q. Pedestrian Facilities. It is intended that reasonable pedestrian access is provided for larger *subdivisions* to promote healthy and safe walking environments in the *neighborhoods* of Henderson County.
- (1) Pedestrian Facilities Required. All *subdivisions* of 100 or more *lots*, with a *density* equal to or greater than two (2) units per acre shall provide one (1) linear foot of sidewalk or walking trail for every linear foot of improved or newly proposed roadway.
 - (2) Design, Location, and Materials. Sidewalks shall be constructed with concrete, asphalt, or other permanent all-weather surface such as gravel. Sidewalks and walking trails shall be at least five (5) feet in width and must be located in a *road right-of-way*, pedestrian access *easement*, or other dedicated *open space*. The location and design of sidewalks and walking trails shall be indicated on the master plans, development plans, and *final plats* of all *subdivisions* when sidewalks/walking trails are required by this section. The approving authority shall approve the location and design of such facilities (Article XI, Subpart C. Subdivision Review and Approval).
 - (3) Maintenance and Expansion. When pedestrian facilities are required by this section, a homeowners' association shall be established prior to recording any *final plat*. Such association shall have the authority to compel homeowners to pay dues or assessments for the maintenance and expansion of pedestrian facilities. Prior to recording any *final plat(s)* the applicant shall produce evidence to the *Subdivision Administrator* that covenants have been recorded in the Register of Deeds to establish a homeowners' association which meets the requirements of this section.
- R. Street Tree Requirements. Street trees shall be required for all major subdivisions in accordance with Article V (Landscape Design Standards) Subpart C (Street Tree Requirements).
- S. Miscellaneous Advisory Provisions. The following provisions should be reviewed and followed, if applicable, by the *applicant*:

- (1) Stream Setbacks. A minimum 30 foot *setback* for *buildings* or other *structures*, excluding bridges or culverts, is required along all *perennial streams* indicated on the most recent version of *USGS* 1:24,000 (7.5 minute) scale topographic maps and as provided in §200A-216 (Perennial and Intermittent Surface Waters). The minimum 30 foot *setback* from *perennial streams*, where applicable, must be noted on development plans and *final plats*.
- (2) Utility Easements. Utility *easements* should be provided, preferably centered on rear or side *lot* lines, and should be at least 20 feet in total width. The *applicant* should discuss *easement* locations with the appropriate utility agency.
- (3) Road Disclosure Requirements. North Carolina law, under *NCGS* §136-102.6, requires that a developer make certain disclosures to each and every buyer of property, including whether the *road* serving the buyer's *lot* is public or private, who owns the *road*, how the *road* will be maintained and who shall be responsible for such maintenance. The law further requires certain *road* maintenance agreements be executed.
- (4) Soils Map. Where *subdivisions* are proposed, with an average *lot size* of less than one (1) acre, and no public or community sewer is available, the *applicant* should review a soils map of the property and be knowledgeable of the suitability of ground absorption systems for his development.

§200A-78. Affordable Housing Subdivisions (Reserved)

§200A-79. Reserved

§200A-80. Reserved

§200A-81. Reserved

§200A-82. Conservation Subdivisions (Option)

- A. Open Space Requirement. A minimum of 25 percent of the project area shall be retained as *open space* for a conservation *subdivision* design.
- B. Composition of Open Space. *Open space* should be composed of primary conservation area first, secondary conservation area (if necessary) second, and all other remaining land not classified as primary or secondary conservation areas (if necessary) third.
 - (1) Primary Conservation Areas. Primary conservation areas consist of the following site features:
 - a. Floodplains and Hydric Soils. *Floodplains* (100-year and 500-year) and hydric soils identified as part of: (1) a *Flood Insurance Study* prepared by the Federal Emergency Management Agency (*FEMA*); or (2) the County Soil Survey prepared by the USDA Natural Resources Conservation Service.
 - b. Perennial Stream Buffer. Land located within 50 feet of the bank of any *perennial stream*.
 - c. Slopes. *Slopes*, (those greater than 30 percent (13.5 degrees)), identified as part of: (1) a County Soil Survey prepared by the USDA Natural

Resources Conservation Service; and/or (2) a site analysis conducted by a registered professional engineer, professional land surveyor, landscape architect, architect or land planner and calculated using topographic maps from an actual survey or from the US Geological Society.

(2) Secondary Conservation Areas. Secondary conservation areas consist of the following site features:

- a. Farmland. Farmland (whether actively used or not) including cropland, fields, pastures and meadows.
 - b. Natural Areas, Wildlife Habitats, and Corridors. Natural areas, wildlife habitats and corridors identified as part of: (1) an Inventory of Natural Areas and Wildlife Habitats as prepared by a State agency, the Nature Conservancy or a local land trust; (2) a required Environmental Assessment or Environmental Impact Statement; and/or (3) an independent site study conducted by a trained botanist and/or biologist.
 - c. Slopes. *Slopes* of 20 to less than 30 percent (nine (9) to less than 13.5 degrees), which require special *site* planning due to their *erosion* potential, limitations for septic tank nitrification fields and terrain or elevation changes. (Such areas may be suitable for *building* but higher site preparation and construction costs are to be expected.)
 - d. Historic/Archeological Sites. Historic and/or archeological sites including, but not limited to, sites listed on the National Register of Historic Places or included on the State's National Register study list, designated as a local historic landmark or district and/or designated as having a high potential for archaeological remains. Such sites are generally identified as part of a: (1) local architectural survey; (2) local archaeological survey; (3) required Environmental Assessment or Environmental Impact Statement; and/or (4) independent site study conducted by a trained architectural historian or archaeologist.
 - e. Non-Commercial Cemeteries.
 - f. Viewsheds. Scenic views, especially of natural and cultural features from designated scenic *road* corridors, including "views from the *road*" as well as views outward from potential home sites.
- C. Connectivity of Open Space. At least 50 percent of the proposed *open space* shall be in a contiguous *tract*. The *open space* should adjoin any neighboring areas of *open space* outside the project area, and/or other *protected areas* such as protected forests or wildlife areas.
- D. Permitted Uses of Open Space. *Uses* of *Open Space* may include the following:
- (1) Conservation. Conservation of natural resources, archeological resources or historical resources.
 - (2) Agriculture. *Agriculture*, horticulture, or silviculture, provided that all applicable *best management practices* are used to minimize environmental impacts.

- (3) Passive Recreation.
 - (4) Active Recreation. Active recreational *uses* of *open space* are permitted, given that *impervious surfaces* are limited to a maximum of 12 percent of the total *open space* area.
 - (5) Stormwater Management. Nonstructural stormwater management practices.
 - (6) Utility Easements. *Easements* for drainage, access, and underground utility lines.
 - (7) Water, Septic, and Sewer Systems.
- E. Prohibited Uses of Open Space.
- (1) Use of Motor Vehicles. (Except for maintenance purposes as provided for in the Open Space Management Plan).
 - (2) Roads, Parking Lots and Impervious Surfaces. (Except when accessory to active recreational *uses*).
- F. Ownership of Open Space. The *applicant* must identify the current and future owner(s) of the *open space* who is responsible for maintaining such area/facilities. If a homeowners' association is the owner, membership in the association shall be mandatory and automatic for all homeowners within the *subdivision* and their successors. If a homeowners' association is the owner, the association shall have lien authority to ensure the collection of dues from all members. The responsibility for maintaining the *open space* and any facilities located thereon shall be born by the owner.
- G. Management of Open Space. The *applicant* shall submit a management plan for all proposed *open spaces*. The plan shall be referred to as the "Open Space Management Plan" and shall include:
- (1) A statement allocating maintenance responsibilities and establishing guidelines for the upkeep of *open spaces* and all associated facilities;
 - (2) Cost estimates for all maintenance, operation and insurance needs for the *open space*, as well as a plan that outlines the means by which funds will be obtained for such expenses;
 - (3) A provision that allows changes to the plan to be approved by the *Subdivision Administrator*; and
 - (4) Establishment of criteria for enforcement of the plan.
- H. Legal Instrument for Permanent Protection. *Open space* proposed for a conservation subdivision shall be protected in perpetuity by a binding legal document that is recorded with the deed. The document shall be one of the following three (3) options:
- (1) Permanent Conservation Easement. A permanent conservation *easement* in favor of either:
 - a. A land trust or similar conservation-oriented non-profit organization with legal authority to accept such *easements*. The organization shall be bona fide and in perpetual existence and the conveyance instruments shall contain an appropriate provision for retransfer in the event the organization becomes unable to carry out its functions; or

- b. A governmental entity with an interest in pursuing goals consistent with the intentions of this Section.

(2) Permanent Restrictive Covenant. A permanent restrictive covenant for conservation purposes.

(3) An equivalent legal tool that provides permanent protection, if approved by the County Attorney.

The instrument for permanent protection shall include all restrictions contained in this Article, as well as any further restrictions the *applicant* chooses to place on the *use* of the *open space*.

- I. Open Space Density Bonuses. The base density for a conservation subdivision is determined by the zoning district in which the development parcel is located. Conservation subdivision designs that propose greater amounts of *open space* may be eligible for increased densities. Table 3.3, Open Space Density Bonuses, outlines the criteria for housing density bonuses. Permitted housing densities shall not exceed the maximum allowances of any applicable *water supply watershed* requirements.

Table 3.3. Open Space Density Bonuses				
Percent <i>Open Space</i> (%)	25-30	31-40	41-50	>51
Percent Housing Density Increase (%)	N/A	10	15	20

- J. Agricultural Preservation Density Bonus. Conservation subdivisions proposed for the purposes of sustaining existing on site bona fide agricultural operations are entitled to a five (5) percent increase in permitted density. Ideally, residential *lots* in such developments should be located in areas less suitable for agricultural production, while prime farmland areas of the property should be reserved as *open space*. It is strongly recommended that development parcels be located where agricultural operations do not interfere with the safety and/or well being of potential future residents. Where deemed necessary, the reviewing agency may require vegetative buffering and/or additional *setbacks* between agricultural operations and residential *lots* to mitigate any potential impacts of noise, vibration, light, and/or odor on residents. The agricultural preservation density bonus may be used in conjunction with any applicable *open space* density bonus.

- K. Lot and Structure Placement.

(1) Structure Placement.

- a. Setbacks. *Structures* within a conservation subdivision should be placed as closely to *internal roads* as permitted. The reviewing agency may reduce the front yard setback to a minimum of five (5) feet. In such cases, the reviewing agency must take into consideration sound engineering, public safety concerns and community character when applying standards.

- b. Separation. *Structures* within conservation subdivisions may be located in the *side yard* setback required by the zoning district regulations. *Structures* may be placed as closely together as permitted by the North Carolina State Building Code.

- (2) **Lot Proximity to Open Space.** *Open space* shall be accessible to the largest possible number of *lots* within the development. To achieve this, the majority of *lots* should abut *open space* to provide residents with direct views and access. Safe and convenient pedestrian access to the *open space* from all adjoining *lots* shall be provided, except in the case of farmland or other resources areas vulnerable to trampling damage or human disturbance.
- L. **Private Driveway Easements.** Private *driveway easements* may be used in place of public and/or private *roads* where proposed to provide access to two (2) or fewer *lots*. The minimum required *easement* width is 30 feet and shall have a centerline width of no more than 500 feet. Proposed *driveway easements* should be clearly identified on all plans and *plats* with a description of what *lots* the *easement* is proposed to serve. *Final plats* creating *driveway easements* must contain a note that conveys maintenance responsibility of the *easement* to the home owners utilizing it to access their property. The note shall specifically state that the *easement(s)* must be maintained to allow clear passage for emergency response *vehicles*. *Driveway easements* are not subject to the requirements of §200A-77.C.7 for public or private *roads*.
- M. **Review and Approval.**
- (1) **Ten (10) or Fewer Lots.** The review and approval process for conservation subdivisions of ten (10) or fewer *lots* shall be the same as that of a *minor subdivision* (see §200A-75 (Minor Subdivision)). Such developments are subject to all *minor subdivision* requirements except:
- a. §200A-75.G. (Minor Subdivision Standards (Five (5) or More Lots))
 - b. Item 1 of §200A-77.M. (Lot Designs)
- (2) **Greater than 10 Lots.** Conservation subdivisions in excess of ten (10) *lots* shall be approved as a *major subdivision* (see Article III). Such developments are subject to all *major subdivision* requirements except:
- a. Items 4 of §200A-77.M. (Lot Designs)

Subpart B. Subdivision Improvement Guarantees

§200A-83. General

Where the required improvements have not been completed, prior to the submission of the *final plat* for approval, the approval of said *plat* shall be subject to the *applicant* guaranteeing the installation of the improvements within two (2) years. Plans, specifications, quantities, unit costs and estimated total costs shall be provided by the *applicant* to the *Subdivision Administrator* together with a schedule indicating time of initiation and completion of the work, as a whole or in stages and any required fee. Cost estimates must be prepared by a professional engineer, professional land surveyor or landscape architect at the *applicant's* expense. The *applicant* shall guarantee the installation of such improvements by either of the methods described below:

- A. Filing a performance or surety *bond* or an irrevocable standby letter of credit in the amount of 125 percent of the cost to complete the work as determined by cost estimates. Portions of the guarantee may be released as work progresses.

- B. Depositing or placing in escrow a certified check or cash in an amount equal to 125 percent of the cost to complete the work as determined by cost estimates amount. Portions of the guarantee may be released as work progresses.

§200A-84. Amount and Terms of Guarantee; Time Limits

All guarantees shall be accompanied by a written agreement (performance agreement) specifying the terms and the amount of the guarantee. Following receipt of an *improvement guarantees* application, the *Subdivision Administrator* shall review all application materials taking into consideration the amount and terms of the guarantees for improvements, including time of initiation and completion of the work. The *Planning Director* shall have the authority to approve all improvement guarantee applications. The *Planning Director* may also, upon proof of difficulty, grant an extension of completion dates set forth in its approval for a maximum of one (1) additional year, but the time between initiation and the completion of the required improvements shall not exceed two (2) years. The amount of the guarantee shall be sufficient to provide adequate funds to the County to ensure, in the case of default, the installation of all required improvements uncompleted at the time of default. All guarantees for improvements shall comply with applicable statutory requirements and shall be satisfactory to the County Attorney or Staff Attorney as to form, sufficiency and manner of execution. Guarantees employing lending institutions shall require that those banking corporations be licensed to do business in North Carolina.

§200A-85. Reserved

§200A-86. Reserved

§200A-87. Reserved

Subpart C. Application, Enforcement and Legal Status Provisions

§200A-88. Designation of Agent

The *applicant* for any *subdivision* review or approval procedure may submit, along with any initial application, an affidavit specifying an agent who may represent the owner in all matters.

§200A-89. Approval Prerequisite to Plat Recordation

Pursuant to *NCGS* §153A-331, and except where otherwise provided in this Chapter, no *final plat* of a *subdivision* within the jurisdiction of this Chapter shall be recorded by the Register of Deeds of Henderson County until it has been approved by the *Subdivision Administrator*, Technical Review Committee, or Planning Board as provided herein. The Register of Deeds shall not file or record a *plat* of the *subdivision* of land, any part of which is located within the jurisdiction of this Chapter that has not been approved in accordance with these provisions. In addition to meeting the requirements of this Chapter, *subdivisions* proposed within designated *water supply watershed* areas shall be subject to the provisions of the *Water Supply Watershed Protection* requirements of this Chapter, and the *Watershed Administrator* or his designee shall certify on such *plats* that the *subdivision* complies with the provisions of the *Water Supply Watershed Protection* requirements of this Chapter.

§200A-90. Certification of Exemptions

Any *plat* of property exempted from the regulations of this Chapter shall be certified by the *Subdivision Administrator* or a professional land surveyor as exempt, prior to such *plat* being recorded. Such *plat* is not exempt from the other requirements set forth in this Chapter or any other local ordinances. Pursuant to NCGS §47-30 (f) 11 (Duty of the Surveyor), a professional land surveyor may certify that such *plat* represents an exception to the definition of *subdivision* and is not subject to the provisions of this Article. Such *plat* may be recorded without being certified by the *Subdivision Administrator*. Any exemption from the regulations of this Chapter shall not be deemed an exemption from any other applicable ordinance. Any court-ordered *subdivision* should comply, to the maximum extent possible, with the provisions of this Chapter.

§200A-91. Plat Approval Required for Building Permit

No building permit may be issued for any construction on any proposed *lot* shown on a development plan until a *final plat* has been approved and recorded, except that a building permit may be issued for one (1) *structure* on one (1) *lot* shown on any approved development plan prior to recordation of a *final plat*. The Building Services Department shall deny building permits for *subdivision lots* created in *violation* with the terms and conditions of this Chapter.

§200A-92. Land Auctions

Where application for *major* or *minor subdivisions* is made with the intent that such divided property will be sold at land auction, the *final plat* shall clearly state the following: "The property herein is to be sold by auction. Any further *subdivisions* must meet applicable standards set forth in the Henderson County Land Development Code." In addition, restrictive covenants regarding *road* maintenance for any dedicated *rights-of-way* must be approved in advance by the appropriate reviewing agency and recorded prior to such auction.

§200A-93. Limitation on Applications Pending

Only one (1) application for a *subdivision* may be reviewed by any reviewing agency at any one (1) time on any of the original property boundaries. An application is only valid for up to one (1) year after its submission to the Planning Department. Applications submitted over one (1) year prior must be updated and resubmitted.

§200A-94. Violations and Penalties

If an *applicant* of a *phased minor* or *major subdivision* is in *violation* of any regulation in Article III (Subdivision Regulations) for the first *phase* of the *subdivision* then the *applicant* will not be allowed to continue developing future *phases* of the *subdivision* and any County issued permits may be revoked or suspended by the County. Upon verification by Henderson County Planning Staff that the *subdivision* no longer violates the provisions of Article III, *subdivision* approval and any suspended permits will become valid. The *applicant* may reapply pursuant to applicable provisions of the Land Development Code to have any revoked permits reinstated.

§200A-95. Reserved**§200A-96. Reserved****§200A-97. Reserved****§200A-98. Reserved**

§00A-99. Reserved

§00A-100. Reserved

DRAFT

ARTICLE IV

ADEQUATE PUBLIC FACILITIES REGULATIONS (Reserved)

- §200A-101. Reserved
- §200A-102. Reserved
- §200A-103. Reserved
- §200A-104. Reserved
- §200A-105. Reserved
- §200A-106. Reserved
- §200A-107. Reserved
- §200A-108. Reserved
- §200A-109. Reserved
- §200A-110. Reserved
- §200A-111. Reserved
- §200A-112. Reserved
- §200A-113. Reserved
- §200A-114. Reserved
- §200A-115. Reserved
- §200A-116. Reserved
- §200A-117. Reserved
- §200A-118. Reserved
- §200A-119. Reserved
- §200A-120. Reserved
- §200A-121. Reserved
- §200A-122. Reserved
- §200A-123. Reserved
- §200A-124. Reserved
- §200A-125. Reserved
- §200A-126. Reserved
- §200A-127. Reserved
- §200A-128. Reserved
- §200A-129. Reserved
- §200A-130. Reserved

DRAFT

ARTICLE V
LANDSCAPE DESIGN STANDARDS

§200A-131. General

The requirements set forth in this Article shall be complied with in addition to any other general or specific requirements of this Chapter. The regulations of this Article apply to: (1) the establishment and operation of a new use; (2) the entire property where any expansion of *floor area*/paved surface equals or exceeds 50 percent of the pre-expansion area; and (3) those portions of property which extend around and are parallel to the expansion of *floor area*/paved surface where the expansion area is less than 50 percent of the pre-expansion area. These requirements in no way relieve a *use* of having to meet all local, state and federal laws pertaining to the establishment and operation of that *use*.

Subpart A. Buffer Requirements

§200A-132. General

The landscaping standards of this subpart provide requirements for all buffering. This section provides standards for each *buffer* type. The following standards shall be in effect to provide an appropriate transition between *uses*, and compliance therewith is required for the establishment and operation of a new *use*.

§200A-133. Buffer Determination

Buffers will be determined by identifying the zoning districts of adjacent land *use(s)*. Table 5.1 outlines *buffers* required between zones. Where the property shares a boundary with more than one (1) zone, the width of the most intense *buffer* shall be required along the perimeter of the area to be developed; however, the plant materials required shall be calculated and placed based on the respective applicable *buffer*. See §200A-114 (Plant Material) for required plant material.

Table 5.1 Buffer Requirements			
Zoning District	Industrial	Commercial	Residential
Industrial	N/A	B1	B2
Commercial	B1	N/A	B1
Residential	B2	B1	N/A

§200A-134. Plant Material

Table 5.2 describes the width and plant material requirements for the *buffers* identified in Table 5.1. The length of the perimeter of the area to be developed shall be used in determining the number of plants required.

Table 5.2 Buffer Width and Plant Material Requirements					
Buffer Type	Width (ft)	Plant Material Required Per 100 Linear Feet			
		Deciduous Trees		Evergreen Trees	
		Large	Small	Large	Small
B1	20	1	2	2	6
B2	30	2	3	5	12

§00A-135. Plant Material Placement

The placement of *buffer* plantings shall be at the discretion of the developer, and shall be approved as part of the *site plan* submitted. *Trees* or *shrubs* shall not be planted within five (5) feet of any property line to ensure maintenance for access and to avoid encroaching onto the adjacent property. Where a *setback* requirement is less than the *buffer* requirement, the *buffer* width shall override the *setback* width. Where a *setback* requirement is greater than the *buffer* requirement, plant material requirements shall still be applied and such plant materials shall be placed within the *buffer* area. *Trees* and *shrubs* shall be spaced to provide *screening*.

Subpart B. Parking Lot Landscaping Standards

§00A-136. General

The landscaping standards of this subpart provide requirements for all parking lots consisting of ten (10) or more spaces. The following standards shall be in effect for each parking lot of this size, and compliance therewith is required for the establishment of a new or expansion of an existing parking lot.

§00A-137. Plant Material Placement

For every five (5) parking spaces one (1) *small* or *large deciduous tree* shall be required.

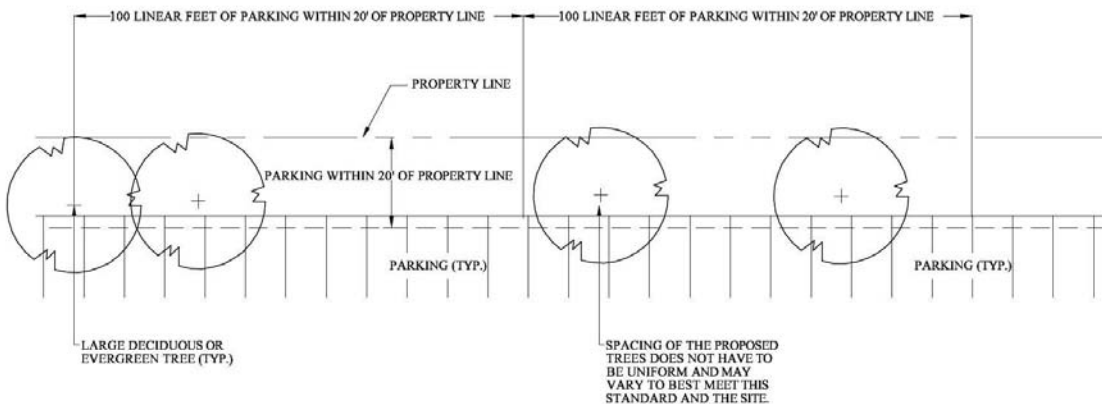
Plant material shall be placed within the parking lot or within 20 feet of the perimeter of the parking lot. All parking spaces shall be within 60 feet of a *tree*, as measured from the *tree* trunk to any portion of a parking space.

§00A-138. Planting Strip

When no *buffer* is required along front, side, and rear property lines of a development and parking is proposed within 20 feet of said property lines, a planting strip is required. The planting strip shall be a minimum of ten (10) feet in width and shall contain two (2) *small* or *large deciduous* or *evergreen trees* per 100 linear feet (see Figure 5A). A planting strip design may include *small* and *large deciduous* and *evergreen trees* and *shrubs*. For the purpose of a planting strip, six (6) *shrubs* shall be considered equivalent to one *small* or *large deciduous* or *evergreen tree*.

Figure 5A. Planting Strip

Not to Scale, Dimensions May Vary

**§200A-139. Parking Island**

When parking lots contain multiple bays of parking, parking islands shall be installed and one-third (1/3) of the required plant material for the parking lot shall be placed within the islands. A parking island shall be a minimum area of 130 square feet per *tree* and a minimum width of eight (8) feet (measured from back-of-curb to back-of curb or edge of pavement to edge of pavement). Flat curbed islands or islands with curb cuts designed to be used as bio-retention areas (for treating *stormwater runoff*) should be used, where possible.

§200A-140. Non-Curbed Parking Lot

Plant material placed within six (6) feet of the edge of pavement must be *bermed* or have installed wheelstops or bollards to ensure that parking/moving cars do not damage the plant material. The *Zoning Administrator* may approve other methods to protect plant materials on a case-by-case basis.

Subpart C. Street Tree Requirements (Major Subdivisions)**§200A-141. General**

The landscaping standards of this Article provide requirements in order to: (1) improve the aesthetic quality of the County; (2) encourage the preservation of existing *trees* and vegetation; (3) replenish *trees* and vegetation removed due to development; and, (4) reduce *stormwater runoff*, decrease *erosion*, improve water quality and protect wildlife habitat. These requirements in no way relieve a *use* of having to meet all local, state and federal laws pertaining to the establishment and operation of that *use*. The landscaping standards of this subpart provide requirements for street *trees*. This section provides general standards for street *trees*. The following standards shall be in effect for *major subdivisions*, and compliance therewith is required for the establishment of a *major subdivision*.

§200A-142. Plant Material

Trees shall be required at the rate of either:

- A. One (1) *large deciduous tree* per 50 linear feet of property abutting an *internal road*; or

- B. (Where overhead utilities are present) one (1) *small deciduous tree* per 40 linear feet of property abutting an *internal road*.

§200A-143. Plant Material Placement

Trees shall be placed within the *right-of-way* or within 20 feet of the edge of the *right-of-way*. *Trees* may be placed in groups with a minimum spacing of no less than 15 feet and a maximum spacing of no more than 65 feet. Where street *trees* are required in the vicinity of existing/proposed above grade power lines the following shall apply: (1) *trees* may be placed up to 30 feet from the edge of the *right-of-way* to prevent interference with power lines; or, where this is not possible, (2) *trees* may be placed elsewhere within the development in proposed *buffers*, parking lot landscaping, etc.

Subpart D. Screening and Fencing Requirements

§200A-144. General

The landscaping standards of this subpart provide requirements for *screening* of *uses*. This section provides general and use specific standards for *screening*. The following standards shall be in effect for *uses* identified as requiring *screening*, and compliance therewith is required for the establishment of a new *use* or change in *use* where *screening* is required.

§200A-145. Plant Material Placement

The exact placement of screen plantings shall be at the discretion of the designer or developer, and shall be approved as part of the *site plan*. Plants should be installed to provide a year-round screen when viewed from adjacent property. *Trees* or *shrubs* shall not be planted within five (5) feet of any property line to ensure maintenance access and to avoid encroaching onto the adjacent property. Proposed landscaping shall not interfere with the access and operation of the *use* which is being screened.

§200A-146. Buffer Type and Screening

A screen shall not be required along those portions of the *use* where it runs parallel to and is within 20 feet of a *Buffer* (B1 or B2).

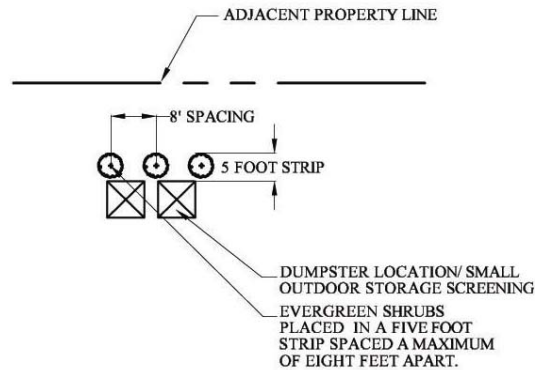
§200A-147. Screen Classification

Screen Classes include:

- A. Screen Class One (1). A continuous hedge of *evergreen shrubs* (a minimum of eight (8) feet in height at maturity) planted in a five (5) foot strip spaced a maximum of eight (8) feet apart (see Figure 5B).

Figure 5B. Screen Class One (1)

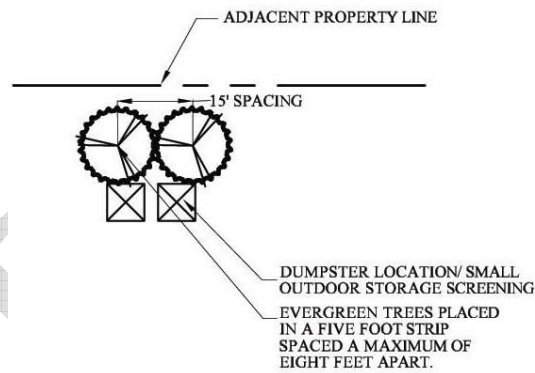
Not to Scale



- B. Screen Class Two (2). A row of *conical evergreen plants* (a minimum of eight (8) feet in height at maturity) planted in the 15 foot area around that *use and structure* which is to be screened, and spaced a maximum of 15 feet apart (see Figure 5C).

Figure 5C. Screen Class Two (2)

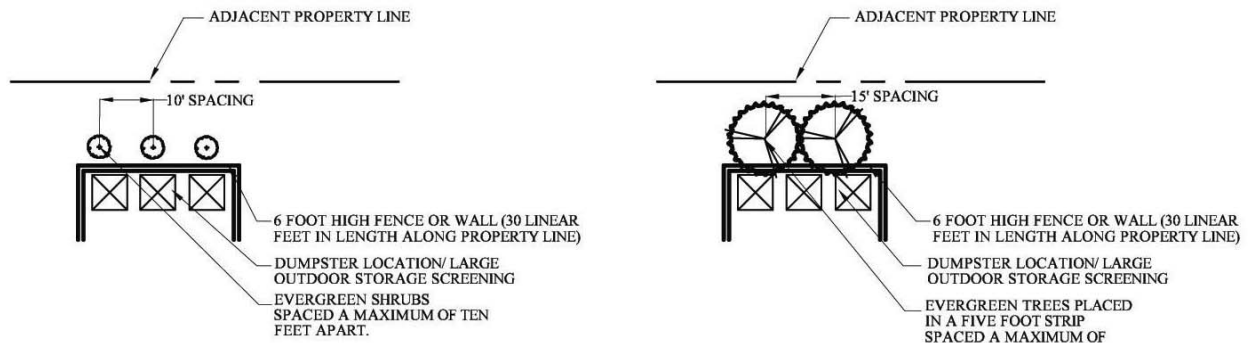
Not to Scale



- C. Screen Class Three (3). A fence or wall constructed with a minimum height of six (6) feet, that is at least 75 percent *opaque*, where all spaces are evenly distributed, and with the finished side of the fence facing the adjacent property or *road*. Fences longer than 20 linear feet shall be landscaped with: a row of *shrubs* spaced a maximum of ten (10) feet apart, or a row of *evergreen trees* planted no more than 15 feet apart (see Figure 5D).

Figure 5D. Screen Class Three (3)

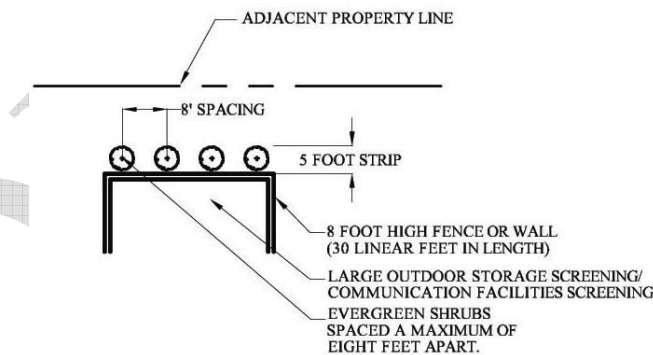
Not to Scale



- D. Screen Class Four (4). A fence or wall constructed with a minimum height of eight (8) feet designed to facilitate the movement of maintenance and emergency response equipment to and from the proposed site. Gates should be secured at all times (unless for maintenance, inspection, or other unforeseen instances) following the completion of construction. Fencing may be in common with other *existing uses* on site. Fences longer than 20 linear feet shall be landscaped (excluding the gate area) with: a continuous hedge of *evergreen shrubs* planted in a five (5) foot strip spaced a maximum of eight (8) feet apart. The *Zoning Administrator* may require additional *screening* to minimize adverse impacts of ground level lighting (where installed) (see Figure 5E).

Figure 5E. Screen Class Four (4)

Not to Scale



Subpart E. General Landscaping Standards

§00A-148. General

The landscaping standards of this subpart provide requirements, standards and options applicable to all other subparts and sections within this Article.

§00A-149. Plant Specifications

- A. Plant Standards. Plant material shall: (1) meet the requirements of the latest edition of the American Standards for Nursery Stock (ANSI 260.1); (2) be healthy; and (3) be free of disease/insect infestation.

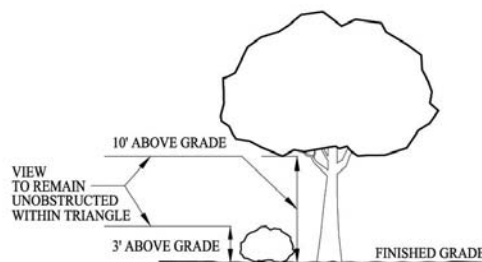
- B. Plant Material Size. Minimum plant size requirements are established to provide *tree* canopies and revegetate a site. Table 5.3 shows plant material size as required by this Chapter.

Table 5.3. Tree and Shrub Requirements			
Tree/Shrub Type		Height at Maturity (ft.)	Minimum Size at Planting
<i>Deciduous</i>	<i>Large Tree</i>	≥ 35	2 inches in <i>caliper</i> ; 12 to 14 ft. in height
	<i>Small Tree</i>	< 35	1 ½ inches in <i>caliper</i> ; 8 to 10 ft. in height
	<i>Shrub</i>	> 4	3 gallon container or 10 inch root ball; 18 inches in height
<i>Evergreen</i>	<i>Tree</i>	> 20	6 ft. in height
	<i>Conical Tree</i>	≥ 15	3 gallon container or 10 inch root ball; 18 inches in height
	<i>Shrub</i>	> 4	3 gallon container or 10 inch root ball; 18 inches in height
	<i>Conical Shrub</i>	≥ 8	3 gallon container or 10 inch root ball; 18 inches in height

- C. Plant Material Placement. Plant material shall be permitted in the *sight visibility triangle* (see Figure 5F) provided the area within the *sight visibility triangle* remain permanently unobstructed between three (3) and ten (10) feet above grade.

Figure 5F. Sight Visibility Triangle Plantings

Not to Scale



§00A-150. Credits for Preserving Existing Trees

Tree groupings and individual *trees* should be preserved. Preserved *trees* will be credited toward any requirement of this Article, and must be indicated on the *site plan* submitted.

- A. Tree Credit Rate. Preserved *trees* must be healthy and free of disease/insect infestation. Protection of *critical root zone* shall be required to ensure good health and condition (improper installation of protective measures will result in losing tree credits). Credits for preserving existing *trees* are indicated in Table 5.4. *Critical root zone* protection requirements are indicated in subsection B below.

Table 5.4. Tree Credits	
Existing Tree Caliper (inches)	Number of Tree Credits Given
2- 6	1
7-12	2
13-18	3
19-24	4
25 or greater	5

B. Critical Root Zone Protection. *Critical root zone* is the area around a tree calculated at a rate of one (1) foot radius for every one (1) inch of tree diameter. Protecting *critical root zone* involves installing tree protective fencing and (in some cases) silt fencing, as detailed below.

(1) Tree Protective Fencing. Tree protective fencing shall be installed (see Figure 5G and Figure 5H) around the *critical root zone* determined for each tree to be preserved.

Figure 5G. Tree Protective Fencing (Plastic)

Not to Scale

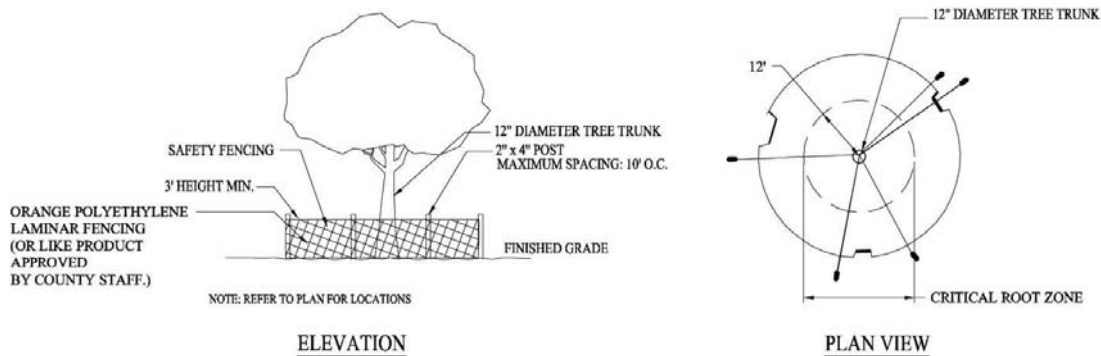
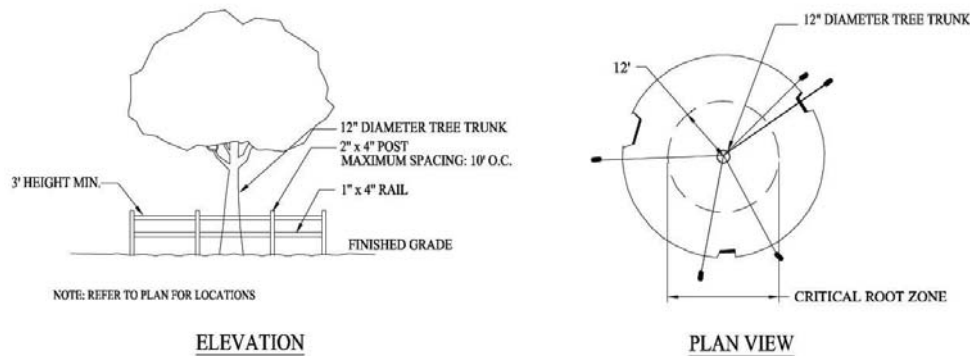


Figure 5H. Tree Protective Fencing (Post and Rail)

Not to Scale



(2) Silt Fencing. Where silt fencing is required for *sedimentation/erosion* control such silt fencing shall be installed as per North Carolina Department of Environment

and Natural Resources (*NCDENR*) regulations. Improper installation of silt fencing and/or lack of fencing (where required) will result in losing tree credits.

- C. Replacement of Credited Trees. If a credited *tree* dies within in one (1) year of the date of issuance of a *zoning permit*, it must be replaced by the current property owner with the number of *trees* for which credit was received. (Example: A *tree* (12 inch *caliper*) credited towards the landscaping requirements dies, so the developer must replace it with two (2) *trees* that meet the installation size requirements as outlined in §200A-149 (Plant Specifications)).

§200A-151. Landscaping Improvement Guarantee

Where plant material is unavailable or during times of drought/inclement weather, the plant material required may be *bonded*. All guarantees shall be accompanied by a written agreement (performance agreement) specifying the terms and the amount of the guarantee. Following receipt of an *improvement guarantees* application, the *Zoning Administrator* shall prepare formal recommendations as to amount and terms of the guarantees for improvements, including time of initiation and completion of the work (and a requirement that temporary or permanent seeding be installed to prevent *sedimentation* and *erosion* problems until required plant material is placed). The time of completion for work shall not exceed six (6) months. The *Zoning Administrator* shall verify that the amount of the guarantee is sufficient to provide adequate funds to the County to ensure, in the case of default, the installation of all required improvements not completed at the time of default. All guarantees shall comply with applicable statutory requirements and shall be satisfactory to the County Attorney as to form, sufficiency and manner of execution. Guarantees employing lending institutions shall be institutions which are licensed to do business in North Carolina.

§200A-152. Alternative Compliance

Site conditions or other reasons may justify the need to request an alternative method of compliance with this Article. The Technical Review Committee may alter the requirements of this Article so long as existing/proposed landscape features of the development comply with the intent of this Article. Requests for alternative compliance shall be accepted where:

- A. Topography, geologic features, drainage channels, streams, existing natural vegetation, overhead utilities, underground utilities, *lot* limitations (size, space or unusual shape), unique relationships to other properties, or other conditions make it unreasonable to meet landscape requirements; or
- B. An alternative compliance plan is equal or superior to normal compliance in its ability to fulfill the intent of this Article.

§200A-153. Reserved

§200A-154. Reserved

§200A-155. Reserved

§200A-156. Reserved

§200A-157. Reserved

Subpart F. Landscaping Recommended Species List

Table 5.5. Recommended¹ Large Deciduous Trees	
Scientific Name	Common Name
Aesculus hippocastanum	Common Horsechestnut
Acer buergerianum	Trident Maple
Acer griseum	Paperbark Maple
Acer palmatum	Japanese Maple
Acer rubrum	Red Maple
Acer saccharum	Sugar Maple
Amelanchier canadensis	Serviceberry
Betula nigra	River Birch
Betula papyrifera	Paper Birch
Carya ovata	Shagbark Hickory
Carya glabra	Pignut Hickory
Carya cordiformis	Hackberry
Cercidiphyllum japonicum	Katsura Tree
Cladastris lutea	Yellowwood
Fagus grandiflora	American Beech
Fraxinus americana	White Ash
Fraxinus pennsylvanica	Green Ash
Gingko biloba	Gingko (male only)
Gymnocladus dioicus	Kentucky Coffeetree
Liquidambar rotundiloba	Fruitless Sweetgum
Liriodendron tulipifera	Tulip Poplar
Maackia amurensis	Amur Maackia
Nyssa sylvatica	Black gum
Oxydendron arborea	Sourwood
Platanus occidentalis	Sycamore
Quercus accustissima	Sawtooth Oak
Quercus alba	White Oak
Quercus bicolor	Swamp White Oak
Quercus coccinea	Scarlet Oak
Quercus falcata	Southern Red Oak
Quercus laurifolia	Laurel Oak
Quercus nigra	Water Oak
Quercus palustris	Pin Oak
Quercus phellos	Willow Oak
Quercus rubra	Red Oak
Quercus shumardi	Shumard Oak
Salix babylonica	Weeping Willow
Taxodium distichum	Bald Cypress
Tilia americana	American Linden
Tilia cordata	Littleleaf Linden
Ulmus alata	Winged Elm
Zelkova serrata	Japanese Zelkova

¹ Species which are not included on the recommended species list may be used, but the applicant must show that the plant materials meet the standards of Article V and are appropriate for the area.

Table 5.6. Recommended¹ Small Deciduous Trees	
Scientific Name	Common Name
Acer campestre	Hedge Maple
Carpinus caroliniana	American Hornbeam
Cercis canadensis	Redbud
Cornus florida	Dogwood
Cornus kousa	Kousa Dogwood
Cornus mas	Corneliancherry Dogwood
Cornus amomum	Silky Dogwood
Chionanthus virginicus	Fringetree
Crataegus phaenopyrum	Washington Hawthorne
Halesia tetraptera	Mountain Silverbell
Hamamelis mollis	Chinese Witchhazel
Hamamelis vernalis	Vernal Witchhazel
Koelreutaria paniculata	Golden Rain-tree
Ostrya virginiana	Ironwood
Prunus serrulata 'Kwanzan'	Kwanzan Cherry
Prunus subhirtella 'Pendula'	Weeping Cherry
Prunus yedoensis	Yoshino Cherry
Prunus caroliniana	Carolina Cherry Laurel
Rhus typhina	Staghorn Sumac
Stewartia koreana	Korean Stewartia
Styrax japonicus	Japanese Snowball

¹ Species which are not included on the recommended species list may be used, but the *applicant* must show that the plant materials meet the standards of Article V and are appropriate for the area.

Table 5.7. Recommended¹ Evergreen Trees	
Scientific Name	Common Name
Chamaecyparis obtuse*	Hinoki Falsecypress
Chamaecyparis pisifera*	Japanese Falsecypress
Cryptomeria japonica*	Japanese Cryptomeria
Cupressocyparis leyandii*	Leyland Cypress
Juniperus Virginiana*	Eastern Red Cedar
Magnolia grandiflora*	Southern Magnolia
Magnolia grandiflora 'Little Gem'*	Little Gem Magnolia
Picea abies*	Norway Spruce
Pinus strobus	White Pine
Pinus echinata	Short-leaf Pine
Pinus taeda	Loblolly Pine
Pinus virginiana	Virginia Pine
Thuja occidentalis*	American Arborvitae
Tsuga Canadensis*	Eastern Hemlock
Tsuga Caroliniana*	Carolina Hemlock

¹ Species which are not included on the recommended species list may be used, but the *applicant* must show that the plant materials meet the standards of Article V and are appropriate for the area.

* Plants that are conical *evergreens*.

Table 5.8. Recommended¹ Deciduous Shrubs	
Scientific Name	Common Name
Abelia grandiflora	Glossy Abelia
Callicarpa americana	American Beautyberry
Calycanthus floridus	Common Sweetshrub
Chaenomeles speciosa	Flowering Quince
Clethra alnifolia	Sweet Pepperbush
Cornus sericea	Redosier Dogwood
Forsythia x intermedia	Border Forsythia
Fothergilla gardenia	Dwarf Fothergilla
Fothergilla major	Fothergilla
Hydrangea species	Hydrangea
Ilex verticillata	Winterberry
Itea virginiana	Virginia Sweetspire
Nandina domestica	Nandina
Rhododendron species	Azaleas
Spirea species	Spireas
Viburnum species	Viburnums

¹ Species which are not included on the recommended species list may be used, but the *applicant* must show that the plant materials meet the standards of Article V and are appropriate for the area.

Table 5.9. Recommended¹ Evergreen Shrubs	
Scientific Name	Common Name
Buxus sempervirens	Common Boxwood
Ilex species	Hollies
Juniperus chinensis pfitzeriana	Pfitzer Juniper
Juniperus chinensis hetzi	Hetzi Juniper
Leucothoe fontanesia	Drooping Leucothoe
Mahonia bealei	Leatherleaf Mahonia
Pieris floribunda	Mountain Pieris
Pieris japonica	Japanese Pieris
Prunus laurocerasus 'Otto Luyken'	Otto Luyken Laurel
Prunus laurocerasus 'Schipkaensis'	Schip Laurel
Prunus laurocerasus 'Zabeliana'	Zabel Laurel
Pyracantha coccinea	Scarlet Firethorn
Rhododendron species	Rhododendrons
Taxus species	Yews
Viburnum x pragense	Prague Viburnum
Viburnum rhytidophyllum	Leatherleaf Viburnum

¹ Species which are not included on the recommended species list may be used, but the *applicant* must show that the plant materials meet the standards of Article V and are appropriate for the area.

Table 5.10. Holly Species that May Be Used for Screening¹	
Scientific Name	Common Name
Ilex x 'Mary Nell'	Mary Nell Holly
Ilex x 'Nellie R. Stevens'	Nellie R. Stevens Holly
Ilex species	Red Holly hybrids
Ilex species	Blue Holly hybrids

¹ Species which are not included on the recommended species list may be used, but the *applicant* must show that the plant materials meet the standards of Article V and are appropriate for the area.

DRAFT

DRAFT

ARTICLE VI
OFF-STREET PARKING AND LOADING STANDARDS

Subpart A. Off-Street Parking and Loading Standards

§200A-158. General

Permanent off-street parking and loading shall be required where the erection, alteration, enlargement, establishment or change in *use* of a *structure* or *outside/outdoor use* of land occurs. Any permit application or *site plan* submitted shall include information as to the location and dimensions of off-street parking and loading, the means of entrance and exit to each parking space, and the basis of determining the number of necessary parking spaces.

§200A-159. Required Number of Spaces for Off-Street Parking

Parking shall be provided and maintained in accordance with the rates indicated below.

Table 6.1 Required Parking	
Use Classification	Number of Parking Spaces Required
Residential	Two (2) spaces per each <i>dwelling unit</i>
Commercial, Industrial, Office, Civic	One (1) space per each 500 square feet of <i>gross floor area</i>
Warehouse	One (1) space per each 4,000 square feet of <i>gross floor area</i>

§200A-160. Design of Parking Areas

- A. Maneuvering Space.
1. Single-Family Dwellings. Off-street parking for *single-family dwellings* which require backing into a residential service *road* shall be permitted provided that such movement can be made with reasonable safety and without interfering with other traffic.
 2. Nonresidential and Multifamily Development. Off-street parking for nonresidential and multifamily development shall not be designed in a manner which would require backing into a *public road*.
- B. Connectivity. Parking facilities shall be designed to connect with parking facilities on adjacent *lots* (where developed after the adoption date of this Chapter), where appropriate and approved by the adjacent property owner, to eliminate the need to use the abutting *road(s)* for cross movements.
- C. Handicapped Space. Handicapped spaces shall be provided as required by the North Carolina State Building Code.
- D. Lighting Standards. *Lighting mitigation* shall be required, as defined by this Chapter.
- E. Landscaping. Parking lot landscaping shall be provided as set forth in Article V.
- F. Parking Island. Flat-curbed parking islands or islands with curb cuts designed for use as bio-retention areas for treating *stormwater runoff* are highly recommended.

- G. Fire Code. *Nonresidential development* and multifamily development parking areas shall comply with applicable fire code provisions as adopted by the State or the County.
- H. Entrances. Parking lot entrances shall be located at the furthest point from intersections as possible when the entrance is not part of an intersection.
- I. Drive-through Stacking Lanes. Access points for drive-through stacking lanes shall be located away from *public roads* and *driveways* so that queued *vehicles* do not block the traffic along *public roads* or the movement of other *vehicles* on site. The entrance and exit from a drive-through lane or designated drive-up parking space(s) shall be internal to the site and not a separate entrance/exit to or from the *road*. The total length of on-site stacking lane(s), taken together, shall be a minimum of 200 feet if site access is provided directly from a *collector, thoroughfare, boulevard, or expressway*; a minimum of 100 feet if site access is provided directly from a *local road*.

§200A-161. Placement of Parking

Parking shall be placed on site with the *principal use* and shall be designated as parking only for that *use* except where remote-parking is requested. Remote parking is permitted if the off-street parking space cannot be reasonably provided on the same *lot* on which the *principal use* is located. Remote off-street parking must be located within 400 feet of the associated *principal use*, and shall not be reduced or encroached upon in any manner.

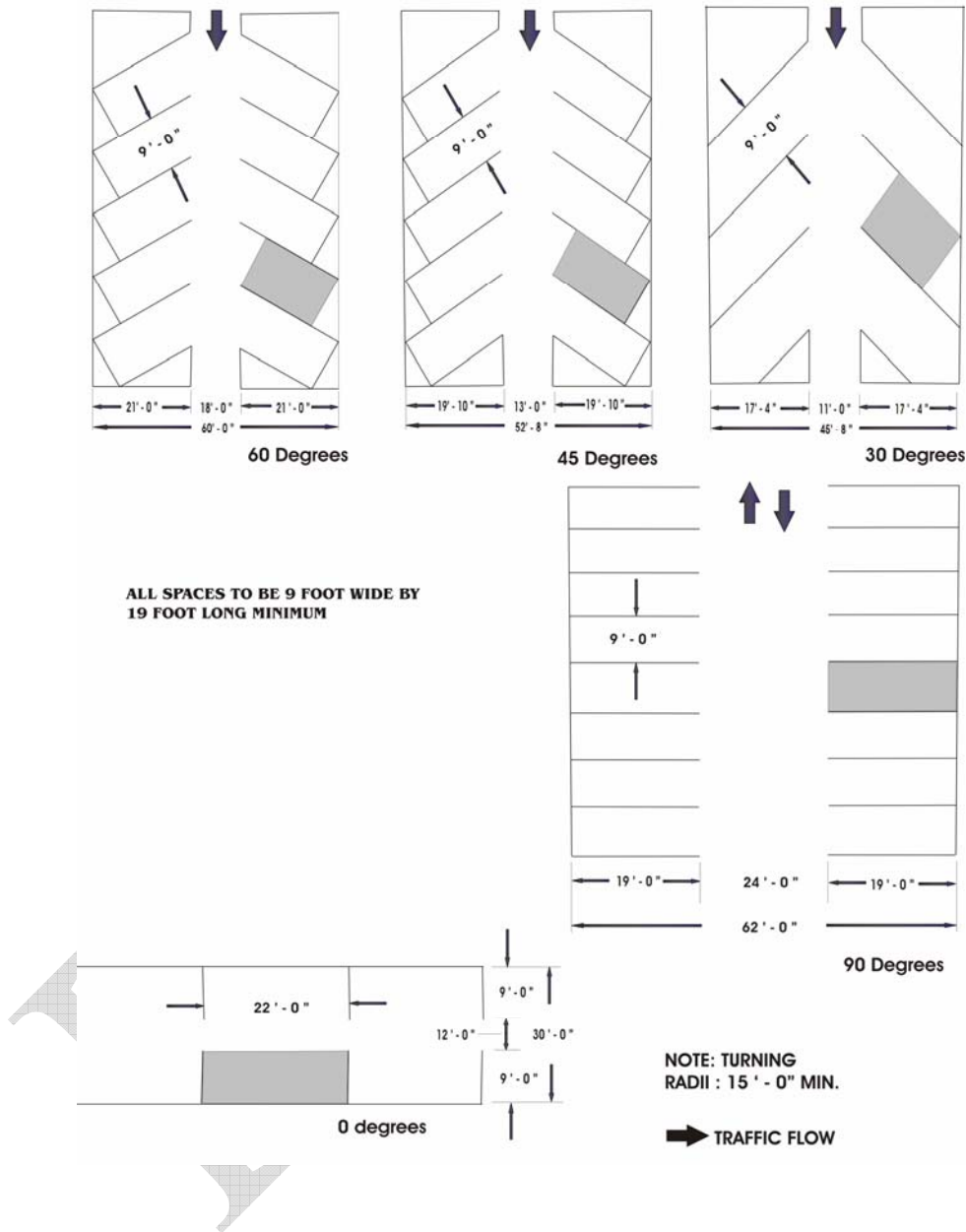
A. Parking Spaces.

- (1) Angled Parking Spaces. The minimum design *vehicle footprint* shall be a rectangle nine (9) feet in width and 19 feet in length unless a designated area for compact cars is provided.
- (2) Parallel Parking Spaces. The minimum design *vehicle footprint* shall be a rectangle nine (9) feet in width and 22 feet in length unless a designated area for compact cars is provided.

The parking space standards are intended for one (1) *vehicle*, exclusive of adequate egress and ingress, drives, maneuvering space and landscaping. Figure 6A illustrates parking space designs.

Figure 6A. Parking Space Design for Angled and Parallel Parking

Not to Scale



§00A-162. Off-Street Loading Required

Every lot on which a commercial, office, civic, or warehouse, or industrial use is hereafter established shall provide and permanently maintain space at the rate indicated (see Table 6.2) for the loading, unloading and maneuvering of delivery vehicles off of roads or public alleyways. Such space shall have access to a public alley, private driveway, or, if such cannot be reasonably provided, a public road.

Table 6.2. Off-Street Loading Spaces Requirements	
<i>Gross Floor Area (sq. ft.)</i>	Number of Spaces
0 – 10,000	0
10,001 – 40,000	1
40,001 – 100,000	2
100,001 – 160,000	3
160,001 – 240,000	4
240,001 – 320,000	5
320,001 – 400,000	6
Each 90,000 above 400,000	1

§200A-163. Design of Off-Street Loading

An off-street loading space (exclusive of adequate access drives and maneuvering space) shall have minimum dimensions of 12 feet by 60 feet and an overhead clearance of 14 feet in height above *alley* or *road* grade.

§200A-164. Reserved

§200A-165. Reserved

§200A-166. Reserved

§200A-167. Reserved

§200A-168. Reserved

ARTICLE VII SIGN REGULATIONS

§200A-169. General

The requirements set forth in this Article shall be complied with in addition to any other general or specific requirements of this Chapter. The regulations of this section shall apply to all *signs* and *sign structures* erected, placed and/or maintained within the County, except as otherwise noted. The standards set forth in this Article are established in order to: (1) allow for the legitimate needs for identification of activities and commerce within the County; (2) improve the aesthetic quality of the County; (3) reduce intrusions on adjacent property; (4) protect property values; and (5) minimize undue distraction to motorists. These requirements in no way relieve a *sign* of having to meet all local, state and federal laws pertaining to the erection of that *sign*.

Subpart A. General Sign Standards

§200A-170. General

The *sign* standards of this subpart provide requirements and standards applicable to all other subparts and sections within this Article.

§200A-171. Prohibited Signs

The following are prohibited *signs*. *Signs*:

- A. Placed in the public *right-of-way* (except as erected for governmental purposes);
- B. Resembling and/or obscuring traffic signals;
- C. Obstructing access to drives, doors, walks, windows, fire escapes or fire escape routes;
- D. Which are animated and/or flashing (as defined by this Chapter);
- E. On the surface of lake/river water (except those navigational and warning signs);
- F. On *vehicles* parked and located for the purposes of displaying such a *sign*, where such *vehicle* is either a part of the *sign* or *sign structure*; and
- G. *Billboards* (an *outdoor advertising sign* 380 square feet in area or greater).

§200A-172. Permit Requirements

A sign permit shall be required for all nonexempt *signs* in accordance with the provisions of this Article (See §200A-316 (Sign Permits)).

§200A-173. Sign Placement

Signs shall be placed a minimum of 15 feet from edge of pavement or from back of curb (as applicable), and shall be located out of the *road right-of-way*. *Signs* are not permitted in a *sight visibility triangle*.

§00A-174. Sign Area Determination

Sign area shall be the product of the maximum vertical distance (from the highest point to the lowest point on the *sign* face) and the maximum horizontal distance (across the *sign* face) (see Article XIV (Definition) for the definition of “*Sign*”). *Sign* area shall be calculated by the *Zoning Administrator* in accordance with Figures 7A and 7B.

Figure 7A. Sign Area Determination

Not to Scale

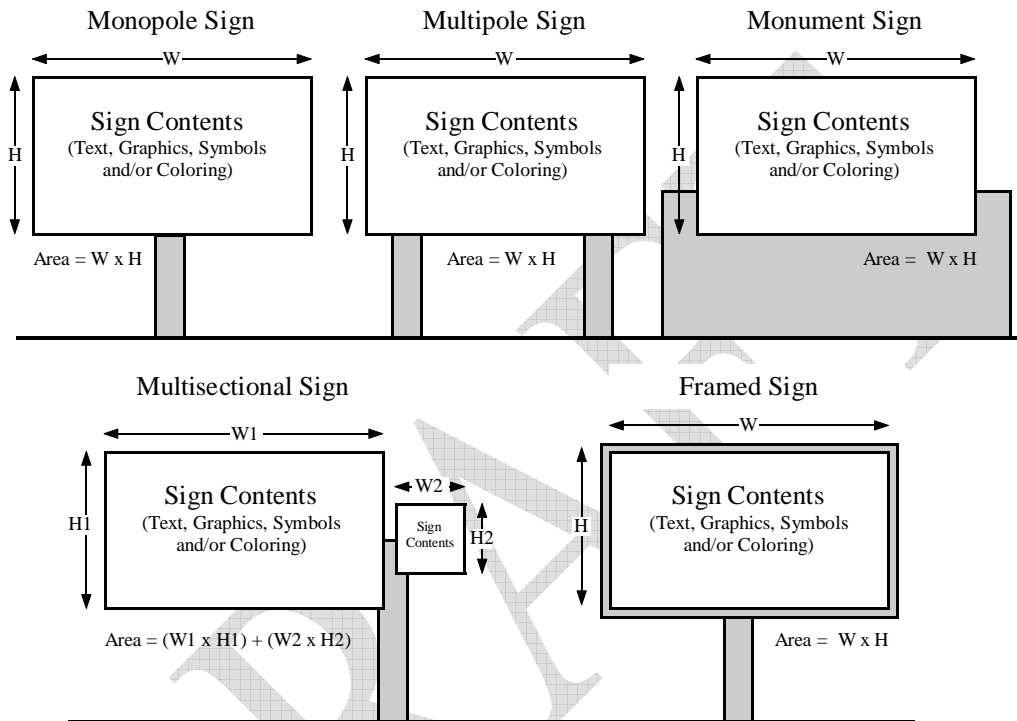
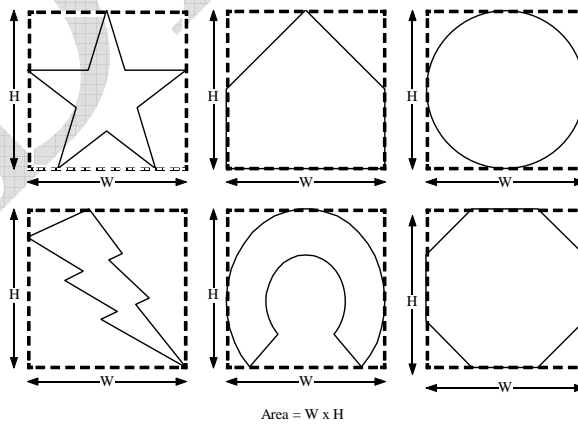


Figure 7B. Sign Area Determination for Nonrectangular Signs

Not to Scale



§200A-175. Lighting Standards

Lighting mitigation shall be required as defined by this Chapter for all *signs*.

§200A-176. Property Address Signs

A *sign* indicating the address of a property shall be provided as required by and in accordance with Chapter 142 of the Henderson County Code, *Property Addressing*.

§200A-177. Reserved**§200A-178. Reserved****§200A-179. Reserved****§200A-180. Reserved****§200A-181. Reserved****Subpart B. Exempt Sign Standards****§200A-182. General**

The *sign* standards of this subpart identify exempt *signs* and provide requirements and standards for exemption.

§200A-183. Exempt Sign Standards

The following *signs* are permitted in all districts and shall not require a *sign* permit as long as in conformance with the applicable standards. All exempt *signs* may have one (1) or two (2) faces (unless otherwise indicated). No exempt *sign* shall be internally illuminated or exceed six (6) foot-candles (measured at ground level at any point within the property, and installed in such a manner that the source of light (the bulb) is shielded and not visible from adjacent roadways).

A. Agricultural Produce Sign.

- (1) Maximum Area. Twenty (20) square feet per face.
- (2) Maximum Height. Ten (10) feet.

B. Commemorative Sign.

- (1) Maximum Area. Eight (8) square feet per face.
- (2) Maximum Height. Eight (8) feet.

C. Construction Sign.

- (1) Maximum Area. Thirty-two (32) square feet (total square footage for all faces).
- (2) Maximum Height. Ten (10) feet.
- (3) Removal. Such *signs* shall be removed upon completion of construction.

D. Directional Sign.

- (1) Maximum Area. Six (6) square feet per face.
- (2) Maximum Height. Three (3) feet.

E. Flags/Insignia.

- (1) Maximum Number Permitted. One (1) corporate flag is permitted per *lot*. Flags or insignia of any nation, state, county, city, organization (religious, civic or fraternal), educational facility or cultural facility are not limited in number.

F. Governmental Sign.

G. Home Occupation Sign.

- (1) Maximum Number Permitted. One (1) freestanding *sign* and one (1) attached *wall sign* at the entrance of the *home occupation* are permitted.
- (2) Maximum Area. Six (6) square feet per face.
- (3) Maximum Height. Three (3) feet.

H. Outdoor Advertising Sign.

- (1) Maximum Area. Ten (10) square feet per face.
- (2) Maximum Height. Five (5) feet.
- (3) Permitted Districts. Permitted in all districts except *residential zoning districts*.

I. Political Sign.

- (1) Removal. Such *signs* shall be removed within the seven (7) day period following of the primary, general or run-off elections or referendum. (Primary election winners or those involved in run-off elections shall be allowed to leave *signs* up between the primary and the general election or until the run-off is held).

J. Property Identification Sign.

- (1) Maximum Number Permitted. One (1) *sign* per *lot frontage*.
- (2) Maximum Area. Six (6) square feet per face.
- (3) Maximum Height. Three (3) feet.

K. Real Estate Sign.

- (1) Maximum Number Permitted. One (1) *sign* per *lot frontage*, on the *lot* for sale.
- (2) Maximum Area. Six (6) square feet (for *lots* of less than five (5) acres) or 32 square feet (for the sale of *subdivision lots* where the original *tract* is greater than five (5) acres).
- (3) Removal. *Signs* placed for the sale of *subdivision lots* shall be removed when 90 percent or more of the *lots* have been sold.

M. Regulatory Sign. (i.e. Warning, Safety, Railroad Signs; regulated by the Manual on Uniform Traffic Control Devices (MUTCD))

N. Religious Institution Sign.

- (1) Maximum Area. Thirty-two (32) square feet per face.
- (2) Maximum Height. Ten (10) feet.

O. Temporary Event Sign.

- (1) Maximum Number Permitted. Three (3) per event.
- (2) Maximum Area. Six (6) square feet per face.
- (3) Maximum Height. Three (3) feet.
- (4) Removal. Such *signs* shall be removed within three (3) days of final event.

P. Temporary Sign.

- (1) Maximum Area. Thirty-two (32) square feet per face (*residential zoning district*); 72 square feet per face (*nonresidential zoning district*).
- (2) Maximum Height. Ten (10) feet (*residential zoning district*); 18 feet (*nonresidential zoning district*).
- (3) Removal. Such *signs* shall be temporary in nature, no longer than 30 days per occurrence and only once per calendar year per *lot of record*.

Q. Vehicle Sale Sign (Private).

- (1) Maximum Number Permitted. One (1) *sign* per *vehicle* and a maximum of two (2) *vehicles* per property, applying only to noncommercial sales.

Subpart C. On-Premise Sign Standards

§200A-184. General

The *sign* standards of this subpart provide requirements for *signs* based on the general *use district* in which they are located. This subpart provides general standards for all *signs* within a general *use district* as well as *sign* specific standards for certain types of *signs* associated with certain *uses* or types of development. The following standards shall be in effect to provide appropriate signage for *uses*, and compliance therewith is required for the erection of a new *sign*.

§200A-185. Residential Zoning Districts

The following *sign* regulations shall apply in *residential zoning districts*.

A. Freestanding Signs. Freestanding *signs* are permitted where intended to identify entrances to a community, *single-tenant development*, or *multi-tenant development* and shall adhere to the following standards.

- (1) Sign Type. *Ground signs* only are permitted.
- (2) Maximum Number by Sign Type.
 - a. Community Identification Sign. One (1) *double-faced* or two (2) single-faced freestanding *signs* is/are permitted per community entrance (but shall be placed at to no more than two (2) entrances).
 - b. Single-Tenant Development Sign. One (1) freestanding *sign* is permitted per *lot*. One (1) additional freestanding *sign* is allowed for corner or *double-fronted lots*.
- (3) Maximum Area. Thirty-two (32) square feet per face.

- (4) Maximum Faces. Two (2) faces per *sign*.
 - (5) Maximum Height. Ten (10) feet.
 - (6) Illumination. Lighting of *signs* shall not exceed six (6) foot-candles, measured at ground level at any point within the property, and shall be installed in such a manner that the source of light (the bulb) is shielded and not visible from adjacent roadways.
- B. Attached Signs. *Attached signs* are permitted where intended to identify nonresidential *uses* within a community, *single-tenant development*, or *multi-tenant development* and shall adhere to the following standards.
- (1) Sign Type. Window, wall, suspended, *awning* and *changeable copy* (as part of a permanent *sign*) *signs* only are permitted.
 - (2) Sign Clearance. Any *attached sign* projecting 12 inches from a wall shall have a minimum nine (9) foot clearance over sidewalks and 14 foot clearance over *roads*, drives and *alleys* (no projection is allowed in any *right-of-way*).
 - (3) Maximum Area. Ten (10) percent of any wall area fronting a *road* and/or *building facade*, up to a maximum of 250 square feet.
 - (4) Illumination. Lighting of *signs* shall not exceed six (6) foot-candles, measured at ground level at any point within the property, and shall be installed in such a manner that the source of light (the bulb) is shielded and not visible from adjacent roadways.
- C. Prohibited Signs. *Portable signs* and *outdoor advertising signs* are prohibited in *residential zoning districts*.

§00A-186. Office, Institutional, and Commercial Districts

The following *sign* regulations shall apply in office institutional, commercial and industrial districts:

- A. Freestanding Signs.
- (1) Sign Type. *Ground signs* only are permitted when the *sign height* is 18 feet or less. *Pole* and *ground signs* are permitted when the *sign height* is greater than 18 feet.
 - (2) Maximum Number by Sign Type.
 - a. Single-Tenant Development Sign. One (1) freestanding *sign* is permitted per lot. One (1) additional freestanding *sign* is allowed for corner or *double-fronted lots*.
 - b. Multi-Tenant Development Sign. One (1) *double-faced* or two (2) single-faced *signs* is/are permitted per development entrance (but shall be placed at to no more than two (2) entrances).
 - c. Office Institutional and Commercial Subdivision Sign. One (1) *double-faced* or two (2) single-faced *signs* is/are permitted per *subdivision* entrance (but shall be placed at to no more than two (2) entrances).

- (3) Maximum Area. Seventy-two (72) square feet per face. Where a *sign* is located within 500 feet of the *right-of-way* line of Interstate 26 the maximum area shall be 200 square feet per face.
- (4) Maximum Faces. Two (2) faces per *sign*.
- (5) Maximum Height. Eighteen (18) feet. Where a *sign* is located within 500 feet of the *right-of-way* line of Interstate 26 the maximum height shall be 75 feet (as measured from the *road* grade of the interstate).

B. Attached Signs.

- (1) Sign Type. All *attached signs* are permitted.
- (2) Sign Clearance. Any *attached sign* projecting 12 inches from a wall shall have a minimum nine (9) foot clearance over sidewalks and 14 foot clearance over *roads*, drives and *alleys* (no projection is allowed in any *right-of-way*).
- (3) Maximum Area. Ten (10) percent of any wall area fronting a *road* and/or *building facade*, up to a maximum of 250 square feet.

§00A-187. Industrial District

The following *sign* regulations shall apply in Industrial Districts.

A. Freestanding Signs.

- (1) Sign Type. All freestanding *signs* are permitted.
- (2) Maximum Number by Sign Type.
 - a. Single-Tenant Development Sign. One (1) freestanding *sign* is permitted per lot. One (1) additional freestanding *sign* is allowed for corner or *double-fronted lots*.
 - b. Multi-Tenant Development Sign. One (1) *double-faced* or two (2) single-faced *signs* is/are permitted per development entrance (but shall be placed at to no more than two (2) entrances).
 - c. Industrial Subdivision Sign. One (1) *double-faced* or two (2) single-faced *signs* is/are permitted per *subdivision* entrance (but shall be placed at to no more than two (2) entrances).
- (3) Maximum Area. Seventy-two (72) square feet per face.
- (4) Maximum Faces. Two (2) faces per *sign*.
- (5) Maximum Height. Eighteen (18) feet. Where a *sign* is located within 500 feet of the *right-of-way* of Interstate 26 the maximum height shall be 75 feet (as measured from the *road* grade of the interstate).

B. Attached Signs.

- (1) Sign Type. All *attached signs* are permitted.
- (2) Sign Clearance. Any *attached sign* projecting 12 inches from a wall shall have a minimum nine (9) foot clearance over sidewalks and 14 foot clearance over *roads*, drives and *alleys* (no projection is allowed in any *right-of-way*).

- (3) Maximum Area. Ten (10) percent of any wall area fronting a *road* and/or *building facade*, up to a maximum of 250 square feet.

Subpart D. Off-Premise Sign Standards

§00A-188. General

The *sign* standards of this subpart identify districts in which *outdoor advertising signs* are permitted and provide requirements and standards therefore. The following standards shall be in effect to provide appropriate outdoor advertising signage (except for those *signs* which are exempt or prohibited by this Article), and compliance therewith is required for the erection of a new *outdoor advertising sign*.

§00A-189. Commercial and Industrial Districts, Urban Service Area

Outdoor advertising signs are permitted only in commercial and industrial districts where they are located in the Urban Service Area as identified by the *Comprehensive Plan*. *Outdoor advertising signs* shall be classified based on size and include: *Outdoor Advertising Signs* Type A, B and C (see Table 7.1).

Table 7.1. Outdoor Advertising Sign Requirements				
<i>Outdoor Advertising Sign</i>	Square Feet Permitted	Maximum Height (ft.) ²	Minimum Setback (ft.) ³	Spacing (linear ft.)
Type A	0 to 72	25	10	1,000
Type B	>72-300	35	20	1,000
Type C	>300-380 ¹	35	20	1,000

1 Signs greater than 380 square feet are considered *billboards* and are not permitted in the County.

2 Maximum height shall be measured from the existing *road* grade to the uppermost point on the *sign structure*.

3 Minimum *setback* shall be measured horizontally from the adjacent edge of *right-of-way* to the nearest edge of the *sign structure*, provided that no part of the *sign* or *sign structure* shall encroach upon a public *right-of-way*. Where property abuts more than one (1) *road*, *signs* shall be set back an equivalent distance from each *road* no less than the minimum *setback* required.

Outdoor advertising signs shall be spaced so that such *outdoor advertising sign* (or its *structure*) is placed no closer to the next *outdoor advertising sign* (or its *structure*) or any existing adjacent residence than the minimum spacing distance required (see Table 7.1). Spacing shall apply to *outdoor advertising signs* located on either side of a *road*. The minimum distance between *signs* or between a *sign* and a residence shall be measured horizontally between the nearest points on either *structure*. If, because of terrain, vegetation or practical difficulties, a point-to-point accurate measurement cannot be obtained, the *Zoning Administrator* may extend any point of measurement to a logical corresponding location and measure from this point. Using the extended measuring method a variation of five (5) percent is acceptable for the purpose of this Article.

The minimum distance between a *sign structure* and a residence shall not be less than 1,000 feet, except:

- A. Where the adjacent residence is a *nonconforming use*;

- B. Where the *sign* was erected after the original effective date of this Article (May 21, 1986, as amended) and predates a residence, the *sign* shall not be nonconforming because of distance from the residence;
- C. Where the *sign* was erected prior to the effective date of this article (May 21, 1986 as amended) and duly registered, the *sign* shall not be nonconforming because of distance from another *sign* or a residence; or
- D. Where the topography obscures the *sign* from sight by the residents of the dwelling.

The spacing requirement may be reduced by up to 25 percent where the topography obscures the sign from sight by the residents of the dwelling.

§200A-190. Reserved

§200A-191. Reserved

§200A-192. Reserved

Subpart E. Sign Maintenance

§200A-193. Sign Maintenance

Maintenance requirements must be observed for all *signs* visible from any *public road* or highway within the jurisdiction of this Chapter. A *sign* in a state of disrepair shall be considered in *violation* of this Chapter. A *sign* shall be in a state of disrepair and require maintenance where the *sign* and its *structure* are:

- A. More than 20 percent covered with disfigured, cracked, ripped or peeling paint or poster paper (or any combination of these conditions);
- B. More than 15 degrees from the perpendicular as a result of bent/broken *sign* facing or supports, and/or loose appendages/struts;
- C. Obscured from the *road/highway* from which it is to be viewed by weeds, vines or other vegetation growing on it; and/or.
- D. To be illuminated, but are only partially illuminated.

§200A-194. Reserved

§200A-195. Reserved

§200A-196. Reserved

DRAFT

ARTICLE VIII NATURAL RESOURCES

This Article reflects and incorporates the Flood Damage Prevention, Water Supply Watershed Protection, Perennial and Intermittent Surface Water Buffers, Protected Mountain Ridges, and Soil Erosion and Sedimentation Control Ordinances previously adopted by the County. The purpose of this Article is to consolidate these existing ordinances into one article of the Land Development Code.

Subpart A. Flood Damage Prevention

§00A-197. Authorization, Findings of Fact, Purpose and Objectives

197.1 Statutory authorization:

The legislature of the State of North Carolina has in Part 6 of Article 21 of Chapter 143; Parts 3 and 4 of Article 18 of Chapter 153A; and Article 6 of Chapter 153A of the North Carolina General Statutes, delegated the responsibility to *local governmental* units to adopt regulations designed to promote the public health, safety, and general welfare of its citizenry. Therefore, the Board of Commissioners of Henderson County, North Carolina does ordain this Flood Damage Prevention Ordinance.

197.2 Findings:

- A. The flood hazard areas of Henderson County are subject to periodic inundation which may result in loss of life, property, health and safety hazards, disruption of commerce and governmental services, extraordinary public expenditures of flood protection and relief, and impairment of the tax base, all of which adversely affect the public health, safety, and general welfare.
- B. These flood losses are caused by the cumulative effect of *obstructions* in *floodplains* causing increases in flood heights and velocities and by the occupancy in *flood prone areas* of *uses* vulnerable to floods or other hazards.

197.3 Objectives: The objectives of this subpart are to:

- A. Protect human life and health;
- B. Minimize expenditure of public money for costly flood control projects;
- C. Minimize the need for rescue and relief efforts associated with flooding and generally undertaken at the expense of the general public;
- D. Minimize prolonged business interruptions and disruptions of family life caused by flooding;
- E. Minimize damage to public facilities and utilities such as water and gas mains, electric, telephone and sewer lines, *roads*, and bridges located in *floodplains*;
- F. Help maintain a stable tax base by providing for the sound use and development of *flood prone areas* in such a manner as to minimize flood blight areas;

- G. Permit and encourage the retention of open land *uses* which will be so located and designed as to constitute a harmonious and appropriate part of the physical development of the community and which will not impede the flow of flood waters;
- H. Prevent victimization by ensuring that potential land, home and business buyers are notified that property is located in an identified flood hazard area; and
- I. Prevent increased flood levels caused by unwise *floodplain* development.

§00A-198. Definitions (see Article XIV (Definitions))

Unless specifically defined (in Article XIV (Definitions)), words or phrases used in this subpart shall be interpreted so as to give them the meaning they have in common usage and to give this subpart its most reasonable application. The specific definitions of Article XIV (Definitions) apply, unless the context clearly indicates otherwise.

§00A-199. General Provisions

199.1 Lands to Which this Subpart Applies:

The provisions of this ordinance shall apply to all *Special Flood Hazard Areas* within (1) the unincorporated areas of Henderson County lying outside the extraterritorial jurisdiction of any municipality, and (2) the incorporated areas and extraterritorial jurisdiction of any municipality specifically requesting its enforcement by Henderson County upon the agreement of the Henderson County Board of Commissioners, both in accordance with the *Flood Hazard Boundary Map* (FHBM) or *Flood Insurance Study* (FIS) and its accompanying flood maps such as the *Flood Insurance Rate Map(s)* (FIRM) and/or the *Flood Boundary Floodway Map(s)* (FBFM), for Henderson County dated March 1, 1982, and subsequent amendments thereto. (In making such a request, the municipality must comply with the requirements of NCGS §160A-360). Unless otherwise provided herein, in no instance shall this subpart apply to any area which is not duly established and identified as a *Special Flood Hazard Area*, either by the methods listed in §199.2 (Basis for Establishing the Special Flood Hazard Areas), or as shown on with the *Flood Hazard Boundary Map* (FHBM) or *Flood Insurance Study* (FIS) and its accompanying flood maps such as the *Flood Insurance Rate Map(s)* (FIRM) and/or the *Flood Boundary Floodway Map(s)* (FBFM), for Henderson County dated March 1, 1982. Said map and all explanatory matter thereon accompanies and is hereby made a part of this Chapter. The Chapter and map shall be on file in the office of Henderson County Code Enforcement Services.

199.2 Basis for Establishing the Special Flood Hazard Areas:

- A. The *Special Flood Hazard Areas* are those identified by the Federal Emergency Management Agency (FEMA) in its *Flood Hazard Boundary Map* (FHBM) or *Flood Insurance Study* (FIS) and its accompanying flood maps such as the *Flood Insurance Rate Map(s)* (FIRM) and/or the *Flood Boundary Floodway Map(s)* (FBFM), for Henderson County dated March 1, 1982, which with accompanying supporting data, and any revision thereto, including Letters of Map Amendment or Revision, are adopted by reference and declared to be a part of this subpart. The current *FIRMs* for Henderson County as published by FEMA in March 1, 1982 are: Community Panels 370125 0001-0015, 0020, 0050, 0075, 0080, 0085, 0090, 0095, 0105, 0125, 0135 and 0150. The *Special Flood Hazard Areas* also include those defined through standard engineering analysis for private developments or by governmental agencies, but which have not yet been incorporated in the *FIRM*. This includes, but is not limited to:

- (1) Detailed flood data generated as a requirement of Sections 200.2(K) and 200.2(L) of this subpart;
- (2) Preliminary *FIRMs* where more stringent than the effective *FIRM*; or
- (3) Post-disaster Flood Recovery Maps

NOTE: If detailed topographic mapping or surveying shows that a building site adjacent to a *Special Flood Hazard Area* is below the *Base Flood Elevation*, it must be regulated as being within the *Special Flood Hazard Area*, even if not shown within the boundaries of the *Special Flood Hazard Area* shown in the *FIRM* or any accompanying maps. For regulatory purposes, flood elevations are the ruling guideline.

- B. Delineation of *Floodway*: For the purposes of delineating the *floodway* and evaluating the possibility of flood damages, the *Floodplain Administrator* may:
- (1) Request technical assistance from the competent federal agencies, including the US Army Corps of Engineers, the Soil Conservation Service, and the US Geological Survey, or successor agencies, and
 - (2) Utilize reports and data supplied by federal and State agencies in delineating *floodways* and evaluating the possibilities of flood damages.

199.3 Establishment of Floodplain Development Permit:

A *Floodplain Development Permit* shall be required in conformance with the provisions of this subpart prior to the commencement of any development activities within *Special Flood Hazard Areas* as determined in Section 199.2.

199.4 Compliance:

No *structure* or land shall hereafter be located, extended, converted, altered, or developed in any way without full compliance with the terms of this subpart and other applicable regulations.

199.5 Abrogation and Greater Restrictions:

- A. This subpart is not intended to repeal, abrogate, or impair any existing *easements*, covenants, or deed restrictions. However, where this subpart and another regulation conflict or overlap, whichever imposes the more stringent restrictions shall prevail.
- B. The following may impose additional regulations for land *uses* and *structures* located in any portion of a *floodplain* and are hereby adopted and incorporated into this subpart by reference as though they were copied herein fully. However, where this subpart and another regulation conflict or overlap, whichever imposes the more stringent restrictions shall prevail.
 - (1) The International Building Code, as adopted by the Building Code Council and enforced by State and local code enforcement officials, and including all volumes.
 - (2) The Southern Building Code Congress International “SBCCI Standard for Floodplain Management” SSTD 4-89,
 - (3) The US Army Corps of Engineers “Flood Proofing Regulations” – EPI 1651-2-314, December 15, 1995.

(4) Federal Emergency Management Agency “Managing Floodplain Development in Approximate Zone A Areas,” April, 1995.

199.6 Other Approval Required:

- A. The granting of a permit under the provisions of this subpart shall in no way affect any other type of approval required by any other statute or ordinance of the State or any political subdivision of the State, or of the United States, but shall be construed as an added requirement.
- B. No permit for the construction of any *structure* to be located within a *floodplain* shall be granted unless the *applicant* has first obtained the permit required by this subpart.

199.7 Interpretation:

In the interpretation and application of this subpart, all provisions shall be:

- A. Considered as minimum requirements;
- B. Liberally construed in favor of the governing body; and
- C. Deemed neither to limit nor repeal any other powers granted under State statutes.

199.8 Warning and Disclaimer of Liability:

The degree of flood protection required by this subpart is considered reasonable for regulatory purposes and is based on scientific and engineering consideration. Larger floods can and will occur on rare occasions. Actual flood heights may be increased by man-made or natural causes. This subpart does not imply that land outside the *Special Flood Hazard Areas* or *uses* permitted within such areas will be free from flooding or flood damages. This subpart shall not create liability on the part of Henderson County or by any officer or employee thereof for any flood damages that result from reliance on this subpart or any administrative decision lawfully made hereunder.

199.9 Penalties for Violation:

Any *person* violating any provision of this subpart shall be subject to the penalties set forth in Chapter 1, General Provisions, Article II of the Henderson County Code.

§00A-200. Administration

200.1 Designation of Floodplain Administrator:

The *Floodplain Administrator*, hereinafter referred to as the “*Floodplain Administrator*,” is hereby appointed to administer and implement the provisions of this subpart.

200.2 Floodplain Development Permit Application Requirements:

- A. Plans and Application Requirements. A Floodplain Development Permit shall be required for any new development in a *SFHA*, except for *watercourse* alteration and streambank restoration where the same is permitted by the United States Corps of Engineers and, if applicable, the State of North Carolina. For *watercourse* alteration and streambank restoration where a proper and appropriate permit from the United States Corps of Engineers and, if applicable, the State of North Carolina, has been granted, no further permit from Henderson County is required. Application for a Floodplain Development Permit shall be made to the *Floodplain Administrator* on forms furnished by him or her

prior to any development activities proposed to be located within *Special Flood Hazard Areas*. The following items/information shall be presented to the *Floodplain Administrator* to apply for a Floodplain Development Permit.

- (1) A plot plan drawn to scale which shall include, but shall not be limited to, the following specific details of the proposed *floodplain* development:
 - i The nature, location, dimensions, and elevations of the area of development/disturbance; existing and proposed *structures*, the location of utility systems, proposed grading/pavement areas, fill materials, storage areas, drainage facilities, and other proposed development;
 - ii The boundary of the *Special Flood Hazard Area* as delineated on the *FIRM* or other flood map as determined in Section 199.2, or a statement that the entire *lot* is within the *Special Flood Hazard Area*;
 - iii *Flood zone(s)* designation of the proposed development area as determined on the *FIRM* or other flood map as determined in Section 199.2;
 - iv The boundary of the *floodway fringe* area, if any, as set out in the *FBFM*;
 - v The boundary of the *floodway(s)* or *non-encroachment area(s)* as determined in Section 112.2;
 - vi The *Base Flood Elevation (BFE)*, where provided, as set forth in Sections 199.2, 200.2(K), 200.2(L), 201.4 and/or 201.5;
 - vii Certification of the plot plan by or under the direct supervision of a professional land surveyor or registered professional engineer and certified by same.
- (2) Proposed elevation, and method thereof, of all development within a *Special Flood Hazard Area* including but not limited to:
 - i Elevation in relation to *mean sea level* of the proposed reference level (including *basement*) of all *structures*;
 - ii Elevation in relation to *mean sea level* to which any nonresidential *structure* will be floodproofed; and,
 - iii Elevation in relation to *mean sea level* to which any proposed utility systems will be elevated or floodproofed;
- (3) If *floodproofing*, a *Floodproofing Certificate (FEMA Form 81-65)* and back-up plans from a registered professional engineer or architect certifying that the nonresidential flood-proofed development will meet the flood-proofing criteria in this subpart.
- (4) A Foundation Plan drawn to scale which shall include details of the proposed foundation system to ensure all provisions of this subpart are met. These details include but are not limited to:

- i Proposed method of elevation, if applicable (i.e., fill, solid foundation perimeter wall, solid backfilled foundation, open foundation on columns/piers); and,
 - ii Details of sufficient openings to facilitate the unimpeded movements of floodwaters should solid foundation perimeter walls be used in *floodplains*, in accordance with this subpart;
 - (5) Usage details of any enclosed space below the *regulatory flood protection elevation*.
 - (6) Plans and/or details for the protection of public utilities and facilities such as sewer, gas, electrical, and water systems to be located and constructed to minimize flood damage;
 - (7) Copies of all other Local, State and Federal permits required prior to *Floodplain Development Permit* issuance (e.g. *Wetlands, Erosion and Sedimentation Control, Riparian Buffers, Mining, etc.*)
 - (8) Documentation for placement of *temporary structures* to ensure Section 201.2(F) of this ordinance are met.
 - (9) Where the *base flood elevation* data is not provided, the application for a development permit must show construction of the lowest *floor* at least two (2) feet above the *highest adjacent grade*.
 - (10) A Floodplain Development Permit shall be construed as permission to proceed with work and not as authority to violate, cancel, alter, or set aside any of the provisions of this subpart or any regulations included by reference. Issuance of a permit shall not prevent the *Floodplain Administrator* or Inspection Department personnel from thereafter requiring correction of errors in plans or construction, or *violations* of this subpart.
- B. The Floodplain Development Permit shall include, but not be limited to:
- (1) A description of the development to be permitted under the Floodplain Development Permit issuance.
 - (2) The *Special Flood Hazard Area* determination for the proposed development per available data specified in Section 199.2.
 - (3) The *regulatory flood protection elevation* required for the *reference level* and all attendant utilities.
 - (4) The *regulatory flood protection elevation* required for the protection of all public utilities.
 - (5) All certification submittal requirements with timelines.
 - (6) A statement that no fill materials shall encroach into the *floodway, non-encroachment area*, or the *floodway fringe* of any *watercourse*, if applicable, except as permitted in Section 201.1, or pursuant to a *Special Fill Permit* issued pursuant to Section 200.6 hereof.

- (7) If in a *floodway*, *non-encroachment area*, or *floodway fringe*, a specification of the location of the minimum foundation opening requirements.
- (8) A statement of limitations of below *BFE* enclosure *uses* (if applicable), including but not limited to parking, *building* access and limited storage only.

C. Certification Requirements:

(1) Elevation Certificates:

- i An Elevation Certificate (*FEMA* Form 81-31) is required prior to the actual start of any new construction. It shall be the duty of the permit holder to submit to the *Floodplain Administrator* a certification of the elevation of the *reference level*, in relation to *mean sea level* or *highest adjacent grade*. Elevation certification shall be prepared by, or under the direct supervision of, a professional land surveyor or professional engineer and certified by same. The *Floodplain Administrator* shall review the certificate data submitted. Deficiencies detected by such review shall be corrected by the permit holder prior to the beginning of construction. Failure to submit the certification or failure to make required corrections shall be cause to deny a Floodplain Development Permit.
- ii An Elevation Certificate *FEMA* (Form 81-31) or *Floodproofing* Certificate (*FEMA* Form 81-65) is required after the *reference level* is established. Within seven (7) calendar days of establishment of the *reference level* elevation, it shall be the duty of the permit holder to submit to the *Floodplain Administrator* a certification of the elevation of the *reference level*, in relation to *mean sea level* or *highest adjacent grade*. Elevation certification shall be prepared by or under the direct supervision of, a professional land surveyor or professional engineer and certified by same. When *floodproofing* is utilized, said certification shall be prepared by or under the direct supervision of a professional engineer or architect and certified by same. Any work done within the seven (7) day calendar period and prior to submission of the certification shall be at the permit holder's risk. The *Floodplain Administrator* shall review the certificate data submitted. Deficiencies detected by such review shall be corrected by the permit holder immediately and prior to further work being permitted to proceed. Failure to submit the certification or failure to make required corrections shall be cause to issue a *stop-work order* for the project.
- iii A Final As-Built Elevation Certificate (*FEMA* Form 81-31) is required after construction is completed and prior to *Floodplain Development Certificate of Compliance/Occupancy* issuance. It shall be the duty of the permit holder to submit to the *Floodplain Administrator* a certification of final as-built construction of the elevation or floodproofed elevation of the *reference level* and all attendant utilities. Said elevation certification shall be prepared by, or under the direct supervision of, a registered land surveyor or professional engineer and certified by same. The *Floodplain Administrator* shall review the certificate data submitted. Deficiencies detected by such review shall be corrected by the permit holder

immediately and prior to *Floodplain Development Certificate of Compliance/Occupancy* issuance. In some instances, another certification may be required to certify corrected as-built construction. Failure to submit the certification or failure to make said corrections required shall be cause to withhold the issuance of a *Floodplain Development Certificate of Compliance/Occupancy*.

- (2) If nonresidential *floodproofing* is used to meet the *regulatory flood protection elevation* requirements, a Floodproofing Certificate (*FEMA Form 81-65*) is required prior to the actual start of any new construction. It shall be the duty of the permit holder to submit to the *Floodplain Administrator* a certification of the floodproofed design elevation of the *reference level* and all attendant utilities, in relation to *mean sea level*. Said *floodproofing* certification shall be prepared by or under the direct supervision of a professional engineer or architect and certified by same. The *Floodplain Administrator* shall review the certificate data submitted. Deficiencies detected by such review shall be corrected by the permit holder prior to the beginning of construction. Failure to submit the certification or failure to make required corrections shall be cause to deny a *Floodplain Development Permit*. Failure to construct in accordance with the certified design shall be cause to withhold the issuance of a *Floodplain Development Certificate of Compliance/Occupancy*.
- (3) If a *manufactured/mobile home* is placed within a *floodway*, *non-encroachment area*, or *Floodway fringe* and the elevation of the chassis is above 36 inches in height, an engineered foundation certification is required per Section 201.2(B).
- (4) Certification Exemptions. The following *structures*, if located within a *floodway*, *non-encroachment area*, or *Floodway fringe*, are exempt from the elevation/*floodproofing* certification requirements specified in item (C) above:
 - i *Temporary structures* meeting requirements of Section 201.2 (F); and
 - ii *Accessory structures* less than 150 square feet meeting requirements of Section 201.2(G).

200.3 Duties and Responsibilities of the Floodplain Administrator:

Duties of the *Floodplain Administrator* shall include, but not be limited to performing the following:

- A. Review all *floodplain* development applications and issue permits for all proposed development within *flood prone areas* to assure that the requirements of this subpart have been satisfied.
- B. Any permittee that additional Federal or State permits (i.e., *Wetlands*, *Erosion* and *Sedimentation Control*, *Riparian Buffers*, *Mining*, etc.) may be required, and if specific Federal or State permits are known, require that copies of such permits be provided and maintained on file with the *Floodplain Development Permit*.
- C. Notify adjacent communities and the North Carolina Department of Crime Control and Public Safety, Division of Emergency Management, State Coordinator for the National

Flood Insurance Program prior to any alteration or relocation of a *watercourse*, and submit evidence of such notification to *FEMA*.

- D. Assure that maintenance is provided within the altered or relocated portion of said *watercourse* so that the flood-carrying capacity is not diminished.
- E. Prevent *encroachments* within *floodways* and *non-encroachment areas* unless the certification and flood hazard reduction provisions of Section 201.1A are met.
- F. Obtain actual elevation (in relation to *mean sea level*) of the *reference level* (including *basement*) and all attendant utilities of all new or substantially improved *structures*, in accordance with this subpart.
- G. Obtain the actual elevation (in relation to *mean sea level*) to which the new or substantially improved *structures* and all utilities have been floodproofed, in accordance with this subpart.
- H. Obtain actual elevation (in relation to *mean sea level*) of all new public utilities, in accordance with this subpart.
- I. Obtain certifications from a registered professional engineer or architect in accordance with this subpart, when *floodproofing* is utilized for a particular *structure*.
- J. Interpret, as needed, the exact location of boundaries of the *Special Flood Hazard Areas* (for example, where there appears to be a conflict between a mapped boundary and actual field conditions. The *person* contesting the location of the boundary shall be given a reasonable opportunity to *appeal* the interpretation as provided in this subpart.
- K. Obtain, review, and reasonably utilize any *Base Flood Elevation (BFE)* data, along with *floodway* data and/or *non-encroachment area* data available from a Federal, State, or other source, including data developed pursuant to this subpart, when *BFE* data has not been provided in accordance with Section 199.2, in order to administer the provisions of this ordinance.
- L. Obtain, review and reasonably utilize any *floodway* data, and/or *non-encroachment area* data available from a Federal, State, or other source, when *BFE* data is provided but no *floodway* nor *non-encroachment area* data has been provided, in accordance with Section 199.2 in order to administer the provisions of this subpart.
- M. Maintain, in the Floodplain Development Permit file, a copy of all Letters of Map Amendment (LOMAs) issued from *FEMA*.
- N. Maintain, permanently, all records that pertain to the administration of this subpart and make these records available for public inspection.
- O. Make on-site inspections of work in progress, or of any location for which a permit under this subpart has been either been applied or granted. As the work pursuant to a Floodplain Development Permit progresses, the *Floodplain Administrator* shall make as many inspections of the work as may be necessary in order to attempt to ensure that the work is being done according to the provisions of this subpart and the terms of the permit. In exercising this power, the *Floodplain Administrator* has a right, upon presentation of proper credentials, to enter on any premises within the jurisdiction of Henderson County at any reasonable hour for the purposes of inspection or other enforcement action.

- P. Issue certificates of compliance for permitted projects once as-built certifications have been received and approved and once final inspections have been completed.
- Q. Issue *stop-work orders* as required. Whenever a *building* or part thereof is being constructed, reconstructed, altered, or repaired in *violation* of this subpart, the *Floodplain Administrator* may order the work to be immediately stopped. The *stop-work order* shall be in writing and directed to the *person* doing the work. The *stop-work order* shall state the specific work to be stopped, the specific reason(s) for the stoppage, and the condition(s) under which the work may be resumed.
- R. Revoke Floodplain Development Permits as required. The *Floodplain Administrator* may revoke and require the return of the Floodplain Development Permit by notifying the permit holder in writing stating the reason(s) for the revocation. Permits shall be revoked for any substantial departure from the approved application, plans, or specifications; for refusal or failure to comply with the requirements of State or local laws; or for false statements or misrepresentations made in securing the permit. Any Floodplain Development Permit mistakenly issued in *violation* of an applicable State or local law may also be revoked.
- S. Investigate and inspect, as reasonably deemed necessary to carry out the duties as prescribed in this subpart, and for this purpose and in compliance with applicable law to enter at reasonable times upon any property, public or private, within the jurisdiction of Henderson County, the sites of any complaints or alleged *violations* of this subpart.
- T. Require written statements, certificates and certifications or the filing of reports under oath, with respect to pertinent questions relating to complaints or alleged *violations* of this Ordinance.
- U. Follow through with corrective procedures of Section 200.5.
- V. Maintain a current map repository to include, but not limited to, the FIS Report, *FIRM* and/or other official flood maps/studies adopted under this subpart, including any revisions thereto including LOMA, issued by State and/or *FEMA*. Notify State and *FEMA* of mapping needs.
- W. Consider the effects of a proposed artificial *obstruction* in a *floodplain* in creating danger to life and property, prior to the issuance of any permit:
- (1) By water which may be backed up or diverted by such *obstruction*;
 - (2) By the danger that the *obstruction* will be swept downstream to the injury of others; and
 - (3) By the injury or damage to the site of the *obstruction* itself.

For this purpose, the *Floodplain Administrator* may take into account anticipated development in the foreseeable future which may be adversely affected by the *obstruction*, as well as *existing development*.

200.4 Fees:

The Board of Commissioners shall establish a Schedule of Fees, charges and expenses, and a collection procedure, for permits, plan review, inspections, *variances*, *appeals* and other matters pertaining to this subpart. No application for a permit, certificate, or *variance*, shall be processed

unless or until such fees, as established, and all estimated expenses have been paid in full, nor shall any action be taken on *appeals* before the Henderson County Flood Damage Prevention Board unless and until any fees and estimated expenses have been paid in full.

200.5 Corrective Procedures:

- A. When the *Floodplain Administrator* finds *violations* of applicable State and local laws, it shall be his or her duty to notify the owner or occupant of the *building* of the *violation*. The owner or occupant shall immediately remedy each of the *violations* of law pertaining to their property.
- B. If the owner of a *building* or property shall fail to take prompt corrective action, the *Floodplain Administrator* shall give the owner written notice, by certified or registered mail to the owner's last known address or by personal service, stating:
 - (1) That the *building* or property is in *violation* of the Flood Damage Prevention subpart of this Chapter;
 - (2) That an informal hearing will be held before the *Floodplain Administrator* at a designated place and time, not later than ten (10) days after the date of the notice, at which time the owner shall be entitled to be heard in *person* or by counsel and to present arguments and evidence pertaining to the matter; and,
 - (3) That following the hearing, the *Floodplain Administrator* may issue such order to alter, vacate, or demolish the *building*; or to remove fill as appears appropriate.
- C. If, upon a hearing held pursuant to the notice prescribed above, the *Floodplain Administrator* shall find that the *building* or development is in *violation* of the Flood Damage Prevention subpart of this Chapter, he or she shall make an order in writing to the owner, requiring the owner to remedy the *violation* within a specified time period, not less than 60 days. Where the *Floodplain Administrator* finds that there is imminent danger to life or other property, s/he may order that corrective action be taken in such lesser period as may be feasible.
- D. Any owner who has received an order to take corrective action may *appeal* the order to the Henderson County Flood Damage Prevention Board by giving notice of *appeal* in writing to the *Floodplain Administrator* within ten (10) days following issuance of the final order. In the absence of an *appeal*, the order of the *Floodplain Administrator* shall be final. The Henderson County Flood Damage Prevention Board shall hear an *appeal* within a reasonable time and may affirm, modify and affirm, or revoke the order.
- E. If the owner of a *building* or property fails to comply with an order to take corrective action from which no *appeal* has been made, or fails to comply with an order of the Board of Commissioners following an *appeal*, he shall be guilty of a misdemeanor and shall be punished at the discretion a court of competent jurisdiction.

200.6 Variance and Appeal Procedures:

- A. The Zoning Board of Adjustment as established by Henderson County, shall be hereinafter referred to as the Henderson County Flood Damage Prevention Board, and shall hear and decide requests for *variances* from the requirements of this subpart, and *appeals* of the *Floodplain Administrator's* decisions.

- B. Any *person* aggrieved by the decision of the board may *appeal* such decision to a court of competent jurisdiction, as provided in Chapter 7A of the North Carolina General Statutes.
- C. *Variances* may be issued for:
- (1) The repair or rehabilitation of historic *structures* upon the determination that the proposed repair or rehabilitation will not preclude the *structure's* continued designation as an historic *structure* and the *variance* is the minimum necessary to preserve the historic character and design of the *structure*;
 - (2) Functionally dependent facilities if determined to meet the definition as stated in Article XIV of this ordinance; or
 - (3) Any other type of development, provided it meets the requirements stated in this section,
 - (4) But not for *special fill permits*, pursuant to Section 200.7 herein.
- D. In determining whether to grant or deny *variiances*, the board shall consider all technical evaluations, all relevant factors, all standards specified in other sections of this subpart, and:
- (1) The danger that materials may be swept onto other lands to the injury of others;
 - (2) The danger to life and property due to flooding or *erosion* damage;
 - (3) The susceptibility of the proposed facility and its contents to flood damage and the effect of such damage on the individual owner;
 - (4) The importance of the services provided by the proposed facility to the community, including the retention of land for *agriculture*;
 - (5) The necessity to the facility of a waterfront location, where applicable;
 - (6) The availability of alternative locations, not subject to flooding or *erosion* damage, for the proposed *use*;
 - (7) The compatibility of the proposed *use* with existing and anticipated development;
 - (8) The relationship of the proposed *use* to the *Comprehensive Plan* and *floodplain management* program for that area;
 - (9) The safety of access to the property in times of flood for ordinary and emergency *vehicles*;
 - (10) The expected heights, velocity, duration, rate of rise, and *sediment* transport of the flood waters and the effects of wave action, if applicable, expected at the site; and
 - (11) The costs of providing governmental services during and after flood conditions including maintenance and repair of public utilities and facilities such as sewer, gas, electrical and water systems, and *roads* and bridges.
- E. A written report addressing each of the above factors shall be submitted by the *applicant* with the application for a *variance*.

- F. Upon consideration of the factors listed above and the purposes of this subpart, the board may attach such conditions to the granting of *variances* as it deems necessary to further the purposes of this subpart.
- G. Other considerations to be considered by the board in determining to grant or deny a *variance*:
- (1) *Variances* shall not be issued within any designated *floodway* or *non-encroachment area* if any increase in flood levels during the *base flood* discharge would result.
 - (2) *Variances* shall not be issued when the *variance* will make the *structure* in violation of other Federal, State, or local laws, regulations, or ordinances.
 - (3) *Variances* shall only be issued upon a determination that the *variance* is the minimum necessary, considering the flood hazard, to afford relief.
 - (4) *Variances* shall only be issued upon:
 - i A showing of good and sufficient cause;
 - ii A determination that failure to grant the *variance* would result in exceptional hardship; and
 - iii A determination that the granting of a *variance* will not result in increased flood heights, additional threats to *public safety*, or extraordinary public expense, create nuisance, cause fraud on or victimization of the public, or conflict with existing local laws or ordinances.
- H. Any *applicant* to whom a *variance* is granted shall be given written notice specifying the difference between the *Base Flood Elevation (BFE)* and the elevation to which the *structure* is to be built and a written statement that the cost of *flood insurance* will be commensurate with the increased risk resulting from the reduced *reference level* elevation. Such notification shall be maintained with a record of all *variance* actions.
- I. The *Floodplain Administrator* shall maintain the records of all *appeal* actions and report any *variances* to *FEMA* and the State of North Carolina upon request.

200.7 Special Fill Permit Procedures:

- A. The Board of County Commissioners shall have the power to grant, in particular cases meeting specific community need and subject to appropriate conditions and safeguards, permits for special fill in the *floodway fringe*.
- B. Application:
- (1) The application for the permit shall be on a form provided by the Henderson County Code Enforcement Services Department, and shall be submitted prior to any fill activity requiring a *special fill permit*.
 - (2) The application shall include the following:
 - i Certification, on a form as published by *FEMA*, or acceptable alternative form approved by *FEMA*, of hydrological and hydraulic analyses, performed in accordance with standard engineering practice, that the

proposed *encroachment* would not result in any increase in the flood levels during the occurrence of the *base flood*; or

- ii Technical documentation in the form of hydraulic analysis of the existing and proposed conditions. This documentation shall be either: complete runs of existing and proposed conditions using the HEC II/HEC-RAS step backwater analysis computer program as prepared by the US Army Corp. of Engineers for the analysis of flow plan hydraulics; or
 - iii An alternative method currently approved by *FEMA* for *use* in the revision process for *FEMA* flood maps. In this case, the engineer shall provide a letter from *FEMA* indicating that the method used is acceptable; and,
 - iv Any other technical documentation in the form of detailed site and construction plans, showing that all requirements of this subpart are met.
- (3) The application shall also include certification of hydrological and hydraulic analyses, performed in accordance with standard engineering practice, demonstrating that the permit, if granted, will result in no net decrease in flood storage capacity on the parcel upon which the fill is proposed.
- (4) The application shall include information demonstrating compliance with the *Comprehensive Plan*, and demonstrating the substantial public or community purpose(s) which the permit, if granted, will advance. Examples of substantial public or community purpose(s) advanced by the permit, if granted, which must be demonstrated include:
- i Advancing a governmental purpose, which includes promoting and preserving *use* of land for *agriculture*.
 - ii Meeting public *infrastructure* needs.
 - iii Projects which fall under the Board of Commissioners' Economic Incentives Guidelines.
 - iv Redevelopment projects which have the effect of substantially increasing the flood-control capabilities of the parcel.
- (5) A complete listing of the names and mailing addresses of all owners of real property adjacent to the parcel upon which the *special fill permit* is proposed.

C. Procedure

- (1) Applications shall be made to the *Floodplain Administrator*, and shall be accompanied by any fee therefore as set by the Board of Commissioners and all estimated costs to the County as determined by the Zoning Department staff. Zoning Department staff shall review the application for compliance with this subpart and transmit the application to Federal, State and local agencies for review and comment. Zoning Department staff shall place the application on the agenda of the first regular Planning Board meeting after at least 30 days from the receipt of a complete application.
- (2) Neither the review by the Planning Board nor the hearing before the Flood Damage Prevention Board shall be quasi-judicial in nature.

- (3) The Board of County Commissioners may establish and maintain a fee schedule for *special fill permit* applications. Such fee, plus the estimated cost of all notices to be given for hearings for a *special fill permit* application, shall be paid by the *applicant* before a *special fill permit* application is processed.
 - (4) Review and recommendation by the Henderson County Planning Board.
 - i Notice of the review by the Planning Board, including notification of adjoining property owners, shall be substantially identical in type and scope as that provided for *special uses* under Chapter 102 of the Henderson County Code, or any successor land development ordinance.
 - ii At such review, the Planning Board shall hear a summary and review of the application by Zoning Department staff, evidence as presented by the *applicant*, and such other evidence as the Planning Board may find useful.
 - iii The Planning Board shall, within 60 days of the date the application is first considered by the Planning Board, issue its recommendation to the Board of Commissioners as to the grant or denial of the application.
 - (5) Public hearing by the Flood Damage Prevention Board.
 - i Notice of the public hearing before the Flood Damage Prevention Board, including notification of adjoining property owners, shall be identical to that provided for *special uses* under Chapter 102 of the Henderson County Code, or any successor land development ordinance.
 - ii The Flood Damage Prevention Board shall consider a summary of the proposed project from the Zoning Department staff, evidence in support of the project and concerning the issues upon which proof must be submitted under this subpart from the *applicant*, evidence from adjacent property owners, and such other evidence as the Flood Damage Prevention Board finds useful.
 - iii At the conclusion of the public hearing, the Flood Damage Prevention Board shall issue its decision within the time limits established in Rule 47 of the Board of Commissioners' Rules of Procedure.
- D. Standards for grant or denial of application. In order to grant a *special fill permit*, the Flood Damage Prevention Board must conclude:
- (1) That the proposed *encroachment* would not result in any increase in the flood levels during the occurrence of the *base flood*; and,
 - (2) That the permit, if granted will result in no net decrease in flood storage capacity on the parcel upon which the fill is proposed; and,
 - (3) That the proposed *encroachment* will not violate any other Federal, State or Henderson County laws, rules, ordinances, or regulations; and,
 - (4) That the permit, if granted, will comply with the *Comprehensive Plan*, and that, if granted, it will advance a public or community purpose, and that such purpose is sufficiently substantial to justify issuance of the permit.

- E. Any grant of a *special fill permit* by the Flood Damage Prevention Board may include conditions, which must be satisfied by the *applicant*. These conditions must be based on evidence presented at the hearing, and must be related to increasing the flood-control capabilities of the parcel for which the fill permit is sought.

§200A-201. Flood Hazard Reduction

201.1 General Standards:

In all *Special Flood Hazard Areas* the following provisions are required.

- A. No *encroachment*, construction or fill shall be permitted in the *floodway* or *non-encroachment area* within the *Special Flood Hazard Areas*, except *water dependent structures*, excluding *enclosed buildings*, new water and sewer lines provided no viable alternative exists, recreational *uses* (excluding *enclosed buildings*) and streambank restoration projects, provided the requirements of Section 201.2 are met. Notwithstanding, no *encroachment*, construction or fill shall be permitted in the *floodway* or *non-encroachment area* within the *Special Flood Hazard Areas* without the parcel owner first having obtained and submitted to the *Floodplain Administrator* an acceptable certification by a registered professional engineer proving that the anticipated *encroachment(s)* shall not result in any increase in the elevation of the regulatory flood during an occurrence of the *base flood*. The *Floodplain Administrator* shall require documentation of the certification which shall include either:
- (1) A completed “engineering no-rise” certification form as published by *FEMA*, or acceptable alternative form approved by *FEMA*;
 - (2) Technical documentation in the form of detailed site and construction plans, showing that all requirements of this subpart are met;
 - (3) Technical documentation in the form of hydraulic analysis of the existing and proposed conditions. This documentation shall be either: complete runs of existing and proposed conditions using the HEC II/HEC-RAS step backwater analysis computer program as prepared by the US Army Corp. of Engineers for the analysis of flow plan hydraulics; or
 - (4) An alternative method currently approved by *FEMA* for *use* in the revision process for *FEMA* flood maps. In this case, the engineer shall provide a letter from *FEMA* indicating that the method used is acceptable.
- B. In the *floodway fringe* area as indicated on the *FBFM*, no fill whatsoever shall be allowed except on parcels of land, the boundaries of which are of record in the Henderson County Registry as of the original date of adoption of these regulations (July 5, 2005) , and then only upon no more than 20% of the total of the *floodway fringe* area contained in each such parcel, except that additional fill may be permitted in the *floodway fringe* pursuant to a *special fill permit* granted pursuant to Section 200.7 of this subpart.
- C. All new and substantially improved *structures* shall be anchored to prevent flotation, collapse, or lateral movement of the *structure*.
- D. All new and substantially improved *structures* shall be constructed with materials and utility equipment resistant to flood damage.

- E. All new construction or *substantial improvements* shall be constructed by methods and practices that minimize flood damages.
- F. All new utility equipment, substations, lines and other materials used in the provision of services to the public such as telephone, electricity, natural gas, and cable television shall be located outside a *floodplain*, unless no viable alternative exists.
- G. Electrical, heating, ventilation, plumbing, air conditioning equipment, and other service facilities shall be designed and/or located so as to prevent water from entering or accumulating within the components during conditions of flooding. These include but are not limited to HVAC equipment, water softener units, bath/kitchen fixtures, ductwork, electric meter panels/boxes, utility/cable boxes, appliances (i.e. washers, dryers, refrigerator, etc.), hot water heaters, electric outlets/switches.
- H. All new and replacement *water supply systems* shall be located outside the *Special Flood Hazard Area*, unless no other viable alternative exists, and designed to minimize or eliminate infiltration of flood waters into the system, and also to meet all other applicable state and local requirements.
- I. All new and replacement sanitary sewage and on-site waste disposal systems shall be located outside the *Special Flood Hazard Area*, unless no other viable alternative exists, and designed to minimize or eliminate infiltration of flood waters into the systems and discharges from the systems into flood waters, and also to meet all other applicable state and local requirements. On-site waste disposal systems constructed near or adjoining *Special Flood Hazard Areas* shall be located and constructed to avoid impairment to them or contamination from them during flooding.
- J. No new private wells shall be located within the *Special Flood Hazard Area* unless no viable alternative exists and that such wells meet all other applicable state and local requirements. Private wells constructed near or adjoining *Special Flood Hazard Areas* shall be located and constructed to minimize or eliminate infiltration of flood water into the system.
- K. Any alteration, repair, reconstruction, or improvements to a *structure* which is in compliance with the provisions of this subpart, shall meet the requirements of “new construction” as contained in this subpart.
- L. Any fill material on which a *structure* is located:
 - (1) Shall be extended to grade ten (10) feet beyond the limits of the *structure* foundation; and
 - (2) Shall be graded to drain; and
 - (3) Shall be protected against *erosion*; and
 - (4) Shall have a side *slope* no steeper than two (2) feet horizontal to one (1) foot vertical; and
 - (5) Shall not contain any contaminated, toxic or hazardous materials; and
 - (6) Shall be approved before placement

- M. *Nonconforming structures* or other development may not be enlarged, replaced, or rebuilt unless such enlargement or reconstruction is accomplished in conformance with the provisions of this subpart. Provided, however, nothing in this subpart shall prevent the repair, reconstruction, or replacement of a *building* or *structure* existing on the original effective date of these regulations (July 30, 2005) and located totally or partially within the *floodway*, *non-encroachment area*, or stream *setback*, provided that the bulk of the *building* or *structure* below the *regulatory flood protection elevation* in the *floodway*, *non-encroachment area*, or stream *setback* is not increased and provided that such repair, reconstruction, or replacement meets all of the other requirements of this subpart, and nothing in this subpart shall prevent the permitted maintenance, repair, reconstruction or replacement of *agriculture*-related water diversion *structures* where the permit for the same is granted by other than Henderson County. No permit shall be required from Henderson County to reconstruct agricultural development which pre-exists the original effective date of these regulations (July 30, 2005).
- N. The following are permitted *uses* for the *floodway fringe*: all *uses* otherwise permitted by the applicable land *use* regulations, so long as such *uses* are in compliance with the terms of this subpart.
- O. New *solid waste disposal facilities*, *hazardous waste management facilities*, *solid waste sites*, *salvage yards*, and *chemical storage facilities* shall not be permitted in *Special Flood Hazard Areas*, except by *variance* as specified in this subpart. A *structure* or tank for chemical or fuel storage incidental to an allowed *use*, including but not limited to *agriculture*, or to the operation of a water treatment plant or *wastewater* treatment facility may be located in a *Special Flood Hazard Area* only if the *structure* or tank is either elevated or floodproofed to at least the *regulatory flood protection elevation* and certified according to Section 200.2(C) of this subpart.
- P. All development proposals shall be consistent with the need to minimize flood damage.
- Q. All development proposals shall have public utilities and facilities such as sewer, gas, electrical, and water systems located and constructed to minimize flood damage.
- R. All development proposals shall have adequate drainage provided to reduce exposure to flood hazards.

201.2 Specific Standards:

In all *Special Flood Hazard Areas* where *BFE* data has been provided, as set forth in this subpart, the following provisions in addition to those required in Section 201.1 are required:

- A. Residential Construction. New construction or *substantial improvement* of any residential *structure* (including *manufactured/mobile homes*) shall have the *reference level*, including *basement*, elevated no lower than the *regulatory flood protection elevation*.

Nonresidential Construction. New construction or *substantial improvement* of any nonresidential *structure* shall have the *reference level*, including *basement*, elevated no lower than the *regulatory flood protection elevation*. *Structures* located in *floodway fringe* may be floodproofed to the *regulatory flood protection elevation* in lieu of elevation provided that all areas of the *structure* below the required flood protection elevation are watertight with walls substantially impermeable to the passage of water, using structural components having the capability of resisting hydrostatic and

hydrodynamic loads and the effect of buoyancy. A registered professional engineer or architect shall certify that the standards of this subsection are satisfied. Such certification shall be provided to the *Floodplain Administrator* as set forth in Section 200.2(C).

B. **Manufactured/Mobile Homes.** No *manufactured/mobile homes* shall be permitted except replacement *manufactured/mobile homes* in an existing *manufactured home park*, existing *manufactured home subdivision*, or replacement *manufactured/mobile homes* on an individual parcel, provided the following conditions are met:

- (1) *Manufactured/mobile homes* shall be elevated so that the *reference level* of the *manufactured/mobile home* is no lower than the *regulatory flood protection elevation*.
- (2) *Manufactured/mobile homes* shall be securely anchored to an adequately anchored foundation to resist flotation, collapse, and lateral movement in accordance with the State of North Carolina Regulations for *Manufactured/Mobile Homes*, 1995 Edition, and any revision thereto adopted by the Commissioner of Insurance pursuant to NCGS §143-143.15 or a certified engineered foundation. Additionally, when the elevation would be met by an elevation of the chassis 36 inches or less above the grade at the site, the chassis shall be supported by reinforced piers or other foundation elements of at least equivalent strength. When the elevation of the chassis is above 36 inches in height, an engineering certification is required.
- (3) All foundation enclosures or skirting shall be in accordance with this subpart.
- (4) An evacuation plan must be developed for evacuation of all residents of all substantially improved or substantially damaged *manufactured/mobile home parks* or *subdivisions* located within *flood prone areas*. This plan shall be filed with and approved by the *Floodplain Administrator* and the local Emergency Management coordinator.

C. **Enclosed areas, of new construction or substantially improved *structures*, which are below the *regulatory flood protection elevation*:**

- (1) Shall not be designed to be used for human habitation, but shall only be used for parking of *vehicles*, *building* access, or limited storage of maintenance equipment used in connection with the premises. Access to the enclosed area shall be the minimum necessary to allow for parking of *vehicles* (*garage door*) or limited storage of maintenance equipment (*standard exterior door*). Or entry to the living area (*stairway or elevator*). The interior portion of such enclosed area shall not be partitioned or finished into separate rooms, except to enclose storage areas;
- (2) Shall be constructed entirely of flood resistant materials below the *regulatory flood protection elevation*;
- (3) Shall include measures to automatically equalize hydrostatic flood forces on walls by allowing for the entry and exit of floodwaters. To meet this requirement, the openings must be certified by a professional engineer or architect on the elevation certification form and meet the following minimum design criteria;

- i Provide a minimum of two (2) openings on different sides of each enclosed area subject to flooding.
- ii The total net area of all openings must be at least one (1) square inch for each square foot of each enclosed area subject to flooding.
- iii If a *building* has more than one (1) enclosed area, each area must have openings on exterior walls to allow floodwater to directly enter;
- iv The bottom of all required openings shall be no higher than one (1) foot above the adjacent grade; and,
- v Openings may be equipped with screens, louvers, or other opening coverings or devices provided they permit the automatic flow of floodwaters in both directions. Foundation enclosures made of flexible skirting are not considered enclosures for regulatory purposes, and, therefore, do not require openings. Masonry or wood skirting, regardless of structural status, is considered an enclosure and requires openings as outlined above.

D. Additions/Improvements.

- (1) *Additions* and/or improvements to *pre-FIRM structures* where the *addition* and/or improvements in combination with any interior modifications to the existing *structure* are:
 - i Not a *substantial improvement*, the *addition* and/or improvements must be designed to minimize flood damages and must not be any more *nonconforming* than the existing *structure*.
 - ii A *substantial improvement*, both the existing *structure* and the *addition* and/or improvements must comply with the standards for new construction.
 - (2) *Additions* to *post-FIRM structures* with no modifications to the existing *structure* shall require only the *addition* to comply with the standards for new construction.
 - (3) *Additions* and/or improvements to *post-FIRM structures* where the *addition* and/or improvements in combination with any interior modifications to the existing *structure* are:
 - i Not a *substantial improvement*, the *addition* and/or improvements only must comply with the standards for new construction.
 - ii A *substantial improvement*, both the existing *structure* and the *addition* and/or improvements must comply with the standards for new construction.
- E. Where a fire wall or independent perimeter load-bearing wall is provided between the *addition* and the existing *building*, the addition(s) shall be considered a separate *building* and only the *addition* must comply with the standards for new construction.
- F. Temporary Nonresidential Structures. Prior to the issuance of a Floodplain Development Permit for a *temporary structure*, the following requirements must be met:

(1) *Applicants* must submit to the *Floodplain Administrator* a plan for the removal of such *structure(s)* in the event of a hurricane, flash flood or other type of flood warning notification. The following information shall be submitted in writing to the *Floodplain Administrator* for review and written approval:

- i A specified time period for which the *temporary use* will be permitted;
- ii The name, address, and phone number of the individual responsible for the removal of the *temporary structure*;
- iii The time frame prior to the event at which a *structure* will be removed (i.e. minimum of 72 hours before landfall of a hurricane or immediately upon flood warning notification);
- iv A copy of the *contract* or other suitable instrument with a trucking company to insure the availability of removal equipment when needed; and
- v Designation, accompanied by documentation, of a location outside the *Special Flood Hazard Area* to which the *temporary structure* will be moved.

(2) The above information shall be submitted in writing to the *Floodplain Administrator* for review and written approval.

G. When *accessory structures* are to be placed within a *Special Flood Hazard Area*, the following criteria shall be met:

- (1) *Accessory structures* shall be designed to have low flood damage potential;
- (2) *Accessory structures* shall be constructed and placed on the *building* site so as to offer the minimum resistance to the flow of floodwaters;
- (3) *Accessory structures* shall be firmly anchored in accordance with Section 201.1(C);
- (4) All service facilities such as electrical and heating equipment shall be installed in accordance with Section 201.1(D);
- (5) Openings to relieve hydrostatic pressure during a flood shall be provided below *regulatory flood protection elevation* in conformance with Section 201.2(C)(3).
- (6) An *accessory structure* with a *footprint* less than 150 square feet does not require an elevation or *floodproofing* certificate (a Floodplain Development Permit is still required). Elevation or *floodproofing* certifications are required for all other *accessory structures* in accordance with Section 200.2(C).

201.3 Subdivisions, Manufactured Home Parks, Manufactured Home Subdivisions, And Other Residential Development:

No new *manufactured home parks* or *manufactured home subdivisions* shall be allowed within a *Special Flood Hazard Area* (except that where real estate located within a *Special Flood Hazard Area* which is a part of such *manufactured home park* or *subdivision* and upon which no development has occurred can be considered as “*open space*” within such *park* or *subdivision*). In addition, *manufactured home parks* and *manufactured home subdivisions* existing on the date

of original enactment (July 30, 2005) of this subpart may not be expanded. All other *subdivisions* or other *residential development* located wholly or in part within a *Special Flood Hazard Area* shall:

- A. Be consistent with the need to minimize flood damage;
- B. Have public utilities and facilities such as sewer, gas, electrical, and water systems located and constructed to minimize flood damage;
- C. Have adequate drainage provided to reduce exposure to flood hazards; and,
- D. Have *Base Flood Elevation (BFE)* data provided if development is greater than the lesser of five (5) acres or 50 *lots*. Such *Base flood elevation (BFE)* data shall be adopted by reference in accord with Section 199.2 in implementing this subpart.

201.4 Standards for Floodplains Without Established Base Flood Elevations:

Within the *Special Flood Hazard Areas* established in Section 199.2, where no *BFE* data has been provided by *FEMA*, the following provisions, in addition to Section 201.1, shall apply:

- A. No *encroachments*, including fill, new construction, *substantial improvements* or new development shall be permitted within a distance of 20 feet from each side of the stream measured from the top of the bank or five (5) times the width of the stream, whichever is greater, unless certification with supporting technical data by a registered professional engineer is provided demonstrating that such *encroachments* shall not result in any increase in flood levels during the occurrence of the *base flood*.
- B. The *BFE* used in determining the *regulatory flood protection elevation* shall be determined based on one of the following criteria set in priority order:
 - (1) If *BFE* data is available from other sources, such as Federal, State or other, all new construction and *substantial improvements* within such areas shall also comply with all applicable provisions of this subpart and shall be elevated or floodproofed in accordance with standards in this subpart.
 - (2) When *BFE* data is not available from a Federal, State, or other source as outlined above, the *reference level* shall be elevated above the *highest adjacent grade* as required in the *regulatory flood protection elevation* definition.

201.5 Standards for Riverine Floodplains With BFE Data but Without Established Floodways or Non-encroachment Areas:

Along rivers and streams where *BFE* data is provided but neither *floodway* nor *non-encroachment areas* are identified for a *Special Flood Hazard Area* on the *FIRM* or in the *FIS*, the following requirements shall apply to all development within such areas:

- A. Standards outlined in §200A-201 (Flood Hazard Reduction); and
- B. No *encroachments*, including fill, new construction, *substantial improvements*, or other development, shall be permitted unless certification with supporting technical data by a registered professional engineer is provided demonstrating that the cumulative effect of the proposed development, when combined with all other existing and anticipated development, will not increase the *water surface elevation* of the *base flood* more than one (1) foot at any point within the community.

§200A-202. Legal Status

202.1 Reserved.

202.2 Effect on Outstanding Building Permits:

Nothing herein contained shall require any change in the plans, construction, size or designated *use* of any development or any part thereof for which a Building Permit has been granted by the Building Codes Administrator or his authorized agents before the time of passage of this subpart (July 5, 2005); provided, however, that when construction is not begun under such outstanding permit within a period of six (6) months subsequent to passage of this subpart or any revision thereto, construction or *use* shall be in conformity with the provisions of this subpart.

202.3 Effective Date:

This ordinance originally became effective 30 July 2005.

Subpart B. Water Supply Watershed Protection**§200A-203. Statutory Authorization**

This subpart is adopted pursuant to the authority vested by the North Carolina General Statutes, particularly Chapter 153A, Article 6, Section 121 and Chapter 143, Article 21 (Watershed and Air Resources).

§200A-204. Effect on Other Laws and Agreements

This subpart shall not be construed to repeal or modify applicable local, state and federal laws, except that to the extent that the provisions of this subpart conflict with any applicable local, state or federal laws, the most stringent of all applicable laws shall govern. It is not intended that these regulations interfere with any *easement*, covenants or other agreements between parties. However, if the provisions of these regulations impose greater restrictions or higher standards for the *use* of a *structure* or land, then the provisions of these regulations shall control.

§200A-205. Purpose

The provisions established in this subpart are designed to manage the *uses* of land and *structures* encompassed by *watersheds* within the County in order to maintain the high quality of surface water in these *watersheds* by enforcing standards which shall limit the impact from existing or potential sources of contamination through the regulation of *lot sizes* and development intensity.

§200A-206. Lands to Which This Subpart Applies

The provisions of this subpart shall apply within (1) the unincorporated areas of Henderson County lying outside the extraterritorial jurisdiction of any municipality and (2) the incorporated areas of any city or town specifically requesting its enforcement by Henderson County upon the consent of the Commissioners, which have been designated as a public *water supply watershed* by the North Carolina Environmental Management Commission and delineated on the map titled "Henderson County Water Supply Watershed Protection Map," herein referred to as the " *Watershed Map*," as amended. (In making such a request, the city or town must comply with the requirements of NCGS §153A-122.) The *Watershed Map* and all explanatory matter contained thereon accompany and are hereby made a part of this Chapter. This Chapter shall be

permanently kept, along with subsequent amendments thereto, on file in the office of the Clerk to the Board of Commissioners.

In cases where a municipality extends its extraterritorial jurisdiction into a *watershed* herein defined, the restrictions applicable to development in that *watershed* shall remain in effect until they are amended or repealed or until the County and such municipality, by mutual consent, transfer authority to administer and enforce *watershed* regulations not inconsistent with state rules.

§200A-207. Designation of Watershed Administrator

The “*Watershed Administrator*” (*Zoning Administrator* or his/her designee) hereby appointed and authorized to administer and enforce the water supply and *watershed* regulations under the terms and conditions of this subpart.

§200A-208. Water Supply Watershed Map

For purposes of this subpart, all *watershed* areas designated by the North Carolina Environmental Management Commission which are within the County's jurisdiction pursuant to Article II of this Chapter are shown on the Official Water Supply Watershed Map which is maintained by the *Watershed Administrator*.

§200A-209. Establishment of Watershed Protection Overlay District

The Watershed Protection Overlay District (and the subdistricts thereof) is/are outlined in Article II of this Chapter. The Watershed Protection Overlay District, and all regulations outlined therein, is included by reference in this subpart.

§200A-210. Interpretation of Boundaries of the Water Supply Watershed Map

Where uncertainty exists as to the boundaries of the *watershed* areas, as shown on the *Watershed Map*, the following rules shall apply. Where:

- A. Area boundaries are indicated as approximately following either *road*, *alley*, railroad or highway lines or center lines thereof, such lines shall be construed to be said boundaries;
- B. Area boundaries are indicated as approximately following *lot* lines, such *lot* lines shall be construed to be said boundaries. However, a surveyed *plat* prepared by a professional land surveyor may be submitted to Henderson County as evidence that one or more properties along these boundaries do not lie within the *watershed* area;
- C. Area boundaries lie at a scaled distance more than 25 feet from any parallel *lot* line, the location of *watershed* area boundaries shall be determined by *use* of the scale appearing on the *Watershed Map*;
- D. Area boundaries lie at a scaled distance of 25 feet or less from any parallel *lot* line, the location of *watershed* area boundaries shall be construed to be the *lot* line; and
- E. Other uncertainty exists, the *Watershed Administrator* shall interpret the *Watershed Map* as to the location of such boundaries. This decision may be *appealed* to the Watershed Review Board.

§200A-211. Establishment of Water Supply Watershed Permits

A Water Supply Watershed Use Permit, Watershed Protection Compliance Permit and Special Intensity Allocation (see Article XI) shall be required in conformance with the provisions of this Chapter for development activities within the *water supply watershed*.

§200A-212. Application of Regulations

- A. Minimizing Impact on Water Quality. No *building* or land shall hereafter be used and no development shall take place except in conformity with the regulations herein specified for the *watershed* area in which it is located. All development must minimize built-upon surface area; direct stormwater away from surface waters; and incorporate *best management practices* to minimize water quality impacts.
- B. Prevention Impact on Water Quality and Public Health. No activity, situation, *structure* or land *use* shall be allowed within the *watershed* which poses a threat to water quality and the public health, safety and welfare. Such conditions may arise from inadequate on-site sewage systems which utilize ground absorption; inadequate *sedimentation* and *erosion* control measures; the improper storage or disposal of junk, trash or other refuse within a *buffer* area; the improper management of *stormwater runoff*; or any other situation found to pose a threat to water quality.
- C. Perennial Stream Buffers. A minimum 30 foot vegetative *buffer* for development activities is required along all *perennial streams* indicated on the most recent versions of USGS 1:24,000 (7.5 minute) scale topographic maps or as determined by the *Watershed Administrator*. (This *buffer* shall be increased to a one 100 foot vegetative *buffer* for any development using the special intensity allocation (*SIA*)). Desirable artificial stream bank or shoreline stabilization is permitted. No new development is allowed in the *buffer* except for *water dependent structures*, other *structures* such as flag poles, *signs* and security lights which result in only minimal increases in *impervious surface* area and public projects, such as *road* crossings and *greenways* where no practical alternative exists. These activities should minimize *built-upon area*; direct runoff away from the surface waters; and maximize the utilization of stormwater *best management practices*.
- D. Permitted Uses. If a *use* or class of *use* is not specifically indicated as being allowed in a *watershed* area (§200A-58, Watershed Protection Overlay District (WP)), such *use* or class of *use* is prohibited.
- E. Nontransferable Area. No area required for the purpose of complying with the provisions of this subpart shall be included in the area required for another *building*.

§200A-213. Subdivisions within the Water Supply Watershed

Subdivisions of land within defined *watershed* areas shall require a *plat* to be prepared, approved and recorded pursuant to this subpart. No *subdivision plat* within a *water supply watershed* shall be filed or recorded by the Register of Deeds until it has been approved in accordance with the provisions of this Chapter and certified as being in compliance with the terms of this subpart by the *Watershed Administrator*. Likewise, the Clerk of Superior Court shall not order or direct the recording of a *plat* if the recording of such *plat* would be in conflict with this subpart.

Subdivisions within a designated *watershed* area shall adhere to the following additional processes:

- A. Upon receipt of an application for the *subdivision* of property as set forth in Article III, such application shall be reviewed by the *Watershed Administrator* to determine if such property lies wholly or in part within a *water supply watershed* area.
- B. If a parcel is determined to be in a *watershed*, the *Watershed Administrator* shall determine if such application complies with the requirements of this Chapter and shall certify to such on any application forms, on preliminary development drawings and on any *plat* proposed for recordation. The certification shall state:

I certify that property shown on this plat is located in a watershed area classified _____ . The plat shown hereon complies with the Henderson County Water Supply Watershed Protection Requirements and is approved for recordation in the Register of Deeds office.

Watershed Administrator

Date

This certification shall constitute *water supply watershed* development approval and shall not operate so as to amend, repeal or replace any other approvals or certifications required on such *plat* by other applicable local, state or federal laws.

§00A-214. Exceptions

Existing Development. *Existing development* is not subject to the requirements of this subpart. Expansions to *structures* classified as *existing development* must meet the requirements of this subpart; however, the *built-upon area* of the *existing development* is not required to be included in the density calculations.

§00A-215. Monitoring Land Use Activities

The *Watershed Administrator* shall monitor land *use* activities within the *watershed* areas to identify situations that may pose a threat to water quality. Where such activities are found, the *Watershed Administrator* shall take any appropriate action or proceeding to restrain, correct or abate the condition and/or *violation*.

Subpart C. Perennial and Intermittent Surface Water Buffers

§00A-216. Perennial and Intermittent Surface Water Buffers

All *built-upon area* shall be at a minimum of 30 feet landward of all perennial and intermittent surface waters. A surface water shall be deemed present if the feature is approximately shown on either the most recent version of the soil survey map prepared by the Natural Resources Conservation Service of the United States Department of Agriculture or the most recent version of the 1:24,000 scale (7.5 minute) quadrangle topographic maps prepared by the United States Geological Survey (*USGS*). An exception to this requirement may be allowed when surface waters are not present in accordance with the provisions of 15A *NCAC* 2B .0233 (3)(a).

Subpart D. Protected Mountain Ridges

§200A-217. Protected Mountain Ridges. The 300 foot elevation requirement shall be eliminated from the definition of "*protected mountain ridges*" for Henderson County as authorized by NCGS 113A-206(6), and the Board of Commissioners requests that the provisions of NCGS 113A-209 apply to all mountain ridges in Henderson County whose elevation is 500 feet or more above the valley floor beginning January 1, 1984.

Note: The foregoing is a re-codification of an ordinance adopted by Henderson County in 1983. The adoption of the Henderson County Land Development Code only relocated its text within the Henderson County Code. Following is the applicable North Carolina General Statute as of November 6, 1983. Henderson County will make every attempt to update the language in this section in a timely manner as the State revised its *Protected Mountain Ridges* legislation. Below is Article 14 which describes the Mountain Ridge Protection Act of 1983, but readers are directed to the North Carolina General Statutes for the most current text.

ARTICLE 14. MOUNTAIN RIDGE PROTECTION.

§ 113A-205. Short title.

This Article shall be known as the Mountain Ridge Protection Act of 1983. (1983, c. 676, s. 1.)

§ 113A-206. Definitions.

Within the meaning of this Article:

- (1) The word "*person*" includes any individual, partnership, firm, association, joint venture, public or private corporation, trust, estate, commission, board, public or private institution, utility, cooperative, interstate body, the State of North Carolina and its agencies and political subdivisions, or other legal entity.
- (2) A *person*, as defined in this section, doing business or maintaining an office within a county is a resident of the county.
- (3) "*Tall buildings or structures*" include any *building, structure* or unit within a multiunit *building* with a vertical height of more than 40 feet measured from the top of the foundation of said *building, structure* or unit and the uppermost point of said *building, structure* or unit; provided, however, that where such foundation measured from the natural finished grade of the crest or the natural finished grade of the high side of the *slope* of a ridge exceeds 3 feet, then such measurement in excess of 3 feet shall be included in the 40-foot limitation described herein; provided, further, that no such *building, structure* or unit shall protrude at its uppermost point above the crest of the ridge by more than 35 feet. "*Tall buildings or structures*" do not include:
 - a. Water, radio, telephone or television towers or any equipment for the transmission of electricity or communications or both.
 - b. *Structures* of a relatively slender nature and minor vertical projections of a parent *building*, including chimneys, flagpoles, flues, spires, steeples, belfries, cupolas, *antennas*, poles, wires, or windmills.
 - c. *Buildings* and *structures* designated as National Historic Sites on the National Archives Registry.
- (4) "Construction" includes reconstruction, alteration, or expansion.
- (5) "Ridge" means the elongated crest or series of crests at the apex or uppermost point of intersection between two opposite *slopes* or sides of a mountain, and includes all land within 100 feet below the elevation of any portion of such line or surface along the crest.
- (6) "Protected mountain ridges" are all mountain ridges whose elevation is 3,000 feet and whose elevation is 500 or more feet above the elevation of an adjacent *valley floor*; provided, however, that a county, or a city with a population of fifty thousand (50,000) or more, may elect to eliminate the requirement for an elevation of 3,000 feet, and such election shall apply both to an ordinance adopted under G.S. 113A-208 and the prohibition against construction

under G.S. 113A-209; provided, further, that such ordinance shall be adopted pursuant to the procedures of G.S. 113A-208.

- (7) "Crest" means the uppermost line of a mountain or chain of mountains from which the land falls away on at least two sides to a lower elevation or elevations. (1983, c. 676, s. 1; 1985, c. 713, s. 1.)

§ 113A-207. Legislative findings.

The construction of tall or major *buildings* and *structures* on the ridges and higher elevations of North Carolina's mountains in an inappropriate or badly designed manner can cause unusual problems and hazards to the residents of and to visitors to the mountains. Supplying water to, and disposing of the sewage from, *buildings* at high elevations with significant numbers of residents may infringe on the ground water rights and endanger the health of those *persons* living at lower elevations. Providing fire protection may be difficult given the lack of water supply and pressure and the possibility that fire will be fanned by high winds. Extremes of weather can endanger *buildings, structures, vehicles, and persons*. Tall or major *buildings* and *structures* located on ridges are a hazard to air navigation and *persons* on the ground and detract from the natural beauty of the mountains. (1983, c. 676, s. 1.)

§ 113A-208. Regulation of mountain ridge construction by counties and cities.

(a) Any county or city may adopt, effective not later than January 1, 1984, and may enforce an ordinance that regulates the construction of tall *buildings* or *structures* on protected mountain ridges by any *person*. The ordinance may provide for the issuance of permits to construct tall *buildings* on protected mountain ridges, the conditioning of such permits, and the denial of permits for such construction. Any ordinance adopted hereunder shall be based upon studies of the mountain ridges within the county, a statement of objectives to be sought by the ordinance, and plans for achieving these objectives. Any such county ordinance shall apply countywide except as otherwise provided in G.S. 160A-360, and any such city ordinance shall apply citywide, to construction of tall *buildings* on protected mountain ridges within the city or county, as the case may be.

A city with a population of 50,000 or more may adopt, prior to January 1, 1986, an ordinance eliminating the requirement for an elevation of 3,000 feet, as permitted by G.S. 113A-206(6).

(b) Under the ordinance, permits shall be denied if a permit application (and shall be revoked if a project) fails to provide for:

- (1) Sewering that meets the requirements of a public *wastewater* disposal system that it discharges into, or that is part of a separate system that meets applicable State and federal standards;
- (2) A *water supply system* that is adequate for *fire protection*, drinking water and other projected system needs; that meets the requirements of any public *water supply system* that it interconnects with; and that meets any applicable State standards, requirements and approvals;
- (3) Compliance with applicable State and local *sedimentation* control regulations and requirements; and
- (4) Adequate consideration to protecting the natural beauty of the mountains, as determined by the local governing body.

(c) Permits may be conditioned to insure proper operation, to avoid or mitigate any of the problems or hazards recited in the findings of G.S. 113A-207, to protect natural areas or the public health, and to prevent badly designed, unsafe or inappropriate construction.

(d) An ordinance adopted under the authority of this section applies to all protected mountain ridges as defined in G.S. 113A-206. A county or city may apply the ordinance to other mountain ridges within its jurisdiction if it finds that this application is reasonably necessary to protect against some or all of the hazards or problems set forth in G.S. 113A-207. Additionally, a city with a population of 50,000 or more may apply the ordinance to other mountain ridges within its extraterritorial planning jurisdiction if it finds that this application is reasonably necessary to protect against some or all of the hazards or problems set forth in G.S. 113A-207.

(e) Determinations by the county or city governing board of heights or elevations under this Article shall be conclusive in the absence of fraud. Any county or city that adopts a ridge ordinance under the authority of this section or other authority shall send a copy of the ordinance to the Secretary of Environment and Natural Resources.

(f) Any county or city that adopts an ordinance pursuant to this section must hold a public hearing before adopting the ordinance upon the question of adopting the ordinance or of allowing the construction of tall *buildings* on protected mountain ridges to be governed by G.S. 113A-209. The public hearing required by this section shall be held upon at least 10 days' notice in a newspaper of general circulation in the unit adopting the ordinance. Testimony

at the hearing shall be recorded and any and all exhibits shall be preserved within the custody of the governing body. The testimony and evidence shall be made available for inspection and scrutiny by any *person*.

(g) Any resident of a county or city that adopted an ordinance pursuant to this section, or of an adjoining county, may bring a civil action against the ordinance-adopting unit, contesting the ordinance as not meeting the requirements of this section. If the ordinance is found not to meet all of the requirements of this section, the county or city shall be enjoined from enforcing the ordinance and the provisions of G.S. 113A-209 shall apply. Nothing in this Article authorizes the State of North Carolina or any of its agencies to bring a civil action to contest an ordinance, or for a *violation* of this Article or of an ordinance adopted pursuant to this Article. (1983, c. 676, s. 1; 1985, c. 713, ss. 2, 4; 1989, c. 727, s. 218(78); 1997-443, s. 11A.119(a).)

§ 113A-209. Certain buildings prohibited.

(a) This section applies beginning January 1, 1984, in any county or city that has failed to adopt a ridge protection ordinance pursuant to G.S. 113A-208 by January 1, 1984.

(b) No county or city may authorize the construction of, and no *person* may construct, a tall *building* or *structure* on any protected mountain ridge.

(c) No county or city may authorize the providing of the following utility services to any *building* or *structure* constructed in *violation* of subsection (b) of this section: electricity, telephone, gas, water, sewer, or septic system. (1983, c. 676, s. 1.)

§ 113A-210. Application to existing buildings.

General Statutes 113A-208 and 113A-209 apply to *buildings* that existed upon the effective date of this Article as follows:

- (1) No reconstruction, alteration or expansion may aggravate or intensify a *violation* by an existing *building* or *structure* that did not comply (a) with G.S. 113A-209 upon its effective date, or (b) with an ordinance adopted under G.S. 113A-208 upon its effective date.
- (2) No reconstruction, alteration or expansion may cause or create a *violation* by an existing *building* or *structure* that did comply (a) with G.S. 113A-209 upon its effective date, or (b) with an ordinance adopted under G.S. 113A-208 upon its effective date. (1983, c. 676, s. 1.)

§ 113A-211. Enforcement and penalties.

(a) *Violations* of this Article shall be subject to the same criminal sanctions, civil penalties and equitable remedies as *violations* of county ordinances under G.S. 153A-123.

(b) Any *person* injured by a *violation* of this Article or any *person* who resides in the county in which the *violation* occurred may bring a civil action against the *person* alleged to be in *violation*. The action may seek:

- (1) Injunctive relief; or
- (2) An order enforcing the provision violated; or
- (3) Damages caused by the *violation*; or
- (4) Both damages and injunctive relief; or
- (5) Both damages and an enforcement order; or
- (6) Both an enforcement order and injunctive relief.

If actual damages as found by the court or jury in suits brought under this subsection are five hundred dollars (\$500.00) or less, the plaintiff shall be awarded double the amount of actual damages; if the amount of actual damages as found by the court or jury is greater than five hundred dollars (\$500.00), the plaintiff shall receive damages in the amount so found. Injunctive relief or an enforcement order under this subsection may be based upon a threatened injury, an actual injury, or both.

Civil actions under this subsection shall be brought in the General Court of Justice of the county in which the alleged *violation* occurred. The court, in issuing any final order in any action brought pursuant to this section may award costs of litigation, including reasonable attorney and expert-witness fees, to any party, whenever it determines that such an award is appropriate. The court may, if a temporary restraining order or preliminary injunction is sought, require the filing of a *bond* or equivalent security, the amount of such *bond* or security to be determined by the court. Nothing in this section shall restrict any right which any *person* or class of *persons* may have under the common law or under any statute to seek injunctive or other relief.

(c) Within the meaning of this section, *violations* of this Article include *violations* of local ordinances adopted pursuant to G.S. 113A- 208. (1983, c. 676, s. 1.)

§ 113A-212. Assistance to counties and cities under ridge law.

(a) The Secretary of Environment and Natural Resources shall provide assistance upon request to the counties and cities in carrying out their functions pursuant to this Article, such as by providing model studies, plans, and ordinances for their consideration.

(b) The Secretary of Environment and Natural Resources shall identify the protected mountain ridge crests in each county by showing them on a map or drawing, describing them in a document, or any combination thereof. Such maps, drawings, or documents shall identify the protected mountain ridges as defined in G.S. 113A-206 and such other mountain ridges as any county may request, and shall specify those protected mountain ridges that serve as all or part of the boundary line between two counties. By November 1, 1983, the map, drawing, or document tentatively identifying the protected mountain ridge crests of each county shall be filed with the board of county commissioners and with the city governing body of each city that requests it. By January 1, 1984, the map, drawing, or document identifying the protected mountain ridge crests shall be permanently filed by the Secretary with the register of deeds in the county where the land lies, and made available for inspection at the Secretary's office in Raleigh. Copies of the maps, drawings, or documents certified by the register of deeds, shall be admitted in evidence in all courts and shall have the same force and effect as would the original.

(b1) By January 1, 1986, a map, drawing, or document tentatively identifying the protected mountain ridge crests of each city with a population of fifty thousand (50,000) or more that has eliminated the requirement for a minimum elevation of 3,000 feet, shall be filed by the Secretary of Environment and Natural Resources with the board of county commissioners and with the city governing body. By March 1, 1986, the map, drawing, or document identifying the protected mountain ridge crests in the city with a population of fifty thousand (50,000) or more shall be permanently filed by the Secretary with the register of deeds in the county where the land within that city with a population of fifty thousand (50,000) or more lies, and shall be made available for inspection at the Secretary's office in Raleigh. Copies of the maps, drawings, or documents certified by the register of deeds shall be admitted in evidence in all courts and shall have the same force and effect as would the original.

(c) Determinations by the Secretary of elevations under this section shall be conclusive in the absence of fraud. (1983, c. 676, s. 1; 1985, c. 713, s. 3; 1989, c. 727, s. 218(79); 1997-443, s. 11A.119(a).)

§ 113A-213. Article is supplemental.

This Article provides a supplemental source of authority in addition to other present or future legislation and shall not be construed as prescribing an exclusive procedure or as granting exclusive powers. (1983, c. 676, s. 1.)

§ 113A-214. Choosing coverage or removal from coverage of this Article.

(a) This Article shall apply in all counties and cities unless and until the jurisdiction adopts an ordinance exempting itself from the coverage of this Article.

This exemption shall only be effective after a binding referendum, in which all registered voters in the jurisdiction are eligible to vote, which shall be held on or before May 8, 1984. The binding referendum shall be held either as a result of a resolution passed by the governing body of the jurisdiction or as a result of an initiative petition signed by fifteen percent (15%) of the registered voters in the jurisdiction and filed with the Board of Elections of that county not later than 60 days before the election is to be held. At that referendum, each qualified voter desiring to vote shall be provided a ballot on which shall be printed the following:

FOR coverage under the Mountain Ridge Protection Act of 1983.

AGAINST coverage under the Mountain Ridge Protection Act of 1983.

(b) If a jurisdiction removes itself from the coverage of this Article, by means of a binding referendum, as provided for in subsection (a) of this section, then it shall have until May 13, 1986 to place itself again under the coverage of this Article by means of an ordinance passed after a similar binding referendum. Once a jurisdiction opts out and then opts back under the Article, it may not take any further action to again remove itself from the coverage of the Article.

(c) If a county has chosen the permit procedure authorized by G.S. 113A-208, and then opts out of and either the county or any city in the county opts back under the coverage of this Article, then that jurisdiction may choose the permit procedure even after January 1, 1984.

(d) When a county removes itself from the coverage of this Article all cities within the county shall be removed from the coverage of this Article. Provided, however, a city in a county that has removed itself from coverage may, under the procedure set forth in subsection (b) of this section, place itself again under the coverage of this Article.

(e) When a protected mountain ridge is any part of the boundary between two jurisdictions then that part of the ridge shall be covered by this Article unless both jurisdictions remove themselves from the coverage of this Article. (1983, c. 676, s. 1.)

§§ 113A-215 through 113A-219. Reserved for future codification purposes.

Subpart E. Soil Erosion and Sedimentation Control

§200A-218. Purpose

This subpart is adopted for the purposes of: (1) regulating certain *land-disturbing activity* to control *accelerated erosion* and *sedimentation* in order to prevent the pollution of water and other damage to lakes, watercourses, and other public and private property by *sedimentation*; (2) protecting economic and ecological integrity of the County; and (3) establishing procedures through which these purposes can be fulfilled.

§200A-219. Scope and Exclusions

- A. Geographical Scope of Regulated Land-Disturbing Activity. This subpart shall apply to *land-disturbing activity* within the unincorporated areas of Henderson County and its municipalities as allowed by agreement between *local governments*, other appropriate legal instrument or law.
- B. Exclusions from Regulated Land-Disturbing Activity. Notwithstanding the general applicability of this subpart to all *land-disturbing activity*, this subpart shall not apply to the following types of *land-disturbing activity*:
 - (1) An activity, including breeding and grazing of livestock, *undertaken* on agricultural land for the production of plants and animals useful to man, including, but not limited to:
 - a. forage and sod crops, grain and feed crops, tobacco, cotton, orchards and fruit crops, and peanuts.
 - b. dairy animals and dairy products.
 - c. poultry and poultry products.
 - d. livestock, including beef cattle, sheep swine, horses, ponies, mules, and goats.
 - e. bees and apiary products.
 - f. fur producing animals.
 - (2) An activity *undertaken* on forestland for the production and harvesting of timber and timber products and conducted in accordance with best management practices set out in Forest Practice Guidelines Related to Water Quality, as adopted by *NC DENR*. If *land-disturbing activity* *undertaken* on forestland for the production and harvesting of timber and timber products is not conducted in accordance with Forest Practice Guidelines Related to Water Quality, the provisions of this subpart shall apply to such activity and any related *land-disturbing activity* on the *tract*.
 - (3) An activity for which a permit is required under the Mining Act of 1971, Article 7 of Chapter 74 of the *NC GS*.
 - (4) A *land-disturbing activity* over which the State has exclusive regulatory jurisdiction as provided in *NC GS* §113A-56(a).

- (5) An activity which is essential to protect human life during an emergency.
- C. Plan or Permit Approval Requirement for Land-Disturbing Activity. No *person* shall undertake any *land-disturbing activity* subject to this subpart without first obtaining an Erosion and Sedimentation Control Plan or Permit approval from the *Soil Erosion and Sedimentation Control Administrator*.
- (1) For the purpose of the subpart, an erosion control plan shall be required for:
- a. Any *land-disturbing activity* which uncovers one or more acres (43,560 square feet) of land.
 - b. Any *land-disturbing activity* which uncovers one-half (1/2) acre or more (21,780 square feet) of land with an *average slope* of 16 percent (7.2 degrees) to 25 percent (11.25 degrees) in its natural state. The *average slope* shall be calculated only for the disturbed area.
 - c. Any *land-disturbing activity* which uncovers one-quarter (1/4) acre or more (10,890 square feet) of land with an *average slope* over 25 percent (11.25 degrees) in its natural state. The *average slope* shall be calculated only for the disturbed area.
- (2) For purposes of this subpart an erosion control permit is required where no Erosion Control Plan is required and the land-disturbance activity disturbs more than 100 square feet. An Erosion Control Permit requires submittal of a *sketch plan* (see (a), below) and, upon issuance, that the permit is displayed in accordance with (b), below.
- a. Sketch Plan. No *person* shall initiate any *land-disturbing activity* exceeding 100 square feet without a *sketch plan* (not to scale). The *sketch plan* shall be submitted on eight and one-half (8.5) by 11 paper or larger; consist of property lines from Henderson County's GIS or a survey; include the property where land-disturbance will occur and adjacent parcels; indicate existing and proposed *buildings, roads, drives, trees* (existing and those to be removed); indicate all streams, drainage ditches or other bodies of water; indicate the proposed land disturbance area (including its dimensions); and indicate measures to be installed to control *erosion*.
 - b. Display of Permit Approval. A permit approval issued under this subpart shall be prominently displayed on the property until all *land-disturbing activity* is complete.
- D. Protection of Property. *Persons* conducting *land-disturbing activity* shall take all reasonable measures to protect all public and private property from damage caused by such activity.
- E. More Restrictive Rules Shall Apply. Whenever conflicts exist between federal, state, or local laws, ordinances, or rules, the more restrictive provision shall apply.
- F. Plan and Permit Approval Exceptions. Notwithstanding the general requirement to obtain an Erosion and Sedimentation Control Plan or Permit approval prior to undertaking *land-*

disturbing activity, an Erosion and Sedimentation Control Plan or Permit approval shall not be required for *land-disturbing activity* that does not exceed the provisions as specified in §200A-219 (Scope and Exclusions) C (Plan or Permit Approval Requirement for Land-Disturbing Activity). No Erosion and Sedimentation Control Plan or Permit approval is required if a building permit has been obtained prior to the effective date of this subpart (October 1, 2007) and Erosion and Sedimentation Control Plan approval was not required under State rules. In determining the area, lands under one or diverse ownership being developed as a unit will be aggregated.

§200A-220. Mandatory Standards for Land Disturbing Activity

No *land-disturbing activity* subject to the control of this subpart shall be *undertaken* except in accordance with the following mandatory standards:

A. Buffer Zone

- (1) Standard Buffer. No *land-disturbing activity* during periods of construction or improvement to land shall be permitted in proximity to a *lake or natural watercourse* unless a *buffer zone* is provided along the margin of the watercourse of sufficient width to confine visible *siltation* within the 25 percent of the *buffer zone* nearest the *land-disturbing activity*.
 - a. Projects On, Over or Under Water. This subsection shall not apply to a *land-disturbing activity* in connection with the construction of facilities to be located on, over, or under a *lake or natural watercourse*.
 - b. Buffer Measurement. Unless otherwise provided, the width of a *buffer zone* is measured horizontally from the edge of the *bankfull* elevation to the nearest edge of the disturbed area, with the 25 percent of the strip nearer the *land-disturbing activity* containing natural or artificial means of confining visible *siltation*.
- (2) Trout Buffer. Waters that have been classified as trout waters by the Environmental Management Commission shall have an undisturbed *buffer zone* 25 feet wide or of sufficient width to confine visible *siltation* within the 25 percent of the *buffer zone* nearest the *land-disturbing activity*, whichever is greater. Provided, however, that the North Carolina Sedimentation Control Commission may approve plans which include *land-disturbing activity* along trout waters when the duration of said disturbance would be temporary and the extent of said disturbance would be minimal.
 - a. Projects On, Over or Under Water. This subsection shall not apply to a *land-disturbing activity* in connection with the construction of facilities to be located on, over, or under a *lake or natural watercourse*.
 - b. Trout Buffer Measurement. The 25 foot minimum width for an undisturbed *buffer zone* adjacent to designated trout waters shall be measured horizontally from the top of the bank to the nearest edge of the disturbed area.
 - c. Limit on Land Disturbance. Where a temporary and minimal disturbance has been permitted as an exception to the trout buffer, *land-disturbing*

activities in the *buffer zone* adjacent to designated trout waters shall be limited to a maximum of ten (10) percent of the total length of the *buffer zone* within the *tract* to be disturbed such that there is not more than 100 linear feet of disturbance in each 1000 linear feet of *buffer zone*. Larger areas may be disturbed with the written approval of the Director of the Division of Land Resources of *NCDENR*.

- d. Limit on Temperature Fluctuations. No *land-disturbing activity* shall be *undertaken* within a *buffer zone* adjacent to designated trout waters that will cause adverse temperature fluctuations in the trout waters, as set forth in 15 *NCAC* 2B.0211 "Fresh Surface Water Classification and Standards."
- B. Graded Slopes and Fills. The angle for graded slopes and fills shall be no greater than the angle that can be retained by vegetative cover or other adequate *erosion* control devices or *structures*. In any event, slopes left exposed will, within 21 calendar days of completion of any *phase of grading*, be planted or otherwise provided with temporary or permanent *ground cover*, devices, or *structures* sufficient to restrain *erosion*. The angle for graded slopes and fills must be demonstrated to be stable. Stable is the condition where the soil remains in its original configuration, with or without mechanical constraints.
- C. Fill Material. Unless a permit from *NCDENR's* Division of Waste Management to operate a *landfill* is on file for the official site, acceptable fill material shall be free of organic or other degradable materials, masonry, concrete and brick in sizes exceeding 12 inches, and any materials which would cause the site to be regulated as a *landfill* by the State of North Carolina.
- D. Ground Cover. Whenever *land-disturbing activity* is *undertaken* on a *tract*, the *person* conducting the *land-disturbing activity* shall install *erosion* and *sedimentation* control devices and practices that are sufficient to retain the *sediment* generated by the *land-disturbing activity* within the boundaries of the *tract* during construction upon and development of said *tract*, and shall plant or otherwise provide a permanent *ground cover* sufficient to restrain *erosion* after *completion of construction or development*. Except as provided in §200A-233 (Design and Performance Standards) B(5) of this subpart, provisions for a *ground cover* sufficient to restrain *erosion* must be accomplished within 21 calendar days following *completion of construction or development*.
- E. Prior Plan Approval. No *person* shall initiate any *land-disturbing activity* on a *tract* unless, 30 or more days prior to initiating the activity, an Erosion and Sedimentation Control Plan for the activity is filed with and approved by the *Soil Erosion and Sedimentation Control Administrator*. An Erosion and Sedimentation Control Plan may be filed less than 30 days prior to initiation of a *land-disturbing activity* if the plan is submitted under an approved express permit program, and the *land-disturbing activity* may be initiated and conducted in accordance with the plan once the plan has been approved. The County shall forward to the Director of the Division of Water Quality a copy of each Erosion and Sedimentation Control Plan for a *land-disturbing activity* that involves the utilization of ditches for the purpose of de-watering or lowering the water table of the *tract*. Submittal of a *sketch plan* is required one (1) day prior to initiating any *land-disturbing activity*.

§00A-221. Erosion and Sedimentation Control Plans

- A. Pre-Submittal Conference. A pre-submittal conference can be requested by a *person* or an agent of that party conducting *land-disturbing activity*. At the pre-submittal, the *Soil Erosion and Sedimentation Control Administrator* shall inform the *applicant* of the processes involved with Erosion and Sedimentation Control Plan review and approval, issuance of an Erosion and Sedimentation Control Plan Certificate and Letter of Approval, and the relationship of said Erosion and Sedimentation Control Plan and Letter of Approval with zoning, building code, and other land-use regulations in effect in Henderson County. At the time of application submission, the *Soil Erosion and Sedimentation Control Administrator* also shall notify the *applicant* of the *appeal* process as provided in the subpart.
- B. Plan Submission. An Erosion and Sedimentation Control Plan shall be prepared for all *land-disturbing activities* subject to this subpart. An Erosion and Sedimentation Control Plan shall be prepared by a *design professional*. Three (3) copies of the Erosion and Sedimentation Control Plan shall be filed with the *Soil Erosion and Sedimentation Control Administrator* at least 30 days prior to the commencement of the proposed activity.
- C. Financial Responsibility and Ownership. Erosion and Sedimentation Control Plans may be disapproved when not accompanied by an authorized statement of financial responsibility and ownership. This statement shall be signed by the *person* financially responsible for the *land-disturbing activity* or his attorney in fact. The statement shall include the mailing and street addresses of the principal place of business of (1) the *person* financially responsible, (2) the owner of the land, and (3) any registered agents. If the *person* financially responsible is not a resident of North Carolina, a North Carolina agent must be designated in the statement for the purpose of receiving notice of compliance or non-compliance with the Erosion and Sedimentation Control Plan, the North Carolina Sedimentation Pollution Control Act of 1973, this subpart, or rules or orders adopted or issued pursuant to this subpart. If the *applicant* is not the owner of the land to be disturbed, the draft Erosion and Sedimentation Control Plan must include the owner's written consent for the *applicant* to submit a draft Erosion and Sedimentation Control Plan and to conduct the anticipated *land-disturbing activity*.
- D. Environmental Policy Act Document. Any Erosion and Sedimentation Control Plan submitted for a *land-disturbing activity* for which an environmental document is required by the North Carolina Environment Policy Act (*NCGS §113A-1, et seq.*) shall be deemed incomplete until a complete environmental document is available for review. The *Soil Erosion and Sedimentation Control Administrator* shall promptly notify the *person* submitting the Erosion and Sedimentation Control Plan that the 30 day time limit for review of the Erosion and Sedimentation Control Plan pursuant to this subpart shall not begin until a complete environmental document is available for review.
- E. Content. The Erosion and Sedimentation Control Plan required by this section shall contain architectural and engineering drawings, maps, assumptions, calculations, and narrative statements as needed to adequately describe the proposed development of the *tract* and the measures planned to comply with the requirements of this subpart. Erosion and Sedimentation Control Plan content may vary to meet the needs of specific site

requirements. Detailed guidelines for Erosion and Sedimentation Control Plan preparation may be obtained from the *Soil Erosion and Sedimentation Control Administrator* on request.

- F. Design Manual. Appropriate *erosion* and *sedimentation* practices and measures shall be in accordance to the *Design Manual* developed by the State or any Erosion and Sedimentation Control Design Manual adopted by Henderson County or any supplemental materials.
- G. Soil and Water Conservation District Comments. The Henderson County Soil and Water Conservation District, created pursuant to *NCGS* Chapter 139, and hereafter “the District” shall review the Erosion and Sedimentation Control Plan and submit any comments and recommendations to the *Soil Erosion and Sedimentation Control Administrator* within 20 days after the District received the Erosion and Sedimentation Control Plan or within any shorter period of time as may be agreed upon by the District and Henderson County. Failure of the District to submit its comments and recommendations within 20 days or within any agreed-upon shorter period of time shall not delay final action on the Erosion and Sedimentation Control Plan.
- H. Timeline for Decisions on Plans. The *Soil Erosion and Sedimentation Control Administrator*, will review each complete Erosion and Sedimentation Control Plan submitted to them and within 30 days of receipt thereof will notify the *person* submitting the Erosion and Sedimentation Control Plan that it has been approved, approved with modifications, approved with performance reservations, or disapproved. Failure to approve, approve with modifications, or disapprove a complete Erosion and Sedimentation Control Plan within 30 days of receipt shall be deemed approval. The *Soil Erosion and Sedimentation Control Administrator* will review each revised Erosion and Sedimentation Control Plan submitted to them and within 15 days of receipt thereof will notify the *person* submitting the Erosion and Sedimentation Control Plan that it has been approved, approved with modifications, approved with performance reservations, or disapproved. Failure to approve, approve with modifications, or disapprove a revised Erosion and Sedimentation Control Plan within 15 days of receipt shall be deemed approval.
- I. Approval. The *Soil Erosion and Sedimentation Control Administrator* shall only approve an Erosion and Sedimentation Control Plan upon determining that it complies with all applicable State and local regulations for *erosion* and *sedimentation* control. Approval assumes the *applicant's* compliance with the federal and state water quality laws, regulations and rules. The *Soil Erosion and Sedimentation Control Administrator* shall condition approval of Erosion and Sedimentation Control Plans upon the *applicant's* compliance with federal and state water quality laws, regulations and rules. The *Soil Erosion and Sedimentation Control Administrator* may establish an expiration date, not to exceed three (3) years, for Erosion and Sedimentation Control Plans approved under this subpart.
- J. Disapproval for Content. The *Soil Erosion and Sedimentation Control Administrator* may disapprove an Erosion and Sedimentation Control Plan or draft Erosion and Sedimentation Control Plan based on its content. A disapproval based upon an Erosion

and Sedimentation Control Plan's content must specifically state in writing the reasons for disapproval.

- K. Other Disapprovals. The *Soil Erosion and Sedimentation Control Administrator* may disapprove an Erosion and Sedimentation Control Plan or draft Erosion and Sedimentation Control Plans if implementation of the Erosion and Sedimentation Control Plan would result in a *violation* of the rules adopted by the Environmental Management Commission to protect riparian buffers along surface waters. A *local government* may disapprove an Erosion and Sedimentation Control Plan upon finding that an *applicant*, or a *parent, subsidiary, or other affiliate* of the *applicant*:
- (1) Is conducting or has conducted *land-disturbing activity* without an approved Erosion and Sedimentation Control Plan, or has received notice of *violation* of an Erosion and Sedimentation Control Plan previously approved by the North Carolina Sedimentation Control Commission or a *local government* pursuant to the North Carolina Sedimentation Pollution Control Act of 1973 and has not complied with the notice within the time specified in the notice;
 - (2) Has failed to pay a civil penalty assessed pursuant to the North Carolina Sedimentation Pollution Control Act of 1973 or a local ordinance adopted pursuant to the North Carolina Sedimentation Pollution Control Act of 1973 by the time the payment is due;
 - (3) Has been convicted of a misdemeanor pursuant to *NCG S §113A-64(b)* or any criminal provision of a local ordinance adopted pursuant to the North Carolina Sedimentation Pollution Control Act of 1973; or
 - (4) Has failed to substantially comply with State rules or local ordinances and regulations adopted pursuant to the North Carolina Sedimentation Pollution Control Act of 1973.

For purposes of this subsection, an *applicant's* record may be considered for only the two (2) years prior to the application date.

In the event that an Erosion and Sedimentation Control Plan is disapproved pursuant to this subsection, the *Soil Erosion and Sedimentation Control Administrator* shall notify the Director of the Division of Land Resources of *NCDENR* of such disapproval within ten (10) days. The *Soil Erosion and Sedimentation Control Administrator* shall advise the *applicant* and the Director of the Division of Land Resources of *NCDENR* in writing as to the specific reasons that the Erosion and Sedimentation Control Plan was disapproved.

- L. Notice of Activity Initiation. No *person* may initiate a *land-disturbing activity* before notifying the agency that issued the Erosion and Sedimentation Control Plan approval of the date that *land-disturbing activity* will begin.
- M. Preconstruction Conference. When deemed necessary by the approving authority a preconstruction conference may be required.
- N. Display of Plan Approval. An Erosion and Sedimentation Control Plan approval issued under this subpart shall be prominently displayed until all construction is complete, all permanent *sedimentation* and *erosion* control measures are installed and the site has been stabilized. A copy of the approved plan shall be kept on file at the job site.

- O. Required Revisions. After approving an Erosion and Sedimentation Control Plan, if the *Soil Erosion and Sedimentation Control Administrator* either upon review of such Erosion and Sedimentation Control Plan or on inspection of the job site, determines that a significant risk of *accelerated erosion* or off-site *sedimentation* exists, the *Soil Erosion and Sedimentation Control Administrator* shall require a revised Erosion and Sedimentation Control Plan. Pending the preparation of the revised Erosion and Sedimentation Control Plan, work shall cease or shall continue under conditions outlined by the appropriate authority. If following commencement of a *land-disturbing activity* pursuant to an approved Erosion and Sedimentation Control Plan, the *Soil Erosion and Sedimentation Control Administrator* determines that the Erosion and Sedimentation Control Plan is inadequate to meet the requirements of this subpart, the *Soil Erosion and Sedimentation Control Administrator* may require any revision of the Erosion and Sedimentation Control Plan that is necessary to comply with this subpart.
- P. Amendment to a Plan. Applications for amendment of an Erosion and Sedimentation Control Plan in written and/or graphic form may be made at any time under the same conditions as the original application. Until such time as said amendment is approved by the *Soil Erosion and Sedimentation Control Administrator* the *land-disturbing activity* shall not proceed except in accordance with the Erosion and Sedimentation Control Plan as originally approved.
- Q. Failure to File a Plan. Any *person* engaged in *land-disturbing activity* who fails to file an Erosion and Sedimentation Control Plan in accordance with this subpart, or who conducts a *land-disturbing activity* except in accordance with provisions of an approved Erosion and Sedimentation Control Plan shall be deemed in *violation* of this Chapter.

§00A-222. Basic Control Objectives

An *erosion and sedimentation control Erosion and Sedimentation Control Plan* may be disapproved if the Erosion and Sedimentation Control Plan fails to address the following control objectives:

- A. Identify Critical Areas. On-site areas which are subject to severe *erosion*, and off-site areas which are especially vulnerable to damage from *erosion* and/or *sedimentation*, are to be identified and receive special attention.
- B. Limit Time of Exposure. All *land-disturbing activities* are to be planned and conducted to limit exposure to the shortest feasible time.
- C. Limit Exposed Areas. All *land-disturbing activity* is to be planned and conducted to minimize the size of the area to be exposed at any one (1) time.
- D. Control Surface Water. Surface water runoff originating upgrade of exposed areas should be controlled to reduce *erosion* and *sediment* loss during the period of exposure.
- E. Control Sedimentation. All *land-disturbing activity* is to be planned and conducted so as to prevent off-site *sedimentation* damage.
- F. Manage Stormwater Runoff. When the increase in the *velocity* of *stormwater runoff* resulting from a *land-disturbing activity* is sufficient to cause *accelerated erosion* of the receiving watercourse, an Erosion and Sedimentation Control Plan is to include measures

to control the *velocity* to the point of discharge so as to minimize *accelerated erosion* of the site and increased *sedimentation* of the stream.

§200A-223. Design and Performance Standards

- A. Except as provided in §200A-233 (Design and Performance Standards) B(2) of this subpart, *erosion* and *sedimentation* control measures, *structures*, and devices shall be planned, designed, and constructed to provide protection from the calculated maximum peak rate of runoff from the ten (10) year storm. Runoff rates shall be calculated using the procedures in the USDA, Soil Conservation Service's "National Engineering Field Manual for Conservation Practices", or other acceptable calculation procedures.
- B. HQW Zones. In *High Quality Water (HQW) zones* the following design standards shall apply:
- (1) Limit on Uncovered Area. *Uncovered* areas in *HQW zones* shall be limited at any time to a maximum total area of 20 acres within the boundaries of the *tract*. Only the portion of the *land-disturbing activity* within a *HQW zone* shall be governed by this section. Larger areas may be *uncovered* within the boundaries of the *tract* with the written approval of the Director of the Division of Land Resources of *NC DENR*.
 - (2) Maximum Peak Rate of Runoff Protection. *Erosion* and *sedimentation* control measures, *structures*, and devices within *HQW zones* shall be planned, designed and constructed to provide protection from the runoff of the *25-year storm* which produces the maximum peak rate of runoff as calculated according to procedures in the United States Department of Agriculture Soil Conservation Service's "National Engineering Field Manual for Conservation Practices" or according to procedures adopted by any other agency of this state or the United States or any generally recognized organization or association.
 - (3) Settling Efficiency. *Sediment* basins within *HQW zones* shall be designed and constructed such that the basin will have a settling efficiency of at least 70 percent for the 40 micron (0.04 millimeter) size soil particle transported into the basin by the runoff of that two (2) year storm which produces the maximum peak rate of runoff as calculated according to procedures in the United States Department of Agriculture Soil Conservation Service's "National Engineering Field Manual for Conservation Practices" or according to procedures adopted by any other agency of this state or the United States or any generally recognized organization or association.
 - (4) Grade. Newly constructed open channels in *HQW zones* shall be designed and constructed with side slopes no steeper than two (2) horizontal to one (1) vertical if a vegetative cover is used for stabilization unless soil conditions permit a steeper slope or where the slopes are stabilized by using mechanical devices, structural devices or other acceptable ditch liners. In any event, the angle for side slopes shall be sufficient to restrain *accelerated erosion*.
 - (5) Ground Cover. *Ground cover* sufficient to restrain *erosion* must be provided for any portion of a *land-disturbing activity* in a *HQW zone* within 15 *working days*

or 60 calendar days following *completion of construction or development*, whichever period is shorter.

§200A-224. Stormwater Outlet Protection

- A. Intent. Stream banks and channels downstream from any *land-disturbing activity* shall be protected from increased degradation by *accelerated erosion* caused by increased *velocity* of runoff from the *land-disturbing activity*.
- B. Performance Standard. *Persons* shall conduct *land-disturbing activity* so that the post construction *velocity* of the ten (10) year storm runoff in the receiving watercourse to the *discharge point* does not exceed the greater of:
- (1) the *velocity* established by the Maximum Permissible Velocities Table set out within this subsection; or
 - (2) the *velocity* of the *ten-year storm* runoff in the receiving watercourse prior to development.

If condition (1) or (2) of this Paragraph cannot be met, then the receiving watercourse to and including the *discharge point* shall be designed and constructed to withstand the expected *velocity* anywhere the *velocity* exceeds the “prior to development” *velocity* by 10 percent.

Table 8.1. Maximum Permissible Velocities		
Material	Feet Per Second (F.P.S.)	Meters Per Second (M.P.S.)
Fine sand (noncolloidal)	2.5	0.8
Sandy loam (noncolloidal)	2.5	0.8
Silt loam (noncolloidal)	3.0	0.9
Ordinary firm loam	3.5	1.1
Fine gravel	5.0	1.5
Stiff clay (very colloidal)	5.0	1.5
Graded, loam to cobbles (noncolloidal)	5.0	1.5
Graded, silt to cobbles (colloidal)	5.5	1.7
Alluvial silts (noncolloidal)	3.5	1.1
Alluvial silts (colloidal)	5.0	1.5
Coarse gravel (noncolloidal)	6.0	1.8
Cobbles and shingles	5.5	1.7
Shales and hard pans	6.0	1.8

Source - Adapted from recommendations by Special Committee on Irrigation Research, American Society of Civil Engineers, 1926, for channels with straight alignment. For sinuous channels, multiply allowable *velocity* by 0.95 for slightly sinuous, by 0.9 for moderately sinuous channels, and by 0.8 for highly sinuous channels.

- C. Acceptable Management Measures. Measures applied alone or in combination to satisfy the intent of this section are acceptable if there are no objectionable secondary consequences. The *Soil Erosion and Sedimentation Control Administrator* recognizes that the management of *stormwater runoff* to minimize or control downstream channel and

bank *erosion* is a developing technology. Innovative techniques and ideas will be considered and may be used when shown to have the potential to produce successful results. Some alternatives, while not exhaustive, are to:

- (1) Avoid increases in surface runoff volume and *velocity* by including measures to promote infiltration to compensate for increased runoff from areas rendered impervious;
- (2) Avoid increases in *stormwater* discharge velocities by using vegetated or roughened swales and waterways in place of closed drains and high *velocity* paved sections;
- (3) Provide *energy dissipators* at outlets of *storm drainage facilities* to reduce flow velocities to the point of discharge;
- (4) Protect watercourses subject to *accelerated erosion* by improving cross sections and/or providing *erosion-resistant* lining; and
- (5) Upgrade or replace the receiving device *structure* or watercourse such that it will receive and conduct the flow to a point where it is no longer subject to degradation from the increased rate of flow or increased *velocity*.

D. Exceptions. This rule shall not apply where it can be demonstrated to the *Soil Erosion and Sedimentation Control Administrator* that stormwater discharge velocities will not create an *erosion* problem in the receiving watercourse.

§00A-225. Borrow and Waste Areas

When the *person* conducting the *land-disturbing activity* is also the *person* conducting the *borrow* or *waste* disposal activity, areas from which *borrow* is obtained and which are not regulated by the provisions of the Mining Act of 1971, and *waste* areas for surplus materials other than *landfills* regulated by *NCDENR's* Division of Waste Management shall be considered as part of the *land-disturbing activity* where the *borrow* material is being used or from which the *waste* material originated. When the *person* conducting the *land-disturbing activity* is not the *person* obtaining the *borrow* and/or disposing of the *waste*, these areas shall be considered a separate *land-disturbing activity*.

§00A-226. Access and Haul Roads

Temporary access and haul *roads*, other than *public roads*, constructed or used in connection with any *land-disturbing activity* shall be considered a part of such activity. Whenever an access or haul *road* adjoins a dedicated public or private *road*, sufficient depth, width, and type of stone, properly compacted, shall be installed as a mud matt to prevent the accumulation of soil and mud on existing *roads*.

§00A-227. Operations in Lakes or Natural Watercourses

Land-disturbing activity in connection with construction in, on, over, or under a *lake* or *natural watercourse* shall minimize the extent and duration of disruption of the stream channel. Where relocation of a stream forms an essential part of the proposed activity, the relocation shall minimize unnecessary changes in the stream flow characteristics.

§200A-228. Responsibility for Maintenance

During the development of a site, the *person* conducting the *land-disturbing activity* shall install and maintain all temporary and permanent *erosion* and *sedimentation* control measures as required by the approved plan or any provision of this subpart, the North Carolina Sedimentation Pollution Control Act of 1973, or any order adopted pursuant to this subpart or the North Carolina Sedimentation Pollution Control Act of 1973. After site development, the landowner or *person* in possession or control of the land shall install and/or maintain all necessary permanent *erosion* and *sediment* control measures, except those measures installed within a *road right-of-way* or *easement* accepted for maintenance by a governmental agency.

§200A-229. Additional Measures

Whenever the *Soil Erosion and Sedimentation Control Administrator* determines that significant *erosion* and *sedimentation* is occurring as a result of *land-disturbing activity*, despite application and maintenance of protective practices, the *person* conducting the *land-disturbing activity* will be required to and shall take additional protective action.

§200A-230. Existing Uncovered Areas

- A. All *uncovered* areas existing on the effective date of this subpart which resulted from *land-disturbing activity*, exceed one (1) acre, are subject to continued *accelerated erosion*, and are causing off-site damage from *sedimentation*, shall be provided with a *ground cover* or other protective measures, *structures*, or devices sufficient to restrain *accelerated erosion* and control off-site *sedimentation*.
- B. The *Soil Erosion and Sedimentation Control Administrator* shall serve upon the landowner or other *person* in possession or control of the land a written notice to comply with the North Carolina Sedimentation Pollution Control Act of 1973, this subpart, a rule or order adopted or issued pursuant to the North Carolina Sedimentation Pollution Control Act of 1973 by the North Carolina Sedimentation Control Commission or by the *Soil Erosion and Sedimentation Control Administrator*. The notice to comply shall be sent by registered or certified mail, return receipt requested, or other means provided in GS 1A-1, Rule 4. The notice will set forth the measures needed to comply and will state the time within which such measures must be completed. In determining the measures required and the time allowed for compliance, the authority serving notice shall take into consideration the economic feasibility, technology, and quantity of work required, and shall set reasonable and attainable time limits of compliance.
- C. The *Soil Erosion and Sedimentation Control Administrator* reserves the right to require preparation and approval of an Erosion and Sedimentation Control Plan in any instance where extensive control measures are required.
- D. This rule shall not require *ground cover* on cleared land forming the future basin of a planned reservoir.

§200A-231. Fees

- A. Henderson County may establish a fee schedule for the review and approval of Erosion and Sedimentation Control Plans or Permits.

- B. In establishing the fee schedule, the County shall consider the administrative and personnel costs incurred for reviewing the Erosion and Sedimentation Control Plans or Permits and for related compliance activities.

§200A-232. Plan and Permit Appeals

- A. Except as provided in §200A-232 (Plan and Permit Appeals) B of this subpart, the *appeal* of a disapproval or approval with modifications of an Erosion and Sedimentation Control Plan or Permit shall be governed by the following provisions:
- (1) The disapproval or modification of any proposed Erosion and Sedimentation Control Plan or Permit by the *Soil Erosion and Sedimentation Control Administrator* shall entitle the *person* submitting the Erosion and Sedimentation Control Plan or Permit to a public hearing if such *person* submits written demand for a hearing within 15 days after receipt of written notice of disapproval or modifications.
 - (2) A hearing held pursuant to this section shall be conducted by the Henderson County Zoning Board of Adjustment (ZBA) within 30 days after the date of the *appeal* or request for a hearing.
 - (3) The ZBA will render its final decision on any *appeal* within 45 days of the completion of the hearing.
 - (4) If the ZBA upholds the disapproval or modification of a proposed Erosion and Sedimentation Control Plan or Permit following the hearing, the *person* submitting the Erosion and Sedimentation Control Plan or Permit shall then be entitled to *appeal* the County's decision to the Competent Court of Jurisdiction.
- B. In the event that an Erosion and Sedimentation Control Plan or Permit is disapproved pursuant to §200A-221 (Erosion and Sedimentation Control Plan) J of this subpart, the *applicant* may *appeal* the *Board of Adjustment's* disapproval of the Erosion and Sedimentation Control Plan directly to the North Carolina Sediment Control Commission.

§200A-233. Inspections and Investigations

- A. Inspection. Agents, officials, or other qualified *persons* authorized by the *Soil Erosion and Sedimentation Control Administrator* will periodically inspect *land-disturbing activities* to ensure compliance with the North Carolina Sedimentation Pollution Control Act of 1973, this subpart, or rules or orders adopted or issued pursuant to this subpart, and to determine whether the measures required in the Erosion and Sedimentation Control Plan or Permit are effective in controlling *erosion* and *sedimentation* resulting from *land-disturbing activity*. Notice of the right to inspect shall be included in the certificate of approval of each Erosion and Sedimentation Control Plan.
- B. Willful Resistance, Delay or Obstruction. No *person* shall willfully resist, delay, or obstruct an authorized representative, employee, or agent of the County, while that *person* is inspecting or attempting to inspect a *land-disturbing activity* under this section.
- C. Notice of Violation. If the *Soil Erosion and Sedimentation Control Administrator* determines that a *person* engaged in *land-disturbing activity* has failed to comply with the North Carolina Sedimentation Pollution Control Act of 1973, this subpart, or rules, or

orders adopted or issued pursuant to this subpart, a notice of *violation* shall be served upon that *person*. The notice may be served by any means authorized under *NCGS* 1A-1, Rule 4 upon the *person* conducting the *land-disturbing activity* and, if different from that party, the property owner. The notice shall specify a date, by which the *person* must comply with the North Carolina Sedimentation Pollution Control Act of 1973, or this subpart, or rules, or orders adopted pursuant to this subpart, and inform the *person* of the actions that need to be taken to comply with the North Carolina Sedimentation Pollution Control Act of 1973, this subpart, or rules or orders adopted pursuant to this subpart. Any *person* who fails to comply within the time specified is subject to additional civil and criminal penalties for a continuing *violation* as provided in *NCGS* §113A-64 and this subpart.

D. Revocation of Permits. The notice shall set forth the actions necessary to achieve compliance with the plan or this section, specify a reasonable time period within which such measures must be completed, and warn that failure to correct the *violation* within the time period will result in one or more of the following:

- (1) Revocation of the land-disturbing permit, all building permits, and any other permits issued by the County;
- (2) The issuance of a stop work order;
- (3) The assessment of civil penalties; or
- (4) Other enforcement action.

If work has not begun within six (6) months following the issuance date, the land-disturbing permit shall be deemed expired. Renewal of the land-disturbing permit will require submittal of a new application and associated plan review fees. No grading work is to be performed until the new permit is issued.

E. Investigation. The *Soil Erosion and Sedimentation Control Administrator* shall have the power to conduct such investigation as it may reasonably deem necessary to carry out its duties as prescribed in this subpart, and for this purpose to enter at reasonable times upon any property, public or private, for the purpose of investigating and inspecting the sites of any *land-disturbing activity*.

F. Statements and Reports. The *Soil Erosion and Sedimentation Control Administrator* shall also have the power to require written statements, or filing of reports under oath, with respect to pertinent questions relating to *land-disturbing activity*.

§200A-234. Penalties

A. Civil Penalties

- (1) Civil Penalty for a Violation. Any *person* who violates any of the provisions of this subpart, or rule or order adopted or issued pursuant to this subpart, or who initiates or continues a *land-disturbing activity* for which an Erosion and Sedimentation Control Plan or Permit is required except in accordance with the terms, conditions, and provisions of an approved Erosion and Sedimentation Control Plan or Permit, is subject to a civil penalty. The maximum civil penalty amount that the *Soil Erosion and Sedimentation Control Administrator* may assess per *violation* is 5,000 dollars. A civil penalty may be assessed from the date

of the *violation*. Each day of a continuing *violation* shall constitute a separate *violation*.

- (2) Civil Penalty Assessment Factors. The *Soil Erosion and Sedimentation Control Administrator* shall determine the amount of the civil penalty based upon the following factors:
 - a. the degree and extent of harm caused by the *violation*,
 - b. the cost of rectifying the damage,
 - c. the amount of money the violator saved by noncompliance,
 - d. whether the *violation* was committed willfully, and
 - e. the prior record of the violator in complying or failing to comply with this subpart.
 - (3) Notice of Civil Penalty Assessment. The *Henderson County Board of Adjustment* shall provide notice of the civil penalty amount and basis for assessment to the *person* assessed. The notice of assessment shall be served by any means authorized under *NCGS 1A-1, Rule 4*, and shall direct the violator to either pay the assessment or contest the assessment, within 30 days after receipt of the notice of assessment, by written demand for a hearing.
 - (4) Hearing. A hearing on a civil penalty shall be conducted by the *ZBA* within 30 days after the date of the written demand for the hearing.
 - (5) Final Decision. The *Board of Adjustment* shall render its final decision on the civil penalty within 45 days of the receipt of the *appeal*.
 - (6) Appeal of Final Decision. Appeal from the final decision of the *Board of Adjustment* shall be to the Competent Court of Jurisdiction.
 - (7) Collection. If payment is not received within 30 days after it is due, Henderson County may institute a civil action to recover the amount of the assessment. The civil action may be brought in the Superior Court of the county where the *violation* occurred, or the violator's residence or where the violator's principal place of business is located. Such civil actions must be filed within three (3) years of the date the assessment was due. An assessment that is not contested is due when the violator is served with a notice of assessment. An assessment that is contested is due at the conclusion of the administrative and judicial review of the assessment.
 - (8) Credit of Civil Penalties. Civil penalties collected pursuant to this subpart shall be credited to the Civil Penalty and Forfeiture Fund.
- B. Criminal Penalties. Any *person* who knowingly or willfully violates any provision of this subpart, or rule or order adopted or issued pursuant to this subpart, or who knowingly or willfully initiates or continues a *land-disturbing activity* for which an Erosion and Sedimentation Control Plan is required except in accordance with the terms, conditions, and provisions of an approved Erosion and Sedimentation Control Plan, shall be guilty of a Class 2 misdemeanor which may included a fine not to exceed 5,000 dollars as provided in *NCGS §113A-64*.

§200A-235. Injunctive Relief

- A. Violation of Local Program. Whenever Henderson County has reasonable cause to believe that any *person* is violating or threatening to violate any subpart, rule, regulation or order adopted or issued by Henderson County, or any term, condition, or provision of an approved Erosion and Sedimentation Control Plan, it may, either before or after the institution of any other action or proceeding authorized by this subpart, institute a civil action in the name of the County, for injunctive relief to restrain the *violation* or threatened *violation*. The action shall be brought in the superior court of the county in which the *violation* is occurring or is threatened.
- B. Abatement of Violation. Upon determination by a court that an alleged *violation* is occurring or is threatened, the court shall enter any order or judgment that is necessary to abate the *violation*, to ensure that restoration is performed, or to prevent the threatened *violation*. The institution of an action for injunctive relief under this section shall not relieve any party to the proceedings from any civil or criminal penalty prescribed for *violations* of this subpart.

§200A-236. Restoration After Non-Compliance

The *Soil Erosion and Sedimentation Control Administrator* may require a *person* who engaged in a *land-disturbing activity* and failed to retain *sediment* generated by the activity, as required by NCGS §113A-57 (3), to restore the waters and land affected by the failure so as to minimize the detrimental effects of the resulting pollution by *sedimentation*. This authority is in addition to any other civil or criminal penalty or injunctive relief authorized under this subpart.

§200A-237. Severability

If any section or sections of this subpart is/are held to be invalid or unenforceable, all other sections shall nevertheless continue in full force and effect.

§200A-238. Effective Date

This subpart becomes effective on October 1, 2007.

§200A-239. Reserved

§200A-240. Reserved

§200A-241. Reserved

§200A-242. Reserved

§200A-243. Reserved

§200A-244. Reserved

§200A-245. Reserved

§200A-246. Reserved

§200A-247. Reserved

§200A-248. Reserved

§200A-249. Reserved

§200A-250. Reserved

- §200A-251. Reserved**
- §200A-252. Reserved**
- §200A-253. Reserved**
- §200A-254. Reserved**
- §200A-255. Reserved**
- §200A-256. Reserved**
- §200A-257. Reserved**
- §200A-258. Reserved**

DRAFT

DRAFT

ARTICLE IX NONCONFORMITIES

§00A-259. General

The purpose of this Article is to establish regulations which govern *uses, structures, lots* and other circumstances which came into being lawfully, but that do not conform to one or more requirements of this Chapter. Such nonconformities could have been created by the adoption of this Chapter, prior adoption of other ordinances carried forth in this Chapter, or change in the classification of property or change in the text of this Chapter. Any *nonconforming use, structure or lot* which lawfully existed as of the effective date of this Chapter and that remains *nonconforming* may be continued only in accordance with the terms of this Article. Any *use, structure or lot* which has become *nonconforming* as a result of the adoption of this Chapter or any subsequent amendment to the text of this Chapter or Official Zoning Map, may be continued or maintained only in accordance with the terms of this Article. As used in this Article the term, "effective date of this Chapter, or any amendment thereto," refers to the date of the Chapter/Ordinance which first rendered a *use, structure or lot nonconforming*.

§00A-260. Nonconforming Lots

- A. Improvement, Alteration, Expansion or Erection of a Structure on a Nonconforming Lot. Any improvement, alteration, expansion or erection of a *structure* on a *nonconforming lot* shall comply with all other minimum requirements of this Chapter for the *structure/use* or a *variance* from these requirements must be obtained.
- B. Maintenance, Required Alteration or Remodeling of a Structure on a Nonconforming Lot. Maintenance, alteration or remodeling of *structures*, as required by any public law and so ordered by a public officer in authority, shall be permitted. Routine maintenance shall be permitted where no expansion of nonconformity occurs as a result of the maintenance.
- C. Combining and Recombining Lots. Any *nonconforming lot* which adjoins one or more other *lots* in the same ownership should be combined or recombined as possible to form a conforming *lot* or *lots*.
- D. Water Supply Watershed Requirements. A *nonconforming lot* shall not be subject to the development restrictions of Article VIII Subpart B. (Water Supply Watershed Protection) subparts related thereto where developed for single-family residential purposes.

§00A-261. Nonconforming Structures

- A. Improvement, Alteration or Expansion of a Structure. A legally established *nonconforming structure* shall be permitted provided that the *nonconforming structure* shall not be improved, altered or expanded except to meet safety requirements or conform to the requirements of this Chapter. Where the improvement or expansion is to a residential *structure*, such improvement or expansion may occur provided that no additional *dwelling units* result, and that the improvement or expansion complies with the requirements for residential *structures* of the applicable district.

- B. Maintenance, Alteration or Remodeling of a Structure. Maintenance, alteration or remodeling of a *structure*, as required by any public law and so ordered by a public officer in authority, shall be permitted. Routine maintenance shall be permitted where no expansion of the nonconformity occurs as a result of the maintenance.
- C. Repair/Reconstruction of Damaged Structure (Other than Signs). Where a *nonconforming structure* has been damaged by fire, wind, flood or other natural causes, it may be repaired/reconstructed provided that repairs/reconstruction are:
- (1) Initiated within six (6) months and completed within one (1) year of the damage (An extension (for a period of up to 12 months) may be granted by the *Zoning Administrator* provided he/she determines that the *structure* does not pose a public health and safety risk).
 - (2) Not resulting in any increase in structural dimension except as otherwise permitted in this Article;
 - (3) Not resulting in any change in location of the *structures* except to provide greater conformance with the requirements of this Chapter; and,
 - (4) Made where damage is not substantial (see definition of *Substantial Damage*).

Where *substantial damage* occurs, the *structure* shall not be repaired/reconstructed except in conformity with the provisions of this Chapter.

- D. Repair/Reconstruction of Damaged Structure (Signs). Where a *nonconforming sign* has been damaged, it may be repaired/reconstructed and used as before, provided that repairs/reconstruction are initiated within 60 days and completed within 180 days of such damage.

§200A-262. Nonconforming Structures Containing Nonconforming Uses

- A. Improvement or Alteration of a Structure. Where a *nonconforming structure* contains a *nonconforming use*, no improvement or alteration of the *nonconforming structure* is permitted except where such improvement or alteration:
- (1) Does not result in an expansion/enlargement of the *structure*;
 - (2) Is required by law or order from the *Zoning Administrator*, Building Inspector or Fire Marshal to ensure safety of the *structure*; or
 - (3) Is on a residential *structure* (where such alteration may occur provided that no additional *dwelling units* result, and that the alteration complies with the requirements for residential *structures* of the applicable district).
- B. Nonconforming Use. Standards for *nonconforming uses* shall also apply (see §200A-263 (Nonconforming Uses)).
- C. Enlargement or Expansion of a Use. A *nonconforming use* of a *structure* may be enlarged or expanded only into portions of the *structure* which existed at the time the *use* became *nonconforming*.

§200A-263. Nonconforming Uses

A. Nonconforming Uses (General).

- (1) Changed to Conforming Use. A *nonconforming use* may only be changed to a conforming *use*, and thereafter may not be used for any *nonconforming use*.
- (2) Presumption of Discontinuance. A *nonconforming use* shall be presumed discontinued when:
 - a. The owner has indicated, in writing or by public statement, intent to abandon the *use*;
 - b. A conforming *use* has replaced the prior *nonconforming use*;
 - c. The *structure* containing the *nonconforming use* has been removed;
 - d. The owner has physically changed the *structure* or its permanent equipment in such a way as to clearly indicate a change resulting in something other than the *nonconforming use*;
 - e. The property and/or *structure* has been vacant for six (6) months as determined by the *Zoning Administrator*; or
 - f. The *use* has been completely inactive for six (6) months as determined by the *Zoning Administrator*.
- (3) Overcoming Presumption of Abandonment. A *nonconforming use* contained in a *structure*, based solely on the length of time the *use* of a *structure* has remained vacant or inactive (see §200A-263 subsection A(2)e and/or A(2)f), may be rebutted and overcome upon a showing, to the satisfaction of the *Zoning Administrator*, that during such period the owner of the land has:
 - a. Been maintaining the land and *structure* in accordance with the North Carolina State Building Code; and
 - b. Either:
 1. Been actively and continuously marketing the land or *structure* for sale or lease or has been making necessary improvements in order to continue the *use*.
 2. Been operating a seasonal business on the land and/or in the *structure* for a similar period of time each year since the *use* lawfully came into existence.

B. Nonconforming Outside/Outdoor Uses.

- (1) Enlargement or Expansion of a Use. A *nonconforming outside/outdoor use* shall not be enlarged or expanded to cover more of the *lot* than was occupied by that *use* when it became *nonconforming*.

C. Nonconforming Manufactured/Mobile Home Used for Residence.

- (1) Enlargement of a Use. A *nonconforming manufactured/mobile home* may be enlarged provided the enlargement does not result in new nonconformities.

- (2) Replacement of a Use. A *nonconforming manufactured/mobile home* may be replaced with a similarly sized/larger *manufactured/mobile home* provided the replacement adheres to the standards of this Chapter (including aesthetic standards). The replacement home shall not result in new nonconformities and shall take place within 180 days of removal of the initial *manufactured/mobile home* (see §200A-60 (Supplemental Requirements) S.R. 1.4. (*Dwelling, Manufactured/Mobile Home*) regarding standards).

D. Nonconforming Manufactured Home Park.

- (1) Enlargement or Expansion of a Use. A *nonconforming manufactured home park* may be enlarged or expanded provided that any such enlargement/expansion shall be in accordance with the requirements of this Chapter (see §200A-60 (Supplemental Requirements) SR 1.13 (*Manufactured Home Park*)).

§200A-264. Nonconforming Commercial and Industrial Uses/Structures within the former Open Use (OU) Zoning District

- A. Maintenance, Improvement, Alteration, Expansion, Remodeling, Repair and Reconstruction. Commercial and industrial *uses/structures* legally established in the former Open Use zoning district and made *nonconforming* by the adoption of this Chapter and its associated *zoning map* shall be allowed to be maintained, improved, altered, expanded, remodeled, repaired and/or reconstructed in adherence with the dimensional requirements and *setbacks* of the current applicable district.
- B. Discontinuance of Nonconforming Use. Standards found in §200A-263 (Nonconforming Uses) shall apply.

§200A-265. Reserved

§200A-266. Reserved

§200A-267. Reserved

ARTICLE X**DECISION-MAKING, ADMINISTRATIVE AND ADVISORY BODIES****§00A-268. Henderson County Board of Commissioners**

- A. Powers and Duties Pursuant to This Chapter. Without limiting any authority granted to the Henderson County Board of Commissioners by law or by regulations, The Board of Commissioners shall have the following powers and duties with respect to this Chapter, to be carried out in accordance with the terms of this Chapter:
- (1) Land Use Plans. To adopt a *Comprehensive Plan* and other land use plans for the County and to amend such plans as appropriate.
 - (2) Administrative Amendments. To initiate *administrative amendments* to the *Comprehensive Plan* by submittal to the *Planning Director*; and to adopt *administrative amendments* proposed by any individual or agency as appropriate.
 - (3) Substantive Amendments. To initiate *substantive amendments* to the *Comprehensive Plan*; and to adopt *substantive amendments* proposed by any individual or agency as appropriate and following review by the Planning Board.
 - (4) Text Amendments. To initiate *text amendments* to this Chapter by adopted motion and submittal to the *Planning Director*; and to adopt any *text amendment* proposed by any individual or agency as appropriate.
 - (5) Map Amendments. To initiate *map amendments* to the Official Zoning Map by adoption of a motion; and to adopt any *map amendment* proposed by any individual or agency as appropriate.
 - (6) Water Supply Watershed Text and Map Amendments. To initiate *text amendments* related to the *water supply watershed* regulations of this Chapter; to initiate *map amendments* related to the *water supply watershed* on the Official Zoning Map; and to adopt any text or *map amendment* related to the *water supply watershed* as appropriate.
 - (7) Fees. To establish fees for permits and approvals related to the administration of this Chapter.
 - (8) Special Use Permits. To grant *special use* permits deferred by the Zoning Board of Adjustment as authorized by this Chapter.
 - (9) Special Fill Permits. To grant *special fill permits* as authorized by this Chapter.
 - (10) Special Intensity Allocation. To grant special intensity allocations as authorized by this Chapter.
 - (11) Additional Powers and Duties. Such additional powers and duties as may be set forth for the Board of Commissioners elsewhere in this Chapter and in other laws and regulations.

§200A-269. Henderson County Planning Board (See Also §6-11 Of the Henderson County Code)

- A. Powers and Duties Pursuant to This Chapter. Without limiting any authority granted to the Henderson County Planning Board by law or by regulations, the Planning Board shall have the following powers and duties with respect to this Chapter, to be carried out in accordance with the terms of this Chapter:
- (1) Studies and Surveys. To perform studies and surveys of the present conditions and probable future development of the County and its environs.
 - (2) Administrative Amendments. To initiate *administrative amendments* to the *Comprehensive Plan* by adopted motion and submittal to the *Planning Director*.
 - (3) Substantive Amendments. To initiate and review *substantive amendments* to the *Comprehensive Plan* and make recommendations to the Board of Commissioners for final action thereon.
 - (4) Text Amendments. To initiate *text amendments* to this Chapter by adopted motion and submittal to the *Planning Director*; and to review any proposed *text amendment* and make recommendations to the Board of Commissioners for final action thereon.
 - (5) Map Amendments. To initiate *map amendments* to the Official Zoning Map by adopted motion; and to review any proposed *map amendment* and make recommendations to the Board of Commissioners for final action thereon.
 - (6) Plan Review. To approve, approve conditionally or deny any plan for a *subdivision* for which it is the reviewing agency and any plan referred to it by another reviewing agency.
 - (7) Special Fill Permits. To review *special fill permit* applications and make recommendations to the Board of Commissioners for final action thereon.
 - (8) Additional Powers and Duties. Such additional powers and duties as may be set forth for the Planning Board elsewhere in this Chapter and in other laws and regulations.
- B. Membership. Nine (9) members appointed by the Board of Commissioners.
- C. Terms. Overlapping terms of three (3) years.
- D. Vacancies. Any vacancy shall be filled for the unexpired term in the same manner as the initial appointment.
- E. Officers. The Planning Board shall elect a Chair and Vice-Chair from its members, who shall serve for one (1) year or until reelected or until their successors are elected. The Planning Board shall appoint a secretary who may be a County officer, an employee of the County or a member of the Zoning Board of Adjustment.
- F. Rules. The Planning Board shall adopt rules and bylaws in accordance with the provisions of this Chapter, NCGS §153A-345 and the *Henderson County Planning Board Rules of Procedure*.

- G. Meetings. Meetings of the Planning Board shall be held at the call of the Chair (or in his/her absence, the Vice-Chair), or the *Planning Director* and at such other times as the Planning Board may determine. The Chair (or in his/her absence, the Vice-Chair) may administer oaths and compel the attendance of witnesses by subpoena. All meetings or hearings of the Planning Board shall be open to the public.
- H. Records. The Planning Board shall keep minutes of its proceedings, showing the vote of each member upon each question, or if absent or failing to vote, indicating that fact.

§200A-270. Henderson County Zoning Board of Adjustment

- A. Powers and Duties Pursuant to This Chapter. Without limiting any authority granted to the Zoning Board of Adjustment by law or by regulations, the Zoning Board of Adjustment shall have the following powers and duties with respect to this Chapter, to be carried out in accordance with the terms of this Chapter:
- (1) Text Amendments. To initiate *text amendments* to this Chapter by adopted motion and submittal to the *Planning Director*.
 - (2) Map Amendments. To initiate *map amendments* to the Official Zoning Map by adopted motion.
 - (3) Flood Damage Prevention Board. To serve as the Flood Damage Prevention Board.
 - (4) Watershed Review Board. To serve as the Watershed Review Board.
 - (5) Administrative Review. To hear and decide *appeals* where it is alleged there is error in an order, requirement, decision, determination or interpretation made by an Administrator in the enforcement of this Chapter.
 - (6) Notice of Civil Penalty Assessment. To provide notice of the civil penalty amount and basis for the assessment as related to the portions of this Chapter related to Soil Erosion and Sedimentation Control.
 - (7) Communication Facility Permits. To review and approve the granting of a *communication facility permit* by the *Communication Facilities Administrator* for any *category three (3) communication facility*;
 - (8) Special Use Permits. To grant *special use* permits as authorized by this Chapter, or to defer the decision to the Board of Commissioners;
 - (9) Temporary Use Permits. To grant *temporary use* permits referred by the *Zoning Administrator* and as authorized by this Chapter.
 - (10) Variances. To hear and decide applications for approval of zoning *variances* from the terms of this Chapter, in accordance with the procedures and standards set forth in §200A-331 (Variances).
 - (11) Vested Rights. To grant vested rights as authorized by this Chapter.
 - (12) Additional Powers and Duties. Such additional powers and duties as may be set forth for the Zoning Board of Adjustment elsewhere in this Article and in other laws and regulations.

- B. Membership. Five (5) regular members and five (5) alternate members appointed by the Board of Commissioners. Members shall be citizens of Henderson County and shall serve without pay. Alternative members may serve on individual matters based on a regular member's temporary disqualification. Vacant seats and disqualified members are not considered in calculating a 4/5 vote if there are no qualified alternates.
- C. Terms. Overlapping terms of three (3) years.
- D. Vacancies. Any vacancy shall be filled for the unexpired term in the same manner as the initial appointment.
- E. Officers. The Zoning Board of Adjustment shall elect a Chair and Vice-Chair from its members, who shall serve for one (1) year or until reelected or until their successors are elected. The Zoning Board of Adjustment shall appoint a secretary, who may be a County officer, an employee of the County or a member of the Zoning Board of Adjustment.
- F. Rules. The Zoning Board of Adjustment shall adopt rules and bylaws in accordance with the provisions of this Chapter, *NCGS §153A-345* and the *Zoning Board of Adjustment Rules of Procedure*.
- G. Meetings. Meetings of the Zoning Board of Adjustment shall be held at the call of the Chair (or in his/her absence, the Vice-Chair) and at such other times as the Zoning Board of Adjustment may determine. The Chair (or in his/her absence, the Vice-Chair) may administer oaths and compel the attendance of witnesses by subpoena. All meetings or hearings of the Zoning Board of Adjustment shall be open to the public.
- H. Decisions. The concurring vote of four-fifths (4/5) of the members of the Zoning Board of Adjustment shall be necessary to reverse any order, requirement or determination of the *Zoning Administrator*, or to decide in favor of the *applicant* on any matter upon which it is required to pass under this Chapter, or to affect any variation of this Chapter. On all *appeals*, applications and other matters brought before the Zoning Board of Adjustment, said Board shall inform those making *appeal* or application of its decisions and the reasons therefore. Such notification shall be in writing.
- I. Records. The Zoning Board of Adjustment shall keep minutes of its proceedings, showing the vote of each member upon each question, or if absent or failing to vote, indicating that fact. Final disposition of *appeals* shall be by order indicating the reasons of the Zoning Board of Adjustment therefore, all of which shall be a public record.

§200A-271. Henderson County Watershed Review Board

- A. Powers and Duties Pursuant to This Chapter. Without limiting any authority granted to the Watershed Review Board by law or by regulations, the Watershed Review Board shall have the following powers and duties with respect to this Chapter, to be carried out in accordance with the terms of this Chapter:
 - (1) Text Amendments. To initiate *text amendments* to this Chapter by adopted motion and submittal to the *Planning Director*.
 - (2) Map Amendments. To initiate *map amendments* to the Official Zoning Map by adopted motion.

- (3) Watershed Map Review. To interpret the official *watershed* maps and pass decisions upon disputed questions of *lot* lines or district boundary lines.
 - (4) Administrative Review. To hear and decide *appeals* from any decision or determination made by the *Watershed Administrator* in the enforcement of any sections of this Chapter which relate to *water supply watershed* protection.
 - (5) Special Intensity Allocation. To grant special intensity allocations as authorized by this Chapter; and to refer special intensity allocations to the Board of Commissioners as appropriate.
 - (6) Water Supply Watershed Use Permits. To grant *water supply watershed use* permits as authorized by this Chapter.
 - (7) Watershed Protection Compliance Permits. To grant watershed protection compliance permits as authorized by this Chapter.
 - (8) Variances. To grant, in specific cases, local *variances* from the terms of this Chapter which relate to *water supply watershed* protection.
 - (9) Additional Powers and Duties. Such additional powers and duties as may be set forth for the Watershed Review Board elsewhere in this Chapter and in other laws and regulations.
- B. Membership. The Zoning Board of Adjustment shall serve as the Watershed Review Board.
- C. Rules. The Watershed Review Board shall carry out all powers and duties stated in the rules of procedure adopted by the Board of Commissioners for the Watershed Review Board. Any changes (other than to the meeting time and place) to such rules of procedure must be approved by the Board of Commissioners.
- D. Meetings. All meetings or hearings of the Watershed Review Board shall be open to the public.
- E. Decisions. The concurring vote of four-fifths (4/5) of the members of the Watershed Review Board shall be necessary to reverse any order, requirement or decision of the *Watershed Administrator*. The same four-fifths (4/5) vote shall be necessary to decide in favor of the *applicant* on any matter upon which the Watershed Review Board is required to pass under any sections of this Chapter which relate to *water supply watershed* protection or to affect any variation of those sections of this Chapter which relate to *water supply watershed* protection. On all *appeals*, applications and other matters brought before the Watershed Review Board, said board shall inform in writing all parties involved of its decisions and the reasons therefore.
- F. Records. The Watershed Review Board shall keep minutes of its proceedings, showing the vote of each member upon each question, or if absent or failing to vote, indicating that fact. Final disposition of *appeals* shall be by recorded order indicating the reasons of the Watershed Review Board therefore, all of which shall be public record.

§200A-272. Henderson County Flood Damage Prevention Board

- A. Powers and Duties Pursuant to This Chapter. Without limiting any authority granted to the Flood Damage Prevention Board by law or by regulations, the Flood Damage Prevention Board shall have the following powers and duties with respect to this Chapter, to be carried out in accordance with the terms of this Chapter:
- (1) Administrative Review. To hear and decide *appeals* from any decision or determination made by the *Floodplain Administrator* in the enforcement of any sections of this Chapter which relate to flood damage prevention.
 - (2) Text Amendments. To initiate *text amendments* to this Chapter by adopted motion and submittal to the *Planning Director*.
 - (3) Map Amendments. To initiate *map amendments* to the Official Zoning Map by adopted motion.
 - (4) Variances. To grant, in specific cases, *variances* from the terms of any sections of this Chapter which relate to flood damage prevention.
 - (5) Additional Powers and Duties. Such additional powers and duties as may be set forth for the Flood Damage Prevention Board elsewhere in this Chapter and in other laws and regulations.
- B. Membership. The Zoning Board of Adjustment shall serve as the Flood Damage Prevention Board.
- C. Rules. The Flood Damage Prevention Board shall carry out all powers and duties stated in the rules of procedure adopted by the Board of Commissioners for the Flood Damage Prevention Board. Any changes other than to the meeting time and place to such rules of procedure must be approved by the Board of Commissioners.
- D. Meetings. All meetings or hearings of the Flood Damage Prevention Board shall be open to the public.
- E. Decisions. The concurring vote of four-fifths (4/5) of the members of the Flood Damage Prevention Board shall be necessary to reverse any order, requirement or decision of the *Floodplain Administrator*. The same four-fifths (4/5) vote shall be necessary to decide in favor of the *applicant* on any matter upon which the Flood Damage Prevention Board is required to pass under any sections of this Chapter which relate to flood damage prevention or to affect any variation of any sections of this Chapter which relate to flood damage prevention. On all *appeals*, applications and other matters brought before the Flood Damage Prevention Board, said board shall inform in writing all parties involved of its decisions and the reasons therefore.
- F. Records. The Flood Damage Prevention Board shall keep minutes of its proceedings, showing the vote of each member upon each question, or if absent or failing to vote, indicating that fact. Final disposition of *appeals* shall be by order indicating the reasons of the Flood Damage Prevention Board therefore, all of which shall be public record.

§200A-273. Henderson County Technical Review Committee

- A. Established. A Technical Review Committee is hereby established pursuant to *NCGS* §160A-361.
- B. Powers and Duties Pursuant to This Chapter. Without limiting any authority granted to the Technical Review Committee by law or by regulations, the Technical Review Committee shall have the following powers and duties with respect to this Chapter, to be carried out in accordance with the terms of this Chapter:
- (1) Manufactured Home Park Site Plan Review. To approve, approve conditionally or deny all *manufactured home park site plans*.
 - (2) Site Plan Review. To approve, approve conditionally or deny all major *site plans*.
 - (3) Plan Review. To approve, approve conditionally or deny any plan for a *subdivision* for which it is the reviewing agency; and to review and make recommendations to the Planning Board on any plan for a *subdivision* for which the Planning Board is the reviewing agency. The Technical Review Committee shall reserve the right to refer any *subdivision* to the Planning Board for approval.
 - (4) Text Amendments. To review *text amendments* to this Chapter and make recommendations to the Planning Board for recommendation thereon.
 - (5) Map Amendments. To review *map amendments* to the Official Zoning Map and to make recommendations to the Planning Board for recommendation thereon.
 - (6) Technical Review. To provide for a continuing, coordinated and comprehensive review of the technical aspects of this Chapter.
 - (7) Special Use Permits. To review *special use* permit applications and make recommendations to the Zoning Board of Adjustment for final action thereon.
 - (8) Additional Powers and Duties. Such additional powers and duties as may be set forth for the Henderson County Technical Review Committee elsewhere in this Chapter and in other laws and regulations.
- C. Membership. The Technical Review Committee may consist of up to six (6) regular members. Department heads, or their designated representative(s), from the following County offices shall be appointed as regular members of the Technical Review Committee: Building Services, Environmental Health, Fire Marshal, Planning, Engineering and Zoning. The Board of Commissioners may choose to appoint an ex officio member to the Technical Review Committee as a citizen representative. The Technical Review Committee may, at the discretion of the Chair, also request participation from the following department heads and staff, or their designated representatives: County Attorney, EMS Director, Henderson County School Superintendent, *NCDOT* Representative, Parks and Recreation Director, Sheriff and/or Soil and Water Conservationist.
- D. Officers. The *Planning Director* shall chair the Technical Review Committee. The Chair shall be in charge of all proceedings before the *TRC* and shall take such action as shall be necessary to procure order and the integrity of these proceedings.

- E. Rules. The Technical Review Committee shall adopt rules and regulations governing procedure, as necessary or advisable, and in accordance with the provisions of this Chapter and of *NCGS* §153A-345.
- F. Decisions. The Technical Review Committee may approve, approve conditionally or deny any application in accordance with this Chapter. On all applications brought before the Technical Review Committee, said Committee shall inform those making application of its decisions and recommendations and the reasons therefore. Such notification shall be in writing.
- G. Records. The Technical Review Committee shall keep record of its proceedings including written comments issued to *applicants* by permanent and advisory members.

§00A-274. Henderson County Zoning Administrator

- A. Powers and Duties Pursuant to This Chapter. The *Zoning Administrator* shall have the following duties with respect to this Chapter, to be carried out in accordance with the terms of this Chapter:
 - (1) Interpretation. To interpret the terms and provisions of this Chapter.
 - (2) Enforcement. To enforce the provisions of this Chapter including properly investigating complaints from *persons* who allege that *violations* of this Chapter have occurred and initiating appropriate action as necessary to prevent, enjoin, abate or remove any *violations* found. The *Zoning Administrator*, or his/her duly authorized representative, may enter any *building, structure* or premises, as provided by law, to perform any duty imposed upon him/her by this Chapter.
 - (3) Staff Support. To provide staff support to the Zoning Board of Adjustment, Watershed Review Board and Flood Damage Prevention Board.
 - (4) Membership on the Technical Review Committee. To serve as a member of the Technical Review Committee.
 - (5) Communication Facilities Administrator. To serve as the *Communication Facilities Administrator*.
 - (6) Floodplain Administrator. To serve as the *Floodplain Administrator*.
 - (7) Manufactured Home Park Administrator. To serve as the *Manufactured Home Park Administrator*.
 - (8) Watershed Administrator. To serve as the *Watershed Administrator*.
 - (9) Site Plan Review. To approve, approve conditionally or deny all minor *site plans*;
 - (10) Text Amendments. To initiate *text amendments* to this Chapter by submittal to the *Planning Director*.
 - (11) Map Amendments. To initiate *map amendments* to the Official Zoning Map.
 - (12) Sign Permits. To grant *sign* permits as authorized by this Chapter.
 - (13) Temporary Use Permits. To grant *temporary use* permits, administer the provisions of this Chapter related to *temporary use* permits and, at the discretion

of the *Zoning Administrator*, refer applications for *temporary use* permits to the Zoning Board of Adjustment for approval.

- (14) Zoning Permits. To grant *zoning permits* as authorized by this Chapter.
- (15) Zoning Compliance Inspections. To administer the provisions of this Chapter relating to *zoning compliance inspections*.
- (16) Variances. To review *variance* requests and make recommendations to the Zoning Board of Adjustment for final action thereon.
- (17) Statutory Vested Rights. To administer the provisions of this Chapter relating to Vested Rights for which he/she is the approving official.
- (18) Additional Powers and Duties. Such additional powers and duties as may be set forth for the *Zoning Administrator* elsewhere in this Chapter and in other laws and regulations.

§200A-275. Henderson County Communication Facilities Administrator

- A. Powers and Duties Pursuant to This Chapter. The *Communication Facilities Administrator* shall have the following duties with respect to this Chapter, to be carried out in accordance with the terms of this Chapter:
 - (1) Communication Facility Site Plan Review. To approve or deny all communication facility *site plans*.
 - (2) Communication Facility Permits. To grant *communication facility permits* as authorized by this Chapter.
 - (3) Additional Powers and Duties. Such additional powers and duties as may be set forth for the *Communication Facilities Administrator* elsewhere in this Chapter and in other laws and regulations.
- B. Appointment. The *Zoning Administrator* shall serve as the *Communication Facilities Administrator*.

§200A-276. Henderson County Floodplain Administrator

- A. Powers and Duties Pursuant to This Chapter. The *Floodplain Administrator* shall have the following duties with respect to this Chapter, to be carried out in accordance with the terms of this Chapter:
 - (1) Interpretation. To interpret the terms and provisions of this Chapter related to flood damage prevention.
 - (2) Enforcement. To enforce the provisions of this Chapter including properly investigating complaints from *persons* who allege that *violations* of this Chapter have occurred and initiating appropriate action as necessary to prevent, enjoin, abate or remove any *violations* found. The *Floodplain Administrator*, or his/her duly authorized representative, may enter any *building, structure* or premises, as provided by law, to perform any duty imposed upon him/her by this Chapter.
 - (3) Staff Support. To provide staff support to the Flood Damage Prevention Board.

- (4) Floodplain Development Permits. To grant *floodplain* development permits as authorized by this Chapter.
- (5) Special Fill Permits. To issue *special fill permits* as granted by the Board of Commissioners.
- (6) Variances. To review *floodplain* development *variance* requests and make recommendations to the Flood Damage Prevention Board for final action thereon.
- (7) Record of Floodplain Permits. To keep a record of all *floodplain* development permits (and related required local, state and federal permits) on file and available for public inspection during regular office hours of the *Floodplain Administrator*.
- (8) Records of Appeals. To maintain records of all *appeal* actions and report any *variances* to *FEMA* and the State of North Carolina upon request.
- (9) Maintenance of Maps. To maintain a current map repository to include, but not limited to, the FIS Report, *FIRM* and/or other official flood maps/studies adopted under this Chapter, including any revisions thereto including LOMA, issued by state and/or *FEMA* and notify state and *FEMA* of mapping needs.
- (10) Maintenance of Letters of Map Amendment. To maintain, in the *floodplain* development permit file, a copy of all Letters of Map Amendment (LOMAs) issued from *FEMA*.
- (11) Boundary Interpretation. To interpret, as needed, the exact location of boundaries of the *Special Flood Hazard Areas*.
- (12) Obtain, Review and Reasonably Utilize Data. To obtain, review and reasonably utilize any *Base Flood Elevation (BFE)* data, along with *floodway* data and/or *non-encroachment area* data available from a federal, state or other source, including data developed pursuant to this Chapter (when *BFE* data has not been provided) in accordance with this Chapter. Obtain, review and reasonably utilize any *floodway* data and/or *non-encroachment area* data available from a federal, state or other source (when *BFE* data is provided but no *floodway* nor *non-encroachment area* data has been provided) in accordance with this Chapter in order to administer the provisions of this Chapter.
- (13) Notification of Alteration/Relocation of Watercourse. To notify adjacent communities and the North Carolina Department of Crime Control and Public Safety, Division of Emergency Management, State Coordinator for the National Flood Insurance Program prior to any alteration or relocation of a *watercourse*, and submit evidence of such notification to *FEMA*.
- (14) Maintenance of Altered/Relocated Watercourse. To assure that maintenance is provided within the altered or relocated portion of *watercourses* so that the flood-carrying capacity is not diminished.
- (15) Stop Work Order. To issue stop-work orders as required.
- (16) Additional Powers and Duties. Such additional powers and duties as may be set forth for the *Floodplain Administrator* elsewhere in this Chapter and in other laws and regulations.

B. Appointment. The *Zoning Administrator* shall serve as the *Floodplain Administrator*.

§200A-277. Henderson County Manufactured Home Park Administrator

A. Powers and Duties Pursuant to This Chapter. The *Manufactured Home Park Administrator* shall have the following duties with respect to this Chapter, to be carried out in accordance with the terms of this Chapter:

- (1) Interpretation. To interpret the terms and provisions of this Chapter related to *manufactured home parks*.
- (2) Enforcement. To enforce the provisions of this Chapter including properly investigating complaints from *persons* who allege that *violations* of this Chapter have occurred and initiating appropriate action as necessary to prevent, enjoin, abate or remove any *violations* found. The *Manufactured Home Park Administrator*, or his/her duly authorized representative, may enter any *building, structure* or premises, as provided by law, to perform any duty imposed upon him/her by this Chapter.
- (3) Manufactured Home Park Site Plan Review. To review *manufactured home park site plans* and make recommendations to the Technical Review Committee for final action thereon;
- (4) Manufactured Home Park Construction Permits. To grant *manufactured home park construction permits* as authorized by this Chapter.
- (5) Manufactured Home Park Completion of Improvements Permits. To grant *manufactured home park completion of improvements permit* as authorized by this Chapter.
- (6) Additional Powers and Duties. Such additional powers and duties as may be set forth for the *Manufactured Home Park Administrator* elsewhere in this Chapter and in other laws and regulations.

B. Appointment. The *Zoning Administrator* shall serve as the *Manufactured Home Park Administrator*.

§200A-278. Henderson County Soil Erosion and Sedimentation Control Administrator

A. Powers and Duties Pursuant to This Chapter. The *Soil Erosion and Sedimentation Control Administrator* shall have the following duties with respect to this Chapter, to be carried out in accordance with the terms of this Chapter:

- (1) Interpretation. To interpret the terms and provisions of this Chapter related to *soil erosion and sedimentation control*.
- (2) Enforcement. To enforce the provisions of this Chapter including properly investigating complaints from *persons* who allege that *violations* of this Chapter have occurred and initiating appropriate action as necessary to prevent, enjoin, abate or remove any *violations* found. The *Soil Erosion and Sedimentation Control Administrator*, or his/her duly authorized representative, may enter any *building, structure* or premises, as provided by law, to perform any duty imposed upon him/her by this Chapter.

- (3) Erosion and Sedimentation Control Plan Review. To review and approve erosion and sedimentation control plans as authorized by this Chapter.
- (4) Erosion and Sedimentation Control Permits. To grant *erosion and sedimentation control permits* as authorized by this Chapter.
- (5) Civil Penalties. To assess civil penalties per violation as authorized by this Chapter.
- (6) Additional Powers and Duties. Such additional powers and duties as may be set forth for the *Soil Erosion and Sedimentation Administrator* elsewhere in this Chapter and in other laws and regulations.

§00A-279. Henderson County Watershed Administrator

A. Powers and Duties Pursuant to This Chapter. The *Watershed Administrator* shall have the following duties with respect to this Chapter, to be carried out in accordance with the terms of this Chapter:

- (1) Interpretation. To interpret the terms and provisions of this Chapter related to *water supply watershed* protection.
- (2) Enforcement. To enforce the provisions of this Chapter including properly investigating complaints from *persons* who allege that *violations* of this Chapter have occurred and initiating appropriate action as necessary to prevent, enjoin, abate or remove any *violations* found. The *Watershed Administrator*, or his/her duly authorized representative, may enter any *building, structure* or premises, as provided by law, to perform any duty imposed upon him/her by this Chapter.
- (3) Staff Support. To provide staff support to the Watershed Review Board.
- (4) Watershed Permits. To administer the provisions of this Chapter relating to *water supply watershed use* permits and *watershed* protection compliance permits.
- (5) Record of Watershed Permits. To keep a record of all permits on file and available for public inspection during regular office hours of the *Watershed Administrator*.
- (6) Watershed Compliance Inspections. To administer the provisions of this Chapter relating to *watershed* compliance inspections.
- (7) Bonuses and Allocations. To review requests for *natural drainage and filtering system* bonuses.
- (2) Special Intensity Allocations. To issue special intensity allocations.
- (8) Record of Special Intensity Allocations. To keep records of the jurisdiction's utilization of the special intensity allocation provision. Records for each *watershed* shall include the total acres of noncritical *watershed* area, total acres eligible to be developed under this option, total acres approved for this development option, and individual records for each project with the following information: location, total acres, built-upon acres and type of land use.
- (9) Calculation of Special Intensity Allocation. To calculate the acreage available for an *SIA* (by multiplying the eligible area of the *watershed* (in acres) by the factors

established in the categories as listed in §200A-318 (Special Intensity Allocation (SIA)), whereby no more than ten (10) percent may initially be established for *SIA* use.

- (10) Amendments to Water Supply Watershed Protection Regulations. To provide copies of all amendments to the *water supply watershed* protection regulations of this Chapter (upon adoption) to the Water Quality Section of the Division of Environmental Management.
- (11) Record of Water Supply Watershed Protection Amendments. To keep records of all amendments pertaining to *water supply watershed* protection.
- (12) Variance. To administer the provisions of this Chapter relating to *Watershed Variances*.
- (13) Record of Variances. To keep a record of *variances* to the sections of this Chapter dealing with *water supply watershed* protection. This record shall be submitted for each calendar year to the Water Quality Section of the North Carolina Division of Environmental Management on or before January 1 of the following calendar year and shall provide a description of each project receiving a *variance* and the reasons for granting the *variance*.
- (14) Additional Powers and Duties. Such additional powers and duties as may be set forth for the *Watershed Administrator* elsewhere in this Chapter and in other laws and regulations.

B. Appointment. The *Zoning Administrator* shall serve as the *Watershed Administrator*.

- §200A-280. **Reserved**
- §200A-281. **Reserved**
- §200A-282. **Reserved**
- §200A-283. **Reserved**
- §200A-284. **Reserved**
- §200A-285. **Henderson County Planning Director**

A. Powers and Duties Pursuant to This Chapter. The *Planning Director* shall have the following duties with respect to this Chapter, to be carried out in accordance with the terms of this Chapter:

- (1) Administrative Amendments. To initiate *administrative amendments* to the *Comprehensive Plan* and draft any *administrative amendment* proposed by any individual or agency.
- (2) Substantive Amendments. To initiate *substantive amendments* to the *Comprehensive Plan*.
- (3) Text Amendments. To initiate *text amendments* to this Chapter.
- (4) Map Amendments. To initiate *map amendments* to the Official Zoning Map.
- (5) Statutory Vested Rights. To administer the provisions of this Chapter relating to Vested Rights for which he/she is the approving official.

- (6) Staff Support. To provide staff support, reports and recommendations to the Planning Board and to the Board of Commissioners on planning and land development issues.
- (7) Membership on the Technical Review Committee. To serve as a member and Chair of the Technical Review Committee.
- (8) Subdivision Administrator. To serve as the *Subdivision Administrator*.
- (9) Maintenance of Official Copies. To maintain the official copy of the land development code, *zoning map*, *watershed* map and other such records and official materials as may relate to the adoption, amendment, enforcement or administration of this Chapter.
- (10) Additional Powers and Duties. Such additional powers and duties as may be set forth for the *Planning Director* elsewhere in this Chapter and in other laws and regulations.

§200A-286. Henderson County Subdivision Administrator

A. Powers and Duties Pursuant to This Chapter. The *Subdivision Administrator* shall have the following duties with respect to this Chapter, to be carried out in accordance with the terms of this Chapter:

- (1) Subdivision Applications. To review and process *subdivision* applications; and to approve, approve conditionally or deny applications for *subdivisions* for which he/she is the approving official.
- (2) Site Plan Review. To review major *site plans* and make recommendations to the Technical Review Committee for final action thereon.
- (3) Plat Review. To review *plats* and make recommendations to the appropriate reviewing agency for final action thereon.
- (4) Additional Powers and Duties. Such additional powers and duties as may be set forth for the *Subdivision Administrator* elsewhere in this Chapter and in other laws and regulations.

B. Appointment. The *Planning Director* shall serve as the *Subdivision Administrator*.

§200A-287. Reserved

§200A-288. Reserved

§200A-289. Reserved

§200A-290. Reserved

§200A-291. Reserved

ARTICLE XI REVIEW PROCESSES AND PROCEDURES

Subpart A. Site Plan Review and Approval

§200A-292. General

Site Plans shall contain all applicable information as required herein and shall adhere to the applicable review and approval process as outlined in this subpart. To lessen the time required to obtain all necessary approvals, the *Site Plan* approval processes may run concurrently with a *building* plan review, an application for a land-disturbing permit, or other applications for approvals required for the particular development. When a watershed development plan approval is required, that approval shall be a prerequisite to *Site Plan* approval. *Site Plans* are required where the individual consideration of design, configuration and/or operation of a *use* at a proposed site is/are necessary to ensure site appropriateness, compatibility with surrounding *uses* and the protection of the public health, safety and welfare.

§200A-293. Communication Facility Site Plan Review.

- A. Approval Authority. *Communication Facilities Administrator*.
- B. Staff Review. The *Communication Facilities Administrator* shall review the proposal and determine its completeness, finding that the regulations of this Chapter that set forth specific development standards (see SR 9.3 (Communication Facilities) and (§200A-312 (Category One (1) or Two (2) Communication Facility Permits) and §200A-313 (Category Three (3) Communication Facility Permits)) have been met.
- C. Permit Validity. The *Communication Facilities Administrator* or Zoning Board of Adjustment (*ZBA*) (as determined by facility category) shall grant the applicable *Communication Facility Permit*, in accordance with the process outlined in this section, only after review and approval of the *site plan*.

§200A-294. Manufactured Home Park (MHP) Site Plan Review

- A. Approval Authority. Technical Review Committee (*TRC*).
- B. Staff Review. All members of the *TRC* shall sign off on the proposal for approval. The *TRC* shall not approve a *site plan* unless it makes written findings that the regulations of this Chapter that set forth specific development standards have been met. The *TRC* shall take action within 30 days of reviewing the *site plan*.
 - (1) Approval. The proposal meets all requirements of this Chapter, and other statutes, ordinances and regulations of the County as submitted and is approved. If the *site plan* is approved by the *TRC* the *applicant* may proceed with other requirements necessary to obtain a building permit.
 - (2) Conditional Approval. The proposal exhibits only minor deficiencies with regard to this Chapter and other statutes, ordinances and regulations of the County and, after corrections have been made, can be approved. If the *site plan* is granted conditional approval by the *TRC* the *applicant* shall revise and resubmit the *site plan* to the *MHP Administrator*. The *MHP Administrator* shall review the revised

site plan and, if it meets the approval conditions and is otherwise substantially unaltered, shall signify on the plan the change from conditional approval to approval. The *MHP Administrator* has the right to resubmit the revised *site plan* to the *TRC* for complete review if deemed necessary. If the *site plan* is not revised within 60 days to meet the approval conditions, or the *applicant* notified the *MHP Administrator* of unwillingness to revise the *site plan*, it shall be deemed denied.

- (3) Denial. The proposal cannot be approved as it exhibits deficiencies and/or is not in compliance with this Chapter or other statutes, ordinances and regulations of the County which make it completely ineligible for revision and resubmittal. If the *TRC* denies the *site plan*, reasons for the denial shall be stated in writing.
- C. Permit Validity. The *MHP Administrator* shall grant *MHP* Construction Permits and *MHP* Completion of Improvement Permits only after *TRC* review and approval of the *site plan*. Minor changes to the location, siting or character of *manufactured homes* or other structures may be authorized by the *MHP Administrator* if required by engineering or other circumstances not foreseen at the time the *site plan* was approved, provided that such changes adhere to the requirements set forth in this Chapter. Where such changes are major (including proposed increases to the number of units or non-*accessory structures*), the *site plan* shall be resubmitted and reviewed by the *TRC*.

§200A-295. Minor Site Plan Review

- A. Approval Authority. *Zoning Administrator*.
- B. Staff Review. The *Zoning Administrator* shall review the proposal and determine its completeness, finding that the regulations of this Chapter that set forth specific development standards have been met.
- C. Permit Validity. The *Zoning Administrator* shall issue a *zoning permit* for minor *site plans*, in accordance with the process outlined in this Chapter (see §200A-323 (*Zoning Permits*)), only after review and approval of the *site plan*.

§200A-296. Major Site Plan Review

- A. Approval Authority. Technical Review Committee (*TRC*).
- B. Staff Review. The *Zoning Administrator* shall meet with *applicants* in a pre-application conference prior to, or at the time of *site plan* submittal to provide information to the *applicant* regarding the review process and assist in the preparation of the submittal. The *Zoning Administrator*, after receiving the *site plan*, shall: (1) review the plan, (2) determine its completeness, (3) schedule the matter for consideration by the *TRC*, (4) notify the *applicant* of the *TRC*'s scheduled time, and (5) prepare a recommendation on the *site plan*. All members of the *TRC* shall sign off on the application for approval. The *TRC* shall not approve a *site plan* unless it makes written findings that the regulations of this Chapter have been met. The *TRC* shall take action within 30 days of reviewing the *site plan*. Any approval or denial of the request must be in writing and be permanently filed in the office of the *TRC* as a public record.

- (1) Approval. The proposal meets all requirements of this Chapter and other statutes, ordinances and regulations of the County as submitted and is approved. If the *site*

plan is approved by the *TRC* the *applicant* may proceed with other requirements necessary to obtain a building permit.

- (2) Conditional Approval. The proposal exhibits only minor deficiencies with regard to this Chapter and other statutes, ordinances and regulations of the County and, after corrections have been made, can be approved. If the *site plan* is granted conditional approval by the *TRC* the *applicant* shall revise and resubmit the *site plan* to the *Zoning Administrator*. The *Zoning Administrator* shall review the revised *site plan* and, if it meets the approval conditions and is otherwise substantially unaltered, shall signify on the plan the change from conditional approval to approval. The *Zoning Administrator* has the right to resubmit the revised *site plan* to the *TRC* for complete review if deemed necessary. If the *site plan* is not revised within 60 days to meet the approval conditions, or the *applicant* notified the *Zoning Administrator* of unwillingness to revise the *site plan*, it shall be deemed denied.
- (3) Denial. The proposal cannot be approved as it exhibits deficiencies and/or is not in compliance with this Chapter or other statutes, ordinances and regulations of the County which make it completely ineligible for revision and resubmittal. If the *TRC* denies the *site plan*, reasons for the denial shall be stated in writing and the *site plan* may be revised and resubmitted.

C. Permit Validity. No permit shall be issued by the *TRC*; however, no permit for any *use* requiring a major *site plan* may be issued without proof of *TRC* review and approval.

§200A-297. Reserved

§200A-298. Reserved

§200A-299. Reserved

Subpart B. Soil Erosion and Sedimentation Control Plan Review and Approval

§200A-300. Soil Erosion and Sedimentation Control Plan Review and Approval (See §200A-221 (Erosion and Sedimentation Control Plans))

Subpart C. Subdivision Review and Approval

§200A-301. General

All *subdivision* applications, plans and *plats* shall contain all applicable information as required in this Subpart and shall adhere to the applicable review and approval process.

§200A-302. Review for Minor and Nonstandard Subdivisions

A. Approval Authority. *Subdivision Administrator*.

B. Application.

1. Application. Each *applicant* shall submit an application to the *Subdivision Administrator*. Applications may be modified by the *Subdivision Administrator* as necessary, who may require the *applicant* to supply additional information.

Development plans are required for *minor* or *phased minor subdivisions* where five (5) to ten (10) *lots* and new *right-of-way* are proposed. Development plans must be submitted to the *Subdivision Administrator* pursuant to §200A-75 (Minor Subdivisions). Where development plan review is not required the *applicant* shall submit a *final plat* in mylar form and a blue line copy of the *final plat* along with all application materials (see Article III (Subdivision Regulations)). The *final plat* must be prepared in conformance with the *final plat* requirements provided by the Planning Department, (§200A-307 (Final Plat Review)) and provisions of this Chapter.

2. Fees. Any application fee established by the Board of Commissioners shall be submitted with the application.
- C. Staff Review. The *Subdivision Administrator* shall review all *minor subdivisions*, *nonstandard subdivisions* and development plans (when applicable) in conformance with Article III (Subdivision Regulations). The *Subdivision Administrator* may refer any *minor subdivision* for review by the Planning Board in accordance with this Chapter.

§200A-303. Review for Major Residential Subdivisions and Conservation Subdivisions of Eleven (11) to Thirty-Four (34) Lots

- A. Approval Authority. Technical Review Committee (*TRC*).
- B. Application.
 1. Pre-application Conference. Each *applicant* shall meet with the *Subdivision Administrator* in a pre-application conference at least 15 days prior to the submission of any *major subdivision* application. The purposes of the conference are to: (1) acquaint the *applicant* with the application process, (2) review the sketch of the proposed development, (3) allow for the free exchange of information between the *applicant* and the *Subdivision Administrator*, (4) explore how the *applicant* intends to design the development, and (5) identify contemplated density levels, areas proposed for preservation and existing nature features on the property to be subdivided. The *applicant* should be prepared to discuss the development plans for the entire *tract* and any adjacent property under the same ownership. Each *applicant* shall bring to the pre-application conference a site analysis sketch which shall:
 - a. Be prepared based on aerial photography, visual observations and an on-site inspection of the *tract* and which may be prepared (at the *applicant's* request) with the general guidance of Planning Staff or professionally (although neither is required);
 - b. Be at a scale which is clearly legible and provides sufficient detail to describe the general location of proposed development and the stated features for discussion purposes; and
 - c. Identify (for the entire *tract*) the following features: streams, creeks, ponds, reservoirs, *floodplains*, *wetlands*, *steep slopes* (those greater than 25 percent), *unique natural areas*, rock outcroppings, farmland, pastureland and wooded/forested areas.

2. Applications. Applications, including all application materials, master plan(s) (see §200A-305 (Master Plans)) and/or development plan(s) (see §200A-306 (Development Plans)) shall be submitted on or before the deadline date required by the Planning Department for review at the *TRC* meeting. In the opinion of the *Subdivision Administrator*, if an application is incomplete, the *Subdivision Administrator* may return the application to the *applicant* identifying the specific omissions, without invoking the review time requirement. The *applicant* shall have the automatic right to withdraw the application at any time until the *applicant* has concluded comments regarding the project before the Planning Board.
 3. Fees. Any review fee established by the Board of Commissioners shall be submitted with the application.
- C. Staff Review. The *Subdivision Administrator* shall preliminarily review the application and schedule the matter for consideration by the *TRC* and notify (in writing) the *applicant* of that time. Formal review of the *subdivision* shall not begin until the *Subdivision Administrator* has verified that the application is complete. Such verification should, when possible, be made within three (3) business days of its receipt.
- D. Formal Review. The *Subdivision Administrator* shall prepare a recommendation on the application and supply a copy of the recommendation to the *applicant* before review by the *TRC*. All members of the *TRC* shall sign off on the application for approval. Any approval or denial of the request must be in writing and be permanently filed in the office of the *TRC* as a public record. The *TRC* shall take action within 30 days of reviewing the application. The *Subdivision Administrator* shall notify the *applicant* (in writing) of the decision by the *TRC* and any conditions imposed on the development within ten (10) business days of the decision. The *TRC* may take the following action when reviewing an application:
1. Approval. The proposal meets all requirements of this Chapter and other statutes, ordinances and regulations of the County as submitted and is approved.
 2. Conditional Approval. The proposal exhibits only minor deficiencies with regard to County regulations and other statutes, and is approved subject to the completion of certain conditions. If the plan is approved with conditions the Planning Staff is given administrative responsibility to grant formal approval upon satisfaction of imposed conditions. The *Subdivision Administrator* has the right to resubmit any revised master plan and/or development plan and subdivision application to the *TRC* for complete review if deemed necessary. If the application is granted conditional approval by the *TRC*, then said conditions must be met before a *final plat* can be approved, unless specified otherwise. If the master plan and/or development plan is not revised to meet the approval conditions, or the *applicant* notified the Planning Department of unwillingness to meet the conditions, it shall be deemed denied and a *final plat* cannot be approved.
 3. Denial. The proposal cannot be approved as it exhibits deficiencies and/or is not in compliance with this Chapter or other statutes, ordinances and regulations of

the County. If the *TRC* denies the application, reasons for the denial shall be provided (in writing) to the *applicant*.

- E. Public Notification. Public notification of the Planning Board meeting shall comply with the provisions outlined in §200A-333 B(3) (Posted Notice), for posted notices. Planning Staff shall be responsible for all necessary public notifications.
- F. Permit Validity. Development plan approval is valid for two (2) years and shall be annotated on the plan. The *TRC* may, for just cause, grant up to two (2) one-year extensions for development plan approval. If, at the completion of the first one-year extension period, less than 50 percent of improvements are complete, the *applicant* must reapply under the current applicable requirements. If more than 50 percent of improvements are complete after the one-year extension period, the *applicant* may apply for a single additional one-year extension and thereafter must reapply under current applicable requirements.

§00A-304. Review for Major Residential Subdivisions and Conservation Subdivisions of Thirty-Five (35) or More Lots and any Commercial, Office Institutional, Industrial or Mixed-Use Subdivisions

- A. Approval Authority. Planning Board.
- B. Application.
 - 1. Pre-application Conference. Each *applicant* shall meet with the *Subdivision Administrator* in a pre-application conference at least 15 days prior to the submission of any *major subdivision* application. The purposes of the conference are to: (1) acquaint the *applicant* with the application process, (2) review the sketch of the proposed development, (3) allow for the free exchange of information between the *applicant* and the *Subdivision Administrator*, (4) explore how the *applicant* intends to design the development, and (5) identify contemplated density levels, areas proposed for preservation and existing nature features on the property to be subdivided. The *applicant* should be prepared to discuss the development plans for the entire *tract* and any adjacent property under the same ownership. Each *applicant* shall bring to the pre-application conference a site analysis sketch which shall:
 - a. Be prepared based on aerial photography, visual observations and an on-site inspection of the *tract* and which may be prepared (at the *applicant's* request) with the general guidance of Planning Staff or professionally (although neither is required);
 - b. Be at a scale which is clearly legible and provides sufficient detail to describe the general location of proposed development and the stated features for discussion purposes; and
 - c. Identify (for the entire *tract*) the following features: streams, creeks, ponds, reservoirs, *floodplains*, *wetlands*, *steep slopes* (those greater than 25 percent), *unique natural areas*, rock outcroppings, farmland, pastureland and wooded/forested areas.

2. Application. Applications, including all application materials, master plan(s) (see §200A-305 (Master Plans)) and/or development plan(s) (see §200A-306 (Development Plans)) shall be submitted on or before the date required by the Planning Department for review at the next Planning Board meeting. In the opinion of the *Subdivision Administrator* if an application is incomplete, the *Subdivision Administrator* may return the application to the *applicant* identifying the specific omissions, without invoking the review time requirement.
 3. Fees. Any review fee established by the Board of Commissioners shall be submitted with the application.
- C. Staff Review. The *Subdivision Administrator* shall preliminarily review all application materials, master plan and/or development plan(s) and schedule the matter for consideration by the Planning Board and notify the *applicant* (in writing) of that time. The *Subdivision Administrator* should, upon receipt of a *subdivision* application, forward a copy to any review agency for information purposes or for comment. Formal review of the *subdivision* shall not begin until the *Subdivision Administrator* has verified that the application is complete. Such verification should, when possible, be made within three (3) business days of its receipt.
- D. Formal Review. The *Subdivision Administrator* shall prepare a recommendation on the application and supply a copy of the recommendation to the *applicant* before review by the Planning Board. The Planning Board shall take action within 60 days from the date of its first consideration of the application. The *Subdivision Administrator* shall notify the *applicant* (in writing) of the decision by the Planning Board and any conditions imposed on the development within ten (10) business days of the decision. The Planning Board may take the following action when reviewing an application:
1. Approval. The proposal meets all requirements of this Chapter and other statutes, ordinances and regulations of the County as submitted and is approved.
 2. Conditional Approval. The proposal exhibits only minor deficiencies with regard to County regulations and other statutes, and is approved subject to the completion of certain conditions. If the plan is approved with conditions the Planning Staff is given administrative responsibility to grant formal approval upon satisfaction of imposed conditions. The *Subdivision Administrator* has the right to resubmit the revised plan(s) to the Planning Board for complete review if deemed necessary. If the application is granted conditional approval by the Planning Board, then said conditions must be met before a *final plat* can be approved, unless specified otherwise. If the master plan and/or development plan are not revised to meet the approval conditions or the *applicant* notified the Planning Department of unwillingness to meet the conditions, it shall be deemed denied and a *final plat* cannot be approved.
 3. Denial. The proposal cannot be approved as it exhibits deficiencies and/or is not in compliance with this Chapter or other statutes, ordinances and regulations of the County.

- E. Public Notification. Public notification of the Planning Board meeting shall comply with the provisions outlined in §200A-333 B(3) (Posted Notice), for posted notices. Planning Staff shall be responsible for all necessary public notifications.

§200A-305. Master Plans

- A. Master plans must be prepared in conformance with this subpart and master plan requirements provided by the Planning Department. A master plan is required during review of all *major subdivisions*. The *applicant* shall submit four (4) full-sized copies and one reduced-sized copy of the master plan, all at a scale appropriate to clearly depict the proposed project. Reduced size copies should be legible and reproducible. If a reduced size copy of the plan (no larger than 11 inches by 17 inches in size) cannot be provided, at least 30 large copies shall be submitted in its place. The master plan may consist of multiple sheets, if needed. *Applicants* proposing single section or *phased subdivisions* may submit a combined master plan and development plan (“master/development plan”) that shall be prepared in conformance with this subpart and the requirements of a development plan provided by the Planning Department and Article III (Subdivision Regulations).
- B. The master plan is intended to provide general information about the proposed development to allow for an assessment of its impact on the orderly growth and development of the County, environmental quality, land values, natural features identified on the site analysis sketch and the County’s *roads* and governmental services. During review of the master plan for a *major subdivision* application, the reviewing agency shall take into consideration: (1) applicable recommendations of the *Comprehensive Plan*, (2) the potential *use* of the land to be subdivided and (3) the impact of the *subdivision* and proposed *use* whether residential, commercial or industrial.
- C. If during the development of the project, the master plan is revised to affect any of the following: increase the number of *building lots* to be created or units to be constructed; create a substantive change in the *subdivision* configuration, *road* layout, etc.; substantially change the *use* of any portion of the *tract*; develop or build in areas that were identified as features in the site analysis sketch (see Article III (Subdivision Regulations) and Article XI (Review Processes and Procedures) Subpart C (Subdivision Review and Approval)) and that were identified in the master plan as *open spaces* or *protected areas*, the *applicant* shall then submit a revised master plan for the reviewing agency to review in accordance with Article III (Subdivision Regulations) and the applicable review process as outlined in this subpart.

§200A-306. Development Plans

- A. Development plans must be prepared in conformance with this Chapter. Development plans are required during review of all *major subdivisions*. The development plan may be submitted for the entire *subdivision* or any section thereof. The *applicant* shall submit four (4) full-sized copies and one reduced-sized copy of the development plan, all at a scale appropriate to clearly depict the proposed project. Reduced size copies should be legible and reproducible. If a reduced size copy of the plan (no larger than 11 inches by 17 inches in size) cannot be provided, at least 30 large copies shall be submitted in its place. The development plan may consist of multiple sheets, if needed.

- B. A development plan is a graphic representation or map of the *tract* of land to be developed indicating all proposed divisions of land, their *uses*, improvements and other information as may be required to fully disclose the *applicant's* intentions. The purpose of the plan is to provide general and specific information and is not intended to be a recordable document.
- C. Upon approval of the master plan and the development plan of the first section of a *subdivision* by the reviewing agency, if successive sections are submitted for review (and (1) each substantially conforms with the master plan, (2) no new *lots* are created, and (3) all technical requirements and development standards have been met) the *Subdivision Administrator* may approve the development plans for all *major subdivisions* for successive sections administratively. Under such review, the action deadlines for the reviewing agency shall be the same for the *Subdivision Administrator*.
- D. The *applicant* may, only upon receipt of approval of the development plan proceed with the establishment of *erosion* and *sedimentation* control measures, clearing and other *land-disturbing activities* and improvement activities associated with the project.

§00A-307. Final Plat Review

- A. Final Plat Review for Minor and Nonstandard Subdivision.
 - (1) Approval Authority. *Subdivision Administrator*.
 - (2) Purpose. A *final plat* must be prepared and approved pursuant to this subpart and *final plat* requirements provided by the Planning Department, whenever a *subdivision* of land occurs.
 - (3) Staff Review. If the *subdivision* complies with the standards set forth herein the *Subdivision Administrator* shall provide approval in writing on the face of the *final plat* and shall retain a "blue line" copy for departmental records. Once the *plat* has been approved, the *final plat* must be recorded in a timely manner.
- B. Final Plat Review for All Major Subdivisions.
 - (1) Approval Authority. *Subdivision Administrator*.
 - (2) Purpose. A *final plat* must be prepared and approved pursuant to this subpart and *final plat* requirements provided by the Planning Department, whenever a *subdivision* of land occurs.
 - (3) Staff Review. The *Subdivision Administrator* shall review the *final plat* and determine its completeness, finding that the regulations of this Chapter that set forth specific standards have been met for *final plats*. The *Subdivision Administrator* shall review the *final plat* for conformance with all applicable standards and conformance to any associated master plans and development plans. The *final plat* may be approved administratively if the *plat* meets all requirements of the Chapter and satisfies all conditions imposed by the reviewing agency. Upon approval, and before any *lots* are transferred, the *applicant* shall record the *final plat* at the office of the Register of Deeds. Incidental changes to the *final plat*, which do not in any way affect the character of the development, may be submitted prior to, or after, recordation and may be approved for re-recordation by the *Subdivision Administrator*. No *lots* governed by this Chapter

may be conveyed until a *final plat* is approved and recorded in the office of the Register of Deeds of Henderson County.

Subpart D. Amendment Processes

§200A-308. General

Amendment requests/applications may run concurrently with permit applications, *site plan* review or other applications for approvals required for the particular development. Amendments to the *Comprehensive Plan* and this Chapter shall adhere to the applicable review and approval process as outlined in this Article.

§200A-309. Comprehensive Plan Amendments

- A. Purpose. The Comprehensive Plan Amendment process is designed to allow for: (1) regularly scheduled amendment evaluation; (2) consistency in how amendments are handled; (3) the consideration of the current plan and the proposed amendment to the plan concurrently, with an evaluation of the consequences of each; (4) the consideration of land *use* changes in a countywide context by simultaneous amendment review; (5) the separation of land *use* issues from specific zoning issues; (6) thorough staff and board analysis and evaluation; and (7) meaningful public input. All actions taken to amend, supplement, change or repeal the *Comprehensive Plan* shall follow the appropriate process as outlined below.
- B. Administrative Amendments.
- (1) Approval Authority. Board of Commissioners.
 - (2) Initiation. The Commissioners, County Manager, Planning Board and Planning Staff may submit *administrative amendments* to the *Planning Director*.
 - (3) Staff Review. The *Planning Director* drafts submitted amendments and provides them to the County Manager for review, consideration and action by the Commissioners.
 - (4) Review Schedule. As needed.
 - (5) Public Hearing. None required.
 - (6) Public Notification. None required.
 - (7) Amendment Validity. The amendment is effective immediately following the decision of the Commissioners.
- C. Substantive Amendments.
- (1) Approval Authority. Board of Commissioners
 - (2) Initiation. The Commissioners, County Manager, Planning Board and *Planning Director* may initiate *substantive amendments*.
 - (3) Review Schedule. Amendments shall be considered annually, and shall be reviewed based on the following:

- a. Interim Review, Small Area Plan Begun, not Yet Adopted. Where the site of a proposed rezoning or *special use* permit request is located in the area under study, the Planning Department will not initiate consideration of whether the site's current formally adopted land *use* classification should be changed to allow the proposed development, but encourage the landowner to participate in the development of the applicable *Small Area Plan*. If the landowner continues with the rezoning or *special use* permit request, review of *Comprehensive Plan* consistency will be based on the site's current or assumed classification (until the *Small Area Plan* is adopted).
 - b. Interim Review, Small Area Plan not Yet Begun. Where a proposed rezoning or *special use* permit request is located in the area scheduled for study, the Planning Department will initiate an ad hoc consideration of whether the site's current formally adopted land *use* classification should be changed. This process shall occur concurrently with the review process of the proposed rezoning or *special use* permit request.
 - c. Annual Review. The County will review amendment requests as submitted in January. Planning Staff assesses suggested revisions within the context of the plan as a whole, proposes plan amendments deemed appropriate to address them, and submits the proposed amendments to the Planning Board for review and recommendation to the Commissioners. The Commissioners hold a public hearing and decide whether to adopt the proposed amendments.
 - d. Five-Year Review. The *Comprehensive Plan* is subject to a review every five (5) years, with the first review scheduled after the last *Small Area Plan* is complete. Planning Staff prepares draft amendments and submits them to the Planning Board for initial review. Planning Staff distributes copies of the draft amendments widely, invites public comment, addresses received public comments and submits amendments as revised to the Planning Board for review and recommendation to the Commissioners. The Commissioners hold a public hearing on the proposed amendments, review and decide whether to adopt the amendments. If the Commissioners direct that further modifications to the proposed amendments be made, and such modifications are deemed by the Commissioners to be significant, the modified proposal shall be resubmitted to the Planning Board for further review and recommendation before the Commissioners take action.
- (4) Public Hearing. Prior to amending the *Comprehensive Plan* substantively, the Commissioners shall hold a public hearing on the amendment(s) in accordance with *NCGS* §153A-323, as amended (See §200A-333 (Legislative Process Standards)).
 - (5) Public Notification. Public notification of such hearing shall comply with the provisions of *NCGS* §153A-323 and §153A-343, as amended (See §200A-333

(Legislative Process Standards)). Planning Staff shall be responsible for all necessary public notifications.

- (6) Amendment Validity. The amendment is effective immediately following the decision of the Commissioners.

§200A-310. Ordinance Amendments

A. Purpose. The regulations, restrictions and boundaries set forth in this Chapter may from time to time be amended, supplemented, changed or repealed by the Board of Commissioners. Prior to final action by the Commissioners under this Chapter, the Planning Board shall review the amendment and offer any comments or recommendations as appropriate. All actions to amend, supplement, change or repeal this Chapter shall follow the appropriate process as outlined below.

B. Text Amendments.

- (1) Initiation. The Commissioners, Planning Board, Zoning Board of Adjustment (ZBA), Watershed Review Board and Flood Damage Prevention Board may initiate amendments to the text of this Chapter through adopted motion and submittal to the *Planning Director*. The County Manager, *Zoning Administrator*, *Planning Director*, or an affected owner of property in Henderson County may initiate an amendment to the text of this Chapter.
- (2) Application. Each *applicant* shall submit a copy of the proposed amendment which explains the purpose for the amendment to the *Planning Director*.
- (3) Staff Review. Planning Staff shall: (1) process and review the amendment request, (2) present the application to the Technical Review Committee (TRC) for its comments and recommendations, (3) forward the application on to the appropriate departments and agencies for their review, and (4) prepare a recommendation on the proposed amendment.
- (4) Formal Review. Prior to amending the text of this Chapter, the Commissioners shall consider the Planning Board's recommendation which must be in writing and must address consistency with the *Comprehensive Plan*.
- (5) Public Hearing. Prior to amending the text of this Chapter the Commissioners shall hold a public hearing on the amendment in accordance with NCGS §153A-323, as amended (See §200A-333 (Legislative Process Standards)).
- (6) Public Notification. Public notification of such hearing shall comply with the provisions of NCGS §153A-323 and §153A-343, as amended (See §200A-333 (Legislative Process Standards)). Planning Staff shall be responsible for all necessary public notifications.
- (7) Amendment Validity. The amendment is effective immediately following the decision of the Commissioners.

C. Map Amendments.

- (1) Initiation. The Commissioners, Planning Board, ZBA, Watershed Review Board and Flood Damage Prevention Board may initiate amendments to the Official Zoning Map through the adoption of a motion. The County Manager, *Planning*

Director, Zoning Administrator and any County Department Director/Head may initiate an amendment to the *zoning map*. A property owner may initiate an amendment to the Official Zoning Map on property that he/she owns, but may not initiate a *map amendment* on another individual's property without that property owner's consent.

(2) Application.

- a. Pre-application Conference. Each *applicant* for an amendment shall meet with Planning Staff in a pre-application conference no later than two (2) calendar weeks prior to the application submission deadline. The purposes of this conference are to provide information to the *applicant* regarding the review process and assist in the preparation of the application.
- b. Application. Each *applicant* for an amendment shall submit the application to the Planning Department on or before the first business day of the month. The application shall include: (1) the name(s) and address(es) of the owner(s) of the property in question; (2) the location of the property; (3) the *PIN* as shown on the County tax listing; (4) a description/statement of the present and proposed district; (5) a description of the property in question sufficient to unequivocally describe and identify said property (such description may take the form of a property survey, a legal description or a legible copy of a County cadastral or composite tax map clearly annotated with district lines which follow political boundaries, geographical features or property lines); and where an *applicant* chooses to appoint an agent to speak on their behalf, (6) an agent form. Planning Staff may modify applications as necessary. Incomplete applications must be resubmitted on or before the first business day of the month or will not be processed until the proceeding month.
- c. Review Schedule. Applications for amendments shall have a 45 day processing period for review by Planning Staff before the first consideration by the Planning Board. Applications involving more than one (1) parcel not under common ownership by the *applicant* shall be forwarded to the Planning Board at its first regularly scheduled monthly meeting. (The Planning Board will review the application and determine if it should proceed or, due to the size of the area, number of parcels or number of property owners, if the scope of the application will require a *Small Area Zoning Study*. If the Planning Board agrees that the application calls for a *Small Area Zoning Study*, then the application will be tabled and the request is forwarded to the Commissioners for direction on how to proceed with the amendment application).
- d. Withdrawal of Application. Each application for an amendment which is withdrawn by the *applicant* after the first newspaper notice appears, shall not be considered for a *map amendment* within the following six (6) months.
- e. Application Resubmittal.

- A. Resubmittal of Any Application. The Planning Board and the Commissioners will not consider an application (by a property owner or owner's agent) when, within the previous 12 months, the *map amendment* request was denied by the Commissioners.
 - B. Resubmittal of Application After Completion of a Small Area/Community Plan. Applications for *map amendments* located in an area that is currently undergoing or (within the previous 12 months) has completed a Small Area/Community Plan, shall not be considered by the Planning Board or the Commissioners unless the *Planning Director* initiates such application.
- f. Fees. Any review fee established by the Commissioners shall be submitted with the application.
- (3) Staff Review. Planning Staff: (1) shall process and review the amendment request, (2) shall present the application to the *TRC* for its comments and recommendations, (3) may forward the application to the appropriate departments and agencies for their review, and (4) shall prepare a recommendation on the proposed amendment.
 - (4) Formal Review. Prior to amending the Official Zoning Map, the Commissioners shall consider the Planning Board's recommendation which must be in writing and must address consistency with the *Comprehensive Plan*. The Planning Board shall have 45 days after the first consideration of an application for an amendment to submit its written recommendation to the Commissioners. Failure of the Planning Board to submit a written recommendation within the 45 day period shall constitute a favorable recommendation, except that, if by agreement of the Planning Board and the *applicant* that 45 days is insufficient due to the size of the area, the complexity of the request or similar circumstances, the Planning Board shall have 60 days to submit its written recommendations. Time limitations shall not be applied to applications for amendments initiated by the Commissioners.
 - (5) Public Hearing. Prior to amending the *zoning map* the Commissioners shall hold a public hearing on the amendment in accordance with *NCGS* §153A-323, as amended (See §200A-333 (Legislative Process Standards)).
 - (6) Public Notification. Public notification of the Planning Board meeting shall comply with the provisions outlined in §200A-333 B(3) (Posted Notice), for posted notices. Public notification of the Commissioners public hearing shall comply with the provisions of *NCGS* §153A-323 and §153A-343, as amended (See §200A-333 (Legislative Process Standards)). Planning Staff shall be responsible for all necessary public notifications.
 - (7) Amendment Validity. The amendment is effective immediately following the decision of the Commissioners. The Commissioners shall issue a written statement on all *map amendment* decisions (both adoptions and rejections) addressing reasonableness, consistency with the *Comprehensive Plan*, and public interests furthered.
- D. Water Supply Watershed Text and/or Map Amendments.

- (1) Initiation. The Commissioners may initiate amendments to the text of this Chapter related to the *watershed* and amendments to the *Watershed Map* through adopted motion and submittal to the *Planning Director*.
- (2) Application, Formal Review, Public Hearing and Public Notification. An amendment to the text of this Chapter related to the *water supply watershed* shall adhere to the review and approval process for *Text Amendments* (see §200A-310 subsection B (excluding (1) “Initiation”)). An amendment to the *watershed* map shall adhere to the review and approval process for *Map Amendments* (see §200A-310 subsection C (excluding (1) “Initiation”)). The Commissioners may incorporate the minimum requirements of the North Carolina Environmental Management Commission (*NCEMC*) into this Chapter without undertaking the official amendment processes; this may include identifying the boundaries of *watershed* districts proposed by the *NCEMC* on the Watershed Protection Map and may include *text amendments* necessary to conform to the minimum requirements of the *NCEMC*.
- (3) Amendment Validity. The Commissioners may not adopt any amendment, supplement, change or modification that is less stringent than the minimum requirements imposed by the *NCEMC* without approval of said Commission. The amendment is effective immediately following the decision of the Commissioners. All amendments must be filed with the North Carolina Division of Environmental Management, North Carolina Division of Environmental Health and the North Carolina Division of Community Assistance.

Subpart E. Permit Approval Processes

§200A-311. General

All permit applications shall include, at minimum: (1) the name(s) and address(es) of the owner(s) of the property in question; (2) the location of the property; (3) the *PIN* as shown on the County tax listing; (4) a description and/or statement of the present zoning district; (5) the appropriate level of *site plan*; and, where an *applicant* chooses to appoint an agent to speak on their behalf, (6) an agent form. Permit applications may run concurrently with *site plan* review, amendment requests or other applications for approvals required for the particular development. All permit applications shall adhere to the applicable review and approval process as outlined in this Article.

§200A-312. Category One (1) or Two (2) Communication Facility Permits

- A. Purpose. Category One (1), or Two (2) *Communication Facility Permits* are required for any construction, alteration or expansion of a communication facility of these categories.
- B. Permit Issuance. The *Communication Facilities Administrator* shall issue permits. No permit shall be issued until a communication facility *site plan* has been reviewed and approved by the *Communication Facilities Administrator*.
- C. Application.
 - (1) Pre-application Conference. Each *applicant* for a permit shall meet with the *Communication Facilities Administrator* in a pre-application conference prior to,

or at the time of, the submittal of a request for approval of the communication facility. The purposes of this conference are to provide information to the *applicant* regarding the review process and assist in the preparation of the application.

- (2) Application. Each application for a permit shall be submitted with a communication facility *site plan* to the *Communication Facilities Administrator*. The application shall be filed on a form provided by the *Communication Facilities Administrator*. Incomplete applications must be resubmitted within ten (10) business days or will not be processed until the following month. Applications may be modified by the *Communication Facilities Administrator* as necessary, who may require the *applicant* to supply additional information pertaining to the communication facility. Applications for a *Communication Facility Permit Three (3)* shall also include the following:
- a. Statement Regarding Accommodation of Additional Users. A statement which indicates the number of additional users the proposed facility will accommodate, as signed and sealed by an active, registered North Carolina Professional Engineer.
 - b. Statement Regarding Collocation. A written statement, by the *applicant*, which indicates willingness to allow future *collocations*, available at fair *market value*.
 - c. Evidence of Mailing of Notices of Intent. A document, submitted by the *applicant*, which shows that the *applicant* has sent required notices of intent to file an application for a *Communication Facility Permit Three (3)* to all owners of property immediately adjacent to the parcel containing the facility site and all owners of property within a 500 foot radius as measured from the facility site perimeter. *Mailed notices of intent* shall be mailed no fewer than ten (10) days and no more than 30 days prior to the date on which an application for a *Communication Facility Permit Three (3)* is filed. *Mailed notices of intent* shall include a: (1) vicinity map showing the proposed facility location; (2) sketch of the facility with dimensions which indicate the proposed tower type and height; and (3) statement from the *Communication Facilities Administrator* indicating the processes and procedures by which the communication facility may be permitted.
 - d. Evidence of Lack of Alternative Antenna Sites. A document, submitted by the *applicant*, which demonstrates that a reasonable effort has been made to collocate the proposed *antenna* on an existing communication facility/*alternative structure*, and that there are no feasible alternatives to constructing the proposed communication facility.
 - e. Evidence of Compliance with Regulations. Documentation, submitted by the *applicant*, which demonstrates compliance with all applicable state and federal statutes, ordinances and regulations which is satisfactory to the *Communication Facilities Administrator*.

- f. Easement Acquisition Documents. Statements of intent, submitted by the *applicant*, from adjacent property owners (where any portion of said property is within a distance of the tower height from the tower base) to grant an *easement* to the *applicant*.
- (3) Review Schedule. None established.
 - (4) Fees. Any review fee established by the Commissioners shall be submitted with the application.
- D. Staff Review. The *Communication Facilities Administrator* shall process all applications for a permit and approve, approve conditionally or deny the approval of the application within 15 business days from the date the application is filed. If the permit application is denied, the *Communication Facilities Administrator* shall notify the *applicant* in writing stating the reasons for denial.
 - E. Formal Review. None required.
 - F. Permit Validity. Upon the issuance of a permit, the communication facility will be issued a Communication Facility Registration Number. The *applicant* shall have six (6) months from the date of issuance thereon to obtain a building permit or begin substantial construction work on the project. Failure to obtain a building permit or make substantial construction progress within six (6) months shall render the permit void. The *Communication Facilities Administrator* may grant a single extension of this time period of up to six (6) months upon submittal by the *applicant* of sufficient justification for the extension.

§200A-313. Category Three (3) Communication Facility Permits

- A. Purpose. Category Three (3) *Communication Facility Permits* are required for any construction, alteration or expansion of a communication facility of this category.
- B. Permit Issuance. The Zoning Board of Adjustment (ZBA) shall grant the permit and the *Communication Facilities Administrator* shall issue permits. No permit shall be issued until a communication facility *site plan* has been reviewed and approved by the *Communication Facilities Administrator*. No *Communication Facility Permit Three (3)* shall be issued without the approval of the ZBA in accordance with the requirements and procedures set forth in this subsection.
- C. Application.
 - (1) Pre-application Conference. Each *applicant* for a permit shall meet with the *Communication Facilities Administrator* in a pre-application conference prior to, or at the time of, the submittal of a request for approval of the communication facility. The purposes of this conference are to provide information to the *applicant* regarding the review process and assist in the preparation of the application.
 - (2) Application. Each application for a permit shall be submitted along with the appropriate fee(s), *site plan*, statements, evidences and *easement* acquisition documents to the *Communication Facilities Administrator*. Applications shall also include the following:

- a. Statement Regarding Accommodation of Additional Users. A statement which indicates the number of additional users the proposed facility will accommodate, as signed and sealed by an active, registered North Carolina Professional Engineer.
- b. Statement Regarding Collocation. A written statement, by the *applicant*, which indicates willingness to allow future *collocations*, available at fair *market value*.
- c. Evidence of Mailing of Notices of Intent. A document, submitted by the *applicant*, which shows that the applicant has sent required notices of intent to file an application for a *Communication Facility Permit Three (3)* to all owners of property immediately adjacent to the parcel containing the facility site, and all owners of property within a 1,000 foot radius as measured from the facility site perimeter. *Mailed notices of intent* shall be mailed no fewer than ten (10) days and no more than 30 days prior to the date on which an application for a permit is filed. *Mailed notices of intent* shall include a: (1) vicinity map showing the proposed facility location; (2) sketch of the facility with dimensions which indicate the proposed tower type and height; and (3) statement from the *Communication Facilities Administrator* indicating the processes and procedures by which the communication facility may be permitted.
- d. Evidence of Lack of Alternative Antenna Sites. A document, submitted by the *applicant*, which demonstrates that a reasonable effort has been made to collocate the proposed *antenna* on an existing communication facility/*alternative structure*, and that there are no feasible alternatives to constructing the proposed communication facility.
- e. Evidence of Compliance with Regulations. Documentation, submitted by the *applicant*, which demonstrates compliance with all applicable state and federal statutes, ordinances and regulations which is satisfactory to the *Communication Facilities Administrator*.
- f. Easement Acquisition Documents. Statements of intent, submitted by the *applicant*, from adjacent property owners (where any portion of said property is within a distance of the tower height from the tower base) to grant an *easement* to the *applicant*.

Applications may be modified by the *Communication Facilities Administrator* as necessary, who may require the *applicant* to supply additional information pertaining to the communication facility.

- (3) Review Schedule. Applications for a permit shall have a 60 day processing period for notification requirements and review by the *Communication Facilities Administrator* prior to the public hearing.
- (4) Fees. Any review fee established by the Commissioners shall be submitted with the application.

- D. Staff Review. The *Communication Facilities Administrator* shall process and review all applications for a permit and prepare a staff recommendation for the ZBA on the permit application.
- E. Formal Review. Prior to taking any action on a permit, the ZBA shall consider the *Communication Facilities Administrator's* recommendation on the permit application.
- F. Public Hearing. Prior to considering a *communication facility permit* application the ZBA shall hold a public hearing on the application in accordance with §200A-334 (Quasi-Judicial Process Standards).
- G. Public Notification. Public notification of such hearing shall comply with the provisions of §200A-334 (Quasi-Judicial Process Standards). The *Communication Facilities Administrator* shall be responsible for all necessary public notifications.
- H. Quasi-judicial Proceeding. The concurring vote of a majority of the ZBA shall be necessary to grant the permit. The ZBA shall have 45 days within which to approve or deny the application.
- (1) Standards of Review. The ZBA shall not approve a permit unless it makes written findings that the regulations of this Chapter that set forth specific standards for the communication facility have been met. Any approval or denial of the request must be in writing and be permanently filed with the office of the ZBA and with the *Communication Facilities Administrator* as a public record.
 - (2) Conditions. The ZBA shall, in granting a permit, prescribe that required *easement* documents be recorded and copies of said recorded *easements* be submitted to the *Communication Facilities Administrator*.
- I. Permit Validity. Upon the approval of the ZBA and the submittal of recorded *easements*, the *Communication Facilities Administrator* may issue the permit and the required County Communication Facility Registration Number. The *applicant* shall have six (6) months from the date of issuance thereon to obtain a building permit or begin substantial construction work on the project. Failure to obtain a building permit or make substantial construction progress within six (6) months shall render the permit void. The *Communication Facilities Administrator* may grant a single extension of this time period of up to six (6) months upon submittal by the *applicant* of sufficient justification for the extension.
- (1) Permit Revocation. The *Communication Facilities Administrator* and/or ZBA may revoke a permit for *violations* of any part of this Chapter. Failure to secure and record any of the required *easements* shall be grounds for revocation. If the *Communication Facilities Administrator* finds a communication facility to be in *violation*, he/she shall notify the *applicant* in writing, stating the specific *violations* and setting reasonable time limits for corrective actions and subsequent inspections. In the event that the *applicant* takes no action to correct *violations*, the *Communication Facilities Administrator* shall notify him/her, by certified mail, that the permit will be revoked at the close of ten (10) business days from the date of the written notice. Should the *applicant* correct the *violations* prior to the permit being revoked, he shall request that the *Communication Facilities Administrator* conduct an inspection. If the *Communication Facilities*

Administrator finds that the communication facility is no longer in *violation*, he/she shall notify the *applicant* that the permit will continue to be valid. If the *violations* have not been remedied, the permit shall be revoked. Where use of a communication facility is discontinued, such notice of discontinuance shall be made in writing by the *applicant* and submitted to the *Communication Facilities Administrator*; further, where the *use* of the communication facility is discontinued for a 12 month period, such permit shall be revoked. Such revocation and the reasons for such shall be made in writing to the *applicant*.

- (2) Implications of Revoked Permit. Where a permit has been revoked:
- a. The operation of the communication facility shall be terminated, and the *use* may only be reinstated upon application as in the case of a new matter.
 - b. The *applicant* (facility owner/operator and/or site owner) shall not be allowed to *collocate* any additional communication facilities at that site, erect another communication facility or obtain any additional permits.
 - c. The facility owner/operator and/or site owner shall be jointly and severally responsible for the required removal of the communication facility within 180-days of receipt of written notification of *Communication Facility Permit Three (3)* revocation.

§200A-314. Manufactured Home Park (MHP) Construction Permits

- A. Purpose. *Manufactured Home Park (MHP)* Construction Permits are required for any construction, alteration or expansion of an *MHP*.
- B. Permit Issuance. The *MHP Administrator* shall issue the permit. No permit shall be issued until the *MHP Site Plan* has been reviewed and approved by the Technical Review Committee (*TRC*).
- C. Application.
 - (1) Pre-application Conference. Each *applicant* for a permit shall meet with the *MHP Administrator* in a pre-application conference prior to, or at the time of, the submittal of a request for approval of the *MHP*. The purposes of this conference are to provide information to the *applicant* regarding the review process and assist in the preparation of the application.
 - (2) Application. Each application for a permit shall be submitted along with the appropriate fee(s) and *site plan*, to the *MHP Administrator*. Applications may be modified by the *MHP Administrator* as necessary, who may require the *applicant* to supply additional information pertaining to the *MHP*.
 - (3) Review Schedule. Applications shall be submitted on or before the date required by the Planning Department for review of the *MHP Site Plan* at the meeting of the *TRC*.
 - (4) Fees. Any review fee established by the Commissioners shall be submitted with the application.
- D. Staff Review. Provided the *MHP Site Plan* is approved by the *TRC*, the *MHP Administrator* shall approve the application, noting any site improvements that must be

made prior to the issuance of an *MHP* Completion of Improvements (COI) Permit (see §200A-315 (MHP COI Permits)). Site improvements required prior to the issuance of a COI may include: *buffers, internal roads, vertical clearance on roads, driveways, parking, erosion and sedimentation controls, stormwater drainage, culverts, sewage disposal systems, water supply systems, fire protection, solid waste disposal areas, electrical hookup and/or MHP identification signs.*

- E. Formal Review. None required.
- F. Permit Validity. Upon the issuance of a permit, the *applicant* shall have two (2) years to complete construction of site improvements as stated in such permit for the *MHP* or *phase* thereof, except as otherwise noted below. The *MHP Administrator* may grant a single extension of this time period of up to six (6) months upon submittal by the *applicant* of sufficient justification for this extension.

§200A-315. Manufactured Home Park (MHP) Completion of Improvements (COI) Permits.

- A. Purpose. Completion of Improvements (COI) Permits are required for the leasing of spaces and/or the ability to obtain set-up and building permits for *manufactured/mobile homes* and other *structures* within a *Manufactured Home Park (MHP)*.
- B. Permit Issuance. The *MHP Administrator* shall issue the permit. No permit shall be issued until the *MHP Site Plan* (see §200A-294 (Manufactured Home Park Site Plan Review)) has been reviewed and approved by the Technical Review Committee (*TRC*) through the issuance of an *MHP* construction permit by the *MHP Administrator* (see §200A-314 (MHP Construction Permits)).
- C. Application
 - (1) Pre-Application Conference. None required.
 - (2) Application. Each application for a permit shall submit, along with the appropriate fee(s) and *site plan*, to the *Manufactured Home Park Administrator*. Applications shall additionally include one (1) as-built drawing (at a scale of one (1) inch equals 100 feet) of the completed *MHP* or *phase* thereof. Applications may be modified by the *MHP Administrator* as necessary, who may require the *applicant* to supply additional information pertaining to the *MHP*. If the application is found to be incomplete, the *MHP Administrator* shall notify the *applicant* of any deficiencies.
 - (3) Review Schedule. Applications shall only be accepted when site improvements for the *MHP* or *phase* thereof are complete and the *applicant* has provided evidence that property addresses have been assigned to each *manufactured/mobile home* and any other *structures*.
 - (4) Fees. Any review fee established by the Commissioners shall be submitted with the application.
- D. Staff Review. The *MHP Administrator* shall process and review all applications for the permit after submitted. The *MHP Administrator* shall: (1) make an inspection of the *MHP* to ensure compliance with this Chapter; (2) verify that required site improvements as listed on the *MHP* construction permit (see §200A-314 (MHP Construction Permits))

have been made; and, if the inspection shows the *MHP* adheres to those standards outlined in the *MHP Site Plan* and contains all site improvements required by the *MHP* construction permit, and (3) approve the application.

E. Formal Review. None required.

F. Permit Validity. Upon the issuance of a permit, the *applicant* shall have the ability to lease spaces and/or the ability to obtain set-up and building permits for *manufactured/mobile homes* and other *buildings* within the *MHP*. The permit may be reinstated if the *MHP applicant* applies to the *MHP Administrator* and the *MHP Administrator* finds that the *MHP* is in compliance with the requirements of this Chapter.

(1) Permit Revocation. The *MHP Administrator* may revoke a permit for *violations* of any part of this Chapter, except for those regulated by the Health, Inspections or Solid Waste Departments. In these cases, the *MHP Administrator* shall work with the other departments regarding the revocation of a permit. If the *MHP Administrator* finds a *MHP* to be in *violation*, he shall notify the *applicant* in writing, stating the specific *violations* and setting reasonable time limits for corrective actions and subsequent inspections. In the event that the *applicant* takes no action to correct *violations*, the *MHP Administrator* shall notify him/her, by certified mail, that the permit for the *MHP* will be revoked at the close of ten (10) business days from the date of the written notice. Should the *applicant* correct the *violations* prior to the permit being revoked, he shall request that the *MHP Administrator* conduct an inspection. If the *MHP Administrator* finds that the *MHP* is no longer in *violation*, he/she shall notify the *applicant* that the permit will continue to be valid. If the *violations* have not been remedied, the permit shall be revoked. Such revocation and the reasons for such shall be made in writing to the *MHP applicant*.

(2) Implications of Revoked Permit. Where a permit has been revoked, the *applicant* shall:

- a. Not rent or lease any vacant spaces until the *violations* have been corrected and the permit is reinstated; and
- b. Notify each renter/lessee of a space within the *MHP* within ten (10) days after receiving written notification that the permit has been revoked. The *applicant* shall provide the *MHP Administrator* with a signed statement from each renter/lessee indicating that notice from the *applicant* has been received. Any lease that is renewed after revocation of the permit shall be at the renter's/lessee's own risk.

§200A-316. Sign Permits

A. Purpose. Sign Permits are required for the erection, movement, *addition* to or structural alteration of any *sign* not exempt by this Chapter.

B. Permit Issuance. The *Zoning Administrator* shall issue the permit.

C. Application.

(1) Pre-application Conference. None required.

- (2) Application. Each application for a permit shall be filed on a form provided by the *Zoning Administrator*. Applications shall additionally include the following: (1) location of the *sign* on the *lot* in relation to the property lines and any existing or proposed *signs* or *structures*; (2) *sign* structural specifications; and (3) additional information needed to determine if the *sign* will be erected in conformance with this Chapter. Applications may be modified by the *Zoning Administrator* as necessary, who may require the *applicant* to supply additional information.
 - (3) Review Schedule. None established.
 - (4) Fees. Any review fee established by the Commissioners shall be submitted with the application.
- D. Staff Review. The *Zoning Administrator* shall process and review all applications for a permit. If the application is found to be incomplete, the *Zoning Administrator* shall notify the *applicant* of any deficiencies. The *Zoning Administrator* shall approve, approve conditionally or deny the approval of the application.
- E. Permit Validity. Upon the issuance of a permit, the *applicant* shall have six (6) months from the date of issuance thereon to begin erecting the *sign*. Failure to make construction progress within six (6) months shall render the permit void. The *Zoning Administrator* may grant a single extension of this time period of up to six (6) months upon submittal by the *applicant* of sufficient justification for the extension.

§200A-317. Soil Erosion and Sedimentation Control Permits (See §200A-221 (Erosion and Sedimentation Control Plans))

§200A-318. Special Intensity Allocation (SIA)

- A. Purpose. Special Intensity Allocation (*SIA*) is permitted on up to ten (10) percent of the total acreage within the balance of a WP-WS-II-BW Colt Creek and Mills River, WP-WS-III-BW Lower Mills River or a WP-WS-IV-PA Upper French Broad River watershed overlay sub-district. Acreage approved as a special intensity allocation may be developed with up to 70 percent *built-upon area*.
- B. Allocation Issuance. Any request for an *SIA* shall be granted by the *Watershed Administrator* or the Board of Commissioners.
- C. Application.
 - (1) Pre-application Conference. Each *applicant* for an *SIA* shall meet with the *Watershed Administrator* prior to, or at the time of, the submittal of an application. The purposes of this conference are to provide additional information regarding the review process and assist in the preparation of the application.
 - (2) Application. Each application for an *SIA* shall be submitted along with the appropriate fee(s) and *site plan* to the *Watershed Administrator*. Applications shall additionally show the following: minimized *built-upon surface area*, stormwater directed away from surface waters, and the incorporation of *best management practices* to minimize water quality impacts. Applications may be modified by the *Watershed Administrator* as necessary, who may require the *applicant* to supply additional information pertaining to the *SIA*.

- (3) Review Schedule. None established.
 - (4) Fees. Any review fee established by the Commissioners shall be submitted with the application.
- D. Staff/Formal Review. The *Watershed Administrator* shall process all applications for an *SIA* after submitted. The *Watershed Administrator* shall refer *SIAs* (when appropriate) as determined below, to the Commissioners.
- (1) Categories and Approval of Special Intensity Allocation. Upon receipt of a formal application and review of a development plan for conformance with the terms of this Chapter, the *Watershed Administrator* or the Commissioners, as appropriate, shall approve the *SIA*, provided that acreage is still available in the appropriate category below. Applications shall be made in one (1) of the following categories:
 - a. Category 1: Applications for Commercial, Office, Institutional, Industrial or Multifamily Residential Development. These applications shall be reviewed and approved by the *Watershed Administrator*. No more than six (6) percent of acreage within the balance of the *watershed* outside the *critical area* may be allocated for this category.
 - b. Category 2: Applications for Nonresidential Community Service Uses. Such *uses* include, but are not limited to: *schools, religious institutions, community centers, park facilities* and nonprofit agencies serving the immediate community. These applications shall be reviewed and approved by the *Watershed Administrator*. No more than two (2) percent of the acreage within the balance of the *watershed* outside the *critical area* may be allocated for this category.
 - c. Category 3: Applications for *Nonresidential Development*. Applications for *nonresidential development* that come in after the allocations in the other categories are exhausted, shall be reviewed by the Commissioners following a recommendation by the *Watershed Administrator*. Allocations from this category shall not be drawn upon unless the application cannot be approved under Category 1 or 2 due to exhaustion of acreage allocations. No more than two (2) percent of the acreage within the balance of the *watershed* outside of the *critical area* may be allocated from this category. The Commissioners may set any criteria under which allocations for this category may be drawn.
 - (2) Award of Special Intensity Allocation. *SIAs* shall be awarded in the order of applications received that are in compliance with all conditions of this Chapter. Project applications that are deemed to pose a threat to water quality and public health, safety and welfare shall not be awarded.
- E. Validity of Special Intensity Allocation. Upon the approval of an *SIA*, the *applicant* shall have six (6) months from the date of issuance thereon to obtain a building permit or begin substantial construction work on the project. Failure to obtain a building permit or make substantial construction progress within six (6) months shall render the *SIA* void. The approving authority (*Watershed Administrator* or the Commissioners) may grant a single extension of this time period of up to six (6) months upon submittal by the *applicant* of

sufficient justification for the extension via written request. Expiration of time limits stated herein shall require reapplication for an *SIA* under the provisions of this Chapter. An *SIA* may not be transferred to another parcel of land.

§200A-319. Special Use Permits

- A. Purpose. *Special Use* Permits are required where individual consideration of location, design, configuration and/or operation of a *use* at a proposed site are necessary to ensure site appropriateness, compatibility with surrounding *uses* and the protection of the public health, safety and welfare. Development standards shall be used as the basis for developing conditions for a permit; however, individualized conditions may also be imposed throughout the application process. Any *use* identified which requires a permit shall not be permitted without the approval of the Zoning Board of Adjustment (*ZBA*) in accordance with the requirements and procedures set forth in this subsection.
- B. Permit Issuance. The *ZBA* shall grant permits. The *Zoning Administrator* shall issue permits.
- C. Application.
- (1) Pre-application Conference. Each *applicant* for a permit shall meet with the *Zoning Administrator* in a pre-application conference no later than two (2) calendar weeks prior to the date the application is due. The purposes of this conference are to provide information to the *applicant* regarding the review process and assist in the preparation of the application.
 - (2) Application. Each application for a permit shall be submitted along with the appropriate fee(s) and *site plan*, to the *Zoning Administrator* on or before the first business day of the month. Applications may be modified by *Zoning Administrator* as necessary, who may require the *applicant* to supply additional information pertaining to the permit. Incomplete applications must be resubmitted on or before the first business day of the month or will not be processed until the following month.
 - (3) Review Schedule. Applications for a permit have a 60 day processing period for notification requirements and review by the *Zoning Administrator* and Technical Review Committee (*TRC*) prior to the public hearing.
 - (4) Fees. Any review fee established by the Board of Commissioners shall be submitted with the application.
- D. Staff Review. Code Enforcement Services Staff shall: (1) process and review all applications for a permit; (2) present the application to the *TRC* for its comments and recommendations; (3) forward the application on to the appropriate departments and agencies for their review; and (4) prepare a staff recommendation for the *ZBA* on the permit application.
- E. Formal Review. Prior to taking any action on a permit, the *ZBA* shall consider the *Zoning Administrator's* recommendation on the permit application.
- F. Public Hearing. Prior to considering a permit application the *ZBA* shall hold a public hearing on the application in accordance with §200A-334 (Quasi-Judicial Process Standards).

- G. Public Notification. Public notification of such hearing shall comply with the provisions of §200A-334 (Quasi-Judicial Process Standards). The *Zoning Administrator* shall be responsible for all necessary public notifications.
- H. Quasi-judicial Proceeding. The concurring vote of a simple majority of the *ZBA* shall be necessary to grant the permit. Vacant seats and disqualified members are not counted in computing the simple majority. Any approval or denial of the request must be in writing and be permanently filed with the office of the *ZBA* and with the *Zoning Administrator* as a public record.

(1) Standards of Review. The *ZBA* shall not approve a permit unless it makes written findings that the regulations of this Chapter that set forth specific standards for the *use* have been met. The *ZBA* may consider the type of *use*, size of the *use*, size of the property and other relevant factors in evaluating the permit application. The *applicant* will not bear the burden of proving that all of the site standards (as listed below) have been met; however, the *applicant* will be required to produce evidence sufficient to rebut any evidence presented that the site standards would not be met or that a condition is necessary. The *applicant* may be required, in his/her rebuttal, to show that the proposed *use* will:

- a. Not materially endanger the public health, safety or welfare;
- b. Not substantially injure the value of property or improvements in the area; and
- c. Be in harmony with the surrounding area.

Additionally the *applicant* may be required, in his/her rebuttal, to show that the proposed *use* shall be located and developed in such a manner as to:

- a. Comply with all applicable local, state and federal statutes, ordinances and regulations;
- b. Be in accordance with the *Comprehensive Plan*, Long Range Transportation Plans and Comprehensive Transportation Plans of the County and/or Long Range Transportation Plans and Comprehensive Transportation Plans of any municipality of the County;
- c. Minimize the effects of noise, glare, dust, solar access and odor on those *persons* residing or working in the *neighborhood* of the proposed *use*; and
- d. Minimize the environmental impacts on the *neighborhood* including the following groundwater, surface water, *wetlands*, endangered/threatened species, archeological sites, historic preservation sites and *unique natural areas*.

Finally, the *applicant* may be required, in his/her rebuttal, to show that satisfactory provision/arrangement has been made (where applicable or required) concerning:

- a. Ingress and egress to property and proposed *structures* thereon (with particular reference to automotive/pedestrian safety/convenience and traffic flow/control);

- b. Off-street parking and loading areas;
 - c. Utilities (with particular reference to locations, availability and compatibility):
 - d. Buffering and landscaping (with particular reference to type, location and dimensions); and
 - e. *Structures* (with particular reference to location, size and *use*).
- (2) Conditions. The *ZBA* may, in granting a permit, prescribe: (1) additional conditions; (2) additional safeguards; (3) a time limit within which the *use* shall be begun; and/or (4) a time limit within which a *use* shall be completed.
- I. Permit Validity. Upon the issuance of a permit a signed order detailing the conditions of the permit shall be submitted to the *Zoning Administrator*. The *Zoning Administrator* may then issue related permits.
- (1) Permit Revocation. The *Zoning Administrator* and/or *ZBA* may revoke a permit if, at any time after the issuance of the permit, it is found that the conditions imposed on/agreements made with the *applicant* have not been or are not being fulfilled by the holder of the permit.
 - (2) Implications of Revoked Permit. Where a permit has been revoked the operation of such *use* shall be terminated and the *use* may only be reinstated upon application as in the case of a new matter.

§00A-320. Temporary Use Permits

- A. Purpose. *Temporary Use* Permits are required for (1) the erection of any *structure* for temporary purposes and (2) the expansion of or change in any *use* for temporary purposes.
- B. Permit Issuance. The *Zoning Administrator* shall issue permits. All permits shall be issued in conformity with the provisions of this Chapter, except where the *Zoning Administrator* receives a written order from (1) the Zoning Board of Adjustment (*ZBA*) in the form of an interpretation involving error, *special use* or *variance*; or (2) the Board of Commissioners in the form of the issuance of approval for a vested right. A *Temporary Use* Permit must be issued prior to the issuance of a building permit, which shall comply with the *Temporary Use* Permit and all conditions of approval attached thereto.
- C. Application.
- (1) Pre-application Conference. None required.
 - (2) Application. Each application for a permit shall be filed on a form provided by the *Zoning Administrator*. Applications may be modified by the *Zoning Administrator* as necessary, who may require the *applicant* to supply additional information.
 - (3) Review Schedule. Applications for permits shall adhere to one (1) of two (2) review schedules based upon duration of the *temporary use*. The *Zoning Administrator* shall approve or deny a permit application: (1) within seven (7) business days for an application requesting duration of a *use* for no more than two

(2) weeks; or (2) within 15 business days on all applications requesting duration of a *use* for more than two (2) weeks.

(4) Fees. Any review fee established by the Commissioners shall be submitted with the application.

D. Staff Review. The *Zoning Administrator* shall process and review all applications for a permit. If the application is found to be incomplete, the *Zoning Administrator* shall notify the *applicant* of any deficiencies. Where the *Zoning Administrator* denies the permit, reasons for the denial shall be stated.

E. Permit Validity. Upon the issuance of a permit, the *applicant* will be allowed the *temporary use* for the specified length of time on the specified dates. Permits shall not be issued for any duration to exceed two (2) years.

§200A-321. Water Supply Watershed Use Permits

A. Purpose. *Water Supply Watershed Use Permits* are required for: (1) the erection, movement, additional or structural alteration of any *structure*, (2) the expansion of or change in any *use* and (3) the change of any land surface to an *impervious surface*.

B. Permit Issuance. The *Watershed Administrator* shall issue permits.

C. Application.

(1) Pre-application Conference. None required.

(2) Application. Each application for a permit shall be filed on a form provided by the *Watershed Administrator*. Applications may be modified by the *Watershed Administrator* as necessary, who may require the *applicant* to supply additional information.

(3) Review Schedule. None established.

(4) Fees. Any review fee established by the Board of Commissioners shall be submitted with the application.

D. Staff Review. The *Watershed Administrator* shall process and review all applications for a permit. If the application is found to be incomplete, the *Watershed Administrator* shall notify the *applicant* of any deficiencies. The *Watershed Administrator* may consult with qualified personnel for assistance to determine if the application meets the requirements of this Chapter. The *Watershed Administrator*, for projects not involving some other form of review, shall approve, approve conditionally or deny the approval of the application. Where the *Watershed Administrator* denies the permit, reasons for the denial shall be stated.

E. Permit Validity. Upon the issuance of a *Water Supply Watershed Use Permit*, the *applicant* shall have six (6) months from the date of issuance thereon to obtain a building permit. Failure to obtain a building permit within six (6) months shall render the *Water Supply Watershed Use Permit* void. The *Watershed Administrator* may grant a single extension of this time period of up to six (6) months upon submittal by the *applicant* of sufficient justification for the extension. A *Water Supply Watershed Use Permit* must be issued prior to the issuance of building permit, which shall comply with the *Water Supply Watershed Use Permit* and all conditions of approval attached thereto.

- (1) Revocation of Water Supply Watershed Use Permits. *Violations* of the sections of this Chapter relating to *water supply watershed* protection may also constitute grounds for revocation of *Water Supply Watershed Use Permits* if such *violations* are not corrected within 30 days following notification of such *violations*. No such permit shall be reinstated until the *Watershed Administrator* finds that all provisions of this Chapter relating to *water supply watershed* protection have been met. Any revocation may be appealed to the Commissioners if filed within 30 days of the effective date of the revocation. Following a hearing on the matter, the Commissioners may concur with the revocation or order the reinstatement of the permit.
- F. Appeals. Questions arising in connection with the enforcement of this Chapter shall be presented first to the *Watershed Administrator* and that such questions shall be presented to the *Water Supply Watershed Review Board* only on *appeal* from the *Watershed Administrator*.

§00A-322. Watershed Protection Compliance Permits

- A. Purpose. Watershed Protection Compliance Permits are required for the ability to obtain occupancy of a *structure* hereafter erected, altered or moved and/or prior to the change of *use* of any *structure* or land in the *watershed*. The *Watershed Administrator* shall issue a Watershed Protection Compliance Permit.
- B. Application.
- (1) Pre-Application Conference. No pre-application conference is required for a Watershed Protection Compliance Permit.
 - (2) Application. No formal application is required for a Watershed Protection Compliance Permit
 - (3) Review Schedule. Watershed protection compliance permit applications (where the *water supply watershed use* permit allowed for the erection, alteration or movement of a *structure*) will be approved or denied within ten (10) days of the erection, alteration or movement of said *structure* (upon the inspection by the *Watershed Administrator*). *Watershed* protection compliance permit applications (where the *water supply watershed use* permit allowed for a change of *use*) will be approved or denied before the commencement of the *use*.
 - (4) Fees. Any review fee established by the Board of Commissioners shall be submitted with the application.
- C. Staff Review. The *Watershed Administrator* shall process and review all applications for a Watershed Protection Compliance Permit (via the *water supply watershed use* permit process above). The *Watershed Administrator* shall issue a Watershed Protection Compliance Permit certifying that all requirements of this Chapter have been met. If the Watershed Protection Compliance Permit is denied, the *Watershed Administrator* shall notify the *applicant* in writing stating the reasons for denial.
- D. Permit Validity. Upon the issuance of a *Watershed* Protection Compliance Permit, the *applicant* shall have the ability to occupy and/or change the *use* of a *structure*. No

structure which has been erected, moved or altered may be occupied until the *Watershed Administrator* has approved and issued a Watershed Protection Compliance Permit.

- (1) Permit Revocation. *Violations* of the sections of this Chapter relating to *water supply watershed* protection may also constitute grounds for revocation of permits if such *violations* are not corrected within 30 days following notification of such *violations*. No such permit shall be reinstated until the *Watershed Administrator* finds that all provisions of this Chapter relating to *water supply watershed* protection have been met. Any revocation may be *appealed* to the Commissioners if filed within 30 days of the effective date of the revocation. Following a hearing on the matter, the Commissioners may concur with the revocation or order the reinstatement of the permit.

§200A-323. Zoning Permits

- A. Purpose. *Zoning Permits* are required for (1) the erection, movement, *addition* to or structural alteration of any *structure* and (2) the expansion of or change in any *use*.
- B. Permit Issuance. The *Zoning Administrator* shall issue permits. No *Zoning Permit* shall be issued until the appropriate *site plan* has been reviewed and approved by the appropriate staff or reviewing agency. All permits shall be issued in conformity with the provisions of this Chapter, except where the *Zoning Administrator* receives a written order from (1) the Zoning Board of Adjustment (ZBA) in the form of an interpretation involving error, *special use* or *variance*; or (2) the Board of Commissioners in the form of the issuance of approval for a vested right.
- C. Application.
 - (1) Pre-application Conference. None required.
 - (2) Application. Each application for a permit shall be filed on a form provided by the *Zoning Administrator*. Applications may be modified by the *Zoning Administrator* as necessary, who may require the *applicant* to supply additional information.
 - (3) Review Schedule. None established.
 - (4) Fees. Any review fee established by the Commissioners shall be submitted with the application.
- D. Staff Review. The *Zoning Administrator* shall process and review all applications for a permit. If the application is found to be incomplete, the *Zoning Administrator* shall notify the *applicant* of any deficiencies. The *Zoning Administrator*, for projects not involving some other form of review, shall approve, approve conditionally or deny the approval of the application. Where the *Zoning Administrator* denies the permit, reasons for the denial shall be stated. A *zoning permit* must be issued prior to the issuance of a building permit, which shall comply with the *zoning permit* and all conditions of approval attached thereto.
- E. Permit Validity. Upon the issuance of a permit, the *applicant* shall have six (6) months from the date of issuance thereon to obtain a building permit or begin substantial construction work on the project. Failure to obtain a building permit or make substantial construction progress within six (6) months shall render the permit void. The *Zoning*

Administrator may grant a single extension of this time period of up to six (6) months upon submittal by the *applicant* of sufficient justification for the extension.

§200A-324. Reserved

§200A-325. Reserved

§200A-326. Reserved

Subpart F. Vested Rights

§200A-327. General

All requests for a Vested Right shall include, at minimum: (1) the name(s) and address(es) of the owner(s) of the property in question; (2) the location of the property; (3) the *PIN* as shown on the County tax listing; (4) a description and/or statement of the present zoning district; (5) the appropriate level of *site plan*; and, where an *applicant* chooses to appoint an agent to speak on their behalf, (6) an agent form. All Vested Right requests shall adhere to the review and approval process as outlined in this subpart.

§200A-328. Vested Rights

- A. Purpose. A Vested Right is a right established pursuant to *NCGS* §153A-344.1 to undertake and complete the development and *use* of property under the terms and conditions of an approved *site-specific development plan*. Any request for a Vested Right shall be granted by the Zoning Board of Adjustment (*ZBA*) in accordance with the requirements and procedures set forth in this subsection.
- B. Application.
 - (1) Pre-application Conference. Each *applicant* for a Vested Right shall meet with the *Planning Director* prior to, or at the time of, the submittal of an application. The purposes of this conference are to provide additional information regarding the review process and assist in the preparation of the application.
 - (2) Application. Each application for a Vested Right shall be submitted along with the appropriate fee(s) and *site plan* to the Planning Department. Applications shall additionally include: (1) a letter indicating the intent to obtain a Vested Right for the particular *use* or development proposed and (2) a *site-specific development plan*. Applications may be modified by Planning Staff as necessary, who may require the *applicant* to supply additional information pertaining to the Vested Right.
 - (3) Review Schedule. Applications for a Vested Right have a 30 day processing period for notification requirements and review by Planning Staff (and, if necessary, the Technical Review Committee (*TRC*)) prior to the public hearing.
 - (4) Fees. Any review fee established by the Commissioners shall be submitted with the application.
- C. Staff Review. Planning Staff shall process and review all applications for a Vested Right. Planning Staff may present the application to the *TRC* for its comments and recommendations and may forward the application on to the appropriate departments and

agencies for their review. Planning Staff shall prepare a staff recommendation for the ZBA on the vested right application.

- D. Public Hearing. Prior to considering a vested right application the ZBA shall hold a public hearing on the application in accordance with §200A-334 (Quasi-Judicial Process Standards).
- E. Public Notification. Public notification of such hearing shall comply with the provisions of §200A-334 (Quasi-Judicial Process Standards). Planning Staff shall be responsible for all necessary public notifications.
- F. Quasi-Judicial Proceeding.
- (1) Standards of Review. The ZBA shall grant a Vested Right upon finding that all provisions of this Chapter are met in the proposed *use* or development plan and that the granting of the Vested Right does not materially endanger the public health, safety and welfare. The *Zoning Administrator* is directed to issue all required permits subject to the changes in the *site plan* (see §200A-328 subsection F(2)) to be made by the developer. A *variance* shall not constitute a *site-specific development plan* and approval of a *site-specific development plan* with the condition that a *variance* is obtained shall not confer a Vested Right unless and until the necessary *variance* is obtained.
 - (2) Conditions. The ZBA may approve a Vested Right request subject to conditions that are necessary to protect the public health, safety and welfare.
- G. Vested Right Validity. Upon the ZBA approving a *site-specific development plan*, there shall be a vest on such *site-specific development plan* for a period of two (2) years from the date of approval. A Vested Right shall confer upon the terms and conditions of the *site-specific development plan* as provided for in this section.
- (1) Vested Right Extension. The ZBA may approve a vesting period not to exceed five (5) years from the date of approval at the request of the landowner if it is found that the development cannot be secured within two (2) years because of the:
 - a. Size of the development,
 - b. Level of investment required, or
 - c. Current lack of, but potential future need for, the development.
 - (2) Vested Right Minor Modification. The *Zoning Administrator* may authorize minor modifications to the *site-specific development plan* provided that the changes in the plan do not change the basic relationship of the conditions set forth by the ZBA. Changes in detail that may be modified shall include, but not be limited to, the reduction in:
 - a. Square footage of *signs*,
 - b. Square footage of *buildings* and
 - c. The number of *buildings*.

Applications for a minor modification shall include a new *site-specific development plan* and a detailed description of the proposed changes. Each

applicant may *appeal* the decision of the *Zoning Administrator* regarding the Vested Right to the *ZBA*.

- (3) Vested Right Revocation. The *ZBA* may conclude forfeiture of a Vested Right previously recorded where there is failure to abide by the terms and conditions placed upon the original approval.

§200A-329. Common Law Vested Rights

- A. Purpose. A Common Law Vested Right is a right established by common law to undertake and complete the development and *use* of property based on substantial expenditures in good faith reliance on a valid governmental approval. Any request for a Common Law Vested Right will be reviewed and acted upon by the *Planning Director* in accordance with the requirements and procedures set forth in this subsection.
- B. Application. The *applicant* must provide proof of each of the following provisions:
 - (1) A valid governmental permit has been obtained for the specific project;
 - (2) The developer made a substantial expenditure in reliance upon the permit;
 - (3) The developer was acting in good faith; and
 - (4) The developer suffers harm if required to comply with the new rules.
- C. Staff Review. The *Planning Director* shall review the evidence submitted as proof demonstrating the existence of each of the four (4) provisions above. All of these provisions shall be met in order to approve a Common Law Vested Right.
- D. Appeals. An *appeal* of the *Planning Director's* determination of the existence of a Common Law Vested Right shall be heard in a quasi-judicial hearing conducted by the Zoning Board of Adjustment (*ZBA*).

Subpart G. Variances

§200A-330. General

All applications for a *Variance* shall include, at minimum: (1) the name(s) and address(es) of the owner(s) of the property in question; (2) the location of the property; (3) the *PIN* as shown on the County tax listing; (4) a description and/or statement of the present zoning district; (5) the appropriate level of *site plan*; and, where an *applicant* chooses to appoint an agent to speak on their behalf, (6) an agent form. All applications for a *variance* shall adhere to the applicable review and approval process as outlined in this Subpart.

§200A-331. Variances.

- A. Purpose. *Variances* are intended to provide limited relief from the requirements of this Chapter in those cases where the strict application of the provisions of this Chapter would result in unnecessary hardship. Any *use* which requires a *Variance* shall not be permitted without the approval of the Zoning Board of Adjustment (*ZBA*) in accordance with the requirements and procedures set forth in this section.

B. Application.

- (1) Pre-application Conference. Each *applicant* for a *Variance* shall meet with the *Zoning Administrator* in a pre-application conference no later than one (1) calendar week prior to the date the application is due. The purposes of this conference are to provide additional information regarding the review process and assistance in the preparation of the application.
- (2) Application. Each application for a *Variance* shall be submitted along with the appropriate fee and *site plan*, to the *Zoning Administrator* on or before the first business day of the month. Applications may be modified by the *Zoning Administrator* as necessary, who may require the *applicant* to supply additional information pertaining to the *Variance*. Incomplete applications must be resubmitted on or before the first business day of the month or will not be processed until the proceeding month.
- (3) Review Schedule. Applications for a *Variance* have a 45 day processing period for notification requirements and review by the *Zoning Administrator* (and, if necessary the Technical Review Committee (*TRC*)) prior to the public hearing.
- (4) Fees. Any review fee established by the Board of Commissioners shall be submitted with the application.

C. Staff Review. The *Zoning Administrator* shall process and review all applications for *Variances*. The *Zoning Administrator* may present the application to the *TRC* for its comments and recommendations and may forward the application on to the appropriate departments and agencies for their review. The *Zoning Administrator* shall also prepare a staff recommendation for the *ZBA* on the application for a *Variance*.

D. Formal Review. Prior to taking any action on a *Variance*, the *ZBA* shall consider the *Zoning Administrator's* recommendation on the *Variance*.

E. Public Hearing. Prior to considering a *variance* application the *ZBA* shall hold a public hearing on the application in accordance with §200A-334 (Quasi-Judicial Process Standards).

F. Public Notification. Public notification of such hearing shall comply with the provisions of §200A-334 (Quasi-Judicial Process Standards). Code Enforcement Services Staff shall be responsible for all necessary public notifications.

G. Quasi-Judicial Proceeding. The concurring vote of four-fifths (4/5) of the *ZBA* shall be necessary to grant a *Variance*. Any approval or denial of the request must be in writing and permanently filed with the office of the *ZBA* and with the *Zoning Administrator* as public record.

- (1) Standards of Review. The *ZBA* shall not grant a *Variance* the effect of which would be to: (1) allow the establishment of a *use* not otherwise permitted in a general *use district*, (2) extend physically a *nonconforming use* of land or (3) change the district boundaries shown on the Official Zoning Map. No *Variance* shall be granted or considered where the fact that the property could be used more profitably is the reason for the request for the *Variance*. The following written findings must be made in order for the *ZBA* to grant a *Variance*:

- a. There are practical difficulties or unnecessary hardships in carrying out the strict letter of this Chapter, as demonstrated by:
 1. The fact that, if the *applicant* complies with the literal terms of this Chapter, he/she cannot secure a reasonable return from, or make a reasonable *use* of, the property.
 2. The hardship of which the *applicant* complains results from unique circumstances related to the *applicant's* land.
 3. The hardship is not the result of the *applicant's* own action.
- b. The *Variance* is in harmony with the general purpose and intent of this Chapter and will preserve its spirit.
- c. The *Variance* will secure the *public safety* and welfare and will do substantial justice.
- d. The *Variance* shall not be based on the existence of a *nonconforming use* of neighboring land or *structures* in the same district, or permitted *nonconforming uses* in other districts, and shall in no way constitute a reason for the requested *Variance*.

(2) Conditions. The *ZBA* may, in granting a *Variance*, prescribe: (1) additional conditions; (2) additional safeguards; (3) a time limit within which the action for which a *Variance* is sought shall be begun; (4) a time limit within which the action for a *Variance* is sought shall be completed; and (5) a time duration within which construction, operation or installation shall commence on the project for which the *Variance* was obtained.

H. Variance Validity. Upon issuance of a *Variance*, the *applicant* shall have 12 months within which (unless otherwise specified by the *ZBA*) to commence construction, operation or installation. If construction, operation or installation is commenced within the specified time period the *Variance* shall continue in force as long as the *structure*, operations or installation remains.

(1) Variance Revocation. If construction or operation is not commenced within 12 months (or other specified time period), the *Variance* shall no longer be valid.

§00A-332. Variances (Watershed).

A. Purpose. *Watershed Variances* are intended to provide limited relief from the requirements of Article VIII Subpart B. *Water Supply Watershed Protection* in those cases where the strict application of the provisions of this Chapter would result in unnecessary hardship. Any *use* which requires a *Watershed Variance* shall not be permitted without the approval of the Watershed Review Board in accordance with the requirements and procedures set forth in this section.

B. Application.

(1) Pre-application Conference. Each *applicant* for a *Watershed Variance* shall meet with the *Watershed Administrator* in a pre-application conference no later than one (1) calendar week prior to the date the application is due. The purposes of this

conference are to provide additional information regarding the review process and assistance in the preparation of the application.

- (2) Application. Each application for a *Watershed Variance* shall be submitted along with the appropriate fee and *site plan*, to the *Watershed Administrator* on or before the first business day of the month. Applications may be modified by the *Watershed Administrator* as necessary, who may require the *applicant* to supply additional information pertaining to the *Watershed Variance*. Incomplete applications must be resubmitted on or before the first business day of the month or will not be processed until the proceeding month.
 - (3) Review Schedule. No formal review schedule is established for a *Watershed Variance* from Article VIII Subpart B. *Water Supply Watershed Protection*.
 - (4) Fees. Any review fee established by the Commissioners shall be submitted with the application.
- C. Staff Review. The *Watershed Administrator* shall process and review all applications for *Watershed Variances*. The *Watershed Administrator* shall notify in writing each *local government* having jurisdiction in the *watershed* of the *Watershed Variance* request, the notice for which shall include a description of the *Watershed Variance* being requested. *Local governments* receiving notice of the *Watershed Variance* request may submit comments to the *Watershed Administrator* prior to a decision by the Watershed Review Board. The *Watershed Administrator* shall prepare a staff recommendation for the Watershed Review Board on the application for a *Watershed Variance*.
- D. Formal Review. Prior to taking any action on a *Watershed Variance*, the Watershed Review Board shall consider the *Watershed Administrator's* recommendation on the *Watershed Variance*. Comments received from *local governments* (if applicable) shall become a part of the record of proceedings of the Watershed Review Board. The Watershed Review Board shall refuse to hear an application for a *Watershed Variance* previously denied if it finds that there have been no substantial changes in conditions or circumstances bearing on the *appeal* or application. The Watershed Review Board shall not grant a *Watershed Variance* without making the following three (3) findings, which shall be recorded in the permanent record of the case, and shall include the factual reasons on which they are based:
- (1) Finding One (1). There are practical difficulties or unnecessary hardships in the way of carrying out the strict letter of this Chapter, specifically Article VIII (Natural Resources) Subpart B. (Water Supply Watershed Protection). In order to determine that there are practical difficulties or unnecessary hardships, the Watershed Review Board must find that the following conditions exist:
 - a. If the *applicant* complies with the provisions of this Chapter, the *applicant* can secure no reasonable return from, nor make reasonable *use* of, his/her property. Merely proving that the *Watershed Variance* would permit a greater profit to be made from the property will not be considered adequate to justify the Watershed Review Board in granting a *Watershed Variance*. Moreover, the Watershed Review Board shall consider whether

- the *Watershed Variance* is the minimum possible deviation from the terms of this Chapter that will make possible the reasonable *use* of the property;
- b. The hardship results from the application of this Chapter to the property rather than from other factors, such as deed restrictions or other hardship;
 - c. The hardship is due to the physical nature of the *applicant's* property, such as its size, shape or topography, which is different from that of neighboring property;
 - d. The hardship is not the result of the actions of an *applicant* who knowingly or unknowingly violates this Chapter or who purchases the property after the effective date of this Chapter then comes to the Watershed Review Board for relief; and/or
 - e. The hardship is peculiar to the *applicant's* property, rather than the result of conditions that are widespread. If other properties are equally subject to the hardship created in the restriction, then granting a *Watershed Variance* would be a special privilege denied to others and would not promote equal justice.
- (2) Finding Two (2). The *Watershed Variance* is in harmony with the general purpose and intent of this Chapter, specifically Article VIII (Natural Resources) Subpart B (Water Supply Watershed Protection), and preserves its spirit.
- (3) Finding Three (3). In the granting of the *Watershed Variance*, the *public safety* and welfare have been assured and substantial justice has been done. The Watershed Review Board shall not grant a *Watershed Variance* if it finds that doing so would in any respect impair the public health, safety or general welfare.
- E. Environmental Management Commission Review. Where the application calls for the granting of a Major *Variance*, and if the Watershed Review Board decides in favor of granting the *Watershed Variance*, the Watershed Review Board shall prepare a preliminary record of the hearing with all deliberate speed. The preliminary record of the hearing shall include the: (1) *Watershed Variance* application; (2) hearing notices; (3) evidence presented; (4) motions, offers of proof, objections to evidence and rulings on them; (5) proposed findings and exceptions; and (6) proposed decision, including all conditions proposed to be added to the *Watershed Variance*. The preliminary record shall be sent to the Environmental Management Commission for its review as follows:
- (1) Situation One (1). If the Environmental Management Commission concludes from the preliminary record that the *Watershed Variance* qualifies as a Major *Variance* and that the property owner can secure no reasonable return from, nor make any practical *use* of, the property unless the proposed *Watershed Variance* is granted and that the *Watershed Variance*, if granted, will not result in a serious threat to the water supply, then the Environmental Management Commission may approve the *Watershed Variance* as proposed or approve the proposed *variance* with conditions and stipulations. The Environmental Management Commission will prepare a Commission decision and send it to the Watershed Review Board. If the Environmental Management Commission approves the *Watershed Variance* as proposed, the Watershed Review Board shall prepare a final decision granting the

proposed *Watershed Variance*. If the Commission approves the *variance* with conditions and stipulations, the Watershed Review Board shall prepare a final decision, including such conditions and stipulations, granting the proposed *Watershed Variance*.

- (2) Section Two (2). If the Commission concludes from the preliminary record that the *Watershed Variance* qualifies as a Major *Variance* and that the property owner can secure a reasonable return from or make a practical *use* of the property without the *Watershed Variance* or that the *Watershed Variance*, if granted, will result in a serious threat to the water supply, then the Commission may deny approval of the *Watershed Variance* as proposed. The Commission shall prepare a Commission decision and send it to the Watershed Review Board. The Watershed Review Board will prepare a final decision denying the *Watershed Variance* as proposed.
- F. Conditions. The Watershed Review Board may, in granting a *Watershed Variance*, prescribe: (1) additional conditions regarding the location, character and other features of the proposed *building, structure* or *use*; (2) additional safeguards; (3) a time limit within which the action for which a *Watershed Variance* is sought shall be begun; (4) a time limit within which the action for a *Watershed Variance* is sought shall be completed; and (5) a time duration within which construction, operation or installation shall commence on the project for which the *variance* was obtained. If a *Watershed Variance* for the construction, alteration or *use* of property is granted, such construction, alteration or *use* shall be in accordance with the approved *site plan*.
- G. Variance Validity. Upon issuance of a *Watershed Variance*, it shall then be considered as a *Water Supply Watershed Use Permit* (see §200A-321 (*WSW Use Permits*)), and shall adhere to the permit validity outlined therefore.

Subpart H. Legislative and Quasi-Judicial Process Standards

§200A-333. Legislative Process Standards

- A. Text Amendments and Comprehensive Plan Amendments
- (1) Public Hearing. Before adopting or amending any ordinance the Board of Commissioners shall hold a public hearing on the ordinance or amendment.
- (2) Newspaper Notice. In accordance with *NCGS 153A-323*, the Commissioners shall cause notice of such hearing to be published in a newspaper of general circulation in the County once a week for two (2) successive calendar weeks. The notice shall be published the first time not less than ten (10) days nor more than 25 days prior to the date fixed for the hearing. The notice shall include the time, place and date of the hearing and include a description of the property or the nature of the change or amendment to map. In computing such period, the day of publication is not to be included but the day of the hearing shall be included.
- B. Map Amendments.
- (1) Public Hearing. Before adopting or amending any ordinance the Board of Commissioners shall hold a public hearing on the ordinance or amendment.

- (2) Newspaper Notice. In accordance with *NCGS 153A-323*, the Commissioners shall cause notice of such hearing to be published in a newspaper of general circulation in the County once a week for two (2) successive calendar weeks. The notice shall be published the first time not less than ten (10) days nor more than 25 days prior to the date fixed for the hearing. The notice shall include the time, place and date of the hearing and include a description of the property or the nature of the change or amendment to map. In computing such period, the day of publication is not to be included but the day of the hearing shall be included.
- (3) Mailed Notice. In accordance with *NCGS 153A-343*, whenever there is a *zoning map amendment*, the owner of that parcel of land as shown on the County tax listing, and the owners of all parcels of land abutting that parcel of land as shown on the County tax listing, shall be mailed a notice of a public hearing on the proposed amendment by first class mail at the last addresses listed for such owners on the County tax abstracts. This notice must be deposited in the mail at least ten (10) but not more than 25 days prior to the date of the public hearing. The *person or persons* mailing such notices shall certify to the Commissioners that fact, and such certificate shall be deemed conclusive in the absence of fraud. The first class mail notice requirement shall not be required if the *zoning map amendment* directly affects more than 50 properties, owned by a total of at least 50 different property owners, and the County elects to *use* the Expanded Published Notice (see subsection (3)).
- (4) Expanded Published Notice. In accordance with *NCGS 153A-343*, and in that situation described above (see subsection (2)), the County may elect to publish once a week for two (2) successive calendar weeks in a newspaper having general circulation in the area an advertisement of the public hearing that shows the boundaries of the area affected by the proposed *zoning map amendment* and explains the nature of the proposed change. These advertisements shall comply with and be deemed to satisfy the provisions of *NCGS 153A-323* (subsection (1)). The advertisement shall not be less than one-half ($\frac{1}{2}$) of a newspaper page in size. The advertisement shall only be effective for property owners who reside in the area of general circulation of the newspaper which publishes the notice. Property owners who reside outside of the newspaper circulation area, according to the address listed on the most recent property tax listing for the affected property, shall be notified by first class mail pursuant to this section. The *person or persons* mailing the notices shall certify to the Commissioners that fact, and the certificates shall be deemed conclusive in the absence of fraud.
- (5) Posted Notice. In accordance with *NCGS 153A-343*, whenever there is a *zoning map amendment*, the County shall post one or more prominent *signs* on or immediately adjacent to the subject area reasonably calculated to give public notice of the proposed rezoning. In the event that more than one (1) parcel is involved in a particular *map amendment*, at least one (1) *sign* shall be posted in a central location; however, the Planning Staff may post multiple *signs*. Said *sign(s)* shall be posted at least ten (10) days prior to the public hearing date.

§200A-334. Quasi-Judicial Process Standards**A. Category Three (3) Communication Facility Permits, Special Use Permits, Vested Rights and Variances**

- (1) **Public Hearing.** Before taking any action, the appropriate Board (Board of Commissioners, Planning Board or Zoning Board of Adjustment) shall hold a public hearing (quasi-judicial) on the application, in accordance with the Board of Commissioners procedures for quasi-judicial hearings.
- (2) **Newspaper Notice.** The Board shall cause notice of such hearing to be published in a newspaper of general circulation in the County once a week for two (2) successive calendar weeks. The notice shall be published the first time not less than ten (10) days nor more than 25 days prior to the date fixed for the hearing. The notice shall include the time, place and date of the hearing and include a description of the property or the nature of the change or amendment to map. In computing such period, the day of publication is not to be included but the day of the hearing shall be included.
- (3) **Mailed Notice.** The owner of that parcel of land (related to the application) as shown on the County tax listing, and the owners of all parcels of land abutting that parcel of land as shown on the County tax listing, shall be mailed a notice of a public hearing on the proposed amendment by first class mail at the last addresses listed for such owners on the County tax abstracts. This notice must be deposited in the mail at least ten (10) but not more than 25 days prior to the date of the public hearing. The *person* or *persons* mailing such notices shall certify to the Commissioners that fact, and such certificate shall be deemed conclusive in the absence of fraud.
- (4) A member of the Board shall not participate in or vote on any quasi-judicial matter in a manner that would violate affected *persons'* constitutional rights to an impartial decision maker. Impermissible conflicts include, but are not limited to, a member having a fixed opinion prior to hearing the matter that is not susceptible to change, undisclosed *ex parte* communications, a close familial, business, or other associational relationship with an affected *person*, or a financial interest in the outcome of the matter. If an objection is raised to a member's participation and that member does not recuse himself or herself, the remaining members shall by majority vote rule on the objection.

§200A-335. Reserved**§200A-336. Reserved****§200A-337. Reserved****§200A-338. Reserved****§200A-339. Reserved**

ARTICLE XII

ENFORCEMENT, VIOLATIONS, AND APPEALS

§00A-340. Duties Regarding Enforcement

The *Zoning Administrator, Communication Facilities Administrator, Floodplain Administrator, Manufactured Home Park Administrator, Watershed Administrator, Planning Director, and Subdivision Administrator* are hereby authorized to enforce the provisions of this Chapter. These approving officials may enter any *building, structure* or premises as provided by law, to perform any duty imposed upon them by this Chapter.

§00A-341. Violations

Notices concerning *violations* of the provisions of this Chapter shall be provided to the *person(s)* alleged to be in *violation* in accordance with Chapter I, *General Provisions*, Article II, *Penalties and Enforcement* of the Henderson County Code.

- A. Notification. Upon making a determination that a *person* is in *violation* of this Chapter, the County shall issue a compliance order to the *person in violation* of this Chapter which shall notify the violator of the *violation* in writing. Such compliance order (notification of *violation*) shall:
- (1) Identify the circumstances giving rise to the *violation*, including the times, dates and places of the *violation*;
 - (2) Identify the action(s) necessary to comply with this Chapter;
 - (3) State that the violator shall comply within a reasonable time, not to exceed 15 days, or be subjected to a civil penalty (except where circumstances exist such that the violator cannot come into compliance within 15 days, and at which time the County may grant an extension of time commensurate with the magnitude of the *violation*);
 - (4) State that failure to comply with the terms of the compliance order will subject the violator to a civil penalty; and
 - (5) State the amount of applicable civil penalty.
- B. Failure to Comply. Failure to comply with the terms of a compliance order within the time stated in the order shall subject the violator to a civil penalty of 50 dollars. Each day that the *violation* continues shall be considered a separate offense and the violator may be subject to an additional civil penalty for each such separate offense.
- C. Penalties and Remedies. Penalties and remedies for *persons* found to be in *violation* of this Chapter shall be as set forth in Chapter I, *General Provisions*, Article II, *Penalties and Enforcement* of the Henderson County Code. Such penalties and remedies shall include:
- (1) Civil Action. When necessary to collect any civil penalty or accrued civil penalties, a civil action may be instituted against an individual for the collection of all accrued penalties.

- (2) Equitable Remedies. This Chapter may be enforced by equitable remedies, and any unlawful condition existing in *violation* of this Chapter may be enforced by injunction and order of abatement in accordance with *NCGS* §153A-123.
- (3) Injunction. Where necessary to effect compliance with this Chapter, the County may institute an action in a court of competent jurisdiction seeking an injunction against the further *violation* of this Chapter. Such action may be joined with a civil action instituted to collect accrued civil penalties in accordance with the provisions above.
- (4) Order of Abatement. Where necessary to abate a condition existing upon land in *violation* of this Chapter or a *use* made of land in *violation* of this Chapter, the County may institute an action in a court of competent jurisdiction seeking an order of abatement of the *use* or condition of land in *violation* of this Chapter. Such action may be joined to an action for an injunction and/or an action to recover civil penalties accrued against an individual for the *use* or condition of land in *violation* of this Chapter.
- (5) Stop-Work Order. If any *building* or *structure* is erected, constructed, repaired, converted, or maintained or any *building*, *structure* or land is used in violation of the Henderson County Code, the *Zoning Administrator* or any other appropriate authority may institute a stop-work order if further action by the violator would cause irreparable harm or damage. Once a stop-work order has been issued, no work may be done on the *structure* or property until authorized by Henderson County Code Enforcement Services or a court of appropriate jurisdiction.
- (6) Other Equitable Remedies. This Chapter may be enforced by any other equitable remedy which a court of competent jurisdiction deems just and proper.

§200A-342. Appeals

Questions arising in connection with the enforcement of this Chapter shall be presented first to the approving official or agency and shall be presented to the appellate agency only on *appeal* from the approving official or agency (See Table 12.1). *Appeals* must be filed 30 days from the date of the decision.

Table 12.1 Approving Agency and Associated Appellate Body		
Type of Agency	Approving Official or Agency for the Application or Appeal	Appellate Body
Staff	<i>Communication Facilities Administrator</i>	Zoning Board of Adjustment
	<i>Floodplain Administrator</i>	Flood Damage Prevention Board
	<i>Manufactured Home Park Administrator</i>	Zoning Board of Adjustment
	<i>Planning Director</i>	Zoning Board of Adjustment
	<i>Soil Erosion and Sedimentation Control Administrator</i>	Zoning Board of Adjustment
	<i>Subdivision Administrator</i>	Zoning Board of Adjustment
	<i>Watershed Administrator</i>	Water Supply Watershed Review Board*
	<i>Zoning Administrator</i>	Zoning Board of Adjustment
Committee	Technical Review Committee	Zoning Board of Adjustment
Board	Board of Commissioners	Appellate Court
	Flood Damage Prevention Board	Appellate Court
	Planning Board	Zoning Board of Adjustment
	Water Supply Watershed Review Board	Appellate Court
	Zoning Board of Adjustment	Appellate Court

* Where a permit revocation occurs, the Board of Commissioners shall be the appellate agency.

§00A-343. Reserved

§00A-344. Reserved

§00A-345. Reserved

DRAFT

ARTICLE XIII
LEGAL STATUS

§200A-346. Conflict with Other Laws

When sections of this Chapter impose higher standards than required in any other statute, local ordinance or regulation, this Chapter shall govern. When the provisions of any other statute, local ordinance or regulation imposes higher standards than are required by this Chapter, the provision of that statute, local ordinance or regulation shall govern.

§200A-347. Severability of Parts of Code

It is hereby declared to be the intention of the Board of Commissioners that the sections, paragraphs, sentences, clauses and phrases of this Chapter are severable, and if any phrase, clause, sentence, paragraph or section of this Chapter shall be declared unconstitutional by the valid judgment or decree of any court of competent jurisdiction, such unconstitutionality shall not affect any of the remaining phrases, clauses, sentences, paragraphs and sections of this Chapter, since the same would have been enacted by the Board of Commissioners without the incorporation in this Chapter of any such unconstitutional phrase, clause, sentence, paragraph or section.

§200A-348. Repeal of Existing Zoning.

All ordinances, or portions thereof, of the Code of Ordinances of Henderson County, North Carolina which are related to zoning, subdivision and land use which are inconsistent with the provisions of the Chapter are hereby repealed to the extent of such inconsistency.

§200A-349. Reserved

§200A-350. Reserved

§200A-351. Reserved

§200A-352. Reserved

§200A-353. Reserved

DRAFT

ARTICLE XIV DEFINITIONS

§00A-354. Definitions

The following definitions shall apply to this Chapter.

ABC. Aggregate Base Course.

Accelerated Erosion. Any increase over the rate of *natural erosion* as a result of *land-disturbing activity*.

Access Control Device. Equipment and/or machinery that opens and closes an *entry gate* (See Chapter 89 of the Henderson County Code, *Entry Gates*).

Accommodation. A portion of a *building* providing complete and permanent living facilities for one (1) family.

Adequate Erosion Control Measure, Structure, or Device. One which controls the soil material within the land area under responsible control of the *person* conducting the *land-disturbing activity*.

Adequate Lighting. (See *Lighting, Adequate*).

Addition. An extension or increase in the *floor area* or height of an existing *building* or *structure*.

Administrative Amendment. (See *Amendment, Administrative*).

Administrator, Communication Facilities. The individual (*Zoning Administrator* or his/her designee) appointed and authorized to administer and enforce the communication facilities regulations under the terms and conditions of this Chapter.

Administrator, Floodplain. The individual (*Zoning Administrator* or his/her designee) appointed and authorized to administer and enforce the *floodplain* regulations under the terms and conditions of this Chapter.

Administrator, Manufactured Home Park. The individual (*Zoning Administrator* or his/her designee) appointed and authorized to administer and enforce the *manufactured home park* regulations under the terms and conditions of this Chapter.

Administrator, Soil Erosion and Sedimentation Control. The Henderson County authorized *person* or his/her designee responsible for the County's Erosion and Sediment Control Program.

Administrator, Subdivision. The individual (*Planning Director* or his/her designee) appointed and authorized to administer and enforce the *subdivision* regulations under the terms and conditions of this Chapter.

Administrator, Zoning. The individual appointed and authorized to administer and enforce various regulations under the terms and conditions of this Chapter.

Administrator, Watershed. The individual (*Zoning Administrator* or his/her designee) appointed and authorized to administer and enforce those regulations related to *water supply watershed* protection under the terms and conditions of this Chapter.

Adult Book and Retail Merchandise Store. An establishment or business that sells merchandise that is conducted exclusively for the patronage of adults and that excludes minors from patronage, either by operation of law or by the owners of the business, except any business licensed under this Chapter which is devoted to adult material, including but not limited to one or more of the following: (1) books, magazines, periodicals or other printed matter; (2) photographs, films, motion pictures, video cassettes, video reproductions, slides or other visual representations that depict or describe specified sexual activities or specified anatomical areas; or (3) instruments, devices or paraphernalia that are designed for use in connection with specified sexual activities.

Adult Care Home. An *assisted living residence* in which the housing management provides 24 hour scheduled and unscheduled personal care services to residents, either directly or, for scheduled needs, through formal written agreement with licensed home care or hospice agencies. Some licensed adult care homes provide supervision to persons with cognitive impairments whose decisions, if made independently, may jeopardize the safety or well-being of themselves or others and therefore require supervision. Medication in an adult care home may be administered by designated, trained staff. Adult care homes that provide care to two (2) to six (6) unrelated residents are commonly called family care homes (*NCGS §131D-2 (a)(1b)*).

Adult Day Care Facility. The provision of group care and supervision in a place other than their usual place of abode on a less than 24-hour basis to adults who may be physically or mentally disabled as inspected and certified by the Department of Health and Human Services (*NCGS §131D-6(b)*). Adult day care facilities do not include *senior centers*.

Adult Theatre and Live Entertainment. Any establishment or business that is conducted exclusively for the entertainment and patronage of adults and that excludes minors from patronage, either by operation of law or by the owners of the business. Such establishments that would be considered adult entertainment include, but may not be limited to, an adult escort agency, adult nightclub/bar, adult motion-picture theater, adult mini-motion-picture theater or adult live entertainment business as each is defined in *NCGS §14-202.10*. This definition does not include bona-fide massage parlors or adult book and/or retail merchandise stores.

Affiliate. A *person* that directly, or indirectly through one or more intermediaries, controls, is controlled by, or is under common control of another *person*.

Agriculture. The *use* of land for the tilling of soil; the growing of crops or plants, including truck farming, field crops, vegetables, fruit, nut, sod, seed or *tree* production; other farming practices, including but not limited to plastic culture; pasturage, including pasture for cattle, horse, sheep, goats and other farm animals; *forestry* (silviculture); other forms of food and fiber grown for human and/or animal consumption; greenhouses, nurseries and ornamental horticulture; the raising, breeding, working and use of farm animals; aquaculture; beekeeping; associated processing and packing of agricultural commodities; the use of waters for stock watering, irrigation and other farm purposes; and, the permitted construction or maintenance of *agriculture*-related water diversion *structures*, including dikes, levies and ditches.

Airport (Private). Any area of land or water which is used or intended for use for the landing and taking off of privately owned fixed-wing and rotary-wing aircraft on a noncommercial basis. This does not include the regular repair, fueling and/or maintenance of aircraft and the sale of goods or materials to users of such aircraft.

Airport (Public). Any area of land or water which is used or intended for use for the landing and taking off of fixed-wing and rotary-wing aircraft, and any appurtenant areas used for *structures/facilities/rights-of-way*, including all necessary taxiways, aircraft storage areas, tie-down areas, hangars, and other associated *buildings* and open spaces. This *use* may include the regular repair, fueling and/or maintenance of aircraft and the sale of goods or materials to users of such aircraft.

Alley. A public way which affords only a secondary means of access to an abutting property and is not intended for general traffic circulation.

Amateur Radio. For the purpose of this Chapter, a wireless communications operation will only be considered amateur radio if permitted by the Federal Communications Commission as such.

Ambulance Services. An establishment primarily engaged in providing transportation of patients by ground or air, along with medical care. These services are often provided during a medical emergency but are not restricted to emergencies. *Vehicles* are equipped with lifesaving equipment operated by medically trained personnel.

Amendment, Administrative. An amendment which does not change the meaning or intent of the *Comprehensive Plan*, but instead corrects errors of a technical or clerical nature, perhaps involving the addition of explanatory materials and graphics, or calling for the correction of typographical errors.

Amendment, Map. An amendment that changes the “Official Zoning Map of Henderson County” in accordance with the processes outlined by *NCGS*.

Amendment, Substantive. An amendment that changes the meaning or intent of the *Comprehensive Plan*, and likely involves a lengthy review process in order to fully assess the impact(s) of proposed amendments on the *Comprehensive Plan’s* assumptions, principles, goals, objectives, recommendations and action steps.

Amendment, Text. An amendment that changes the text of this Chapter, the “Land Development Code of Henderson County” in accordance with the processes outlined in the *NCGS*.

Amendment, Water Supply Watershed Text and/or Map. A *text or map amendment*, as defined, but which, because it includes a change to the *water supply watershed* text and/or map, must also adhere to additional processes as outlined by the North Carolina Environmental Management Commission.

Amusement Park. A commercially operated park composed primarily of amusement rides (mechanical, aquatic or other device/attraction that carries passengers over a fixed or restricted area, primarily for the passengers’ amusement), coin operated amusements, miniature golf, batting cages, go-cart tracks, skateboard facilities, food/beverage services and the like. This definition excludes motor sports facilities, botanical gardens and zoological gardens.

Animal Shelter. A designated facility, operated and maintained by the County or another organization for the purpose of impounding animals under the authority of Chapter 66A of the Henderson County Code, *Animal* or *NCGS* for care, confinement, return to owner, adoption or euthanasia.

Antenna. An exterior transmitting or receiving device which radiates or captures electromagnetic waves.

Appeal. A request for a review of: (1) the *Zoning Administrator's* interpretation of any provision of this Chapter; (2) any official written determination by the *Zoning Administrator*; (3) the *Subdivision Administrator's* interpretation of any *subdivision* regulations/provisions of this Chapter; (4) any official written determination by the *Subdivision Administrator*; (5) the *Soil Erosion and Sedimentation Control Administrator's* interpretation of any soil erosion and sedimentation regulations/provisions of this Chapter; (6) any official written determination by the *Soil Erosion and Sedimentation Control Administrator*; or (7) any decision made by a planning agency or governing body. An appeal must be made within 30 days of an official written determination by the *Zoning/Subdivision/Soil Erosion and Sedimentation Control Administrator* or an official decision made by a planning agency or governing body.

Appeal (Flood). A request for a review of the *Floodplain Administrator's* interpretation of any provisions of this Chapter.

Applicant. The party submitting an application, petition or seeking other approval required by this Chapter. An applicant includes a firm, association, organization, partnership, corporation, company, trust, individual or governmental unit or any other entity usually defined in legal usage as a *person*.

Area of Shallow Flooding. A designated AO Zone on a community's *Flood Insurance Rate Map (FIRM)* with *base flood* depths determined to be from one (1) to three (3) feet. These areas are located where a clearly defined channel does not exist, where the path of flooding is unpredictable and indeterminate, and where velocity flow may be evident.

Area of Special Flood Hazard. (See *Special Flood Hazard Area (SFHA)*).

Asphalt Plant. An establishment (portable or nonportable) engaged in petroleum refining; manufacturing involving various compositions of asphalt and tar with other materials (asphalt-type roofing materials, asphalt/tar paving mixtures, asphalt paving block and various other compositions of asphalt or tar with other materials); and the recycling of old asphalt into asphalt-type material.

Assisted Living Residence. A group housing and services program for seven (7) or more unrelated persons, by whatever name it is called, that makes available, at a minimum, one (1) meal a day and housekeeping services and provides personal care services directly or through a formal written agreement with one or more licensed home care or hospice agencies. The Department of Health and Human Services may allow nursing service exceptions on a case-by-case basis. Settings in which services are delivered may include self-contained apartment units or single or shared room units with private or area baths. Assisted living residences are to be distinguished from *nursing homes* subject to provisions of *NCGS §131E-102 (NCGS §131D-2(1d))*. *Extended care facilities* with seven (7) or more residents (excluding *hospice residential care facilities* and *nursing homes*) shall, for the purposes of this Chapter, be included with and permitted in the same fashion as an assisted living residence.

Athletic Field, Non-Commercial. An athletic field not intended for commercial *use* or profit.

Automobile and Equipment Service. An establishment primarily engaged in providing service to automobiles and equipment. An automobile and equipment service may include auto inspection stations and/or tire recapping as *accessory uses* provided each is conducted within an enclosed *structure* and that neither is the principal business.

Bankfull. The water level, or stage, at which a stream, river or lake is at the top of its banks and any further rise would result in water moving into the *floodplain*.

Base Flood. The flood having a one percent (1%) chance of being equaled or exceeded in any given year.

Base Flood Elevation (BFE). A determination as published in the *Flood Insurance Study* of the *water surface elevations* of the *base flood*.

Basement. That portion of a *structure* which is partly or completely below grade.

Basement (Flood). Any area of the *building* having its *floor* sub-grade (below ground level) on all sides.

Bathroom (Bed and Breakfast Inn). A room with at least one (1) shower or tub, water closet and lavatory (lavatories may be located within *bedrooms*) (NCAC 15A, 18A .3001).

Bed and Breakfast Inn. A business of not more than 12 guest rooms that offers bed and breakfast accommodations to at least nine (9) but not more than 23 persons per night for a period of less than one (1) week, and that: does not serve food or drink to the general public for pay; serves only the breakfast meal to overnight guests of the business; includes the price of breakfast in the room rate; and is the permanent residence of the owner/manager of the business (NCGS §131A-247(6)).

Bedroom. A room or space used or intended to be used for sleeping purposes.

Being Conducted. A *land-disturbing activity* has been initiated and permanent stabilization of the site has not been completed.

Berm. An earthen mound designed to provide visual interest on a site, screen undesirable views, reduce noise or fulfill other such purposes.

Best Management Practices (BMP). A structural or nonstructural management-based practice used singularly or in combination to reduce nonpoint source inputs to receiving waters in order to achieve water quality protection goals.

BFE. *Base flood elevation* (See *Base Flood Elevation*).

Billboard. An *outdoor advertising sign* that exceeds 380 square feet in area.

Boathouse, Private. A residential accessory *water dependent structure* whose principal purpose is waterfront mooring/storage of boats.

Bond. (See *Improvement Guarantee*).

Borrow. Fill material which is required for on-site construction and is obtained from other locations.

Boulevard. A roadway that consists of moderate mobility and low to moderate accessibility. The relationship between mobility and accessibility is more balanced than that of *freeways* and *expressways*. Access control points may not be permitted and if allowed, are limited. Typically, roadways in this category have a median, but may have as few as two (2) lanes. They have posted speed limits of 30 to 55 miles per hour. Traffic signals are allowed and recommended at one-half (½) mile intervals.

Broadcasting and Communications Facilities. An establishment providing point-to-point communications and the services related to that activity. This may include radio and television broadcasting, cable networks and program distribution, and their directly related telecommunications. Examples include: radio/television broadcasting, radio/cable networks, radio stations and cable/other program distribution among others. Communications facilities not related to broadcasting are excluded from this definition.

BST. Bituminous Surface Treatment (asphalt, tar and gravel).

Buffer. An area of natural or planted vegetation that serves as a separation and screen between two (2) properties and/or dissimilar land *uses*.

Buffer (Watershed). An area of natural or planted vegetation through which *stormwater runoff* flows in a diffuse manner so that the runoff does not become channelized and which provides for infiltration of the runoff and filtering of pollutants. The buffer is measured landward from the normal pool elevation of impounded *structures* and from the top of the bank of each side of streams or rivers.

Buffer Zone (Soil Erosion and Sedimentation Control). The strip of land adjacent to a *lake or natural watercourse*.

Building. A *structure* used or intended for supporting or sheltering any *use* or occupancy (North Carolina State Building Code, Chapter 2, Section 202).

Building (Flood Damage Prevention). Any *structure* having a roof supported by columns and by walls and intended for shelter, housing or enclosure of persons, animals, or chattels.

Building, Enclosed. A building which has a roof supported by “imperforated” walls extending from ground to roof on all sides. The presence of doors (not doorways having no door) or windows shall not cause a wall to be considered “perforated.”

Building, Occupied. A building that is inhabited by one or more persons. Such buildings include, but are not limited to: residences, *schools*, *religious institutions*, buildings for public assembly, hospitals, clinics and other commercial and industrial entities.

Building Façade. The façade of a building, which for the purposes of this Chapter, is that side which faces a *traveled way*.

Building Line. A line which crosses the front of the principal *building* on the *lot*.

Built-Upon Area. The portion of a development project that is covered by impervious/partially impervious cover (including, but not limited to, *structures*, roofs, *driveways*, *roads*, concrete slabs, walkways, paved (asphalt, concrete, etc.)/compacted stone parking lots, recreational facilities, etc). (Wooden slatted decks and the water area of a swimming pool or pond are considered pervious).

Bulkhead. A *water dependent structure*; a wall or an embankment along a waterfront, that acts as a protective barrier.

BW. *Balance of Watershed* (See *Balance of Watershed*).

CA. *Critical Area* (See *Critical Area*).

Caliper. A horticultural method of measuring the diameter of nursery stock. For *trees* less than four (4) inches in diameter, the measurement should be taken at six (6) inches above ground

level. For *trees* greater than four (4) inches in diameter up to and including 12 inches, the caliper measurement must be taken at 12 inches above the ground level. For *trees* greater than 12 inches in diameter, the trunk is measured at breast height (Diameter at Breast Height or DBH), which is four and one-half (4 ½) feet above the ground. For the purposes of this Chapter where related to landscaping regulations, diameter and caliper are used interchangeably.

Camp. An establishment primarily engaged in operating/accommodating educational and/or recreational activities for patrons. These establishments typically: (1) are operated on a seasonal basis; (2) provide access to *indoor/outdoor/governmental recreational facilities*; (3) provide access to dining facilities; (4) provide sleeping quarters (for temporary use by patrons and/or employees); and (5) are often operated on a temporary/seasonal basis (i.e. summer camp, day camp, etc.).

Campground. An establishment primarily engaged in operating/accommodating campsites. These establishments may provide access to facilities, such as laundry rooms, recreational halls and playgrounds, stores and snack bars.

Carport. A *structure* that covers a *driveway* or other parking area. A carport may have permanent walls but shall not have a door in the manner of a *garage*.

Certificate of Need (CON). A written order which affords the *person* so designated as the legal proponent of the proposed project the opportunity to proceed with the development of such project (NCGS §131E-176(3)).

Chemical Storage Facility. A *building*, portion of a *building* or exterior area adjacent to a *building* used for the storage of any chemical or chemically reactive products.

Childcare. A program or arrangement where three (3) or more children less than 13 years old, who do not reside where the care is provided, receive care on a regular basis of at least once (1) per week for more than four (4) hours but less than 24 hours per day from *persons* other than their guardians or full-time custodians, or from *persons* not related to them by birth, marriage or adoption. Childcare does not include the following:

- (1) Arrangements operated in the home of any child receiving care if all the children in care are related to each other and no more than two (2) additional children are in care;
- (2) Recreational programs operated for less than four (4) consecutive months in a year;
- (3) Specialized activities or instruction such as athletics, dance, art, music lessons, horseback riding, gymnastics or organized clubs for children, such as Boy Scouts, Girl Scouts, 4-H groups or Boys and Girls clubs;
- (4) Drop-in or short-term care provided while parents participate in activities that are not employment related and where the parents are on the premises or otherwise easily accessible, such as drop-in or short-term care provided in health spas, bowling *alleys*, *shopping malls*, resort hotels or *religious institutions*;
- (5) Public *schools*;
- (6) Nonpublic *schools* (NCGS, Chapter 115C, Article 39, Part 2) that are accredited by the Southern Association of Colleges and Schools and that operate a childcare facility as defined in subdivision (3) of this section for less than six and one-half (6 ½) hours per day either on or off the *school* site;
- (7) Bible schools conducted during vacation periods;
- (8) Care provided by facilities licensed under NCGS Chapter 122C, Article 2;

- (9) Cooperative arrangements among parents to provide care for their own children as a convenience rather than for employment; and
- (10) Any childcare program or arrangement consisting of two (2) or more separate components, each of which operates for four (4) hours or less per day with different children attending each component. (NCGS §110-86(2)).

Childcare Facility. Includes childcare centers, *family childcare homes* and any other childcare arrangement (not excluded by NCGS §110-86(2)), that provides childcare, regardless of the time of day, wherever operated, and whether or not operated for profit (NCGS §110-86(3)).

Chip Mill. A nonportable wood-chipping facility that stands alone and apart from a *sawmill* or a pulpmill whose purpose is to provide wood chips to an off-site fabricating facility including but not limited to a papermill or oriented strand board (OSB) mill.

Church. (See *Religious Institution*).

Club/Lodge. An establishment primarily engaged in promoting the common civic and social interest of their members. This industry includes local branches or chapters of fraternal organizations, guilds or unions. Establishments in this industry may operate bars and restaurants for their members.

Cluster Development (Watershed). The grouping of single-family residential *buildings* on one (1) single *tract* (*manufactured home park*, etc.); or the grouping of single-family *building lots* in a *subdivision* where higher-density design is combined with land conservation (preservation of natural areas/*open space*) and innovative design in order to minimize negative impacts (reduce *stormwater runoff*, etc.). Cluster developments shall include conservation *subdivisions* as defined by this Chapter.

Collector Road. Collector roads feature characteristics of moderate to low mobility and high accessibility, and serve as a link between through-roads and *local roads*. There is no control of access (i.e. no physical restrictions on access). Traffic signals are allowed, at a recommended minimum spacing of one-quarter ($\frac{1}{4}$) mile. *Driveways* are allowed with full movement, but are still recommended to be consolidated or shared if possible. Roadways in this category will have neither a center left turn lane nor a median. Speed limits are regulated at 25 to 55 miles per hour.

Collocation. The placement of an additional *antenna* on an existing communication facility, including required support equipment and *structures* at the base of the tower and any necessary modification to the *structure* of the existing facility.

Commissioners. The Board of Commissioners of Henderson County, North Carolina.

Common Area. Area set aside, dedicated or reserved for the *use* and enjoyment of residents of a complex, development, *manufactured home park* or *subdivision*. Common area may include space for community buildings, ponds, gardens, walking paths, outdoor play areas, swimming pools, ball fields, basketball courts, racquet courts, gazebos, picnic shelters, etc. Where damage to subsurface *sewage disposal systems* or wells would not result as a *use* of property for common area, such areas over *sewage disposal systems*/wells may be used as common area. Those areas which shall not be considered common areas include: land within *setbacks*/separation areas, *internal/external roads/rights-of-way*, *driveways*, parking spaces, *common area recreation and service facilities*, *sale/model homes*, solid waste disposal areas and areas needed for aboveground utility facilities including water supply or *sewage disposal systems*.

Common Area Recreation and Service Facilities. Recreational (swimming pools, hot tubs, etc.) and service (laundry, mail delivery area, etc.) facilities built to serve complexes, developments, *manufactured home parks* and *subdivisions*.

Communication Facility, Category 1. A Category One (1) Communication Facility shall be a:

- (1) Tower and/or *antenna* constructed or permitted prior to March 2, 1998;
- (2) Tower used for residential, *amateur radio* or governmental purposes which is less than 80 feet in height;
- (3) Tower less than 50 feet in height; or
- (4) *Collocation* of an *antenna* on an existing communication facility.

Communication Facility, Category 2. A Category Two (2) Communication Facility shall be a/an:

- (1) Tower intended to replace an existing tower where such new tower is sited as close to the existing tower as is reasonably feasible, but in no event more than 100 feet from the base of the existing tower, and no higher than the height of the existing tower;
- (2) *Antenna* located on an *alternative structure*;
- (3) Tower used for residential, *amateur radio* or governmental purposes which is 80 feet or greater in height;
- (4) Tower (all others) 50 to less than 200 feet in height;

Communication Facility, Category 3. A Category Three (3) Communication Facility shall include all towers 200 feet or greater in height.

Communication Facility, Stealth. A *stealth communication facility* is a communication facility which is designed and constructed so as to blend into its surroundings. A communication facility may be stealth were such facility is a monopole or appears to be a tree, light pole, water tower, clock tower or any of a number of other similar *structures/natural vegetation*. The choice of design shall be compatible with the setting in which the communication facility is placed, in order to camouflage/conceal the presence of the facility and in order for the facility be considered a "stealth" design.

Communication Facility Height. The vertical distance measured from the facility base to the highest point of the facility, including any *antenna*, lighting or other equipment affixed thereto.

Communication Facility Permit. The permit issued by the *Communication Facilities Administrator*, as designated by this Chapter, to an *applicant* to construct a *communication tower*, co-locate an *antenna* on an existing tower, locate an *antenna* on an *alternative structure* or replace an existing tower.

Communication Facility Registration Number. A number issued by the *Communication Facilities Administrator* (upon the issuance of a *communication facility permit*) which is used to reference individual communication facility projects. A communication facility registration number corresponds to the facility permit application number issued by the *Communication Facilities Administrator*.

Communication Tower. A tower, pole or similar *structure*, used to support one or more *antennas*, including self-supporting lattice towers, guyed towers or monopole towers. The term includes radio and television transmission towers, personal communications service (PCS)

towers, microwave towers, common-carrier towers, cellular telephone towers and *alternative structures*.

Communication Tower Base. The foundation, usually concrete, on which the *communication tower* and other support equipment are situated. For measurement calculations, the tower base is that point on the foundation reached by dropping a vertical line through the geometric center of the tower

Communication Tower Site. The land area which currently or will in the future contain a tower, support *structures* and other related *structures* and improvements. A communication tower site may consist of a parcel of record or a deeded *easement*.

Community Club. A *structure* and its related facilities, owned or operated by an educational, nonprofit organization whose members typically reside inside boundaries that are established by the community club, and whose purposes are: to provide a framework whereby community members can work together to supplement or expand the goals that the community wants to accomplish; and to provide for the social, recreational, educational, cultural and/or economic improvement of the community.

Completion of Construction or Development (Soil Erosion and Sedimentation Control). No further *land-disturbing activity* is required on a phase of a project except that which is necessary for establishing a permanent *ground cover*.

Comprehensive Plan. The official public planning document adopted by the Board of Commissioners as the official guide for the development and redevelopment of the County.

Conical Evergreen Plant. An *evergreen shrub* or *tree* whose foliage is full to the ground, widest at the base and tapers toward the top. A conical evergreen plant provides a visual screen at ground level at 75 percent maturity.

Continuing Care Retirement Community. A continuing care retirement community involves the furnishing to an individual (other than an individual related by blood, marriage or adoption to the person furnishing the care) of lodging together with nursing services, medical services or other health related services, under an agreement effective for the life of the individual or for a period longer than one (1) year (*NCGS* §58-64-1(1)). Health related services include, at a minimum, *nursing home* admission or assistance in the activities of daily living, exclusive of the provision of meals or cleaning services (*NCGS* §58-64-1(4)).

County. Henderson County, North Carolina.

Critical Area. The area adjacent to a water supply intake or reservoir where risk associated with pollution is greater than from the remaining portions of the *watershed*. The critical area is defined as extending either one-half (½) mile from the normal pool elevation of the reservoir in which the intake is located or to the ridgeline of the *watershed* (whichever comes first) or one-half (½) mile upstream from the intake located directly in the stream or river (run-of-the-river) or the ridgeline of the *watershed* (whichever comes first). The Board of Commissioners may extend the critical area as needed. Major landmarks, such as highways or property lines, may be used to delineate the outer boundary of the critical area if these landmarks are immediately adjacent to the appropriate outer boundary of one-half (½) mile.

Critical Root Zone. The minimum area beneath a *tree* which must be left undisturbed and protected from construction disturbance in order to preserve a sufficient root mass to give a *tree*

a reasonable chance of survival. The critical root zone is delineated by a concentric circle with the *tree* trunk as the center. The radius of the critical root zone equals one (1) foot for every one (1) inch of *tree* diameter. For example: a 20 inch diameter *tree* will have a critical root zone radius of 20 feet.

Deciduous. A plant with foliage that is shed annually.

Design Manual. The County adopted manual that provides comprehensive guidelines and practices for controlling *erosion* and *sedimentation*. Unless a manual is adopted by the County, the State manual shall serve as the *Design Manual*.

Design Professional. A civil engineer or landscape architect who prepares the Erosion and Sediment Control Plan for the *person* or agent engaged in *land-disturbing activity*.

Development (Flood). Any man-made change to improved or unimproved real estate, including but not limited to, *buildings* or other *structures*, mining, dredging, filling, grading, paving, excavating operations, drilling operations, or storage of equipment or materials.

Development (Watershed). A *land-disturbing activity* which adds to or changes the amount of impervious or partially impervious cover on a land area or which otherwise decreases the infiltration of precipitation into the soil.

Development, Agriculture. A development where the *use* is agriculture, including *agritourism farms* and *bona fide farms*.

Development, Commercial/Office/Institutional. A *nonresidential development* that is not industrial.

Development, Existing. Those developments that, at a minimum, have established a vested right under North Carolina zoning law.

Development, Industrial. A *nonresidential development* that requires a National Pollutant Discharge Elimination System (*NPDES*) permit for an industrial discharge and/or requires the *use* or storage of any hazardous material for the purpose of manufacturing, assembling, finishing, cleaning or developing any product or commodity.

Development, Nonresidential. All development other than *residential development* and *agriculture*. Nonresidential development consists of office, institutional, commercial and industrial development.

Development, Residential. *Buildings* for residential *use* (including *single* and *multifamily dwellings*) and their associated *accessory structures* and *uses*.

Development, Single-Tenant. A single establishment, activity or *use* which does not share any facilities (parking, storage areas, entrances, etc.) with another *tenant* or *use* and is developed on an individual parcel.

Discharge Point. That point at which *stormwater runoff* leaves a *tract* of land.

Disposal (Flood). The discharge, deposit, injection, dumping, spilling, leaking or placing of any *solid waste* into or on any land or water so that the *solid waste* or any constituent part of the *solid waste* may enter the environment or be emitted into the air or discharged into any waters, including groundwaters (*NCGS §130A-290(a)(6)*).

Dock/Pier. A *water dependent structure*; a platform extending from a shore over water and supported by piles or pillars, whose purpose is to secure, protect and provide access to boats.

Dormitory. A facility providing group sleeping accommodations in one (1) or several rooms under joint occupancy and single management, where the use of the facility is associated with an institution or business which provides services, employment or education to people who require temporary housing during the time of their association with the institution or business.

Driveway/Entryway. An area used for ingress or egress of *vehicles* and allowing access from a *traveled way* onto a property.

DU. *Dwelling unit (See Dwelling Unit).*

Dwelling, Accessory. A unit added to, contained within or detached from a principal *dwelling unit* that provides self-contained, complete and permanent (non-transient) living facilities for one (1) family.

Dwelling, Apartment. (See *Accommodation*).

Dwelling, Conventional. A *dwelling unit* constructed in accordance with the standards of the North Carolina State Building Code that is constructed on site.

Dwelling, Duplex. Two (2) *dwelling units*, including *modular homes*, placed one (1) on top of another or attached side by side and sharing one or more common walls, *floors* and/or ceilings and placed on one (1) or two (2) separate lot(s).

Dwelling, Manufactured Home. A *dwelling unit* constructed in accordance with the Federal Manufactured Housing Construction and Safety Standards Act of 1974 (which became effective June 15, 1976), as amended, and composed of components substantially assembled in a manufacturing plant and transported to the *building site* for final assembly on a permanent foundation. The term "*manufactured home*" does not include "*mobile home*," "*recreational vehicle*" or "*park model home*."

Dwelling, Mobile Home. A transportable, factory-built home designed for *use* as a *single-family detached* residential dwelling and manufactured prior to the Federal Manufacture Housing Construction and Safety Standards Act of 1974 (which became effective June 15, 1976).

Dwelling, Modular. A *dwelling unit* constructed in accordance with the standards set forth in the North Carolina State Building Code and composed of components substantially assembled in a manufacturing plant and transported to the *building site* for final assembly on a permanent foundation.

Dwelling, Multifamily. A residence where one (1) *building* contains more than one (1) *dwelling unit*. This includes *duplexes*, *triplexes*, *quadraplexes* and *multifamily (five (5) or more units)* but shall not include *single-family homes* with an attached *garage* containing only one (1) *garage apartment*.

Dwelling, Multifamily (Five (5) or More Units). Five (5) or more *dwelling units*, including *modular homes*, placed one (1) on top of another and/or side-by-side and sharing common walls, floors and/or ceilings.

Dwelling, Quadraplex. Four (4) *dwelling units*, including *modular homes*, placed one (1) on top of another and/or side-by-side and sharing common walls, floors and/or ceilings.

Dwelling, Single-Family Detached. A single-family dwelling which is located in a separate *building* detached from any other *building* (excluding a customary *accessory structure*). Single-family detached dwellings may include dwellings constructed on site, *manufactured dwellings* or *modular dwellings*.

Dwelling, Triplex. Three (3) *dwelling units*, including *modular* homes, placed one (1) on top of another or side-by-side and sharing common walls, floors and/or ceilings.

Dwelling Unit. A *building* or portion thereof, providing complete and permanent living facilities for one (1) family.

Easement. That portion of land or property reserved for present or future *use* by a *person* or agency other than the legal fee owner(s) of the property. The easement shall be permitted to be for *use* under, on, or above said *lot(s)*.

Elevated Building. A non-*basement building* which has its *reference level* raised above ground level by foundation walls, shear walls, posts, piers, pilings or columns.

Encroachment (Flood). The advance or infringement of *uses*, fill, excavation, permanent *structures* or development into a *floodplain*, which may impede or alter the flow capacity of a *floodplain*.

Energy Dissipator. A *structure* or a shaped channel section with mechanical armoring placed at the outlet of pipes or conduits to receive and break down the energy from high *velocity* flow.

Entertainment Complex. An establishment that is conducted exclusively for entertainment. Entertainment complexes include some form of live entertainment and may include food services, beverage services, etc. *Accessory structures* and *uses* necessary to the operation of the complex may be included in this definition, as determined by the *Zoning Administrator*. This definition does not include *adult theatres/live entertainment* or cinema complexes.

Erosion. The wearing away of land surfaces by the action of wind, water, gravity, or any combination thereof.

Evergreen. A plant with foliage that persists and remains green year-round.

Expressway. Roadways in this category feature characteristics of high mobility and moderate to low accessibility. Moving through-traffic is an important element; however, access points are allowed, but limited. Traffic signals are not permitted, but *driveway* connections are permitted. Typically, roadways in this category have a minimum of four (4) travel lanes, are median-divided facilities, and have posted speed limits of 55 to 60 miles per hour.

Extended Care Facility. A licensed care facility that provides continuing services to residents and which shall include: *family care homes*, *hospice residential care facilities*, *assisted living residences*, *adult care homes*, *mental health facilities*, *multiunit assisted housing with services*, *nursing homes* and *continuing care retirement communities*.

- (1) *Family Care Home.* A care home (for persons of any age) having two (2) to six (6) residents (based on NCGS §131D-2(A)(5)). *Extended care facilities* with two (2) to six (6) residents shall, for the purposes of this Chapter, be included with and permitted in the same fashion as a family care home (see *Family Care Home* for full definition).
- (2) *Hospice Residential Care Facility.* A freestanding licensed hospice facility which provides palliative and supportive medical and other health services to meet the physical,

psychological, social, spiritual and special needs of terminally ill patients and their families in a group residential setting.

- (3) *Assisted Living Residence*. A group housing and services program for seven (7) or more unrelated persons, by whatever name it is called, that makes available, at a minimum, one (1) meal a day and housekeeping services and provides personal care services directly or through a formal written agreement with one or more licensed home care or hospice agencies. *Extended care facilities* with seven (7) or more residents (excluding *hospice residential care facilities* and *nursing homes*) shall, for the purposes of this Chapter, be included with and permitted in the same fashion as an assisted living residence (see *Assisted Living Residence* for full definition).
- (4) *Adult Care Home*. An *assisted living residence* in which the housing management provides 24 hour scheduled and unscheduled personal care services to residents, either directly or, for scheduled needs, through formal written agreement with licensed home care or hospice agencies (see *Adult Care Home* for full definition).
- (5) *Mental Health Facilities*. A facility that provides services to individuals who are mentally ill, developmentally disabled, or substance abusers for one or more minors or for two (2) or more adults. These services shall be residential services provided for 24 consecutive hours or more. Facilities for individuals who are substance abusers include chemical dependency facilities.
- (6) *Multiunit Assisted Housing with Services*. An *assisted living residence* in which hands on personal care services and nursing services (which are arranged by housing management) are provided by a licensed home care or hospice agency, through an individualized written care plan (see *Multiunit Assisted Housing with Services* for full definition).
- (7) *Nursing Home*. A facility, however named, which is advertised, announced or maintained for the express or implied purpose of providing nursing or convalescent care of seven (7) or more *persons* unrelated to the licensee (see *Nursing Home* for full definition).
- (8) *Continuing Care Retirement Community*. A *continuing care retirement community* involves the furnishing to an individual (other than an individual related by blood, marriage or adoption to the *person* furnishing the care) of lodging together with nursing services, medical services or other health related services, under an agreement effective for the life of the individual or for a period longer than one (1) year (see *Continuing Care Retirement Community* for full definition).

Family Care Home. A care home (for persons of any age and which includes, but is not limited to *adult care homes*, *hospice residential care facilities*, or *nursing homes*) having two (2) to six (6) residents (based on *NCGS* §131D-2(a)(5)). *Extended care facilities* with two (2) to six (6) residents shall, for the purposes of this Chapter, be included with and permitted in the same fashion as family care homes.

Family Childcare Home (FCCH). *Childcare* arrangement in the provider's home that may have no more than five (5) preschool children present at any one (1) time. The program may enroll up to eight (8) children if at least three (3) of the children are *school* aged.

Farm, Agritourism. A working farm or ranch that welcomes visitors who come to purchase agricultural products or value-added agricultural products, learn about or participate in

agricultural-themed recreation and/or entertainment, and who pay the farmer a fee for that experience.

Farm, Bona Fide. All land on which agricultural operations are conducted as a *principal* or *accessory use*.

FBFM. *Flood Boundary and Floodway Map.*

FEMA. The Federal Emergency Management Agency of the United States Department of Homeland Security.

Final Plat. A *plat* representing a *lot*, parcel, *subdivision* or a *tract* of land showing the boundaries and location of individual properties, *roads* and other information required by this Chapter and *NCGS*. A *final plat* shall be prepared by a professional land surveyor, currently licensed and registered in the State of North Carolina, in such a fashion as to be suitable for recording by the Henderson County Register of Deeds and in accord with *NCGS* §47-30.

Fire Lane. A *road* or other passageway developed to allow the passage of fire apparatus. A fire lane is not necessarily intended for vehicular traffic other than fire apparatus.

Fire and Rescue Station. A government or quasi-public establishment primarily engaged in fire fighting and other related *fire protection* activities. Government or quasi-public establishments providing combined fire protection and ambulance or rescue services are classified in this industry.

Fire Protection. The design, construction and installation of *buildings* and facilities, equipment, appliances and infrastructure or the protection of the facilities and *buildings*, and the occupants thereof, from the effects or potential effects of fire. All *uses* requiring fire protection in this Chapter shall be required to comply with the standards of the National Fire Protection Association.

FIRM. *Flood Insurance Rate Map.*

Flea Market. A market, usually held outdoors, where antiques, household goods and curios are sold.

Flood/Flooding. A general and temporary condition of partial or complete inundation of normally dry land from: the overflow of inland or tidal waters; or the unusual and rapid accumulation of runoff of surface waters from any source.

Flood Boundary and Floodway Map (FBFM). An official map of a community, issued by the Federal Insurance and Mitigation Administration of *FEMA*, on which the 100-year flood boundary (also known herein as “*Special Flood Hazard Area*” and “*floodplain*”), *floodway fringe* and *floodways* are delineated. This official map is a supplement to, and shall be used in conjunction with, the *Flood Insurance Rate Map (FIRM)*.

Flood Hazard Boundary Map (FHBM). An official map of a community, issued by the Federal Insurance and Mitigation Administration of *FEMA*, where the boundaries of the *Special Flood Hazard Areas* have been defined as Zone A.

Flood Insurance. The insurance coverage provided under the National Flood Insurance Program managed by the Mitigation Division of *FEMA*.

Flood Insurance Rate Map (FIRM). An official map of a community, issued by the Federal Insurance and Mitigation Administration of *FEMA*, on which both the *Special Flood Hazard Areas* and the risk premium zones applicable to the community are delineated.

Flood Insurance Study (FIS). An examination, evaluation and determination of flood hazard areas, corresponding *water surface elevations* (if appropriate), *flood insurance* risk zones and other flood data in a community issued by *FEMA*. The Flood Insurance Study report includes *Flood Insurance Rate Maps (FIRMs)* and *Flood Boundary and Floodway Maps (FBFMs)* if published.

Flood Prone Area. (See *Floodplain*).

Flood Zone. A geographic area shown on a *Flood Hazard Boundary Map (FHBM)* or *Flood Insurance Rate Map (FIRM)* that reflects the severity or type of flooding in the area.

Floodplain. Any land area susceptible to being inundated by water from any source, as designated on an official *FEMA* flood map or other official flood map.

Floodplain Development Certificate of Compliance/Occupancy. A certification that the development within the *floodplain* is in compliance with this Chapter and may be occupied.

Floodplain Management. The operation of an overall program of corrective and preventive measures for reducing flood damage and preserving and enhancing, where possible, natural resources in the *floodplain*, including but not limited to emergency preparedness plans, flood control works, floodplain management regulations and open space plans.

Floodplain Regulations. This Chapter, building codes, health regulations, special purpose ordinances, and other applications of police power which control development in *flood prone areas*. This term describes federal, state, or local regulations in any combination thereof, which provide standards for preventing and reducing flood loss and damage.

Floodproofing. Any combination of structural and nonstructural *additions*, changes or adjustments to *structures*, which reduce or eliminate risk of flood damage to real estate, improved real property, water facilities, sanitation facilities, or *structures* with their contents.

Floodway. The channel of a river or other *watercourse* and the adjacent land areas that must be reserved in order to discharge the *base flood* without cumulatively increasing the *water surface elevation* more than one (1) foot.

Floodway Fringe. The floodway fringe as shown on the *Flood Boundary and Floodway Map (FBFM)*.

Floor. (See *Lowest Floor*).

Floor Area, Gross. The total floor area of all *buildings* in a project (including *basements*, mezzanines and upper floors) and which excludes stairways, elevator shafts and separate service facilities outside the principal *building* (boiler rooms, maintenance shops, etc.).

Food Manufacturing. An establishment that includes the following: dairy product manufacturing (including milking, cheese manufacturing and butter manufacturing); grain and oilseed milling (including flour milling, malt manufacturing, rice milling, starch and vegetable fats and oils manufacturing, wet corn milling, soybean processing, fats and oils refining and blending and breakfast cereal manufacturing); wine and brandies manufacturing; snack food manufacturing; coffee and tea manufacturing; concentrate, syrup, condiment and spice

manufacturing; establishments that freeze food and use preservation processes (pickling, canning and dehydrating); and an entire range of other miscellaneous food product manufacturing.

Footprint. The outside dimensions of a *building* describing the amount of space it occupies on the ground, usually expressed in square feet.

Forestry. Includes timber *tract* operations and forest nurseries and gathering of forest products. This subsector specializes in long production cycles that separate it from crop production.

Forestry Support Services. An establishment primarily engaged in performing particular support activities related to timber production, wood technology, *forestry*, economics, marketing and forest production. These establishments may provide support activities for *forestry*, such as estimating timber, forest firefighting, forest pest control and consulting on wood attributes and reforestation.

Fraternity and/or Sorority House. A specific type of *rooming and boardinghouse*, which is for the purposes of housing members and meetings of a fraternal organization. These establishments provide temporary or longer-term accommodations which, for the period of occupancy, may serve as a principal residence. These establishments also may provide complementary services, such as housekeeping, meals and laundry services.

Freeboard. The height added to the *Base Flood Elevation (BFE)* to account for *watershed* development as well as limitations of the engineering methodologies for the determination of flood elevations. The freeboard plus the *BFE* establishes the *Regulatory Flood Protection Elevation*.

Freeway. Freeways feature characteristics of high mobility and low accessibility, or full control of access. Carrying through traffic and controlling access points are of supreme importance of roadways classified in this category. Typically, freeways have a minimum of four (4) travel lanes, are median-divided facilities, and have posted speed limits of 55 miles per hour or greater. Traffic signals and *driveways* are not permitted, as access is only permitted at grade-separated interchanges.

Frontage. The side of a *lot* adjacent to the *traveled way*. All sides of a *lot* adjacent to the *traveled way* shall be considered frontage and have *yard* provided as indicated under the *yard* requirements set forth in this Chapter.

Fuel Oil Distribution and Sales. An establishment with bulk liquid storage facilities primarily engaged in wholesaling, retailing and/or distributing fuel oil and fuel oil products.

Functionally Dependent Facility (Flood). A facility which cannot be used for its intended purpose unless it is located in close proximity to water, such as a docking or port facility necessary for the loading and unloading of cargo or passengers, shipbuilding or ship repair. The term does not include long-term storage, manufacture, sales or service facilities.

Garage, Residential. A *building* primarily designed to house *vehicles*, which can be either attached to or detached from the *dwelling unit*.

Gate and/or Guardhouse. *Structures* for the purpose of restricting access to all or portions of a property.

Gate, Entry. Movable partition for controlling access and egress (See Chapter 89 of the Henderson County Code, *Entry Gates*).

Golf Course and/or Country Club. An establishment primarily engaged in operating golf courses (except miniature) and/or dining and other recreational facilities known as country clubs. These establishments often provide food, beverage, equipment rental and golf and recreational instructional services.

Governmental Recreational Facilities. A public recreation facility that is indoors and/or outdoors which may include: courts (basketball, tennis, etc.), swimming pools, batting cages, shuffleboard areas and/or other such *uses* that fit the intent of this Chapter as determined by the *Zoning Administrator*. A government recreational facility shall, for purposes of this Chapter, not include go-cart tracks (a *recreational motor sports facility*), golf courses, miniature golf courses, golf driving tees/ranges.

Greenhouse. An enclosed *structure* with transparent or translucent roof and/or wall panels, and devoted to the cultivation and protection of plants out of season or climate.

Greenway. A public space that may be a linear *park*, alternative transportation route and/or *open space* conservation area that provides passive recreational opportunities, pedestrian and/or bicycle paths and/or the conservation of *open spaces* or natural areas, which may be so indicated in a greenway plan.

Ground Cover. Any natural vegetative growth or other material which renders the soil surface stable against *accelerated erosion*.

Hazardous Waste Management Facility. A facility for the collection, storage, processing, treatment, recycling, recovery or disposal of hazardous waste as defined in *NCGS Chapter 130A, Article 9*.

Height. The height of a *building* or *structure* measured as the vertical distance from the finished main floor level to the highest point of the *building* or *structure*. Chimneys, cupolas and steeples are not included in measuring a *building* or *structure* height.

Heliport (Private Accessory). A facility or *structure* that is used for the landing and take-off of rotary-wing aircraft, but not including the regular repair, fueling and/or maintenance of such aircraft or the sale of goods/materials to users of such aircraft.

High Quality Waters. Those classified as such in 15A *NCAC 2B.0101(e) (5) – General Procedures*, which is incorporated herein by reference to include further amendments pursuant to *NCGS §150B-14(c)*.

High Quality Water (HQW) Zones. For the Coastal Counties, areas within 575 feet of *High Quality Waters*; and for the remainder of the state, areas within one (1) mile and draining to HQW's.

Highest Adjacent Grade (HAG). The highest natural elevation of the ground surface prior to construction, next to the proposed walls of the *structure*.

Historic Structure. A *structure* that is:

- (1) Listed individually in the National Register of Historic Places (a listing maintained by the US Department of Interior) or preliminarily determined by the Secretary of the Interior as meeting the requirements for individual listing on the National Register;
- (2) Certified or preliminarily determined by the Secretary of Interior as contributing to the historical significance of a registered historic district or a district preliminarily determined by the Secretary of the Interior to qualify as a registered historic district;

- (3) Individually listed on a state inventory of historic places; or
- (4) Individually listed on a local inventory of historic places in communities with historic preservation programs that have been certified by:
 - a. An approved state program as determined by the Secretary of Interior, or
 - b. The Secretary of Interior (directly) in states without approved programs.

Home Occupation, Adult Day Care. A daycare program for two (2) to six (6) people operated in a *single-family detached dwelling* (10A NCAC 06R .0201). (See also *Home Occupation, General*).

Home Occupation, Childcare Facility. A *family childcare home* with no more than 12 children (where any of the children are preschool-aged or younger) or no more than 15 children (where they are *school* aged) that provides *childcare*, regardless of the time of day and whether or not operated for profit (NCGS §110-86(3)).

Home Occupation, General An *accessory use* of a *structure* for a limited nonresidential purpose that is clearly incidental and subordinate to the *use* of the property for residential purposes.

Hospice Residential Care Facility. A freestanding licensed hospice facility which provides palliative and supportive medical and other health services to meet the physical, psychological, social, spiritual and special needs of terminally ill patients and their families in a group residential setting (NCGS §131E-176(13c)).

I-2 Asphalt. Type of asphalt concrete surface course as defined by *State Road Standards* (see *State Road Standards*).

Impervious Surface. A ground covering which prevents or restricts the absorption of water directly into the ground below (including, but not limited to, *structures*, roofs, *driveways*, *roads*, concrete slabs, walkways, and paved (asphalt, concrete, etc.)/compacted stone parking lots, etc).

Impervious Surface, Maximum. Maximum impervious surface indicates that not more than the percentage of the total land area indicated be covered by *impervious surface*.

Improvement Guarantee. Cash, letters of credit, trust agreements, *bonds* or similar financial instruments deposited with the County to assure that required improvements will be constructed or installed.

Indoor Recreational Facilities. A recreational facility that is completely indoors and which may include: public or private operations, courts (basketball, tennis, etc.), swimming pools, batting cages, shuffleboard areas and/or other such *uses* that fit the intent of this Chapter as determined by the *Zoning Administrator*. An indoor recreational facility shall, for purposes of this Chapter, not include go-cart tracks (a *recreational motor sports facility*), miniature golf courses, driving tees or driving ranges.

Junk. Litter; debris; animal carcasses; used or unserviceable *motor vehicle* and machinery parts; used and non-functional furniture, appliances, tools, equipment and implements; and waste materials of any kind (excluding compost piles for normal, personal or noncommercial *uses*, in their proper location).

Junkyard. A parcel having a *principal use* consisting of the storing, keeping, buying or selling of *junk*, as defined herein. This definition excludes any *vehicle graveyard* or *manufactured/mobile home graveyard*.

Junked Motor Vehicle. A *motor vehicle* which does not display a current license plate or *vehicle* registration.

Kennel. A collection of *structures*, property, *outside/outdoor uses* of land in which domestic animals are housed, maintained and/or bred. (See Chapter 66A of the Henderson County Code, *Animal*).

Lake or Natural Watercourse. Any stream, river, brook, swamp, sound, bay, creek, run, branch, canal, waterway, estuary, and any reservoir, lake or pond (natural or impounded) in which *sediment* may be moved or carried in suspension, and which could be damaged by accumulation of *sediment*.

Land Clearing Debris and Inert Debris Storage or Disposal. A disposal facility which stores solid waste resulting solely from land-clearing activities (stumps, *trees*, bricks, concrete, etc.).

Land-Disturbing Activity. Any use of the land by any *person* in residential, industrial, education, institutional, or commercial development, highway and road construction and maintenance that results in a change in the natural cover or topography and that may cause or contribute to *sedimentation*.

Landfill. A facility for the disposal of solid waste on land in a sanitary manner in accordance with NCGS Chapter 130A, Article 9. For the purpose of this Chapter, this term does not include composting facilities.

Landfill, Nondischarging. A *landfill* which does not discharge treated leachate into surface waters and for which no National Pollutant Discharge Elimination System (*NPDES*) permit is required.

Landscaping Materials Sales and Storage. An establishment primarily engaged in selling and storing a variety of landscaping materials including but not limited to plants, *shrubs*, *trees*, mulch, timbers, rocks, etc. directly associated with or used for landscaping.

Library/Archive. These establishments are engaged in maintaining collections of documents (books, journals, newspapers and music) and facilitating the *use* of such documents as are required to meet informational, research, educational or recreational needs of their user(s). These establishments may also acquire, research, store, preserve and generally make accessible to the public historical documents, photographs, maps, audio material, audiovisual material and other archival material of historical interest. All or portions of these collections may be accessible electronically.

Lighting, Adequate. Lighting of areas used for vehicular and pedestrian access which serves to heighten visibility and, as a result, protect the public health, safety and welfare.

Lighting Mitigation. Mitigating the impact of outdoor lighting fixtures in order to protect neighboring properties and *roads* from direct glare or hazardous interference of any kind. Lighting mitigation typically involves directing lighting fixtures away from adjacent properties but may also include the installation of planted *buffers*, screens, walls, etc.

Local Government (Soil Erosion and Sedimentation Control). Any county, incorporated village, town or city, or any combination of counties, incorporated villages, towns, and cities, acting through a joint program pursuant to the provisions of the North Carolina Sedimentation Pollution Control Act of 1973 and all rules and orders adopted pursuant thereto.

Local Road. Local roads are designed to provide final access to properties, rather than through movements. There is no control of access (i.e. no physical restrictions on access). Traffic signals are allowed, at a recommended minimum spacing of one-quarter (¼) mile. *Driveways* are allowed with full movement, but are still recommended to be consolidated or shared if possible. Roadways in this category will have neither a center left turn lane nor a median. Speed limits are regulated at 35 miles per hour or less.

Lot. A parcel of land occupied or capable of being occupied by a *structure* or group of *structures* devoted to a common *use*, together with the customary *accessory structures/uses* and *open spaces* belonging to the same.

Lot, Double-Fronted. A *lot* abutting two (2) *traveled ways*.

Lot, Existing. (See *Lot of Record*)

Lot, Flag. An irregularly shaped *lot* where the buildable portion of the *lot* is connected to a *road* by a narrow extension of the *lot*.

Lot, Zoning. A parcel of land that is designated by its owner/developer at the time of applying for a building permit as one (1) *lot*, all of which is to be used, developed or built upon as a unit under single ownership. Such *lot* may consist of a: single *lot of record*; portion of a *lot of record*; combination of complete *lots of record*; combination of complete *lots* and portions of *lots of record*; or combination of portions of *lots of record*.

Lot Line, Front. The line of a *lot* separating a *lot* from the edge of the *traveled way*.

Lot Line, Rear. The line of a *lot* which is opposite and farthest from the *front lot line*.

Lot of Record. A *lot* which is part of a *subdivision*, a *plat* of which has been recorded in the Register of Deeds Office of Henderson County prior to the adoption of this Chapter, or a *lot* described by metes and bounds, the description of which has been so recorded prior to the adoption of this Chapter.

Lot Size. The total horizontal area within the lines of a *lot*, exclusive of *road* or highway *rights-of-way*, measured in acres.

Lowest Floor. The subfloor, top of slab or grade of the lowest enclosed area (including *basement*). An unfinished or flood resistant enclosure, usable solely for parking of *vehicles*, building access or limited storage in an area other than a *basement* area is not considered a *building's* lowest floor provided that such an enclosure is not built so as to render the *structure* in violation of the applicable non-elevation design requirements of this Chapter.

Machining and Assembly Operations. An establishment engaged in the assembly, fabrication and/or modification of products utilizing specialized equipment to produce non-perishable goods generally created from alloys, plastics or other compounds. Machining and assembly operations differ from *manufacturing and production operations* as they do not create objects from raw materials; rather, they modify previously assembled parts, fabricate objects from finished materials (e.g. metal and plastic blanks) and/or assemble objects from pre-manufactured components.

Mailed Notice of Intent. A mailed notice which is required for *communication facilities category three (3)*. Mailed notices of intent for *communication facilities category three (3)* shall include: (1) a vicinity map showing proposed communication facility location; (2) a sketch of the

communication facility with dimensions which indicate any proposed tower type and height; and (3) a statement from the *Communication Facilities Administrator* indicating the processes and procedures by which the communication facility may be permitted.

Manufactured Home. (See *Dwelling, Manufactured Home*).

Manufactured Home Park. A *tract* of land designed to accommodate three (3) or more *manufactured/mobile home* spaces, three (3) or more *manufactured/mobile homes* or any combination of such for rent or lease.

Manufactured Home Park Administrator. (See *Administrator, Manufactured Home Park*).

Manufactured Home Park Completion of Improvements Permit. A permit issued by the *Manufactured Home Park Administrator* to an *applicant* upon completion of improvements indicated in the *manufactured home park construction permit*, which certifies the *manufactured home park* conforms to the requirements of this Chapter. A completion of improvements permit is required in order to obtain *manufactured/mobile home* set-up permits or other building permits from the Henderson County Code Enforcement Services Department.

Manufactured Home Park Construction Permit. A permit issued by the *Manufactured Home Park Administrator* to an *applicant* upon approval of a *manufactured home park* application and *site plan* which certifies the *applicant* may begin improvements to the *manufactured home park* or *phase* thereof.

Manufactured Home Park/Manufactured Home Subdivision, Existing. A *manufactured home park* or *manufactured home subdivision* for which the construction of facilities for servicing the *lots* on which the *manufactured homes* are to be affixed (including, at a minimum, the installation of utilities, the construction of *roads* and either final site grading or the pouring of concrete pads) is *pre-FIRM*.

Manufactured Home Park Operator. The *person* responsible for the operation of a *manufactured home park*.

Manufactured Home Park Space. An area of land within a *manufactured home park* designed for the exclusive *use* of one (1) *manufactured/mobile home* and associated *accessory structures*. A space shall be defined on the ground by the presence of two (2) or more of the following: (1) a *water supply system* service connection; (2) a *wastewater* disposal system service connection; and/or (3) electrical service equipment.

Manufactured Home Park Space, Preexisting. A *manufactured home space* within a *manufactured home park* which contains an occupied *manufactured/mobile home* or is defined on the ground by the presence of two (2) of the following: (1) a *water supply system* service connection; (2) a *sewage disposal system* connection; or (3) electric service equipment.

Manufactured/Mobile Home Graveyard. A parcel of land having an *accessory use* consisting of the storage or keeping of three (3) or more wrecked, dismantled, scrapped, ruined or dilapidated *manufactured/mobile homes, recreational vehicles* or *park model homes*, which are not occupied by humans.

Manufacturing and Production Operations. An establishment engaged in the mechanical, physical or chemical transformation of raw materials, substances or components into new products. Manufacturing and production operations are often described as plants, factories or mills and characteristically use power-driven machines and materials-handling equipment.

Establishments that transform materials or substances into new products by hand may also be included in this sector. Manufacturing establishments may process materials or may contract with other establishments to process their materials for them. Both types of establishments are included in manufacturing. Almost all manufacturing and production operations have some captive research and development or administrative operations, such as accounting, payroll or management.

Map Amendment. (See *Amendment, Map*).

Market Value. The *building* value, excluding the land (as agreed to between a willing buyer and seller), as established by what the local real estate market will bear. Market value can be established by independent certified appraisal, replacement cost depreciated by age of *building* (actual cash value) or adjusted assessed values.

Materials Recovery Facilities (Recycling). An establishment primarily engaged in (1) operating facilities for separating and sorting recyclable materials from non-hazardous waste streams (i.e., garbage (all putrescible wastes, including animal offal and carcasses, and recognizable industrial byproducts, but excluding sewage and human waste)) and/or (2) operating facilities where co-mingled recyclable materials, such as paper, plastics, used beverage cans and metals are sorted into distinct categories.

Mean Sea Level. The National Geodetic Vertical Datum (NGVD) as corrected in 1929, the North American Vertical Datum (NAVD) as corrected in 1988 or other vertical control datum used as a reference for establishing varying elevations within the *floodplain*, to which *Base Flood Elevations (BFEs)* shown on a *FIRM* are referenced. Refer to each *FIRM* panel to determine datum used.

Mental Health Facilities. A facility that provides services to individuals who are mentally ill, developmentally disabled, or substance abusers for one or more minors or for two (2) or more adults. These services shall be residential services provided for 24 consecutive hours or more. Facilities for individuals who are substance abusers include chemical dependency facilities (based on *NCGS §122C-3.(14)b.*)).

MHP. *Manufactured Home Park.* (See *Manufactured Home Park*).

Mining and Extraction Operations. An establishment primarily engaged in mining, mine site development and beneficiating (i.e. preparing) metallic and nonmetallic minerals, including coal. This includes ore extraction, quarrying and beneficiating (e.g. crushing, screening, washing, sizing, concentrating and floating customarily done at the mine site).

Model Home/Sales Office, Temporary. A *structure* used on a temporary basis for the purposes of generating sales within a *residential development*.

Motor Sports Facility. A facility, track or course upon which motor sports racing or racing practice is conducted.

Motor Sports Facility, Major. A motor sports facility having a seating or standing capacity of 500 or more patrons/spectators. Standing capacity (for the purposes of this definition) shall be computed based on three (3) persons for each 200 square feet of space intended for spectator use.

Motor Sports Facility, Minor. A motor sports facility having a seating or standing capacity of less than 500 patrons/spectators and not considered to be a recreational motor sports facility.

Standing capacity shall be computed based on three (3) persons for each 200 square feet of space intended for spectator use.

Motor Sports Facility, Recreational. A motor sports facility designed and operated primarily for racing practice purposes. Recreational motor sports facilities do not provide: seating, cover, concessions or restrooms for spectators/patrons and shall have a capacity of less than 100 spectators and/or riders.

Motor Vehicle. A *vehicle* which is or is designed to be self-propelled and/or is designed or used for transporting *persons* or property. This definition includes watercraft but excludes aircraft.

Multi-Tenant Development. A development in which there exists a number of individual and/or separate activities and in which there are shared facilities (such as parking areas or pedestrian mall areas) (example: *Shopping Malls*, etc.).

Multiunit Assisted Housing with Services. An *assisted living residence* in which hands-on personal care services and nursing services (which are arranged by housing management) are provided by a licensed home care or hospice agency, through an individualized written care plan. The housing management has a financial interest or financial affiliation or formal written agreement which makes personal care services accessible and available through at least one (1) licensed home care or hospice agency. The resident has a choice of any provider, and the housing management may not combine charges for housing and personal care services. All residents or their compensatory agents, must be capable, through informed consent, of entering into a contract and must not be in need of 24 hour supervision. Assistance with self-administration of medications may be provided by appropriately trained staff when delegated by a licensed nurse according to the home care agency's established plan of care. Multiunit assisted housing with services programs are required to register with the Division of Facility Services and to provide a disclosure statement. The disclosure statement is required to be a part of the annual rental contract that includes a description of the following requirements: emergency response system; charges for services offered; limitations of tenancy; limitations of services; resident responsibilities; financial/legal relationship between housing management and home care or hospice agencies; listing of all home care or hospice agencies and other community services in the area; an *appeals* process; and procedures for required initial and annual resident screening and referrals for services. *Continuing care retirement communities* are exempt from the regulatory requirements for multiunit assisted housing with services programs (NCGS §131D-2(7a)).

Natural Drainage and Filtering System. A drainage and filtering system which uses, in lieu of a curb and gutter system, vegetated ditches, grassed swales and/or other natural areas to carry and absorb *stormwater runoff* from *roads*, parking lots, *buildings* and other *impervious surfaces* where such runoff is not bypassed by gutters, drains, pipes, paved swales or other similar conduits. The purpose of a natural drainage and filtering system is to remove pollutants from *stormwater runoff* and to allow some ground absorption of the water prior to discharge into streams, rivers, lakes or other surface waters.

Natural Erosion. The wearing away of the earth's surface by water, wind, or other natural agents under natural environmental conditions undisturbed by man.

NCAC. North Carolina Administrative Code.

NCDENR. North Carolina Department of Environmental and Natural Resources.

NCDOT. North Carolina Department of Transportation.

NCEMC. North Carolina Environmental Management Commission.

NCGS. North Carolina General Statutes.

Neighborhood. An area impacted by a *principal use*.

New Construction. *Structures* for which the “*start of construction*” commenced on or after the effective date of the original version of this Chapter (or portions thereof) and includes any subsequent improvements to such *structures*.

NFIP. National Flood Insurance Program.

Non-Encroachment Area. The channel of a river or other *watercourse* and the adjacent land areas that must be reserved in order to discharge the *base flood* without cumulatively increasing the *water surface elevation* more than one (1) foot as designated in the *Flood Insurance Study* report.

Nonconforming. That which was lawfully created prior to the effective date of this Chapter or any portion thereof incorporated into this Chapter, or any amendment thereto, but which does not conform to one or more of the requirements of the Chapter. That which may be nonconforming includes the following:

- (1) Nonconforming *lot*;
- (2) Nonconforming *lot of record*;
- (3) Nonconforming *manufactured home park* (also referred to as pre-existing *manufactured home park*);
- (4) Nonconforming *outside/outdoor use*;
- (5) Nonconforming *structure*;
- (6) Nonconforming *structure* containing nonconforming *use*; and
- (7) Nonconforming *use*.

Nonconforming Building or Development (Flood). Any legally existing *building* or development which fails to comply with the current flood damage prevention provisions of this Chapter.

NPDES. National Pollutant Discharge Elimination System.

Nursing Home. A facility, however named, which is advertised, announced or maintained for the express or implied purpose of providing nursing or convalescent care for seven (7) or more persons unrelated to the licensee. A nursing home is a home for chronic or convalescent patients, who, on admission, are not as a rule, acutely ill and who do not usually require special facilities such as an operating room, X-ray, laboratory and obstetrical facilities. A nursing home provides care for persons who have remedial ailments or other ailments, for which medical and nursing care are indicated; who, however, are not sick enough to require general hospital care. Nursing care is their primary need, but they will require continuing medical supervision (*NCGS* §131E-101(6)). Nursing homes offering one or more levels of care, including any combination of skilled nursing, intermediate care and *adult care home* (commonly referred to as “combination homes”) shall be included with and regulated in the same fashion as a nursing home (*NCGS* §131E-101(1a)).

Obstruction (Flood). Includes, but is not limited to, any dam, wall, wharf, embankment, levee, dike, pile, abutment, protection, excavation, channelization, bridge, conduit, culvert, *building*,

wire, fence, rock, gravel, refuse, fill, *structure*, vegetation or other material in, along, across or projecting into any *watercourse* which may alter, impede, retard or change the direction and/or velocity of the flow of water, or due to its location, increase its propensity to snare or collect debris carried by the flow of water, or its likelihood of being carried downstream.

Occupied Building. (See *Building, Occupied*).

Opaque. That which does not allow light to pass through.

Open Air Market. A market which is open to the outdoors throughout the year. Such a market may be conducted with or without a *structure*, however where a *structure* is erected such *structure* shall be built so as to be “open,” that is, no walls may be constructed which would be more than 25 percent closed.

Open Space. An area that is intended to provide light and air, and is designed for either environmental, scenic or recreational purposes. The term "open space" shall include *greenways* dedicated for environmental, scenic or recreational purposes. The term “open space” shall not include *roads* or any areas dedicated or reserved for a *road*. Those areas which shall not be considered open space include: land within *setbacks/separation areas, internal/external roads/rights-of-way, driveways, parking spaces, common area recreation and service facilities, sale/model homes*, solid waste disposal areas, and areas needed for aboveground utility facilities including water supply or *sewage disposal systems*.

Outside/Outdoor Use. A land use activity where the only *buildings* associated with such activities are incidental and accessory to the *principal use*. Land uses such as storage yards, used car lots, auto wrecking, *salvage yards*, golf driving ranges, miniature golf courses, and *agriculture* are examples of outside/outdoor uses.

Outdoor Recreational Facilities. A recreational facility that is outdoors and which may include: public or private operations, playing fields (soccer, baseball, etc.), courts (basketball, tennis, etc.), swimming pools, batting cages, shuffleboard areas and/or other such *uses* that fit the intent of this Chapter as determined by the *Zoning Administrator*. An outdoor recreational facility shall, for purposes of this Chapter, not include go-cart tracks (a *recreational motor sports facility*), golf courses, miniature golf courses, driving tees or driving ranges.

Outdoor Sale Display Area. An area reserved for the display of merchandise outdoors and associated with a *principal use* and/or *structure*.

Outdoor Storage. The keeping and/or storing of goods, products, supplies or equipment associated with a nonresidential *use* which is not in an *enclosed building*, nor in a *portable storage container*.

Overlay District. A zone established through this Chapter which regulates the *use* of land beyond and in addition to those regulations of the underlying *use district*.

PA. *Protected Area* (See *Protected Area*).

Packaging and Labeling Services. An establishment primarily engaged in packaging client owned materials. The services may include labeling and/or imprinting the package.

Parent. An *affiliate* that directly, or indirectly through one or more intermediaries, controls another *person*.

Park. Those areas developed for both passive and active recreational activities. The development may include, but shall not be limited to, walkways, benches, open fields, multiuse courts, swimming pools, wading pools, amphitheaters, etc. The term “*park*” shall not include zoos, *recreational vehicle parks*, *manufactured home parks*, *amusement parks*, equestrian racing facilities or dog racing facilities.

Park Model Home. A *recreational vehicle* which is: (1) built on a single chassis; (2) 400 square feet or less when measured at the largest horizontal projection; (3) self-propelled or permanently towable by a light duty truck; and (4) designed for temporary living quarters for recreation, camping, travel and seasonal *use* (but in no case for *use* as a permanent dwelling).

Perennial Stream. A constantly flowing, drought-resistant stream that is typically depicted by a thin continuous blue line on the most recent version of the USGS 1:24,000 (7.5 minute) scale topographic maps (or as determined by *local government* studies), unless other provisions have been made.

Perimeter Setback. (See Setback, Perimeter).

Person. Any individual, partnership, firm, association, joint venture, public or private corporation, trust, estate, commission, board, public or private institution, utility, cooperative, interstate body, or other legal entity.

Person Conducting Land-Disturbing Activity. Any *person* who may be held responsible for *violation* unless expressly provided otherwise by this Chapter, the North Carolina Sedimentation Control Act of 1973, or any order adopted pursuant to this Chapter or the North Carolina Sedimentation Control Act of 1973.

Person Responsible for the Violation. The (1) developer or other *person* who has or holds himself out as having financial or operation control over the *land-disturbing activity*; or (2) landowner or *person* in possession or control of the land that has directly or indirectly allowed the *land-disturbing activity*, or benefited from it or failed to comply with a duty imposed by any provision of this Chapter, the North Carolina Sedimentation Control Act of 1973, or any order adopted pursuant to this Chapter or the North Carolina Sedimentation Control Act of 1973.

Phase. A portion of a development delineated on a development plan/*site plan*.

Phase of Grading. One (1) of two (2) types of grading: rough or fine.

PIN. (Property Identification Number).

Place of Assembly. A *structure* or area designed and designated to accommodate *persons* for the purposes of assembly.

Planned Seasonal Agricultural Worker Development. A residential *use* of property for the purpose of seasonally housing workers hired to provide assistance in agricultural operations.

Planning Board. The Planning Board of Henderson County, North Carolina.

Planning Director. The Planning Director for Henderson County, or his/her designee, appointed and authorized to administer this Chapter. Any act authorized by this Chapter to be carried out by the Planning Director is, by implication, authorized to be carried out by a designee of the Planning Director.

Plat. A map showing planned or actual features of an area. A plat may depict a *subdivision* of land, designation of *right-of-way*, or other feature to be recorded into public record.

Police Station. A government establishment primarily engaged in criminal and civil law enforcement, police, traffic safety and other activities related to the enforcement of the law and preservation of order. Combined police and fire departments are included in this industry.

Portable Storage Container. A movable storage container, such as but not limited to “PODS,” which is placed temporarily.

Post-FIRM. Construction or other development which started on or after January 1, 1975 or on or after the effective date of the initial *FIRM* for the area, whichever is later.

Pre-FIRM. Construction or other development which started before January 1, 1975 or before the effective date of the initial *FIRM* for the area, whichever is later.

Produce Stand. An establishment primarily engaged in retailing fresh fruits and vegetables.

Product Processing and Storage Facilities. An establishment engaged in the intermediate steps of processing (e.g. packaging, removal of packaging, refrigeration, freezing, modification, etc.) and storage of goods subsequent to production and prior to shipment, sale or use. Product processing and storage facilities do not include operations dealing with hazardous substances or waste.

Protected Area. The area adjoining and upstream of the *critical area* of WS-IV *watersheds*. The boundaries of the protected area are defined as: (1) within five (5) miles of and draining to the normal pool elevation of a reservoir or to the ridgeline of the *watershed*; or (2) within ten (10) miles upstream and draining to the intake located directly in the stream or river or to the ridgeline of the *watershed*.

Protected Mountain Ridge. A ridge with an elevation of 500 feet or more above the elevation of an adjacent *valley floor*.

Public Nuisance. (See *Public Safety*).

Public Safety. Anything which is injurious to the safety or health of an entire community or *neighborhood*, or any considerable number of *persons*; this includes that which unlawfully obstructs the free passage or use, in the customary manner, of any navigable lake, river, bay, stream, canal or basin.

Rail Transportation Facilities and Support Activities. An establishment primarily engaged in operating rail systems over regular routes on a regular schedule.

Recombination (Subdivision). The combining of previously subdivided and recorded *lots* or portions thereof where the total number of *lots* is not increased and the resulting *lots* meet the requirements of this Chapter.

Recreational Vehicle (RV). A vehicular-type unit primarily designed as a temporary and mobile living quarters for recreational, camping or travel use, which either has its own mode of power or is mounted on and drawn by another *vehicle*. Such units do not satisfy the dimensional requirements of a *manufactured home*.

Recreational Vehicle (RV) Park. An establishment primarily engaged in operating sites to accommodate *park model homes* or *recreational vehicles*. These establishments may provide access to facilities, such as laundry rooms, recreational halls, playgrounds, stores and snack bars.

Recycling Centers, Drop-off. An establishment primarily engaged in receiving recyclable materials via drop-off.

Reference Level. The portion of a *structure* or other development that must be compared to the regulatory flood protection elevation to determine regulatory compliance of such *building*. Within *Special Flood Hazard Areas* the reference level is the top of the *lowest floor*.

Regulatory Flood Protection Elevation. The elevation to which all *structures* and other development located within the *Special Flood Hazard Areas* must be elevated or *floodproofed*. Within areas where *Base Flood Elevations (BFE's)* have been determined, this elevation shall be the *BFE* plus two (2) feet of *freeboard*, not to exceed a total elevated height of six (6) feet. In areas where no *BFE* has been established, all *structures* and other development must be elevated or *floodproofed* to two (2) feet above the *highest adjacent grade*, not to exceed six (6) feet total elevated height.

Religious Institution. A *structure* and parcel on which it is located, in and on which *persons* regularly assemble for religious worship. This term includes all facilities which are on all or part of the premises and their associated *uses* which are: (1) traditionally operated or conducted by a congregation in furtherance of its mission, and/or (2) actually being operated or conducted by the congregation in furtherance of its mission (as permitted in the district in which it is located).

Remedy a Violation. To bring the *structure* or other development into compliance with state or Henderson County *floodplain management* regulations, or, if this is not possible, to reduce the impacts of its noncompliance. Ways that impacts may be reduced include protecting the *structure* or other affected development from flood damages, implementing the enforcement provisions of the Chapter or otherwise deterring future similar *violations*, or reducing Federal financial exposure with regard to the *structure* or other development.

Repetitive Loss. Flood-related damages sustained by a *structure* on two (2) separate occasions during any ten (10) year period for which the cost of repairs at the time of each such flood event, on the average, equals or exceeds 25 percent of the *market value* of the *structure* before the damage occurred.

Research and Development Operations (Hazardous or Biological Materials). An establishment primarily involved in research and development operations dealing directly with hazardous materials.

Research and Development Operations (Nonhazardous). An establishment primarily involved in research and development operations excluding hazardous materials.

Residential Density. The number of *dwelling units* permitted per acre of land.

Residential Zoning District. Zoning districts which include Residential District One (R1), Residential District Two (R2), Residential District Two Manufactured Housing (R2MH), Residential District Three (R3), and Mixed Use Districts (MU).

Residuals. A solid or semisolid waste generated from a *wastewater treatment plant*, water treatment plant or air-pollution control facility permitted under the authority of the North Carolina Environmental Management Commission.

Retrofitting. Measures, such as *floodproofing*, elevation, construction of small levees and other modifications, taken on an existing *building* or its *yard* to protect it from flood damage or to manage *stormwater runoff*.

Right-of-Way. An *easement*, either public or private, on which an irrevocable right-of-passage has been recorded for *use* as a *road*, crosswalk, railroad, electric transmission line, oil/gas pipeline, water main, sanitary/storm sewer main, shade *trees* or other specified *use*.

Riparian. Of, on, or relating to the banks of a natural course/body of water; including the area of land adjacent to the course/body of water and the vegetation it contains.

Riverine. Relating to, formed by or resembling a river (including tributaries), stream, brook, etc.

Road. A *right-of-way* for vehicular traffic which affords the principal means of access to abutting properties.

Road (Flood). A dedicated public or private *right-of-way* for vehicular traffic.

Road, External. A *road* located outside of a development that abuts the development.

Road, Internal. A *road* located within a development.

Road, Private Subdivision Collector. A road or a section of a road which:

- (1) Provides direct or indirect access from the entrance of the subdivision inward to 50 or more existing or proposed dwelling units and is designed to be the main travel path for such residential access. The terminus or "last block" of a residential collector road ending in a dead end may be designed to the standards of a *private subdivision local road* as long as such "last block" serves fewer than 50 *dwelling units*;
- (2) Is designed/has the potential to serve in a future phase, property in the same ownership of the applicant that, if developed, will meet the 50 *dwelling unit* standard;
- (3) Connects proposed developments with existing developments where the aggregate sum of *dwelling units* in both developments is 50 or more;
- (4) Serves as a through-road connecting *lots* within a residential *subdivision* to more than one (1) public thoroughfare; and/or
- (5) Serves a nonresidential facility located within a residential development, such as a frequently used recreation area, clubhouse, golf course, public utility site, etc.

Road, Private Subdivision Limited Local. A *road* or group of *roads* which serves less than 50 existing or proposed *dwelling units* and does not connect *public roads*.

Road, Private Subdivision Local. A *road* which serves no more than four (4) residential *lots* each containing or to contain no more than one (1) existing or proposed principal *dwelling unit* and its associated driveway which does not connect multiple *public roads*. *Limited local road* standards shall also apply to roadways proposed solely for maintenance and/or emergency access purposes regardless of the number of *lots* it adjoins. Emergency access roads shall not be used to access *lots* within the subdivision and appropriate signage shall be required. Roads proposed for such purposes should be clearly identified on all plans and *final plats*.

Road, Public. A road which is state-maintained.

Road, Single-Loaded. A *road* serving property (*front yard* or *side yard*) on one (1) side only, with no need for access (to a *rear yard* or to *open space*) or parking on this other side.

Road Classification. *Roads* within the County shall be classified according to the following:

- (1) *Local Road*. *Local roads* are designed to provide final access to properties, rather than through movements (see *Local Road* for full definition).
- (2) *Collector Road*. *Collector roads* feature characteristics of moderate to low mobility and high accessibility, and serve as a link between through-roads and *local roads* (see *Collector Road* for full definition).
- (3) *Thoroughfare*. *Thoroughfares* feature characteristics of moderate to low mobility and high accessibility (see *Thoroughfare* for full definition).
- (4) *Boulevard*. A roadway that consists of moderate mobility and low to moderate accessibility (see *Boulevard* for full definition).
- (5) *Expressway*. Roadways in this category features characteristics of high mobility and moderate to low accessibility (see *Expressway* for full definition).
- (6) *Freeway*. *Freeways* feature characteristics of high mobility and low accessibility, or full control of access (see *Freeway* for full definition).

Road Frontage. Having *frontage* along a *road*, as defined herein.

Rooming and Boardinghouse. An establishment primarily engaged in operating rooming and boardinghouses and similar facilities including, but not limited to: cottages, off-campus dormitories, residential clubs and workers' camps. These establishments provide temporary or longer-term accommodations which, for the period of occupancy, may serve as a principal residence. These establishments also may provide complementary services, such as housekeeping, meals and laundry services.

ROW. *Right-of-way* (See *Right-of-Way*).

Rural Family Occupation. An *accessory use* of a *structure* for a limited nonresidential purpose that is clearly incidental and subordinate to the *use* of the property for residential purposes and which is more expansive (in size, number of employees, outside storage area and/or *structures*) than a *home occupation*.

Salvage Yard. A nonresidential property used for the storage, collection and/or recycling of any type of equipment and including but not limited to *vehicles*, appliances and related machinery.

Sawmill. An establishment primarily engaged in sawing dimension lumber, boards, beams, timbers, poles, ties, shingles, shakes, siding and wood chips from logs or bolts. Sawmills may plane the rough lumber that they make with a planing machine to achieve smoothness and uniformity of size.

School (Home). A nonpublic school in which one or more children of not more than two (2) families or households receive academic instruction from parents or legal guardians or a member of either household. Such schools must be qualified in accordance with *NCGS* §115C, Article 39, Part 3 (or its successor).

School (Public/Private/Charter). An elementary or secondary school, whether private or public, established under *NCGS* Chapter 115C (or its successor). Schools include:

- (1) Public School. A school operated under the jurisdiction of the Henderson County Board of Education and supported by tax revenue, or any charter school.
- (2) Private School. A school having a curriculum similar to those of a public school.

- (3) Charter School. A school authorized and operating under *NCGS* Chapter 115 C, Article 16, Part 6A (or its successor).

School (Sports Instructional). An establishment primarily engaged in offering instruction in athletic activities to groups of individuals. Overnight and day sports instruction camps are included in this industry.

School (Technical, Trade and Business). An establishment primarily engaged in offering vocational, technical and business training in a variety of technical and/or business subjects and trades. Business schools are primarily engaged in offering courses in: office procedures, secretarial skills, stenographic skills, and basic office skills (i.e. word processing, office machine operation, reception, communications, and other skills designed for individuals pursuing a clerical or secretarial career). Technical and trade schools offer a variety of courses often leading to job-specific certification.

Screening. A *structure* or planting that conceals view from public ways or adjacent property.

Section (Phase). A grouping of three (3) or more *lots*, *rights-of-way*, common space and associated improvements therein, in a Preliminary Plan, numbered consecutively and relating to stages of a Master Plan.

Sediment. Solid particulate matter, both mineral and organic, that has been or is being transported by water, air, gravity, or ice from its site of origin.

Sedimentation. The process by which *sediment* resulting from *accelerated erosion* has been or is being transported off the site of the *land-disturbing activity* or into a *lake or natural watercourse*.

Senior Center. A community facility where older adults come together for services and activities that reflect their skills and interests and respond to their diverse needs. Centers are a resource for the entire community, providing services and information on aging, and assisting family and friends who care for older *persons*. For older *persons* at risk of losing their self-sufficiency, *senior centers* are the entry point to an array of services that will help them maintain their independence. Any variety of services to individuals or groups may be accessed depending on local community circumstances. *Persons* of differing backgrounds share and learn from each other. *Persons* of all ages with all types of skills and interests are needed to perform vital roles and enhance the services and programs at the centers. (North Carolina Division of Aging and Adult Services).

Setback. The required distance between the location of a *structure* and/or operation and some other point of location, most typically a *lot* line, *right-of-way* or edge of *traveled way*.

Setback, Front Yard. A *setback* measured from the property line determined to be the *front yard*. Where the *front yard* falls along a *road*, the *setback* is to be measured from the edge of the public *right-of-way* or, where no *right-of-way* exists, edge of *traveled way*.

Setback, Perimeter. A *setback* measured from all *lot* lines of a parcel. Where the property boundary falls along a *road*, the *setback* is to be measured from the edge of the public *right-of-way*. The perimeter setback shall apply to the *use* and any *structures* associated with the *use* (this shall not include parking, however).

Sewage Disposal System. Any facilities for *wastewater* (sewage) collection, treatment and disposal. A sewage system may be of the following types:

- (1) **Septic Tank.** A subsurface *wastewater* system consisting of a settling tank and subsurface disposal field.
- (2) **Approved Public or Community Sewage System.** A single system of sewage collection, treatment and disposal owned and operated by a sanitary district, metropolitan sewage district, water and sewer authority, county, municipality or public utility constructed and operated in compliance with applicable requirements of the North Carolina Division of Environmental Management.
- (3) **Municipal Sewage Disposal System.** An approved public or community sewage system that is owned and operated by a county or municipality.

SFHA. *Special Flood Hazard Area (See Special Flood Hazard Area).*

Shooting Range. A facility designed or used for archery and/or the discharging of firearms for the purposes of target practice or temporary competitions. A shooting range may be indoors (completely enclosed within a *building/structure*) or outdoors.

Shopping Mall. A *building* that contains commercial establishments which have interconnecting and enclosed walkways making it easy for people to walk from establishment to establishment.

Shrub. A woody *deciduous* or *evergreen* plant which consists of a number of small branches from or near the ground.

Sight Visibility Triangle. A triangular area formed when connecting new *roads* to existing state maintained *roads*, that is measured a distance of 70 feet along the existing *road right-of-way* and ten (10) feet along the new *road right-of-way* as defined by *State Road Standards* (see *State Road Standards*). The area within the sight visibility triangle shall remain unobstructed between three (3) and ten (10) feet above grade.

Sign. A sign may consist of any of a combination of the following: words, designs, emblems, figures, phrases, trade names, trademarks, devices, lettering, numerals, sentences, parts of letters or parts of numerals. A sign may be made of any material (other than live vegetation) including any surface, fabric or other material background and the *structure* designed to carry such materials. A sign shall not include: (1) architectural features of a *building*, even when identifiable with certain establishments; and (2) works of art provided they do not include logos, business names or features that would be advertising the business where the work of art is located. Any art located on a traditional sign shall be considered as part of the sign.

Sign, Agricultural. A *sign* advertising agricultural products for sale.

Sign, Animated. A *sign* using flashing or intermittent lights, sound, color changes or other mechanical or electrical means to give motion, the impression of motion/movement or the optical illusion of motion to the *sign*; or any *sign* with visible moving, revolving or relocating parts; provided, however, this shall not include time/date/temperature or *electronic message signs*.

Sign, Area of a. Multiply the vertical distance measured from the highest point to the lowest point on the *sign* face and the maximum horizontal distance across the *sign* face.

Sign, Attached. A *sign* attached to, applied on or supported by any part of a *building*; including, but not limited to any of the following: *wall signs*, *window signs*, *signs* on canopies, *signs* on awnings or *signs* on *marquees*.

Sign, Awning. A temporary hood or cover which projects from the wall of a *building*, and which may include a type which can be retracted, folded or collapsed against the face of a supporting *building*.

Sign, Changeable Copy. A permanently unframed *sign*, illuminated or not, which is principally devoted to and designed for changeable copy text and graphics, but which specifically excludes time/date/temperature *signs* and *electronic message signs*. Changeable *copy signs* may involve either manual or automatic changeable copy. An automatic changeable *copy sign* which changes more than two (2) times in a 24 hour period shall be defined to be an *electronic message sign*. *Portable signs* are not considered changeable *copy signs*.

Sign, Commemorative. A *sign* which denotes, honors, celebrates, acknowledges or is in remembrance of an historical *person*, place or event.

Sign, Community Identification. A *sign* erected to identify a specific community, residential *subdivision*, multifamily housing development or *manufactured home park* for which boundaries and characteristics have been established and recognized by the Planning Department.

Sign, Construction. A *sign* whose message is limited to identification of architects, engineers, contractors and other persons involved with the construction project or which may include the name, purpose and expected completion date of the *building*.

Sign, Copy. Words, letters, numbers, figures, designs or other symbolic representations incorporated into a *sign*.

Sign, Development Identification. A *sign* bearing only the name of a *multi-tenant development*.

Sign, Directional. A *sign* whose sole purpose is to direct pedestrian or vehicular traffic on the premises on which it is displayed. Examples include: “in,” “out,” “entrance,” “exit” and “driveway.”

Sign, Double-Faced. A *sign* constructed to display its message on the outer surface of two (2) identical and opposite parallel planes.

Sign, Electronic Message. A *sign* which displays changeable information and is composed of a series of lights that may be changed automatically through electronic means. All messages shall be visible for a minimum of three (3) seconds. These will not be deemed to constitute changeable copy or *animated signs*.

Sign, Externally Illuminated. A *sign* which reflects light from a source intentionally directed upon it from a distance.

Sign, Flashing. A *sign* illuminated by direct or indirect artificial light that flashes on and off in regular or irregular sequences, including, but not limited to, strobe light.

Sign, Governmental. A *sign* erected by or on the order of an authorized public official which includes, but is not limited to, traffic control, road name/identification, warning, directional, public notice or similar *signs*.

Sign, Ground. A freestanding *sign*, flush to the ground, and not elevated upon poles/stanchions or attached to a *building/structure*.

Sign, Home Occupation. A *sign* identifying a *home occupation* (*general, adult daycare or childcare facility*).

Sign, Incidental. A *sign* attached wholly to a *building*, window or door containing information relative to emergencies, store hours, credit cards honored and other similar accessory information.

Sign, Inflatable. A *sign* that is blown up (increased in volume) with air or gas.

Sign, Internally Illuminated. A *sign* whose light source is located in the interior of the *sign* so that the rays go through the face of the *sign*, or where the light source is attached to the face of the *sign* and is perceived as a design element of the *sign*.

Sign Height. The vertical distance from the uppermost point used in measuring the area of a *sign* to the average grade immediately below and adjoining the *sign*. For *outdoor advertising signs*, *sign height* shall be measured from the existing *road* grade to the uppermost point on the *sign structure*.

Sign, Marquee. A *sign* of a theater, auditorium, fairground or museum which advertises current and scheduled events. Marquees may include, incorporate or consist of *electronic message signage*.

Sign, Menu Board. A freestanding or wall mounted *sign* primarily designed for the display of menu items and prices for the purpose of placing orders for such items in conjunction with a restaurant utilizing drive-through service. Said *signs* are considered *incidental signs*.

Sign, Multi-Faceted. A *sign* that contains more than one (1) plane in the *sign* face.

Sign, Multi-Tenant Development. A *sign* bearing the name of individual *tenants* located within a *multi-tenant development* and which may include the name of the *multi-tenant development*.

Sign, On-Premise. A *sign* used for the purpose of displaying, advertising, identifying or directing attention to a business, products, operations or services sold or offered on the *lot of record* where the *sign* is located.

Sign, Outdoor Advertising. A *sign* or *structure*, pictorial or otherwise, that draws attention to or communicates information about a business, profession, service, commodity, product, accommodation, event, attraction or other enterprise or activity that exists or is conducted, manufactured, sold, offered, maintained or provided at a location other than on the premises where the *sign* or *structure* is located. Outdoor advertising does not, for the purposes of this Chapter, include *billboards*.

Sign, Pole. A freestanding *sign* which is permanently affixed to the ground by a pole or other *structure* and which is not part of the *building*. This shall not be considered to include *signs* on canopies.

Sign, Political. A *sign* promoting or publicizing a candidate/candidates for election or *signs* related to issues on a ballot. Such *political signs* may be erected at any time subsequent to filing for candidacy or the placement of an issue on the ballot.

Sign, Portable. A *sign* that is not permanently affixed to a *structure*.

Sign, Property Identification. A *sign* that contains the property address (*road* name and house number), homeowner's name or name of business or other identifying symbol of a *building*, profession, institution or service conducted on the *lot*.

Sign, Regulatory. A *sign* erected for the purposes of traffic control, as regulated by the Manual on Uniform Traffic Control Devices (MUTCD), including warning, safety and railroad *signs*.

Sign, Roof. An *attached sign* erected, constructed or maintained on, upon or over the roof of any *structure* and which is wholly or partially dependent upon the roof for support.

Sign, Sandwich Board. A *portable sign* which is *single-* or *double-faced*, which may readily be moved from place to place, and which is intended to be used on a sidewalk or pedestrian way. These *signs* are considered temporary in nature.

Sign, Single-Tenant Development. A *sign* bearing the name of the single *tenant* of an individual parcel.

Sign, Temporary. A *sign* with or without a structural frame, not permanently attached to a *building, structure* or the ground and intended for a limited period of display. Any *sign* announcing a one (1) time event such as “Grand Opening,” “Sale Saturday” and the like and may include the following: *sandwich board signs, wind signs, changeable copy signs, inflatable signs, banners, pennants, streamers and/or posters* (excludes *portable signs*).

Sign, Temporary Event. A *sign* placed temporarily to direct traffic to special events, festivals, etc.

Sign, Time/Date/Temperature. A *sign* containing numerals or letters, which may be alternately displayed and which show the time, date and/or temperature. This *sign* shall not be considered a *flashing* or an *animated sign*.

Sign, Vehicle Sale. A *sign* affixed to the window of a *vehicle* displaying terms of sale of said *vehicle* and placed on property where the owner of the *vehicle(s)* resides.

Sign, Wall. A *sign* painted/attached flat against, parallel to or projecting from the exterior wall or surface of a *structure*.

Sign, Wind. A suspended *sign* made of a flexible material such as canvas, sailcloth, plastic or waterproof paper, including, but not limited to, banners, pennants, spinners or streamers. These *signs* are considered temporary.

Sign, Window. A *sign* which is permanently painted on, attached to or designed to be visible through a window (excluding displays of merchandise).

Sign Setback. The *setback* of a *sign* is measured from the closest portion of the *sign* or *sign structure* to the closest property line on which the *sign* fronts.

Sign Stanchion. A vertical supporting beam, post, pole or rod.

Sign Structure. A *structure* which supports, has supported or is capable of supporting a *sign*, including any decorative cover for said *sign structure*.

Single-Family Residential Development. A *residential development* where no *building* contains more than one (1) *dwelling unit*.

Siltation. *Sediment* resulting from *accelerated erosion* which is settleable or removable by properly designed, constructed, and maintained control measures; and which has been transported from its point of origin within the site of a *land-disturbing activity*; and which has been deposited, or is in suspension in water.

Site Plan. The *site plan* shall contain all items required by the County for applicable review. Such plan may include, but not be limited to, the following: (1) the approximate boundaries of the site; (2) significant topographical and other natural features effecting development of the site; (3) proposed vegetation removal and *open space* preservation; (4) the approximate location on the site of existing and proposed *structures*, coverage of *lot* by those *structures* and other improvements; (5) the approximate dimensions, including height and scale, of the proposed *structures* (and their relation to surrounding existing and proposed future *uses*); (6) the approximate locations and dimensions of proposed *buffers* and landscaping; (7) the proposed location and dimensions of *signs*; (8) the approximate location of all existing and proposed infrastructure on the site, including stormwater, water, sewer, *roads*, parking and pedestrian walkways; and (9) any proposed phasing.

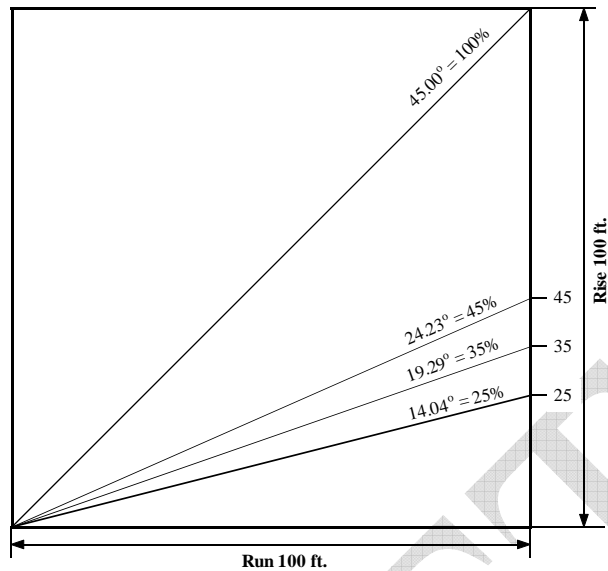
Site-Specific Development Plan. A plan which has been submitted to the County by a landowner describing with reasonable certainty the type and intensity of *use* for a specific parcel or parcels of property. Such plan may be in the form of, but not be limited to, any of the following plans or approvals: a preliminary or master development plan, special use permit, or any other land-use approval designation as may be utilized by the County. Such plan shall include: (1) the approximate boundaries of the site; (2) significant topographical and other natural features effecting development of the site; (3) the approximate location on the site of the proposed *buildings*, *structures* and other improvements; (4) the approximate dimensions, including height, of the proposed *buildings* and other *structures*; and (5) the approximate location of all existing and proposed infrastructure on the site, including water, sewer, *roads* and pedestrian walkways. A *variance* shall not constitute a *site-specific development plan*, and approval of a site-specific development plan with the condition that a *variance* be obtained shall not confer a vested right unless and until the necessary *variance* is obtained. Neither a sketch plan nor any other document which fails to describe with reasonable certainty the type and intensity of *use* for a specified parcel/parcels or property may constitute a site-specific development plan. (See *NCGS* §153A-344.1(b)(5)).

Sketch Plan (Soil Erosion and Sedimentation Control). A graphic illustration used to depict proposed *land-disturbing activities*.

Slope. The level inclination of land from the horizontal plane determined by dividing the horizontal run of the land into the vertical rise of the same land and converting the result into a percentage value. For purposes of measurement, property must be at least 25 feet vertically and 50 feet horizontally. See Figure 19A, for measuring slope.

Figure 19A. Measurement of Slope

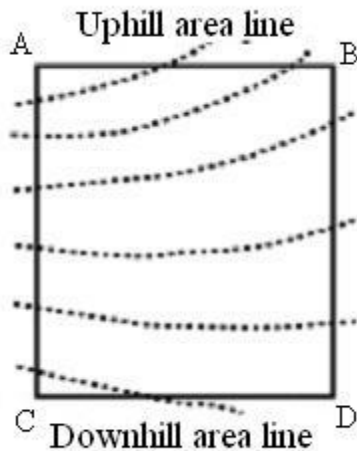
Not to Scale



Slope, Average. Calculating the average slope of the disturbed area is based on the elevations at the corners. An imaginary rectangle or square would have to be applied to calculate the area. The average slope is calculated by subtracting the average elevation of the uphill area line and the average elevation of the downhill area line and dividing the sum by the average distance between the two (2) area lines. The average elevation of the uphill or downhill area line is calculated by adding the elevations at the ends of the area line and dividing by two (see Figure 19B, for calculating average slope).

Figure 19B. Calculating Average Slope

Not to Scale



Average elevation of uphill area line — Average elevation of downhill area line

$$\frac{\left(\frac{A+B}{2} \right) - \left(\frac{C+D}{2} \right)}{\frac{\text{Length of line AC} + \text{Length of line BD}}{2}}$$

Slope, Steep. A slope greater than 25 percent, identified as part of: (1) a County Soil Survey prepared by the USDA Natural Resources Conservation Service; and/or (2) a site analysis conducted by a registered professional engineer, professional land surveyor, landscape architect, architect or land planner and calculated using topographic maps from an actual survey or from the US Geological Society.

Small Area Plan. A plan that covers specific subareas of the County. These plans provide basic information in the natural features, resources and physical constraints that affect development of the planning area. They also specify detailed land *use* designation used to review specific development proposal and to plan services and facilities.

Small Area Zoning Study. An application which is both too large and too disconnected from other zoning districts to be considered as a standard rezoning application and which, should be considered as a small area zoning study based on Planning Board determination.

Soil Erosion and Sedimentation Control Administrator. (See *Administrator Soil Erosion and Sedimentation Control*).

Solid Waste. Hazardous or non-hazardous garbage or other refuse, rubbish, litter, trash, tires, and other discarded solid materials and solid or semisolid waste materials resulting from industrial, commercial and agricultural operations and from community activities, but does not include solids or dissolved materials in domestic sewage or other significant pollutants in water resources, such as silt, dissolved or suspended solids in industrial *wastewater* effluent, dissolved materials in irrigation return flows or other common waster pollutants. As used herein, “solid waste” shall refer collectively to any or all of the aforementioned waste materials, unless otherwise specified.

Solid Waste Disposal Facility. Any land, personnel and equipment used in the management of *solid waste*. *Solid waste* management facilities include the following: transfer stations, *landfills* or *materials recovery facilities*. Specifically excluded from this definition and any regulation under this Chapter are: incinerators; *drop-off recycling centers*; and those *solid waste* management facilities that are constructed and/or operated by or on behalf of any local, state or federal governmental entity (provided, however, that this exclusion from regulation only applies to those *solid waste* management facilities not operating as a hazardous waste disposal facility or radioactive waste disposal facility (which are prohibited in all zones)).

Solid Waste Disposal Facility (Flood). Land, personnel and equipment used in the management of *solid waste*. *Solid waste* management facilities include the following: a) transfer station; b) *landfill*; or c) materials recovery facility.

Solid Waste Disposal Site. The same as “*solid waste disposal site*” as defined as in (NCGS §130A-290(a)(36)).

Special Fill Permit. A permit granted pursuant to the procedures set out in of this Chapter to fill an area of the *floodway fringe* greater than the area of *floodway fringe* permitted by this Chapter in accordance with the requirements of this Chapter.

Special Flood Hazard Area (SFHA). The land in the *floodplain* subject to a one (1) percent or greater chance of being flooded in any given year, determined in Henderson County Flood Damage Prevention Ordinance.

Special Use. *Uses* that are generally compatible with land *uses* permitted in a general *use district*, however, because of their unique characteristics or potential impacts on the surrounding *neighborhood* and/or the County as a whole, require individual consideration of their location, design, configuration and/or operation at the particular location proposed. A special use must meet both the specific standards for the *use* as well as the general standards for the issuance of special use permits. Special uses are permitted *uses* which require a special use permit.

Sporting and Recreational Facilities. A recreation facility that is devoted to sporting and which may include: public or private operations, courts (basketball, tennis, etc.), swimming pools, batting cages, shuffleboard areas and/or other such *uses* that fit the intent of this Chapter as interpreted by the *Zoning Administrator*.

Start of Construction. Includes *substantial improvement*, and means the date the building permit was issued, provided the actual *start of construction*, repair, reconstruction, rehabilitation, *addition*, placement or other improvement was within 180 days of the permit date. The actual start means either the first placement of permanent construction of a *structure* (including a *manufactured/mobile home*) on a site, such as the pouring of slabs or footings, installation of piles, construction of columns, or any work beyond the state of excavation; or the placement of a *manufactured/mobile home* on a foundation. Permanent construction does not include land preparation, such as clearing, grading and filling; nor does it include the installation of *roads* and/or walkways; nor does it include excavation for a *basement*, footings, piers or foundations or the erection of temporary forms; nor does it include the installation on the property of *accessory structures*, such as *garages* or sheds not occupied as *dwelling units* or not part of the main *structure*. For *substantial improvement*, the actual *start of construction* means the first alteration of any wall, ceiling, *floor* or other structural part of the *building*, whether or not that alteration affects the external dimensions of the *building*.

State Road Standards. Those standards contained in the *NCDOT* publication *Subdivision Roads—Minimum Construction Standards*, dated January 1, 2000, as amended.

Steep Slope. (See Slope, Steep).

Stop-Work Order. The *Zoning Administrator* may issue a stop-work order where *floodplain* development is occurring, in accordance with specific procedures and reasons outlined therefore.

Storm Drainage Facilities. The system of inlets, conduits, channels, ditches and appurtenances which serve to collect and convey stormwater through and from a given drainage area.

Stormwater Runoff. The surface flow of water resulting from precipitation in any form and occurring immediately after rainfall or melting.

Structure. That which is built or constructed (North Carolina State Building Code, Chapter 2, Section 202).

Structure (Flood). Anything constructed or erected, the *use* of which requires permanent location on the ground or which is attached to something having permanent location on the ground; however, anything constructed or erected solely to provide ingress and egress to the site, ornamental enhancement of the property (exclusive of *buildings*), site stabilization, on-site utilities/lighting or property fencing shall not be considered a *structure* for the purposes of this Chapter.

Structure, Accessory. A *structure* which is located on the same parcel of property as the *principal structure*, the *use* of which is incidental to the *use* of the *principal structure*. *Garages*, *carports* and storage sheds are common accessory structures. Pole barns, hay sheds and the like qualify as accessory structures on farms, and may or may not be located on the same parcel as the farm dwelling or shop *building*. This term expressly includes aircraft hangars.

Structure, Alternative. A *structure* which is not primarily constructed for the purpose of holding *antennas*, but on which one or more *antennas* may be mounted. *Alternative structures*

include, but are not limited to: *buildings*, water tanks, *pole signs*, *billboards* and electric power transmission towers.

Structure, Principal. A *structure* in which is conducted, or in which is intended to be conducted, the main or *principal use* of the *lot* on which it is located.

Structure, Temporary. A *structure* placed and permitted on a temporary basis.

Subdivision. All divisions of a *tract* or parcel of land into two (2) or more *lots*, building sites or other divisions for the purpose of sale or development (whether immediate or future) and shall include all divisions of land involving the dedication of a new *road* or a change in existing *roads*, but the following shall not be included within this definition:

- (1) Combination or *recombination* of portions of previously subdivided and recorded *lots* where the total number of *lots* is not increased, and the resultant *lots* are equal to or exceed the standards of this Chapter;
- (2) Division of land into parcels greater than ten (10) acres where no *road right-of-way* dedication is involved;
- (3) Public acquisition by purchase of strips of land for the widening or opening of *roads*; or
- (4) Division of a *tract* in single ownership whose entire area is no greater than two (2) acres into not more than three (3) *lots*, where no *road right-of-way* dedication is involved and where the resultant *lots* are equal to or exceed the standards of this Chapter and the *subdivision* regulations for the County (NCGS §153A-335).

Subdivision, Major. A proposed *subdivision* of land where 11 or more *lots* or parcels will result after the *subdivision* is complete.

Subdivision, Minor. A proposed *subdivision* of land where not more than ten (10) *lots* or parcels will result after the *subdivision* is complete. One (1) *phase* of a development cannot be considered a *minor subdivision* unless the entire development does not exceed ten (10) *lots*.

Subdivision, Nonstandard. The proposed *subdivision* of land for purposes other than individual residential *lot* development including:

- (1) Facilities such as *utility substation* sites, meter vaults, pump station sites, *sign lots*, etc.;
- (2) Cemetery plots;
- (3) Designated *open space* or *common area* sites; and/or
- (4) Any other *subdivision* of land which does not fall within a category herein designated.

Subdivision Administrator. (See *Administrator, Subdivision*).

Subsidiary. An *affiliate* that is directly or indirectly, through one or more intermediaries, controlled by another *person*.

Substantial Damage. Damage of any origin sustained by a *structure* whereby the cost of restoring the *structure* to its before-damaged condition would equal or exceed 50 percent of the *market value* of the *structure* before the damage occurred. Improvements, modifications and *additions* to existing *buildings* are counted cumulatively for a minimum of five (5) years.

Substantial Improvement. Repair, reconstruction, rehabilitation, *addition* or other improvement of a *structure*, the cost of which equals or exceeds 50 percent of the fair *market value* of the *structure* before the *start of construction* of the improvement, or when an existing *building* is structurally altered such that the first floor area is increased by more than 20 percent. Improvements, modifications and *additions* to existing *buildings* are counted cumulatively for a

minimum of five (5) years. This term includes *structures* which have incurred *substantial damage*, regardless of the actual repair work performed. The term does not, however, include either:

- (1) Any correction of existing *violations* of state or Henderson County health, sanitary or safety code specifications which have been identified by the community code enforcement official and which are the minimum necessary to assure safe living conditions; or
- (2) Any alteration of an *historic structure* provided that the alteration will not preclude the *structure's* continued designation as an *historic structure*.

Substantive Amendment. (See *Amendment, Substantive*).

Swim and Tennis Club. An establishment primarily engaged in operating fitness and recreational sports facilities featuring exercise and other active physical fitness conditional or recreational sports activities, such as swimming, skating or racquet sports.

Swimming Pool, Spa, Hot Tub, Residential. Swimming pools, spas and hot tubs built on the same site as, and for the *use* of those residing in a *dwelling unit*.

Synagogue. (See *Religious Institution*).

Temple. (See *Religious Institution*).

Ten-Year Storm. The *stormwater runoff* resulting from precipitation of an intensity expected to be equaled or exceeded, on the average, once in ten (10) years, and of a duration which will produce the maximum peak rate of runoff for the watershed of interest under average antecedent wetness conditions.

Tenant. A *person*, corporation, partnership or group, whether or not the legal owner of record, occupying a *building* or portion thereof as a unit.

Text Amendment. (See *Amendment, Text*).

Thoroughfare. Thoroughfares feature characteristics of moderate to low mobility and high accessibility. Access control points are allowed, but limited. No control of access is allowed in the category. Traffic signals are allowed and recommended at one-half (1/2) mile intervals. *Driveways* are allowed with full movement, but are still recommended to be consolidated or shared if possible. This category includes all *roads* with a two-way center left-turn lane, but no *roads* with medians. Speed limits are posted between 25 to 55 miles per hour.

Toxic Substance. A substance or combination of substances (including disease-causing agents) which, after discharge and upon exposure, ingestion, inhalation or assimilation into any organism, either directly from the environment or indirectly by ingestion through food chains, has the potential to cause death, disease, behavioral abnormalities, cancer, genetic mutations, physiological malfunctions (including malfunctions or suppression in reproduction or growth) or physical deformities in such organisms or their offspring or other adverse health effects.

Tract. An area, site, piece of land or property which is the subject of a development application. A tract may contain one or more smaller parcels or *lots* all under/in the same ownership or control.

Tract (Soil Erosion and Sedimentation Control). All contiguous land and bodies of water being disturbed or to be disturbed as a unit, regardless of ownership.

Trail. A public or private path of travel for recreation and/or transportation within a *park*, natural environment or designated corridor (not to be a highway or *road*).

Transit and Ground Passenger Transportation. An establishment comprised of a variety of passenger transportation activities such as: chartered bus, school bus, interurban bus transportation and taxis. These activities are defined by *vehicle* type, route and schedule.

Travel Trailer. (See *Recreational Vehicle*).

Travel Trailer Park. (See *Recreational Vehicle Park*).

Traveled Way. A means of access to a property. Typically this shall mean a public or private *road*. Where no public or private *road* adjoins a property, the vehicular access to a personal drive shall be considered as the *traveled way* for purposes of determining *front yard* requirements.

Traveled Way, Edge. The edge of the *road* pavement on a paved *road* or the edge of the riding surface on an unpaved *road* or drive.

Travelway. The portion of a *road*, highway, *driveway*, access *road* corridor, *right-of-way*, etc., that is designed and maintained for the purpose of accommodating vehicular passage. Specifically excluded are *road* shoulders, ditches, curb and gutter systems, other drainage facilities and unimproved *road rights-of-way* not intended to be driven on by *vehicles*.

TRC. Technical Review Committee.

Tree. A living, self-supporting woody perennial plant which normally obtains a trunk diameter of at least two (2) inches and a height of at least ten (10) feet, and typically has one (1) main stem and many branches.

Tree, Large. A *tree* whose height under average regional growing conditions will exceed 35 feet in height at maturity.

Tree, Small. A *tree* whose height under average regional growing conditions will be 35 feet in height or less at maturity.

Truck Terminals. An establishment primarily engaged in providing services to trucks which may include offices of transport companies, easy loading and unloading facilities and large parking areas for idle trucks.

Twenty-Five Year Storm. The *stormwater runoff* resulting from precipitation of an intensity expected to be equaled or exceeded on the average, once in 25 years, and of a duration which will produce the maximum peak rate of runoff for the watershed of interest under average antecedent wetness conditions.

Uncovered. The removal of *ground cover* from, on, or above the soil surface.

Undertaken (Soil Erosion and Sedimentation Control). The initiating of any activity, or phase of activity, which results or will result in a change in the *ground cover* or topography of a *tract* of land.

Unique Natural Area. An area that meets the criteria for qualifications as a natural heritage area as prescribed in *NCAC* Chapter 15A-12H, Section 0202.

Urgent Care Clinic. A full service walk-in medical clinic (which may include a physical therapy facility) which provides immediate/urgent health care services (including services for individuals with sudden, serious and unexpected illnesses, injuries or conditions which require

immediate medical attention) but which does not provide emergency medical/emergency room services.

Use. The purpose or activity for which a piece of land (or portion thereof) and/or its *structures* (or portion thereof) is/are designed, arranged or intended or for which it/they is/are occupied or maintained.

Use, Accessory. A *use* customarily incidental and subordinate to a *principal use*, located within a *principal* and/or *accessory structure*.

Use, Existing. Those *uses* that, at a minimum, have established a vested right under North Carolina zoning law.

Use, Principal. The specific primary purpose for which land is used.

Use, Temporary. A *use* permitted on a temporary basis.

Use District. A zone established through this Chapter which regulates the *use* of land. use districts are applied to particular *tracts* of land by the Board of Commissioners through a *zoning map amendment* in accordance with this Chapter. When a use district is applied to a particular *tract* of land, the land is said to have been “zoned.” Use districts each contain a variety of *uses* which are generally compatible with one another and which accomplish the stated purpose of the district.

USGS. United States Geological Survey.

Utility Substation. Substation engaged in the operating of utilities such as, but not limited to, electricity, water, sewer, telephone and cable. Substations arrange, facilitate or coordinate the transmission of a utility from the generating source to the distribution centers, other utilities or final consumers.

Variance. A grant of relief from the requirements of this Chapter (excluding *variances* from *watershed* and *floodplain* development requirements).

Variance, Watershed Local. A *variance* from the minimum statewide *water supply watershed* protection criteria that results in the relaxation, by a factor of up to ten (10) percent, of any management requirement under the low-density option.

Variance, Watershed Major. A *variance* from the minimum statewide *water supply watershed* protection criteria that results in any of the following:

- (1) The relaxation, by a factor greater than ten (10) percent, of any management requirement under the low-density option.
- (2) Any variation in the design, maintenance or operation requirements of a wet detention pond or other approved stormwater control system.

Vehicle (Gate Regulations). Any *motor vehicle* which is allowed to *use* the public roadways in North Carolina, but not including *vehicles* which include trailers or semi-trailers (See Chapter 89 of the Henderson County Code, *Entry Gate*).

Vehicle Graveyard. A parcel of land having an *accessory use* consisting of the storage or keeping of five (5) or more wrecked, scrapped, ruined, dismantled, *junked* or *inoperable motor vehicles* (including but not limited to cars, trucks, tractor trailers, boats, motorcycles or jet skis or other motorized equipment) located on a land parcel or adjacent land parcels under the same ownership or control, if such storage or keeping is not enclosed within a *structure(s)*.

Velocity. The average velocity of flow through the cross section of the main channel at the peak flow of the storm of interest. The cross section of the main channel shall be that area defined by the geometry of the channel plus the area of flow below the *flood* height defined by vertical lines at the main channel banks. Overload flows are not to be included for the purpose of computing velocity of flow.

Vertical Clearance. A minimum established height clearance required for the passage of emergency *vehicles*. For the purposes of this Chapter, *vertical clearance* shall be a minimum of 13 feet, six (6) inches.

Violation. The failure of a *structure* or other development to be fully compliant with the County's regulations.

Violation (Flood Damage Prevention). The failure of a *structure* or other development to be fully compliant with the County's flood damage prevention regulations. A *structure* or other development without an elevation certificate, other certifications or other evidence of compliance with the flood damage prevention requirements, is presumed to be in *violation* until such time as that documentation is provided.

Warehousing and Storage. An establishment primarily engaged in operating warehousing and storage facilities (excluding warehousing of hazardous substances).

Waste (Soil Erosion and Sedimentation Control). Surplus materials resulting from on-site *land-disturbing activities* and being disposed of at other locations.

Waste Collection and Transfer Facility (Hazardous). An establishment primarily engaged in: (1) collecting and/or hauling hazardous waste; and/or (2) operating hazardous waste transfer stations. Hazardous waste collection establishments may be responsible for the identification, treatment, packaging and labeling of wastes for the purposes of transport.

Waste Collection and Transfer Facility (Non-hazardous). An establishment primarily engaged in: (1) collecting and/or hauling non-hazardous waste and/or recyclable materials; and/or (2) operating non-hazardous waste transfer stations. Non-hazardous waste collection establishments may be responsible for the identification, treatment, packaging and labeling of wastes for the purposes of transport.

Wastewater. Sewage or industrial process wastewater discharged, transmitted or collected from any place into sewage disposal (wastewater) system.

Wastewater Treatment Plant. A facility containing a series of tanks, screens, filters, and other combination of physical, chemical and biological processes to treat *wastewater* so that less harmful byproducts result as pollutants are removed.

Wastewater Treatment Plant, Small Accessory. A facility, including package wastewater treatment plants, containing a series of tanks, screens, filters, and other combination of physical, chemical and biological processes to treat *wastewater* so that less harmful byproducts result as pollutants are removed. These facilities are intended to be accessory to and used for a single development (i.e. *subdivision, shopping mall, etc.*), and is not designed to serve multiple developments.

Water Dependent Structure. *Structure* for which the *use* requires access to, proximity to or siting within surface waters to fulfill its basic purpose such as boat ramps, boathouses, piers,

docks and *bulkheads*. Ancillary facilities, such as restaurants, outlets for boat supplies, parking lots and commercial boat storage areas are not water dependent structures.

Water Supply System. A system for the collection, treatment, storage and distribution of potable water from the source of supply to the consumer. A water supply system may be of the following types:

- (1) Private Well Water Supply. Any water supply furnishing potable water to less than 15 residences or 25 persons.
- (2) Public Water System.
 - a. A system for the provision to the public of piped water for human consumption that serves 15 or more service connections or which regularly serves 25 or more individuals. The term includes:
 1. Any collection, treatment, storage or distribution facility under the control of the operator of the system and used primarily in connection with the system; or
 2. Any collection or pretreatment storage facility not under the control of the operator of the system that is used primarily in connection with the system.
 - b. A public water system is either a “community water system” or a “noncommunity water system” as follows:
 1. “Community water system” is a public water system that serves 15 or more service connections or which regularly serves at least 25 year-round residents.
 2. “Noncommunity water system” is a public water system that is not a community water system.
- (3) Municipal Water System. A public water system owned and operated by a *local government*.

Water Supply Watershed. An area designated by the North Carolina Environmental Management Commission, delineated on the official map entitled "Henderson County Water Supply Watershed Protection Map," and regulated by this Chapter.

Water Surface Elevation (WSE). The height, in relation to *mean sea level*, of floods of various magnitudes and frequencies in the *floodplains* of *riverine* areas.

Watercourse (Flood). A lake, river, creek, stream, wash, channel, or other topographic feature on or over which waters flow at least periodically. Watercourse includes specifically designated areas in which substantial flood damage may occur.

Watershed. The entire land area contributing surface drainage to a specific point, such as the water supply intake.

Watershed Administrator. (See *Administrator, Watershed*).

Watershed Map. A map on file with the *Watershed Administrator* which may be produced digitally at different scales, titled "Henderson County Water Supply Watershed Map," which shows the boundaries of each *watershed* district and their respective classification, where such map is approved by the Henderson County Board of Commissioners and includes, at a minimum, the *watershed* districts adopted by the North Carolina Environmental Management Commission or any other authorized agency of the state.

Wetlands. Lands transitional between terrestrial and aquatic systems where the water table is usually at or near the surface or the land is covered by shallow water. For purposes of this classification wetlands must have one or more of the following three (3) attributes: (1) at least periodically, the land supports predominantly hydrophytes; (2) the substrate is predominantly undrained hydric soil; and (3) the substrate is nonsoil and is saturated with water or covered by shallow water at some time during the growing season of the year (US Fish and Wildlife Service, National Wetlands Inventory).

Wholesale Trade. An establishment primarily engaged in selling and/or arranging the purchase of goods to other businesses at wholesale.

Working Days. Days exclusive of Saturday and Sunday during which weather conditions or soil conditions permit *land-disturbing activity* to be *undertaken*.

WS. *Watershed*.

Yard. An open space on the same *lot* with a *structure*.

Yard, Front. An open, unoccupied space on the same *lot* with a *principal structure*, extending the full width of the *lot* and situated between the *road* or property line and the front line of the *structure*, projected to the sidelines of the *lot*.

Yard, Rear. An open, unoccupied space on the same *lot* with a *principal structure*, extending the full width of the *lot* and situated between the rear property line and the rear line of the *structure*, projected to the sidelines of the *lot*.

Yard Sale. A *temporary use* for the purpose of informal sales conducted by occupants of private households at their dwelling premises (including *garage*, porch, *carport* and estate auction sales).

Yard, Side. An open, unoccupied space on the same *lot* with a *principal structure* situated between the *structure* and the side property line and extending from the rear line of the *front yard* to the front line of the *rear yard*.

Youth Center. An establishment primarily engaged in providing nonresidential social assistance services for children and youth. These establishments provide for the welfare of children in such areas as adoption and foster care, drug prevention, life skills training and positive social development. This excludes those youth centers for recreational purposes only.

ZBA. Zoning Board of Adjustment.

Zoning Administrator. (See *Administrator, Zoning*).

Zoning Compliance Inspection. A zoning compliance inspection is made, where required, following the issuance of a *zoning permit* and prior to the issuance of a Certificate of Occupancy.

Zoning Map/Henderson County Zoning Map. The Official Zoning Map of Henderson County.

Zoning Permit. A permit issued by the County conferring the right to undertake and complete the development of and *use* of property in accordance with the standards of this Chapter.