



LAND DEVELOPMENT CODE

**Adopted September 19, 2007
As Amended Through August 5, 2024**

**LAND DEVELOPMENT CODE OF
HENDERSON COUNTY, NORTH CAROLINA
TABLE OF CONTENTS**

ARTICLE I. GENERAL PROVISIONS	Page
§42-1. Title	1
§42-2. Statutory Authority	1
§42-3. Purpose.....	1
§42-4. Jurisdiction.....	1
§42-5. Rules of Construction	2
§42-6. Official Zoning Map	2
§42-7. Interpretation of District Boundaries	2
§42-8. Compliance	3
§42-9. Farm Exemption.....	3
§42-10. Principal Use.....	3
§42-11. Location of a Nonresidential Use	3
§42-12. Relation to the Comprehensive Plan.....	4
§42-13. HOA and Other Restrictive Covenants.....	4
§42-14. Reserved.....	4
§42-15. Reserved.....	4
§42-16. Reserved.....	4
§42-17. Reserved.....	4
§42-18. Reserved.....	4
§42-19. Reserved.....	4
§42-20. Reserved.....	4
§42-21. Reserved.....	4
 ARTICLE II. ZONING DISTRICT REGULATIONS	
§42-22. Application of Regulations	7
Subpart A. General Use Zoning Districts	
§42-23. General Use Zoning Districts.....	7
§42-24. General Use District Requirements	7
§42-25. General Use Density and Dimensional Requirements.....	8
§42-26. Guide to Table of Permitted and Special Uses	8
§42-27. Residential District One (R1).....	10
§42-28. Residential District Two (R2).....	12
§42-29. Residential District Two Rural (R2R)	14
§42-30. Residential District Three (R3).....	16
§42-31. Residential District Four (R4).....	18
§42-32. Office & Institutional District (OI).....	20
§42-33. Local Commercial District (LC)	22
§42-34. Community Commercial District (CC).....	24
§42-35. Regional Commercial District (RC)	26
§42-36. Industrial District (I)	28
§42-37. Estate Residential District (R-40)	29
§42-38. Waterfront Residential District (WR).....	36

§42-39.	Surface Water District (SW).....	39
§42-40.	Reserved.....	39
§42-41.	Reserved.....	39
§42-42.	Reserved.....	40
§42-43.	Reserved.....	40
§42-44.	Reserved.....	40
Subpart B. Conditional Zoning Districts		
§42-45.	Conditional Zoning Districts Established.....	41
§42-46.	Plans and Other Information to Accompany Petition.....	42
§42-47.	Approval of Conditional Zoning District.....	42
§42-48.	Conditions to Approval of Petition.....	42
§42-49.	Effect of Approval.....	42
§42-50.	Alterations to Approval.....	43
§42-51.	Review of Approval of a Conditional Zoning District.....	43
Subpart C. Overlay Districts		
§42-52.	Overlay Districts Established.....	45
§42-53.	Airport Overlay District (AI) (Reserved).....	45
§42-54.	Corridor Overlay District (Reserved).....	45
§42-55.	Reserved.....	45
§42-56.	Reserved.....	45
§42-57.	Reserved.....	45
§42-58.	Reserved.....	45
§42-59.	Reserved.....	45
§42-60.	Water Supply Watershed Protection Overlay District (WSWP).....	45
Subpart D. Table of Permitted and Special Uses		
§42-61.	Table of Permitted and Special Uses.....	55
Subpart E. Supplemental Requirements to the Table of Permitted and Special Uses		
§42-62.	Supplemental Requirements to the Table of Permitted and Special Uses.....	61
§42-63.	Reserved.....	125
§42-64.	Reserved.....	125
§42-65.	Reserved.....	125
§42-66.	Reserved.....	125
§42-67.	Reserved.....	125
§42-68.	Reserved.....	125
§42-69.	Reserved.....	125
§42-70.	Reserved.....	125
§42-71.	Reserved.....	125
§42-72.	Reserved.....	125

ARTICLE III. SUBDIVISION REGULATIONS

Subpart A. Subdivision General Regulations

§42-73.	Purpose.....	131
§42-74.	Comprehensive Plan.....	131
§42-75.	Approval for Subdivision Plats.....	132
§42-76.	Land Disturbing and Construction Activity.....	132
§42-77.	Subdivision Types.....	132

§42-78.	Aggregation.....	132
§42-79.	Reserved.....	132
§42-80.	Reserved.....	132
Subpart B. Regulations Applicable to All Subdivision Types and Subtypes		
§42-81.	Road Frontage and Existing Off-Site Access	133
§42-82.	Lot Designs	133
§42-83.	Certificate of Understanding.....	133
§42-84.	Subdivision Names and Name Signs	133
§42-85.	Cemeteries.....	133
§42-86.	Advisory Provisions.....	134
§42-87.	Conservation Subdivision Standards	134
§42-88.	Reserved.....	136
§42-89.	Reserved.....	136
§42-90.	Reserved.....	136
Subpart C. Subdivision Standards by Type		
§42-91.	Nonstandard Subdivisions	137
§42-92.	Special Subdivisions	137
§42-93.	Minor Subdivisions (Ten (10) or Fewer Lots)	137
§42-94.	Major Subdivisions (Eleven (11) or more Lots or Commercial, Office Institutional, or Industrial)	137
§42-95.	Affordable Housing Subdivisions (Reserved)	141
Subpart D. Subdivision Road Standards Applicable to All Subdivision Types and Subtypes		
§42-96.	Road Disclosure	141
§42-97.	Right-of-Way	141
§42-98.	Out of County Access	141
§42-99.	Existing Private Roads.....	142
§42-100.	Road Construction	142
§42-101.	Shoulder Stabilization.....	142
§42-102.	Road Names.....	142
§42-103.	Road Name Signs and Regulatory Signs	143
§42-104.	Road Drainage and Culverts	143
§42-105.	Stub Roads	143
§42-106.	Road Type Designation.....	143
§42-107.	Private Road Standards for Commercial, Office Institutional, Industrial, and Mixed-Use Subdivisions.....	143
§42-108.	Residential Private Road Standards by Road Classification.....	143
§42-109.	Additional Road Design Standards Applicable to all Road Classifications	146
§42-110.	Private Road Standard Reductions.....	148
§42-111.	Reserved.....	149
§42-112.	Reserved.....	149
§42-113.	Reserved.....	149
Subpart E. Subdivision Improvement Guarantees		
§42-114.	General	149
§42-115.	Cost Estimate Standards	150
§42-116.	Improvement Guarantee Instrument	150
§42-117.	Amount and Terms of Guarantee; Time Limits	151

§42-118. Violations and Penalties152
§42-119. Reserved152
§42-120. Reserved.....152
§42-121. Reserved.....152
§42-122. Reserved.....152

Subpart F. Application, Enforcement and Legal Status Provisions

§42-123. Designation of Agent152
§42-124. Approval Prerequisite to Plat Recordation152
§42-125. Certification of Exemptions.....152
§42-126. Plat Approval Required for Building Permit153
§42-127. Land Auctions153
§42-128. Limitation on Applications Pending153
§42-129. Violations and Penalties.....154
§42-130. Reserved.....154
§42-131. Reserved.....154
§42-132. Reserved.....154
§42-133. Reserved.....154
§42-134. Reserved.....154

ARTICLE IV. ADEQUATE PUBLIC FACILITIES REGULATIONS

§42-135. Traffic Impact Study159
§42-136. Emergency Services Impact Report.....161
§42-137. Reserved.....161
§42-138. Reserved.....161
§42-139. Reserved.....161
§42-140. Reserved.....161
§42-141. Reserved.....161
§42-142. Reserved.....161
§42-143. Reserved.....161
§42-144. Reserved.....161
§42-145. Reserved.....161
§42-146. Reserved.....161
§42-147. Reserved.....161
§42-148. Reserved.....161
§42-149. Reserved.....162
§42-150. Reserved.....162
§42-151. Reserved.....162
§42-152. Reserved.....162
§42-153. Reserved.....162
§42-154. Reserved.....162
§42-155. Reserved.....162
§42-156. Reserved.....162
§42-157. Reserved.....162
§42-158. Reserved.....162
§42-159. Reserved.....162

§42-160. Reserved.....162
 §42-161. Reserved.....162
 §42-162. Reserved.....162
 §42-163. Reserved.....162
 §42-164. Reserved.....162

ARTICLE V. LANDSCAPE DESIGN STANDARDS

§42-165. General.....165
Subpart A. Buffer Requirements
 §42-166. General.....165
 §42-167. Buffer Determination165
 §42-168. Plant Material.....165
 §42-169. Plant Material Placement166
Subpart B. Parking Lot Landscaping Standards
 §42-170. General.....166
 §42-171. Plant Material Placement166
 §42-172. Planting Strip166
 §42-173. Parking Island167
 §42-174. Non-Curbed Parking Lot.....167
Subpart C. Street Tree Requirements (Major Subdivisions)
 §42-175. General.....167
 §42-176. Plant Material.....168
 §42-177. Plant Material Placement168
Subpart D. Screening and Fencing Requirements
 §42-178. General.....168
 §42-179. Plant Material Placement168
 §42-180. Buffer Type and Screening.....168
 §42-181. Screen Classification.....168
Subpart E. General Landscaping Standards
 §42-182. General.....170
 §42-183. Plant Specifications.....170
 §42-184. Credits for Preserving Existing Trees171
 §42-185. Landscaping Improvement Guarantee173
 §42-186. Alternative Compliance173
 §42-187. Reserved.....173
 §42-188. Reserved.....173
 §42-189. Reserved.....173
 §42-190. Reserved.....173
 §42-191. Reserved.....173
Subpart F. Landscaping Recommended Species List174

ARTICLE VI. OFF-STREET PARKING AND LOADING STANDARDS

Subpart A. Off-Street Parking and Loading Standards
 §42-192. General.....181
 §42-193. Required Number of Spaces for Off-Street Parking.....181
 §42-194. Design of Parking Areas181

§42-195.	Placement of Parking	182
§42-196.	Off-Street Loading Required	183
§42-197.	Design of Off-Street Loading	184
§42-198.	Reserved.....	184
§42-199.	Reserved.....	184
§42-200.	Reserved.....	184
§42-201.	Reserved.....	184
§42-202.	Reserved.....	184
 ARTICLE VII. SIGN REGULATIONS		
§42-203.	General.....	189
Subpart A. General Sign Standards		
§42-204.	General.....	189
§42-205.	Prohibited Signs.....	189
§42-206.	Permit Requirements.....	189
§42-207.	Sign Placement.....	189
§42-208.	Sign Area Determination	190
§42-209.	Lighting Standards.....	191
§42-210.	Property Address Signs	191
§42-211.	Reserved.....	191
§42-212.	Reserved.....	191
§42-213.	Reserved.....	191
§42-214.	Reserved.....	191
§42-215.	Reserved.....	191
Subpart B. Exempt Sign Standards		
§42-216.	General.....	191
§42-217.	Exempt Sign Standards.....	191
Subpart C. On-Premise Sign Standards		
§42-218.	General.....	192
§42-219.	Residential Zoning Districts	192
§42-220.	Office, Institutional, and Commercial Zoning Districts	193
§42-221.	Industrial Zoning District.....	194
Subpart D. Off-Premise Sign Standards		
§42-222.	General.....	195
§42-223.	Commercial and Industrial Districts, Urban Service Area	195
§42-224.	Reserved.....	196
§42-225.	Reserved.....	196
§42-226.	Reserved.....	196
Subpart E. Sign Maintenance		
§42-227.	Sign Maintenance.....	196
§42-228.	Reserved.....	196
§42-229.	Reserved.....	196
 ARTICLE VIII. NATURAL RESOURCES		
Subpart A. Flood Damage Prevention		
§42-230.	General.....	199

§42-231.	Statutory Authorization, Findings of Fact, Purpose and Objectives.....	199
§42-232.	General Provisions	200
§42-233.	Administration	202
§42-234.	Flood Hazard Reduction	204
§42-235.	Legal Status.....	211
§42-236.	Reserved.....	212
Subpart B. Water Quality		
§42-237.	General Provisions	212
§42-238.	Water Supply Watershed Regulations	215
§42-239.	Stormwater Management Regulations.....	217
§42-240.	Structural and Nonstructural Stormwater BMPs Maintenance.....	221
§42-241.	Responsible Persons/Entities	224
§42-242.	Fees	224
§42-243.	Effective Date	224
§42-244.	Severability	225
§42-245.	Reserved.....	225
§42-246.	Reserved.....	225
§42-247.	Reserved.....	225
§42-248.	Reserved.....	225
§42-249.	Reserved.....	225
Subpart C. Perennial and Intermittent Surface Water Buffers		
§42-250.	Perennial and Intermittent Surface Water Buffers.....	225
Subpart D. Protected Mountain Ridges		
§42-251.	Protected Mountain Ridges.....	226
Subpart E. Soil Erosion and Sedimentation Control		
§42-252.	Purpose.....	230
§42-253.	Scope and Exclusions	230
§42-254.	Mandatory Standards for Land Disturbing Activity	231
§42-255.	Erosion and Sedimentation Control Plans	233
§42-256.	Basic Control Objectives	238
§42-257.	Design and Performance Standards	238
§42-258.	Stormwater Outlet Protection	239
§42-259.	Borrow and Waste Areas	241
§42-260.	Access and Haul Roads.....	241
§42-261.	Operations in Lakes or Natural Watercourses	241
§42-262.	Responsibility for Maintenance	241
§42-263.	Additional Measures	242
§42-264.	Reserved.....	242
§42-265.	Fees	242
§42-266.	Plan Appeals	242
§42-267.	Inspections and Investigations	242
§42-268.	Penalties	243
§42-269.	Injunctive Relief.....	246
§42-270.	Restoration After Non-Compliance	246
§42-271.	Severability	246
§42-272.	Effective Date	246

§42-273. Reserved.....246
 §42-274. Reserved.....246
 §42-275. Reserved.....246
 §42-276. Reserved.....246
 §42-277. Reserved.....246
 §42-278. Reserved.....246
 §42-279. Reserved.....246
 §42-280. Reserved.....246
 §42-281. Reserved.....247
 §42-282. Reserved.....247
 §42-283. Reserved.....247
 §42-284. Reserved.....247
 §42-285. Reserved.....247
 §42-286. Reserved.....247
 §42-287. Reserved.....247
 §42-288. Reserved.....247
 §42-289. Reserved.....247
 §42-290. Reserved.....247
 §42-291. Reserved.....247
 §42-292. Reserved.....247

ARTICLE IX. NONCONFORMITIES

§42-293. General.....251
 §42-294. Nonconforming Lots.....251
 §42-295. Nonconforming Structures.....251
 §42-296. Nonconforming Structures Containing Nonconforming Uses.....252
 §42-297. Nonconforming Uses253
 §42-298. Nonconforming Commercial and Industrial Uses/Structures within the former
 Open Use (OU) Zoning District.....254
 §42-299. Exemptions and Modifications from Regulations254
 §42-300. Reserved.....254
 §42-301. Reserved.....254

ARTICLE X. DECISION MAKING, ADMINISTRATIVE AND ADVISORY BODIES

§42-302. Henderson County Board of Commissioners257
 §42-303. Henderson County Planning Board257
 §42-304. Henderson County Zoning Board of Adjustment.....259
 §42-305. Henderson County Water Quality Board.....260
 §42-306. Henderson County Flood Damage Prevention Board.....261
 §42-307. Henderson County Technical Review Committee.....262
 §42-308. Henderson County Zoning Administrator264
 §42-309. Henderson County Communication Facilities Administrator.....265
 §42-310. Henderson County Floodplain Administrator.....265
 §42-311. Henderson County Manufactured Home Park Administrator268
 §42-312. Henderson County Soil Erosion and Sedimentation Control Administrator....269
 §42-313. Henderson County Water Quality Administrator270

§42-314. Reserved.....272
 §42-315. Reserved.....272
 §42-316. Reserved.....272
 §42-317. Reserved.....272
 §42-318. Reserved.....272
 §42-319. Henderson County Planning Director272
 §42-320. Henderson County Subdivision Administrator.....272
 §42-321. Conflicts of Interest.....273
 §42-322. Determinations and Notice of Determinations274
 §42-323. Reserved.....274
 §42-324. Reserved.....274
 §42-325. Reserved.....274

ARTICLE XI. REVIEW PROCESSES AND PROCEDURES

Subpart A. Site Plan Review and Approval

§42-326. General.....277
 §42-327. Communication Facility Site Plan Review277
 §42-328. Manufactured Home Park (MHP) Site Plan Review277
 §42-329. Minor Site Plan Review278
 §42-330. Major Site Plan Review278
 §42-331. Reserved.....279
 §42-332. Reserved.....279
 §42-333. Reserved.....279

Subpart B. Soil Erosion and Sedimentation Control Plan Review and Approval

§42-334. Soil Erosion and Sedimentation Control Plan Review and Approval280

Subpart C. Subdivision Review and Approval

§42-335. General.....280
 §42-336. Review for Minor, Special, and Nonstandard Subdivisions280
 §42-337. Review for Major Residential Subdivisions and Conservation Subdivisions of Eleven (11) to Thirty-Four (34) Lots and any Commercial, Office Institutional, Industrial or Mixed-Use Subdivisions of Thirty-Four (34) or Fewer Lots280
 §42-338. Review for Major Subdivisions and Conservation Subdivisions of Thirty-Five (35) to Two Hundred Ninety-Nine (299) Lots.....282
 §42-339. Review for Major Subdivisions and Conservation Subdivisions of Three Hundred (300) or More Lots.....284
 §42-340. Master Plans.....287
 §42-341. Development Plans288
 §42-342. Final Plat Review288

Subpart D. Amendment Processes

§42-343. General.....289
 §42-344. Comprehensive Plan Amendments289
 §42-345. Ordinance Amendments.....291

Subpart E. Permit Approval Processes

§42-346. General.....295
 §42-347. Category One (1) or Two (2) Communication Facility Permits295

§42-348.	Category Three (3) Communication Facility Permits.....	297
§42-349.	Floodplain Development Permits	301
§42-350.	Manufactured Home Park (MHP) Construction Permits.....	306
§42-351.	Manufactured Home Park (MHP) Completion of Improvements (COI) Permits...	306
§42-352.	Sign Permits.....	308
§42-353.	Soil Erosion and Sedimentation Control Permits	309
§42-354.	Special Fill Permits	309
§42-355.	Special Use Permits	311
§42-356.	Stormwater Management Permits.....	314
§42-357.	Temporary Use Permits	317
§42-358.	Water Supply Watershed Use Permits.....	318
§42-359.	Watershed Protection Compliance Permits	319
§42-360.	Watershed High-Density Development Permit	320
§42-361.	Zoning Permits.....	321
Subpart F. Vested Rights		
§42-362.	General.....	321
§42-363.	Vested Rights.....	322
§42-364.	Common Law Vested Rights.....	324
Subpart G. Variances		
§42-365.	General.....	324
§42-366.	Variances.....	325
§42-367.	Accommodative Temporary Variances	327
§42-368.	Variances (Flood Damage Prevention).....	327
§42-369.	Variances (Watershed Regulations).....	330
Subpart H. Legislative and Quasi-Judicial Process Standards		
§42-370.	Legislative Process Standards.....	333
§42-371.	Quasi-Judicial Process Standards	335
Subpart I. Neighborhood Compatibility Meeting Process and Standards		
§42-372.	Neighborhood Compatibility Meeting.....	335
Subpart J. Permit Choice for all Development Approvals		
§42-373.	Permit Choice.....	336
§42-374.	Reserved.....	335
§42-375.	Reserved.....	335
 ARTICLE XII. ENFORCEMENT, VIOLATIONS, AND APPEALS		
§42-376.	Duties Regarding Enforcement.....	341
§42-377.	Violations.....	341
§42-378.	Violations of Article VIII (Natural Resources) Subpart A (Flood Damage Prevention).....	342
§42-379.	Appeals	343
§42-380.	Interrelation of County Permits	344
§42-381.	Computation of Time.....	346
§42-382.	Reserved.....	346

ARTICLE XIII. LEGAL STATUS

§42-383. Conflict with other Laws347
§42-384. Severability of Parts of Code347
§42-385. Repeal of Existing Zoning347
§42-386. References to Statutes, Regulations and Documents347
§42-387. Reserved.....347
§42-388. Reserved.....347
§42-389. Reserved.....347
§42-390. Reserved.....347

ARTICLE XIV. DEFINITIONS

§42-391. Definitions.....349

CHAPTER 42, LAND DEVELOPMENT CODE

[Adopted by the Henderson County Board of Commissioners September 19, 2007;
As amended through August 5, 2024]

ARTICLE I

GENERAL PROVISIONS

§42-1. Title

This Chapter shall be known and may be cited as the “Land Development Code of Henderson County, North Carolina.”

§42-2. Statutory Authority

This Chapter is adopted pursuant to the authority vested in Henderson County, North Carolina by the North Carolina General Statutes, particularly Chapter 160D.

§42-3. Purpose

These regulations have been adopted in accordance with the “Henderson County Comprehensive Plan,” as adopted and as may be amended, in order to promote the health, safety and general welfare of the community. These regulations are designed to: (1) provide adequate light and air; (2) prevent the overcrowding of land; (3) avoid undue concentration of the population; (4) lessen congestion on *roads*; (5) secure safety from fire, panic and dangers; and (6) facilitate the efficient and adequate provision of transportation, water, sewerage, *schools, parks* and other public requirements. The regulations shall be made with reasonable consideration, among other things, as to the character of the district and its peculiar suitability for particular *uses*, and with a view to conserving the value of *buildings* and encouraging the most appropriate *use* of land throughout the County. In addition, these regulations are made with reasonable consideration to expansion and development of incorporated areas within the County, so as to provide for their orderly growth and development. The *neighborhood* impact from certain *uses* will be mitigated through the *use* of general and development standards which provide the flexibility to impose a higher level of site-specific standards, dependent upon the degree of *neighborhood* impact.

§42-4. Jurisdiction

Unless otherwise noted, the provisions of this Chapter shall apply to the unincorporated areas of Henderson County lying outside the extraterritorial jurisdiction of any municipality and the incorporated areas and extraterritorial jurisdiction of any city or town specifically requesting its enforcement by Henderson County upon the agreement of the Henderson County Board of Commissioners, both in accordance with the *use districts* shown on the *Zoning Map* titled the "Official Zoning Map of Henderson County, North Carolina" and subsequent amendments thereto. (In making such a request, the city or town must comply with the requirements of *NCGS* §160D-105). In no instance shall this Chapter apply to any area which is not duly established and identified as a zoning area as shown on the “Official Zoning Map of Henderson County, North Carolina.” Said map and all explanatory matter thereon accompany and are hereby made a part of this Chapter. This Chapter and Map shall be on file in the Office of the Commissioners.

§42-5. Rules of Construction

- A. Meaning of Terms. Unless specifically defined in this Chapter the words and phrases used in this Chapter shall have their customary meanings or shall be as defined in a standard dictionary. The specific definitions listed in Article XIV shall be applicable in all districts, unless specifically limited to particular districts or sections.
- B. Tense. Words used in the present tense include the future tense.
- C. Number. Words used in the singular number include the plural number and the plural number includes the singular number unless the context of the particular usage clearly indicates otherwise.
- D. Shall, Must, Will, May and Should. The words “shall,” “must” and “will” are mandatory in nature, implying an obligation or duty to comply with the particular provision. The word “may” is permissive in nature. The word “should” indicates that compliance is encouraged, but is not mandatory.
- E. Used and Occupied. The words "used" or "occupied" include the words "intended, designed or arranged to be used or occupied."
- F. Fractional Requirements. When any requirement of this Chapter results in a fraction of a unit, the fraction shall be disregarded.
- G. Text Controls in Event of Conflict. In the event of a conflict or inconsistency between the text of this Chapter and any heading, caption, figure, illustration, table, or map, the text shall control.

§42-6. Official Zoning Map

The “Official Zoning Map of Henderson County,” hereinafter the “Official Zoning Map” shall be maintained in digital format in the office of the *Planning Director* of Henderson County. This map shall be available for inspection by interested *persons* during normal business hours of the *Planning Director*. It shall be the duty of the *Planning Director* to maintain said map and post any changes thereto as they may be made. The *Planning Director* and *Zoning Administrator* may distribute unofficial copies of the “Official Zoning Map,” hereinafter “*zoning map*,” to the general public for reference purposes. Official records, which shall also include any Federal or North Carolina maps referenced in the Official Zoning Map, shall be maintained in the office of the Board of Commissioners regarding any actions of the Commissioners to amend district boundaries and these maps and records shall constitute the only official description of the location of district boundaries.

§42-7. Interpretation of District Boundaries

The following rules of interpretation shall be applicable to the *zoning map*:

- A. District Designation. A district name on the *zoning map* indicates the regulations pertaining to the district designated by that name, or abbreviation of same, and extending throughout the whole area bounded by the district boundary lines within which such name or abbreviation is shown, except as otherwise provided.
- B. District Boundary Determination. Where uncertainty exists as to the boundaries of any district, the following general rules of interpretation shall apply. It is the duty of the *Zoning Administrator* to interpret the location of district boundaries. Any *appeal* from an

interpretation or finding of the *Zoning Administrator* may be taken to the Zoning Board of Adjustment as specified in Article XII. General rules of interpretation include:

- (1) District boundaries indicated as approximately following:
 - a. The centerlines of *roads*, highways or *alleys* shall be construed to follow those centerlines;
 - b. Platted *lot* lines shall be construed as following those *lot* lines;
 - c. The centerlines of streams, rivers or other bodies of water shall be construed to follow those centerlines; and
 - d. Railroad tracks shall be construed to be centerline of the main track(s).
- (2) District boundaries indicated as approximately parallel to, perpendicular to or extensions of features indicated in §42-7 (Interpretation of District Boundaries) subsection B, items (1)a and (1)b above shall be so construed and at such distance therefrom as indicated on the *zoning map*. Distances not specifically indicated on the Official Zoning Map shall be determined by the scale of the map.

Where the *zoning map* shows a district boundary dividing a lot, the *lot* shall conform to the requirements established by this Article for the most restrictive district in which that part is located.

§42-8. Compliance

No *building*, premises or *structure* shall be constructed, erected, placed, moved, modified, converted, occupied or maintained, and no land *use* shall be maintained, modified or commenced, except as authorized by this Chapter. All development within the County shall comply with the development standards identified by this Chapter. The most restrictive local, state or federal laws pertaining to the establishment and operation of a *use* shall apply.

§42-9. Farm Exemption

Articles II, V, and VI shall in no way regulate, restrict, prohibit or otherwise deter any *use* of property for *agriculture*, *agritourism farm* or *bona fide farm*, and its related *uses* except that any *use* of such property for non-farm purposes shall be subject to this Chapter.

§42-10. Principal Use

One (1) *principal use/structure* may be erected on any one (1) *lot*, except as otherwise provided in this Chapter. *Accessory uses/structures* may also be erected and are limited in number as provided by this Chapter.

§42-11. Location of a Nonresidential Use

Unless otherwise provided or implied by the context or description/definition of a *use*, nonresidential *uses* shall be deemed to be located (1) where the customer goes to receive the services and/or product offered by the *use*; and/or (2) where the product/merchandise/supplies/equipment/furniture or other personal property associated with the *use* is kept, stored or otherwise housed.

§42-12. Relation to the Comprehensive Plan

The administration, enforcement and amendment of this Chapter shall be accomplished with consideration of recommendations presented in the documents comprising the “Henderson County Comprehensive Plan” hereinafter “*Comprehensive Plan.*”

§42-13. HOA and Other Restrictive Covenants

In the event a parcel is subject to restrictive covenants, homeowners or property owner’s association rules, in a situation where those covenants or rules are more restrictive in terms of permitted land use than this Ordinance, the provisions of such covenants or rules would be unaffected by this Ordinance.

§42-14. Reserved

§42-15. Reserved

§42-16. Reserved

§42-17. Reserved

§42-18. Reserved

§42-19. Reserved

§42-20. Reserved

§42-21. Reserved

August 5, 2024

August 5, 2024

ARTICLE II
ZONING DISTRICT REGULATIONS

§42-22. Application of Regulations

The regulations of this Article shall apply uniformly to each class or kind of *structure* or land located within any of the enumerated district classifications. Within the districts as established by this Chapter, the requirements as set forth in this Article shall be complied with in addition to any other general or specific requirements of this Chapter. Within the districts indicated on the Official Zoning Map, (1) no *structure* or land shall be used and no *structure* shall be erected or altered which is intended or designed to be used in whole or in part for any *use* other than those listed as permitted for that district in this Article, and (2) no *structure* shall be erected which does not adhere to the scale and dimensional requirements as permitted for that district in this Article. These requirements in no way relieve a *use* of having to meet all local, state and federal laws pertaining to the establishment and operation of that *use*.

Subpart A. General Use Zoning Districts

§42-23. General Use Zoning Districts

General Use Zoning Districts are created to provide comprehensive land *use* regulations throughout the jurisdiction of this Chapter. There are thirteen (13) general use zoning districts (listed below) that provide for a variety of *uses* that are appropriate to the character of the individual districts throughout the jurisdiction of this Chapter. Within the general *use districts* indicated on the Official Zoning Map, no *structure* or land shall be used and no *structure* shall be erected or altered which is intended or designed to be used in whole or in part for any *use* other than those listed as permitted for that district in this Article.

- (1) Residential District One (R1)
- (2) Residential District Two (R2)
- (3) Residential District Two Rural (R2R)
- (4) Residential District Three (R3)
- (5) Residential District Four (R4)
- (6) Office & Institutional District (OI)
- (7) Local Commercial District (LC)
- (8) Community Commercial District (CC)
- (9) Regional Commercial District (RC)
- (10) Industrial District (I)
- (11) Estate Residential District (R-40)
- (12) Surface Water District (SW)
- (13) Waterfront Residential District (WR)

§42-24. General Use District Requirements

The General Use Districts established above shall comply with the general and specific requirements of this Chapter, and in particular shall comply with the following standards and requirements:

- A. **Principal Use.** See §42-10 (Principal Use).
- B. **Density and Dimensional Requirements.** See §42-27 through §42-39 (Density and Dimensional Requirements).
- C. **Reduction of Front Yard Setbacks.** See §42-299 (Exemptions and Modifications from Regulations) A (Reduction of Front Yard Setbacks).
- D. **Uses.** See §42-61 (Table of Permitted and Special Uses).
- E. **Supplemental Use Requirements.** See §42-62 (Supplemental Requirements to the Table of Permitted and Special Uses).
- F. **Accessory Uses and Structures.** See §42-62 (Supplemental Requirements to the Table of Permitted and Special Uses), subsection 2 (*Accessory Uses*) and subsection 3 (*Accessory Structures*).
- G. **Subdivision Approval.** See Article III (Subdivision Regulations).
- H. **Traffic Impact Study and Emergency Services Impact Report.** See Article IV (Adequate Public Facilities Regulations).
- I. **Landscaping and Buffering.** See Article V (Landscape Design Standards).
- J. **Parking and Loading.** See Article VI (Off-Street Parking and Loading Standards).
- K. **Signage.** See Article VII (Sign Regulations).
- L. **Permitting Procedures.** See Article XI (Review Processes and Procedures).

§42-25. General Use Density and Dimensional Requirements

Each *use* shall, at a minimum, conform to the density and dimensional requirements of the general *use district* in which it is located. In some cases a specific *use* may be required to meet the Supplemental Requirements as set forth in §42-61 (Supplemental Requirements to the Table of Permitted and Special Uses). Sections 42-27 through 42-39 list the density and dimensional requirements for each respective zoning district.

§42-26. Guide to Table of Permitted and Special Uses

- A. **Table of Permitted and Special Uses.** The Table of Permitted and Special Uses (see §42-61) contains a listing of *uses* which may be permitted in one or more of the various Zoning Districts established by this Chapter. *Uses* are listed in alphabetical order in 13 functional categories. The categories in the order of listing are:
 - (1) Residential Uses
 - (2) *Accessory Uses*
 - (3) *Accessory Structures*
 - (4) Recreational Uses
 - (5) Educational and Institutional Uses
 - (6) Business, Professional and Personal Services
 - (7) Retail Trade
 - (8) *Wholesale Trade*
 - (9) Transportation, Warehousing, and Utilities
 - (10) Manufacturing and Industrial Facilities
 - (11) *Temporary Uses*
 - (12) *Temporary Structures*
 - (13) Agricultural Uses

B. **Entries.** The District(s) in which a particular listed *use* may be permitted is indicated by a "P" or "S" in the column(s) opposite the listed *use*.

C. **Meaning of Entries.** The meaning of the entries in the Table are as follows:

1. "P" indicates the *use* is permitted by right and a *zoning permit* may be obtained.
2. "S" indicates the *use* requires approval of a *Special Use Permit* in accordance with the procedures of §42-355 (*Special Use Permits*).
3. The column on the far right labeled "SR" (Supplemental Requirements) means that there are special additional performance requirements that the *use* must comply with in its development. These requirements are contained in §42-61 (Supplemental Requirements to the Table of Permitted and Special Uses). For any *use* subject to a Supplemental Requirement, the Supplemental Requirement shall represent the minimum conditions for issuance of a *Zoning Permit* or a *Special Use Permit*.

§42-27. Residential District One (R1)

- A. **Purpose.** The purpose of Residential District One (R1) is to foster orderly growth where the *principal use* of land is residential. The intent of this district is to allow for medium to high-density *residential development* consistent with the recommendations of the *Comprehensive Plan*. This general *use district* is typically meant to be utilized in areas designated as Utility Service Area (USA) in the *Comprehensive Plan*.
- B. **Density and Dimensional Requirements.** Each *use* allowed in this district shall, at a minimum, conform to the following requirements (in the case of a nonresidential *use* the *residential density* requirements shall not apply). In some cases a specific *use* may be required to meet the Supplemental Requirements as set forth in §42-62 (Supplemental Requirements).

Table 2.1. R1 Density and Dimensional Requirements			
(1) Residential Density (units/acre)		(2) Standard	4
		(3) Intermediate	6
		(4) Maximum	12
(5) Yard Setbacks (feet)	Front or Right-of-Way (ROW)	<i>Local</i>	15
		<i>Collector</i>	20
		<i>Thoroughfare</i>	35
		<i>Boulevard</i>	50
		<i>Expressway</i>	60
		<i>Freeway</i>	90
		<i>Side</i>	10
		<i>Rear</i>	10
		(6) Maximum Height (feet)	40

(1) Residential density shall be calculated utilizing the entire acreage of a tract of land. Under this scenario, residential density shall be determined based on the following formula:

<p><i>Lot size</i> x allowable units per acre = permitted <i>dwelling units</i></p> <p>The following example assumes a 5 acre tract with an allowable density of 4 units/acre:</p> <p>5 acres x 4 units per acre = <u>20 permitted dwelling units</u></p>
--

The maximum residential density for portions of the tract with a slope of 60 percent or greater (where such slope areas of the tract account for ten (10) percent or more of the tract) shall be one-half (½) the eligible density.

- (2) Standard residential density shall be applied:
 - a. On a lot existing at the time of the initial adoption of this Chapter, where there is not adequate area to comply with the applicable standard residential density requirement;
 - b. To single-family residential uses; and
 - c. To two family attached dwellings.

- (3) Intermediate residential density shall be available when individual dwellings would be served by both: (1) a *municipal water supply system* and (2) a *sewage disposal system* (of the following types: municipal, approved public, or approved community) which meet the requirements of applicable local or state authorities having jurisdiction thereof.
- (4) Maximum residential density shall be available to applicants proposing multifamily developments with three (3) or more units (specifically excluding single-family units) where:
 - a. A total of at least five (5) units would be permitted by standard residential density, and
 - b. Such dwellings shall be served by both: (1) a *municipal water supply system* and (2) a *sewage disposal system* (of the following types: municipal, approved public, or approved community) which meet the requirements of the local or State authorities.
- (5) *Accessory structures* may be located in the *side, rear* or *front yards* and may be *setback* a minimum of five (5) feet from the *side* or *rear* property lines and ten (10) feet from the front or Right of Way (ROW).
- (6) Maximum height may be exceeded in multifamily developments as detailed in §42-61 (Supplemental Requirements) SR 1.5 (Dwelling, Multifamily), provided such developments do not exceed 50 feet in height.
- (7) *Conditional Rezoning* Requirement. Developments proposing to have ten (10) or more multifamily dwellings shall apply as a *conditional rezoning*. Subdivisions proposing to cluster the dwelling units on fifty percent (50%) or less of the total project area used to calculate the allowed density, must apply as a *conditional rezoning*.
- (8) *Special Use Permit* Requirements. Any use that requires a special use permit has a maximum impervious surface not to exceed 80% and a maximum floor area limit not to exceed 80,000 square feet (excluding machining and assembly operations, manufacturing and production operations and landscaping materials sales and storage).

§42-28. Residential District Two (R2)

- A. **Purpose.** The purpose of Residential District Two (R2) is to foster orderly growth where the *principal use* of land is residential. The intent of this district is to allow for low to medium density *residential development* consistent with the recommendations of the *Comprehensive Plan*. It is also the intent of this district to allow for flexibility in the continuation of existing nonresidential *uses*. This general *use district* is typically meant to be utilized in areas designated as Utility Service Area (USA) in the *Comprehensive Plan*.
- B. **Density and Dimensional Requirements.** Each *use* allowed in this district shall, at a minimum, conform to the following density and dimensional requirements (in the case of a nonresidential use the *residential density* requirements shall not apply). In some cases a specific *use* may be required to meet the Supplemental Requirements as set forth in §42-62 (Supplemental Requirements).

Table 2.2. R2 Density and Dimensional Requirements			
(1) <i>Residential Density</i> (units/acre)	(2) Standard	1	
	(3) Maximum	2	
(4) <i>Yard Setbacks</i> (feet)	<i>Front or ROW</i>	<i>Local</i>	15
		<i>Collector</i>	20
		<i>Thoroughfare</i>	35
		<i>Boulevard</i>	50
		<i>Expressway</i>	60
		<i>Freeway</i>	90
		<i>Side</i>	10
	<i>Rear</i>	10	
(5) Maximum Height (feet)		40	

- (1) *Residential density* shall be calculated utilizing the entire acreage of a *tract* of land. Under this scenario, *residential density* shall be determined based on the following formula:

$$\text{Lot size} \times \text{allowable units per acre} = \text{permitted dwelling units}$$

The following example assumes a 5 acre tract with an allowable density of 1 unit/acre:

$$5 \text{ acres} \times 1 \text{ unit per acre} = \mathbf{5 \text{ permitted dwelling units}}$$

The maximum *residential density* for portions of the *tract* with a *slope* of 60 percent or greater (where such *slope* areas of the *tract* account for ten (10) percent or more of the *tract*) shall be one-half (½) the eligible density.

- (2) Standard *residential density* shall be applied:
 - a. On a *lot* existing at the time of the initial adoption of this Chapter, where there is not adequate area to comply with the applicable standard *residential density* requirement;
 - b. To single-family residential *uses*; and
 - c. To two family attached dwellings.
- (3) Maximum residential density shall be available to applicants proposing multifamily developments with three (3) or more units (specifically excluding single-family units) where:
 - a. A total of at least five (5) units would be permitted by standard residential density, and
 - b. Such dwellings shall be served by both: (1) a *public water supply system* and (2) a *sewage disposal system* (of the following types: municipal, approved public, or approved community) which meet the requirements of the local or State authorities having jurisdiction thereof.
- (4) *Accessory structures* may be located in the *side, rear* or *front yards* and may be *setback* a minimum of five (5) feet from the *side* or *rear* property lines and ten (10) feet from the front or Right of Way (ROW).
- (5) Maximum height may be exceeded in multifamily developments as detailed in §42-61 (Supplemental Requirements) SR 1.5 (Dwelling, Multifamily), provided such developments do not exceed 50 feet in height.
- (6) *Conditional Rezoning* Requirement. Developments proposing to have ten (10) or more multifamily dwellings shall apply as a *conditional rezoning*. Subdivisions proposing to cluster the dwelling units on fifty percent (50%) or less of the total project area used to calculate the allowed density, must apply as a *conditional rezoning*.
- (7) *Special Use Permit* Requirements. Any use that requires a special use permit has a maximum impervious surface not to exceed 80% and a maximum floor area limit not to exceed 80,000 square feet (excluding machining and assembly operations, manufacturing and production operations and landscaping materials sales and storage).

§42-29. Residential District Two Rural (R2R)

- A. **Purpose.** The purpose of Residential District Two Rural (R2R) is to foster orderly growth where the *principal use* of land is residential. The intent of this district is to allow for low to medium density *residential development* and rural commercial and light industrial development consistent with the recommendations of the *Comprehensive Plan*. This general *use district* is typically meant to be utilized outside areas designated as Utility Service Area (USA) in the *Comprehensive Plan*.
- B. **Density and Dimensional Requirements.** Each *use* allowed in this district shall, at a minimum, conform to the following requirements (in the case of a nonresidential *use* the *residential density* requirements shall not apply). In some cases a specific *use* may be required to meet the Supplemental Requirements as set forth in §42-62 (Supplemental Requirements).

(1) Residential Density (units/acre)		(2) Standard	1
		(3) Maximum	2
(4) Yard Setbacks (feet)	Front or ROW	Local	15
		Collector	20
		Thoroughfare	35
		Boulevard	50
		Expressway	60
		Freeway	90
		Side	10
		Rear	10
(5) Maximum Height (feet)			40

- (1) *Residential density* shall be calculated utilizing the entire acreage of a *tract* of land. Under this scenario, *residential density* shall be determined based on the following formula:

$$\text{Lot size} \times \text{allowable units per acre} = \text{permitted dwelling units}$$

The following example assumes a 5 acre tract with an allowable density of 1 unit/acre:

$$5 \text{ acres} \times 1 \text{ unit per acre} = \underline{\underline{5 \text{ permitted dwelling units}}}$$

The maximum *residential density* for portions of the *tract* with a *slope* of 60 percent or greater (where such *slope* areas of the *tract* account for ten (10) percent or more of the *tract*) shall be one-half (½) the eligible density.

- (2) Standard *residential density* shall be applied:
- a. On a *lot* existing at the time of the initial adoption of this Chapter, where there is not adequate area to comply with the applicable standard *residential density* requirement;
 - b. To single-family residential *uses*; and
 - c. To two family attached dwellings.

- (3) Maximum residential density shall be available to applicants proposing multifamily developments with three (3) or more units (specifically excluding single-family units) where:
 - a. A total of at least five (5) units would be permitted by standard residential density, and
Such dwellings shall be served by both: (1) a *public water supply system* and (2) a *sewage disposal system* (of the following types: municipal, approved public, or approved community) which meet the requirements of the local or State authorities having jurisdiction thereof.
- (4) Accessory structures may be located in the side, rear or front yards and may be setback a minimum of five (5) feet from the side or rear property lines and ten (10) feet from the front or Right of Way (ROW).
- (5) Maximum height may be exceeded in multifamily developments as detailed in §42-61 (Supplemental Requirements) SR 1.5 (Dwelling, Multifamily), provided such developments do not exceed 50 feet in height.
- (6) *Conditional Rezoning* Requirement. Developments proposing to have ten (10) or more multifamily dwellings shall apply as a *conditional rezoning*. Subdivisions proposing to cluster the dwelling units on fifty percent (50%) or less of the total project area used to calculate the allowed density, must apply as a *conditional rezoning*.
- (7) *Special Use Permit* Requirements. Any use that requires a special use permit has a maximum impervious surface not to exceed 80% and a maximum floor area limit not to exceed 80,000 square feet (excluding machining and assembly operations, manufacturing and production operations and landscaping materials sales and storage).

§42-30. Residential District Three (R3)

- A. **Purpose.** The purpose of Residential District Three (R3) is to foster orderly growth where the *principal use* of land is low density residential. The intent of this district is to allow for *residential development* consistent with the recommendations of the *Comprehensive Plan*. This general *use district* is typically meant to be utilized outside areas designated as Utility Service Area (USA) in the *Comprehensive Plan*.
- B. **Density and Dimensional Requirements.** Each *use* allowed in this district shall, at a minimum, conform to the following requirements (in the case of a nonresidential *use* the *residential density* requirements shall not apply). In some cases a specific *use* may be required to meet the Supplemental Requirements as set forth in §42-62 (Supplemental Requirements).

Table 2.4. R3 Density and Dimensional Requirements			
(1) <i>Residential Density</i> (units/acre)		0.66 (1 unit/1.5 acres)	
(2) <i>Yard Setbacks</i> (feet)	Front or ROW	<i>Local</i>	15
		<i>Collector</i>	20
		<i>Thoroughfare</i>	35
		<i>Boulevard</i>	50
		<i>Expressway</i>	60
		<i>Freeway</i>	90
			<i>Side</i>
		<i>Rear</i>	15
Maximum Height (feet)		40	

- (1) *Residential density* shall be calculated utilizing the entire acreage of a *tract* of land. Under this scenario, *residential density* shall be determined based on the following formula:

$Lot\ size \times allowable\ units\ per\ acre = permitted\ dwelling\ units$

The following example assumes a 5 acre tract with an allowable density of 0.66 units/acre:

$5\ acres \times .66\ units\ per\ acre = \underline{\underline{3\ permitted\ dwelling\ units}}$

The maximum *residential density* for portions of the *tract* with a *slope* of 60 percent or greater (where such *slope* areas of the *tract* account for ten (10) percent or more of the *tract*) shall be one-half (½) the eligible density.

Residential density shall be applied:

- a. On a *lot* existing at the time of the initial adoption of this Chapter, where there is not adequate area to comply with the applicable standard *residential density* requirement;
- b. To single-family residential *uses*; and
- c. To two family attached dwellings.

- (2) Accessory structures may be located in the side, rear or front yards and may be setback a minimum of five (5) feet from the side or rear property lines and ten (10) feet from the front or Right of Way (ROW).
- (3) *Conditional Rezoning* Requirement. Developments proposing to have ten (10) or more multifamily dwellings shall apply as a *conditional rezoning*. Subdivisions proposing to cluster the dwelling units on fifty percent (50%) or less of the total project area used to calculate the allowed density, must apply as a *conditional rezoning*.
- (4) *Special Use Permit* Requirements. Any use that requires a special use permit has a maximum impervious surface not to exceed 80% and a maximum floor area limit not to exceed 80,000 square feet (excluding machining and assembly operations, manufacturing and production operations and landscaping materials sales and storage).

§42-31. Residential District Four (R4)

- A. **Purpose.** The purpose of Residential District Four (R4) is to foster orderly growth where the *principal use* of land is low density residential. The intent of this district is to allow for limited *residential development* consistent with the recommendations of the *Comprehensive Plan*. This general *use district* is typically meant to be utilized outside areas designated as Utility Service Area (USA) in the *Comprehensive Plan*. It is recognized that this district is to be used in areas less suitable for dense or moderately dense development and is only zoned at the request of the property owner or appointed agent.
- B. **Density and Dimensional Requirements.** Each *use* allowed in this district shall, at a minimum, conform to the following dimensional requirements (in the case of a nonresidential *use* the *residential density* dimensional requirements shall not apply). In some cases a specific *use* may be required to meet the Supplemental Requirements as set forth in §42-62 (Supplemental Requirements).

Table 2.5. R4 Density and Dimensional Requirements			
(1) <i>Residential Density</i> (units/acre)			0.20 (1 unit/5.0 acres)
(2) <i>Yard Setbacks</i> (feet)	Front or ROW	<i>Local</i>	15
		<i>Collector</i>	20
		<i>Thoroughfare</i>	35
		<i>Boulevard</i>	50
		<i>Expressway</i>	60
		<i>Freeway</i>	90
	<i>Side</i>		15
	<i>Rear</i>		15
Maximum Height (feet)			40

(1) *Residential density* shall be calculated utilizing the entire acreage of a *tract* of land. Under this scenario, *residential density* shall be determined based on the following formula:

Lot size x allowable units per acre = permitted *dwelling units*

The following example assumes a 5 acre tract with an allowable density of 0.20 units/acre:

5 acres x .20 units per acre = 1 **permitted dwelling unit**

The maximum *residential density* for portions of the *tract* with a *slope* of 60 percent or greater (where such *slope* areas of the *tract* account for ten (10) percent or more of the *tract*) shall be one-half (½) the eligible density.

Residential density shall be applied:

- a. On a *lot* existing at the time of the initial adoption of this Chapter, where there is not adequate area to comply with the applicable standard *residential density* requirement;
 - b. To single-family residential *uses*; and
 - c. To two family attached dwelling.
- (2) Accessory structures maybe located in the side, rear or front yards and may be setback a minimum of five (5) feet from the side or rear property lines and ten (10) feet from the front or Right of Way (ROW).
- (3) *Conditional Rezoning* Requirement. Developments proposing to have ten (10) or more multifamily dwellings shall apply as a *conditional rezoning*. Subdivisions proposing to cluster the dwelling units on fifty percent (50%) or less of the total project area used to calculate the allowed density, must apply as a *conditional rezoning*.
- (4) *Special Use Permit* Requirements. Any use that requires a special use permit has a maximum impervious surface not to exceed 80% and a maximum floor area limit not to exceed 80,000 square feet (excluding machining and assembly operations, manufacturing and production operations and landscaping materials sales and storage).

§42-32. Office & Institutional District (OI)

- A. **Purpose.** The purpose of the Office & Institutional District (OI) is to foster orderly growth where the *principal use* of land is a mixture of *office, institutional,* and residential. The intent of this district is to allow for office, institutional and *residential development* that: (1) is directed largely to Neighborhood Anchors as defined in the *Comprehensive Plan*; (2) is compatible with adjacent development and the surrounding community; and (3) will minimize congestion and sprawl.
- B. **Density and Dimensional Requirements.** Each *use* allowed in this district shall at a minimum conform to the following requirements (in the case of a nonresidential *use* the *residential density* requirements shall not apply). In some cases a specific *use* may be required to meet the Supplemental Requirements as set forth in §42-62 (Supplemental Requirements).

Table 2.6. OI Density and Dimensional Requirements			
(1) <i>Residential Density</i> (units/acre)	(2) Standard	4	
	(3) Maximum	16	
<i>Maximum Impervious Surface (%)</i>		80	
(4) <i>Yard Setbacks</i> (feet)	<i>Front or ROW</i>	<i>Local</i>	20
		<i>Collector</i>	25
		<i>Thoroughfare</i>	35
		<i>Boulevard</i>	45
		<i>Expressway</i>	55
		<i>Freeway</i>	60
	<i>Side</i>		10
	<i>Rear</i>		10
Maximum Height (feet)		50	

- (1) *Residential density* shall be calculated utilizing the entire acreage of a *tract* of land. Under this scenario, *residential density* shall be determined based on the following formula:

$$\text{Lot size} \times \text{allowable units per acre} = \text{permitted dwelling units}$$

The following example assumes a 5 acre tract with an allowable density of 4 units/acre:

$$5 \text{ acres} \times 4 \text{ units per acre} = \mathbf{20 \text{ permitted dwelling units}}$$

The maximum *residential density* for portions of the *tract* with a *slope* of 60 percent or greater (where such *slope* areas of the *tract* account for ten (10) percent or more of the *tract*) shall be one-half (½) the eligible density.

- (2) Standard *residential density* shall be applied:
 - a. On a *lot* existing at the time of the initial adoption of this Chapter, where there is not adequate area to comply with the applicable standard *residential density* requirement.
 - b. To single-family residential *uses*.
- (3) Maximum residential density shall be available to applicants proposing multifamily developments with three (3) or more units (specifically excluding single-family units) where:
 - a. A total of at least five (5) units would be permitted by standard residential density, and
 - b. Such dwellings shall be served by both: (1) a *public water supply system* and (2) a *sewage disposal system* (of the following types: municipal, approved public, or approved community) which meet the requirements of the local or State authorities having jurisdiction thereof.
- (4) Accessory structures may be located in the side, rear or front yards and may be setback a minimum of five (5) feet from the side or rear property lines and ten (10) feet from the front or Right of Way (ROW).
- (5) *Conditional Rezoning* Requirement. Developments proposing to have ten (10) or more multifamily dwellings shall apply as a *conditional rezoning*. Subdivisions proposing to cluster the dwelling units on fifty percent (50%) or less of the total project area used to calculate the allowed density, must apply as a *conditional rezoning*.

§42-33. Local Commercial District (LC)

- A. **Purpose.** The purpose of the Local Commercial District (LC) is to foster orderly growth where the *principal use* of land is commercial and residential. The intent of this district is to allow for *commercial development uses* and *residential development* that: (1) includes a variety of retail sales and services, public and private administrations, offices and all other *uses* done primarily for sale or profit on a local or *neighborhood* scale; (2) is compatible with adjacent development and the surrounding community; and (3) will minimize congestion and sprawl.
- B. **Density and Dimensional Requirements.** Each *use* allowed in this district shall at a minimum conform to the following requirements (in the case of a nonresidential *use* the *residential density* requirements shall not apply). In some cases a specific *use* may be required to meet the Supplemental Requirements as set forth in §42-62 (Supplemental Requirements).

Table 2.7. LC Density and Dimensional Requirements			
(1) Residential Density (units/acre)	(2) Standard	4	
	(3) Maximum	16	
Maximum Impervious Surface (%)		80	
(4) Maximum Floor Area (sq ft)		30,000 or 10,000	
(5) Yard Setbacks (feet)	Front or ROW	Local	10
		Collector	10
		Thoroughfare	20
		Boulevard	30
		Expressway	40
		Freeway	45
	Side	10	
	Rear	10	
Maximum Height (feet)		40	

- (1) *Residential density* shall be calculated utilizing the entire acreage of a *tract* of land. Under this scenario, *residential density* shall be determined based on the following formula:

Lot size x allowable units per acre = permitted *dwelling units*

The following example assumes a 5 acre tract with an allowable density of 4 units/acre:

5 acres x 4 units per acre = **20 permitted dwelling units**

The maximum *residential density* for portions of the *tract* with a *slope* of 60 percent or greater (where such *slope* areas of the *tract* account for ten (10) percent or more of the *tract*) shall be one-half (½) the eligible density.

- (2) Standard *residential density* shall be applied:
 - a. On a *lot* existing at the time of the initial adoption of this Chapter, where there is not adequate area to comply with the applicable standard *residential density* requirement.
 - b. To single-family residential *uses*.
 - c. To two family attached dwellings.
- (3) Maximum residential density shall be available to applicants proposing multifamily developments with three (3) or more units (specifically excluding single-family units) where:
 - a. A total of at least five (5) units would be permitted by standard residential density, and
 - b. Such dwellings shall be served by both: (1) a *public water supply system* and (2) a *sewage disposal system* (of the following types: municipal, approved public, or approved community) which meet the requirements of the local or State authorities having jurisdiction thereof.
- (4) Within a multi-tenant *structure/site*, the principal tenant shall have a maximum *gross floor area* of 30,000 square feet. The maximum *gross floor area* for any other tenant shall be 10,000 square feet. A maximum 80,000 total square feet for any multi-tenant *structure* shall apply. The maximum *gross floor area* for a single unit on a single *lot* shall be 10,000 square feet.
- (5) Accessory structures may be located in the side, rear or front yards and may be setback a minimum of five (5) feet from the side or rear property lines and ten (10) feet from the front or Right of Way (ROW).
- (6) *Conditional Rezoning* Requirement. Developments proposing to have ten (10) or more multifamily dwellings shall apply as a *conditional rezoning*. Subdivisions proposing to cluster the dwelling units on fifty percent (50%) or less of the total project area used to calculate the allowed density, must apply as a *conditional rezoning*.

§42-34. Community Commercial District (CC)

- A. **Purpose.** The purpose of the Community Commercial District (CC) is to foster orderly growth where the *principal use* of land is commercial. The intent of this district is to allow for *commercial development* that includes a variety of retail sales and services, public and private administrations, offices and all other *uses* done primarily for sale or profit on the local and community level.
- B. **Density and Dimensional Requirements.** Each *use* allowed in this district shall at a minimum conform to the following requirements (in the case of a nonresidential *use* the *residential density* requirements shall not apply). In some cases a specific *use* may be required to meet the Supplemental Requirements as set forth in §42-62 (Supplemental Requirements).

Table 2.8. CC Density and Dimensional Requirements			
(1) <i>Residential Density</i> (units/acre)		16	
<i>Maximum Impervious Surface</i> (%)		80	
(2) <i>Maximum Floor Area</i> (sq ft)		80,000 or 30,000	
<i>Yard Setbacks</i> (feet)	<i>Front or ROW</i>	<i>Local</i>	10
		<i>Collector</i>	10
		<i>Thoroughfare</i>	20
		<i>Boulevard</i>	30
		<i>Expressway</i>	40
		<i>Freeway</i>	45
	<i>Side</i>		10
	<i>Rear</i>		10
Maximum Height (feet)		50	

- (1) *Residential density* shall be calculated utilizing the entire acreage of a *tract* of land. Under this scenario, *residential density* shall be determined based on the following formula:

Lot size x allowable units per acre = permitted *dwelling units*

The following example assumes a 5 acre tract with an allowable density of 16 units/acre:

5 acres x 16 units per acre = **80 permitted dwelling units**

The maximum *residential density* for portions of the *tract* with a *slope* of 60 percent or greater (where such *slope* areas of the *tract* account for ten (10) percent or more of the *tract*) shall be one-half (½) the eligible density.

- (2) Within a multi-tenant *structure/site*, , the principal tenant shall have a maximum *gross floor area* of 80,000 square feet. The maximum *gross floor area* for any other tenant shall be 30,000 square feet. The maximum *gross floor area* for a single unit on a single *lot* shall be 30,000 square feet.

- (3) Accessory structures may be located in the side, rear or front yards and may be setback a minimum of five (5) feet from the side or rear property lines and ten (10) feet from the front or Right of Way (ROW).
- (4) *Conditional Rezoning* Requirement. Developments proposing to have ten (10) or more multifamily dwellings shall apply as a *conditional rezoning*. Subdivisions proposing to cluster the dwelling units on fifty percent (50%) or less of the total project area used to calculate the allowed density, must apply as a *conditional rezoning*.

§42-35. Regional Commercial District (RC)

- A. **Purpose.** The purpose of the Regional Commercial District (RC) is to foster orderly growth where the *principal use* of land is commercial. The intent of this district is to allow for *commercial development* that includes a variety of retail sales and services, public and private administrations, offices and all other *uses* done primarily for sale or profit on the local, community, and regional level. This general *use district* is meant to be in the Utility Service Area (USA) as defined in the *Comprehensive Plan*.
- B. **Density and Dimensional Requirements.** Each *use* allowed in this district shall at a minimum conform to the following requirements (in the case of a nonresidential *use* the *residential density* requirements shall not apply). In some cases a specific *use* may be required to meet the Supplemental Requirements as set forth in §42-62 (Supplemental Requirements).

Table 2.9. RC Density and Dimensional Requirements			
(1) <i>Residential Density</i> (units/acre)		16	
<i>Maximum Impervious Surface</i> (%)		80	
<i>Maximum Floor Area</i> (sq ft)		Unlimited	
<i>Yard Setbacks</i> (feet)	<i>Front or ROW</i>	<i>Local</i>	10
		<i>Collector</i>	10
		<i>Thoroughfare</i>	20
		<i>Boulevard</i>	30
		<i>Expressway</i>	40
		<i>Freeway</i>	45
	<i>Side</i>		10
	<i>Rear</i>		10
<i>Maximum Height</i> (feet)		50	

- (1) *Residential density* shall be calculated utilizing the entire acreage of a *tract* of land. Under this scenario, *residential density* shall be determined based on the following formula:

Lot size x allowable units per acre = permitted *dwelling units*

The following example assumes a 5 acre tract with an allowable density of 16 units/acre:

5 acres x 16 units per acre = **80 permitted dwelling units**

The maximum *residential density* for portions of the *tract* with a *slope* of 60 percent or greater (where such *slope* areas of the *tract* account for ten (10) percent or more of the *tract*) shall be one-half (½) the eligible density.

- (2) Accessory structures may be located in the side, rear or front yards and may be setback a minimum of five (5) feet from the side or rear property lines and ten (10) feet from the front or Right of Way (ROW).

- (3) *Conditional Rezoning* Requirement. Developments proposing to have ten (10) or more multifamily dwellings shall apply as a *conditional rezoning*. Subdivisions proposing to cluster the dwelling units on fifty percent (50%) or less of the total project area used to calculate the allowed density, must apply as a *conditional rezoning*.

§42-36. Industrial District (I)

- A. **Purpose.** The purpose of the Industrial District (I) is to foster orderly growth where the *principal use* of land is a mixture of *industrial* and heavy commercial. The intent of this district is to allow for *industrial* and heavy *commercial development* that: (1) is compatible with adjacent development and the surrounding community; (2) will minimize conflict between land *uses*; and (3) is sensitive to its impact on surrounding land *uses* and the environment (natural and man-made). This general *use district* is meant to be in the Utility Service Area (USA) as defined in the *Comprehensive Plan*.
- B. **Density and Dimensional Requirements.** Each *use* allowed in this district shall at a minimum conform to the following requirements. In some cases a specific *use* may be required to meet the Supplemental Requirements as set forth in §42-62 (Supplemental Requirements).

Table 2.10. I Density and Dimensional Requirements			
<i>Maximum Impervious Surface (%)</i>		80	
<i>Maximum Floor Area (sq ft)</i>		Unlimited	
<i>Yard Setbacks (feet)</i>	<i>Front or ROW</i>	<i>Local</i>	20
		<i>Collector</i>	30
		<i>Thoroughfare</i>	40
		<i>Boulevard</i>	50
		<i>Expressway</i>	50
		<i>Freeway</i>	60
		<i>Side</i>	20
		<i>Rear</i>	20
<i>Maximum Height (feet)</i>		72	

- (1) Accessory structures may be located in the side, rear or front yards and may be setback a minimum of five (5) feet from the side or rear property lines and ten (10) feet from the front or Right of Way (ROW).

§42-37. Estate Residential District (R-40)

- A. **Purpose.** The Estate Residential District (R-40) is established to maintain the zoning in place prior to the adoption of this Chapter 42. This district is established as a district in which the principal use of the land is for low-density residential use. This district is intended to ensure that *residential development* not having access to public water supplies and dependent upon septic tanks for sewage disposal will occur at a sufficiently low density to provide a healthful environment. This district is also intended to be a quiet, low-density neighborhood consisting of single-family residences. The R-40 District shall not be extended from the locations designated on the Official Zoning Map, nor shall new R-40 District areas be designated except where initiated by the Board of Commissioners or *Planning Board*. The R-40 District may be altered or removed.
- B. **Dimensional Requirements.** Each *use* allowed in this district shall at a minimum conform to the following requirements. In some cases a specific *use* may be required to meet the Supplemental Requirements as set forth in §42-62 (Supplemental Requirements). The Conservation Subdivision option shall be available in the R-40 District. Minimum lot sizes shall not apply when using the Conservation Subdivision option and an average density of one (1) unit per 40,000 square feet shall be applied.

Table 2.11. R-40 Dimensional Requirements				
(1) Minimum <i>Lot Area</i> (sq ft)			40,000	
Minimum <i>Lot Area</i> Per Dwelling (Family Unit) (sq ft)			40,000	
(3) <i>Yard Setbacks</i> (feet)	<i>Front</i> or <i>ROW</i>	(2) Major <i>Roads</i>	75	
		All Others	60	
			<i>Side</i>	35
			<i>Rear</i>	35
Maximum Height (feet)			Unlimited	

- (1) The minimum *lot area* for portions of the *tract* with a *slope* of 60 percent or greater (where such *slope* areas of the *tract* account for ten (10) percent or more of the *tract*) shall be twice the minimum *lot area* of the district.
 - (2) Major *roads* shall include: Interstate 26, US Highway 64, US Highway 25, US Highway 176, NC Highway 280, NC Highway 191, Kanuga/Crab Creek Road (SR 1127), Clear Creek Road (SR 1503), Upward Road (SR 1722), and the Upward Road Connector (SR 1783).
 - (3) *Yard setbacks* shall be measured from the centerline of *right-of-way*. Where the *road* is a major *road* and is more than two (2) lanes (including parking lanes), the *yard setback* requirements shall be measured and begin at a point on the pavement 12 feet from the edge of the paved *road* abutting the property in subject.
- C. **Permitted Uses.** Within the R-40 District, the following uses are permitted:
- (1) *Dwelling, single-family, and manufactured homes (multi-section), excluding manufactured homes (singlewide) and mobile homes* (See SR 1.4 (*Dwelling, Manufactured/Mobile Home (multi-section/singlewide)*) and SR 1.6 (*Dwelling, Single Family Detached*)).

- (2) *Church*, provided that:
 - a. The *structures* are placed not less than 50 feet from any property line;
 - b. They are located with access to a street, as shall be determined by the *Zoning Administrator*; and
 - c. There is a planted buffer strip along the side and rear property lines, except where such lines run parallel and contiguous with streets, streambeds, lakes and railroad tracks. (See also SR 5.19 (*Religious Institution*))
- (3) *Cemetery* (On property contiguous to or adjacent to the principal *church* assembly building) (See also SR 5.3 (Cemetery/Mausoleum/Columbarium (excluding crematoriums))).
- (4) *Church* bulletin boards not exceeding 12 square feet in area.
- (5) *Signs* not more than four (4) square feet in area advertising the sale or rental of property on which they are located.
- (6) *Utility Substation* (See SR 9.14 (*Utility Substation*)).
- (7) Accessory structures maybe located in the side, rear or front yards and may be setback a minimum of five (5) feet from the side or rear property lines and ten (10) feet from the front or Right of Way (ROW).
 - a. In no case shall an accessory building be permitted in any *front, side* or *rear yard* if it exceeds 15 feet in height or if it occupies more than 30 percent of the required yard area; however, height restrictions do not apply on lots of one (1) or more acres. Maximum building height for private boathouses shall be 25 feet measured from the *full pond elevation* (lakes) or *mean sea level* elevation (rivers).
- (8) *School (Public/Private/Charter)* (See SR 5.20 (*School (Public/Private/Charter)*)).
- (9) Civic and cultural buildings, including auditoriums, theaters for the performing arts, museums, art galleries, symphony and concert halls and historical societies, provided that:
 - a. The structures are placed not less than 50 feet from any property line;
 - b. They are located with access to a street, as shall be determined by the *Zoning Administrator*;
 - c. There is a planted buffer strip along the side and rear property lines, except where such lines run parallel and contiguous with streets, streambeds, lakes and railroad tracks;
 - d. The facility is not operated for profit and satisfactory proof of the tax-exempt status of the organization is exhibited to the *Zoning Administrator*;
- (10) *Communications Facilities, Category 1* (See SR 9.3 (*Communications Facilities, Category 1*)).
- (11) *Family Care Home* (See SR 1.8 (*Family Care Home*)).

- (12) Solar Panels (See SR 2.12 (Solar Panels))
- D. **Permitted with a *Special Use Permit*.** Within the R-40 District, the following uses are permitted with a *Special Use Permit* provided that the conditions listed below be met. This *Special Use Permit* shall be issued in accordance with §42-355 (*Special Use Permits*):
- (1) *Park* (See SR 4.13 (*Park*)).
 - (2) *Camp* (See SR 4.2 (*Camp*)).
 - (3) Tennis Club (See SR 4.14 (Recreational Facilities (Indoor/Outdoor))).
 - (4) Racquet Club (See SR 4.14 (Recreational Facilities (Indoor/Outdoor))).
 - (5) *Golf Course* (See SR 4.6 (*Golf Course and/or Country Club*)) (Miniature golf courses and private driving tees operated for commercial purposes are not allowed.) .
 - (6) Customary Incidental Home Occupation (permitted as accessory uses in a residence). Customary incidental home occupations include, but are not limited to: dressmaking, cooking, baking, music instruction, and the practice of such professions as insurance, medicine, artistry, architecture, and accounting. Customary incidental home occupations must:
 - a. Be conducted entirely within a dwelling;
 - b. Be carried on by the occupants thereof;
 - c. Be clearly incidental and secondary to the use of the dwelling for residential purposes;
 - d. Not change the character thereof;
 - e. Not install or use mechanical equipment except such as is normally used for domestic or professional purposes;
 - f. Not have over 25 percent of the total floor space of any *structure* in use for a home occupation; and
 - g. Not be conducted in any accessory building.
 - (7) *Library* (See SR 5.15 (Museum/*Library/Archive*)).
 - (8) *Bed-and-Breakfast Inn* (See SR 1.2 (*Bed and Breakfast Inn*)).
 - (9) R-O Residential Open Spaces Development.
 - a. Any use permitted in the R-40 District, with any conditions pertaining thereto, shall be a permitted use.
 - b. Establishment of R-O Development. An R-O Development shall be considered to conform to the requirements of such district when the following circumstances exist:
 1. An entire tract of land under one (1) ownership is being subdivided at one (1) time pursuant to an overall plan of development which includes open spaces, such as *golf courses*, lakes, recreational

areas, meadows, *parks*, woods or other open or green spaces. All required *open space* shall be dedicated to the public and accepted by the County or transferred to a property owners' association or transferred to a private club, subject to deed restrictions forbidding its later *subdivision* or development for other than residential *open space* purposes.

2. Such *open spaces* consist of one (1) or more parcels of land in the proposed *subdivision* which have a total of at least ten (10) percent of the entire tract. No parcel of land less than one (1) acre in area shall be considered in arriving at the total area of the *open spaces*.
3. The gross residential density of the area being subdivided will be no more than the density that would have been permitted in the total area of said tract being subdivided, without regard to the special provisions applying to an R-O Development hereinafter set out in subsection c.
 - (a) No R-O Development shall be established unless and until there is delivered to the *Zoning Administrator* a written instrument in recordable form, executed by the *owner* or *owners* of all interests in the proposed tract to be subdivided, providing that in consideration of the designation of said *subdivision* as an R-O Development and benefits accruing to such *owners* in the *subdivision* from such designations, and in recognition that purchasers of *lots* in the *subdivision* will rely upon the continuing existence of such *open spaces*, it is irrevocably agreed upon that such spaces will remain open with no buildings thereon, except as may be reasonably incidental to the use of the *open spaces* for the purpose designated. These restrictions shall be binding upon the present *owners* of the proposed *subdivision* and *open spaces* and upon their successors in title and may be enforced by the *Zoning Administrator* or other appropriate public authority as provided in this Chapter or by the *owner* of any *lot* in the *subdivision* by suit for mandatory injunction or for damages.
 - i. Said written instrument shall also contain a legal description of each *open space*, shall describe the use (if any) which the *owner* proposes and shall provide that if such *open space* is not maintained as agreed, the *owners* of a majority of the *lots* in the *subdivision* shall have the right to form an association which shall have the right to perform such maintenance at the expense of the members thereof.

- ii. Said written instrument shall further provide that if such *open spaces* shall be foreclosed and sold for nonpayment of taxes, said association of *lot owners* and anyone claiming under them shall be forever barred from asserting any right, title or interest in or to said *open spaces*.
 - (b) If the proposed R-O Development is established, the written instrument described in subsection b(3)(a) shall be recorded in the office of the Register of Deeds for Henderson County.
 - (c) Application to create an R-O Development shall be accompanied by the written instrument above referred to and a major site plan, in accordance with §42-330 (Major Site Plan Review). Applications to create an R-O Development shall comply with the applicable requirements for *subdivision* application.
 - c. Dimensional requirements in R-O Development. The dimensional requirements shall be reduced as follows for lots within the R-O development:
 - 1. If the total *open space* pursuant to subsection b above is less than ten (10) percent of the area of the *tract* being subdivided, said requirement shall not be reduced at all;
 - 2. If the total *open space* pursuant to subsection b above is at least ten (10) percent and less than 20 percent of the total *tract* being subdivided, each dimensional requirement shall be reduced ten (10) percent;
 - 3. If the total *open space* pursuant to subsection b above is at least 20 percent and less than 30 percent of the total *tract* being subdivided, each dimensional requirement shall be reduced 20 percent;
 - 4. If the total *open space* pursuant to subsection b above is at least 30 percent of the total *tract* being subdivided, each dimensional requirement shall be reduced 30 percent.
 - d. Nothing herein shall be deemed to require the County to accept any such *open space* that is dedicated to the public.
- (10) R-A Residential Apartment.
- a. The purpose of the R-A Residential Apartment Development is to permit establishment of apartment developments in the R-40 District and to minimize any detrimental effects of such developments on existing land uses. Within an R-A Development, apartments and customary accessory buildings shall be permitted as per the requirements of §42-37 (Estate Residential District (R-40)) C (7) (Accessory Structures).

- b. R-A Developments may be located in the R-40 District subject to a finding by the *Zoning Board of Adjustment (ZBA)*, on advice and recommendation of the *Planning Director*, that certain conditions shall be met.
 1. Location. Subject to the provisions of this section, an R-A Development may be established in an area contiguous to and abutting for at least 400 feet on either US 25, US 64, US 176, US 74, NC 191, NC 280, I-26 or Kanuga Road, or may be established on a minor street intersecting one of the aforementioned major streets within a distance not to exceed 1,500 feet from the point of intersection of the two (2) streets.
 2. Minimum Size. The minimum area for an R-A Development shall be one-and-one-half (1 ½) acres.
 3. Design Requirements. The proposed development of an R-A Development shall be considered in accordance with an overall plan which shall include provisions for:
 - (a) Landscaping. The proposed development shall be designed as a single architectural scheme with appropriate common landscaping.
 - (b) Parking. Parking space shall be provided within the development at a ratio of one-and-one-half (1 ½) spaces for each apartment unit.
 - (c) Area Regulations. No building shall be erected at a distance of less than 60 feet from the center line of any minor street on which the *lot* abuts, nor less than the required side or rear lot line setback of the adjacent district; however, in no instance shall the minimum side and rear lot line setback be less than 10 feet. The distance at the closest point between any building or group of attached buildings shall not be less than 15 feet.
 - (d) Screening. A ten (10) foot evergreen planted buffer strip shall be provided wherever the development adjoins the boundary or property line of a *residential zoning district*.
 - (e) Traffic Circulation. The location of driveways, parking spaces and interior streets shall be designated on said plan.
- c. Procedures for Application and Review. An applicant desiring to develop an R-A Development shall adhere to the following procedures:
 1. *Special Use Permit* Application. The applicant shall submit to the Board of Commissioners a written application for a *Special Use Permit* in accordance with §42-355 (*Special Use Permit*).
 2. Development Plan. A copy of the development plan shall be submitted to the *Planning Director* for review and recommendations. The *Zoning Board of Adjustment (ZBA)* shall

not issue a *Special Use Permit* until it has received recommendations from the *Planning Director*.

(a) The development plan shall include the following information and supporting documentation:

- i. The scale of the map, which shall be not less than one (1) inch to 50 feet with contours at five (5) foot vertical intervals showing pertinent topographical features.
- ii. The location, use, plan and dimension of each building or structure to be constructed.
- iii. The location, dimensions and arrangements of all access ways, entrances, exits, off-street parking facilities, streets and sidewalks.
- iv. The locations, dimensions and arrangements of all *open spaces* and areas devoted to planting, lawns, trees or similar purposes, with a description including the height and density of all trees or planting to be used for screening.
- v. The location and description of all facilities to be used for sewage disposal, water supply, *stormwater* drainage and all utilities.

- (11) *Communication Facilities, Group 2* where such towers are limited to: (1) monopole towers, and (2) a height no greater than 100 feet (See also SR 9.3).
- (12) Wind Mill/Turbine, Accessory \leq 40 ft (See SR 3.16).
- (13) Wind Mill/Turbine, Accessory $>$ 40 ft (See SR 3.17).

§42-38. Waterfront Residential District (WR)

- A. **Purpose.** The Waterfront Residential District (WR) is established to maintain the zoning in place prior to the adoption of this Chapter 42. This district is established for residential development on or adjacent to waterfront property, that which is navigable for small recreational-type boats and watercraft. The district is intended to maintain and promote low-density single-family development and is intended to provide protection of the existing waterfront character and environmental sensitivity, particularly the water quality and any adjacent wetlands. The WR District shall not be extended from the locations designated on the Official Zoning Map, nor shall new WR District areas be designated except where initiated by the Board of Commissioners or *Planning Board*. The WR District may be altered or removed.
- B. **Dimensional Requirements.** Each *use* allowed in this district shall at a minimum conform to the following requirements. In some cases a specific *use* may be required to meet the Supplemental Requirements as set forth in §42-62 (Supplemental Requirements). The Conservation Subdivision option shall be available in the WR District. Minimum *lot* sizes shall not apply when using the Conservation Subdivision option and an average density of one (1) unit per 30,000 square feet shall be applied.

Table 2.12. WR Dimensional Requirements			
(1) Minimum <i>Lot</i> Area (sq ft)			30,000
Minimum <i>Lot</i> Area Per Dwelling (Family Unit) (sq ft)			30,000
(3) <i>Yard Setbacks</i> (feet)	<i>Front</i> or <i>ROW</i>	(2) Major <i>Roads</i>	60
		All Others	45
	<i>Side</i>		None
	<i>Rear</i>		25
	Waterfront		None
Maximum Height <i>Principal Structure</i> (feet)			35
Maximum Height <i>Accessory Structure</i> (feet)			15
Maximum Height Boat House (feet) (Measured from <i>Full Pond Elevation</i>)			25

- (1) The minimum *lot* area for portions of the *tract* with a *slope* of 60 percent or greater (where such *slope* areas of the *tract* account for ten (10) percent or more of the *tract*) shall be twice the minimum *lot* area of the district.
- (2) Major *roads* shall include: Interstate 26, US Highway 64, US Highway 25, US Highway 176, NC Highway 280, NC Highway 191, Kanuga/Crab Creek Road (SR 1127), Clear Creek Road (SR 1503), Upward Road (SR 1722), and the Upward Road Connector (SR 1783).
- (3) *Yard setbacks* shall be measured from the centerline of *right-of-way*. Where the *road* is a major *road* and more than two (2) lanes (including parking lanes), the *yard setback* requirements shall be measured and begin at a point on the pavement 12 feet from the edge of the paved *road* abutting the property in subject.

- C. **Permitted Uses.** Within the WR District, the following uses are permitted:

- (1) *Dwelling, single-family, and manufactured homes (multi-section)*, excluding *manufactured homes (singlewide)* and *mobile homes* (See SR 1.4 (*Dwelling, Manufactured/Mobile Home (multi-section/singlewide)*) and SR 1.6 (*Dwelling, Single Family Detached*)).
- (2) Customary Accessory Building (Including garages, storage buildings, pools, tennis courts, boathouses and similar recreational uses). Customary accessory buildings:
 - a. Shall be permitted in *rear yards*, provided that they are located not less than five (5) feet from any property line;
 - b. May be permitted in *side yards*, provided that their placement shall not exceed the minimum *side yard* setback requirement for that district or use;
 - c. Shall not be permitted in *front yards*, except in the following cases:
 1. Where, by definition, more than one (1) *front yard* exists, such as in corner *lots* or *double fronted lots*; or
 2. Where the measurement of a *lot's* perimeter boundary is equal to or exceeds 50 percent of the abutting *road right-of-way*;
 - d. In Subsection c.1. and c.2. above, an accessory building shall not be located closer to the center line of the abutting *road* than is otherwise permitted by this Chapter;
 - e. In these cases only, such *determination* shall be made by the *Zoning Administrator* on a case-by-case basis. *Determinations* shall take into account orientation of the *structure* and dwelling, *road* and *driveway* location, topographical features, traffic volume, and visual buffers; and
 - f. In no case shall an accessory building be permitted in any *front, side* or *rear yard* if it exceeds 15 feet in height or if it occupies more than 30 percent of the required yard area; however, height restrictions do not apply on lots of one (1) or more acres. Maximum building height for private boathouses shall be 25 feet measured from the *full pond elevation* (lakes) or *mean sea level* elevation (rivers).
- (3) *Signs* not more than four (4) square feet in area advertising the sale or rental of property on which they are located.
- (4) *Church*, provided that:
 - a. The *structures* are placed not less than 50 feet from any property line;
 - b. They are located with access to a street, as shall be determined by the *Zoning Administrator*; and
 - c. There is a planted buffer strip along the side and rear property lines, except where such lines run parallel and contiguous with streets, streambeds, lakes and railroad tracks. (See also SR 5.4 (Cemetery/Mausoleum/Columbarium (excluding crematoriums)))
- (5) *Church* bulletin boards not exceeding 12 square feet in area.

- (6) *Utility Substation* (See SR 9.14 (*Utility Substation*)).
 - (7) *Communications Facilities, Category 1* (See SR 9.3 (*Communications Facilities, Category 1*)).
 - (8) *Family Care Home* (See SR 1.8 (*Family Care Home*)).
 - (9) *Solar Panels* (See SR 2.12 (*Solar Panels*)).
- D. **Permitted with a *Special Use Permit*.** Within the WR District, the following uses are permitted with a *Special Use Permit* provided that the conditions listed below be met. This *Special Use Permit* shall be issued in accordance with §42-355 (*Special Use Permits*):
- (1) *Park* (See SR 4.13 (*Park*)).
 - (2) *Tennis Club* (See SR 4.14 (*Recreational Facilities (Indoor/Outdoor)*)).
 - (3) *Racquet Club* (See SR 4.14 (*Recreational Facilities (Indoor/Outdoor)*)).
 - (4) *Golf Course* (See SR 4.6 (*Golf Course and/or Country Club*)).
 - (5) *Camp* (See SR 4.2 (*Camp*)).
 - (6) *Customary Incidental Home Occupation* (permitted as accessory uses in a residence). Customary incidental home occupations include, but are not limited to: construction, and the practice of such professions as insurance, medicine, artistry, architecture, and accounting. Customary incidental home occupations must:
 - a. Be conducted entirely within a dwelling;
 - b. Be carried on by the occupants thereof;
 - c. Be clearly incidental and secondary to the use of the dwelling for residential purposes;
 - d. Not change the character thereof;
 - e. Not install or use mechanical equipment except such as is normally used for domestic or professional purposes;
 - f. Not have over 25 percent of the total floor space of any *structure* in use for a home occupation; and
 - g. Not be conducted in any accessory building.
 - (7) *Communication Facilities, Category 2* where such towers are limited to: (1) monopole towers, and (2) a height no greater than 100 feet (See also SR 9.3 (*Communication Facilities, Category 2*)).
 - (8) *Wind Mill/Turbine, Accessory* ≤ 40 ft (See SR 3.16).
 - (9) *Wind Mill/Turbine, Accessory* > 40 ft (See SR 3.17).

§42-39. Surface Water District (SW)

A. **Purpose.** The Surface Water District (SW) is established to maintain the zoning in place prior to the adoption of this Chapter 42. It is the intent of this district to protect surface waters for the enhancement of recreation, to promote water safety and maintain a proper ecologic/development balance. The SW District shall not be extended from the locations designated on the Official Zoning Map, nor shall new SW District areas be designated except where initiated by the Board of Commissioners or *Planning Board*. The SW District may be altered or removed.

B. **Permitted Uses.** Within the SW District, the following uses are permitted:

(1) *Private boathouse, pier, dock, and bulkhead.*

- a. *Structures* may extend over the water for a distance of no more than 80 feet from the shore as measured from the *full pond elevation* (lakes) or *mean sea level* elevation (rivers).
- b. In no event shall a *structure*, when located in a cove or river, extend more than one-third (1/3) the width of the cove or river measured from the shore at the *full pond elevation* (lakes) or *mean sea level* elevation (rivers) at the point of the proposed construction to the nearest point on the opposite shore.
- c. The *structure* shall extend into the water so as to remain confined within a projection of the side *lot lines* of the *lot* on which the *pier* is accessed, maintaining the *side yard setback* requirements of the adjacent zoning district. A *structure* or other projection over the water may be established at each of the two (2) property lines on the shoreline at the *full pond elevation* (lakes) or *mean sea level* elevation (rivers). Each projection should be perpendicular to a line connecting two (2) points on the shoreline where a ten (10) foot radius from that property corner intersects the shoreline.
- d. Maximum building height for *private boathouses* shall be 25 feet measured from *full pond elevation* (lakes) or *mean sea level* elevation (rivers).

(2) Governmental recreational facilities, including, but not limited to: *piers, docks* and *bulkheads*, provided that the standards cited in subsection (1)a through (1)d are met.

(3) *Communications Facilities, Category 1* (See SR 9.3 (*Communication Facilities, Category 1*)).

(4) *Communication Facilities, Category 2* where such towers are limited to: (1) monopole towers, and (2) a height no greater than 100 feet (See also SR 9.3 (*Communication Facilities, Category 2*)).

(5) Navigational or Warning *Signs* (*signs*, other than navigational or warning *signs*, shall not be allowed on the surface of the lake or river).

§42-40. Reserved

§42-41. Reserved

§42-42. Reserved

§42-43. Reserved

§42-44. Reserved

Subpart B. Conditional Zoning Districts

§42-45. Conditional Zoning Districts Established

Conditional Zoning Districts are created for the purpose of providing an optional rezoning choice where the *owner* of property proposes to rezone property and, in order to, among other reasons, carry out the purposes of the *Comprehensive Plan*, proposes to impose special limitations and conditions on the *use* of the property proposed for rezoning.

Conditional Zoning Districts are zoning districts in which the development and *use* of the property is subject to predetermined Chapter standards and the rules, regulations, and conditions imposed as part of the legislative decision creating the district and applying it to each individual development project.

A. **Dimensional and Use Requirements.** Each *use* proposed in a petition for a Conditional Zoning District shall, at a minimum, conform to the following dimensional and use requirements. In some cases, a specific *use* may be required to meet the Supplemental Requirements as set forth in §42-62 (Supplemental Requirements).

- (1) Dimensional requirements for single and multifamily residential *uses* shall be the same as those found in the R1 District.
- (2) If the subject area, or any portion thereof, is zoned R1, R2, R2R, R3, R4, R-40, WR or SW, then no conditional zoning shall be allowed to add additional uses beyond those otherwise allowed in the area as zoned. Dimensional requirements for non-residential uses shall be the same as those found in the LC District.

B. **General Provisions.**

- (1) Site Plan. Major Site Plan required in accordance with §42-330 (Major Site Plan Review).
- (2) All CD districts shall adhere to a *site-specific vesting plan*.
- (3) Neighborhood Compatibility Meetings. A neighborhood compatibility meeting is required. See §42-372. Neighborhood Compatibility Meeting.

Certain types of zoning districts would be inappropriate at certain locations in the absence of special conditions. Some land *uses* are of a nature or scale that may have significant impacts on both the immediately surrounding area and the entire community, which cannot be predetermined or controlled by general district standards. There are also circumstances in which a general use district designation allowing such a *use* by right would not be appropriate for a particular property though the *use* could, if properly planned, be appropriate for the property consistent with the objectives of these regulations, the adopted *Comprehensive Plan*, and adopted district. The review process established in this section provides for the accommodation of such *uses* by a reclassification of property into a conditional zoning district, subject to specific conditions, which ensure compatibility of the *use* with the use and enjoyment of neighboring properties.

Where the *applicant* for rezoning desires property to be rezoned to such a district in such situations, the Conditional Zoning District is a means by which such special conditions can be imposed in the furtherance of the purpose of this Chapter and the recommendations of the *Comprehensive Plan*. The Conditional Zoning District classification will be considered for

rezoning only with the consent of the property *owner*. If, for any reason, any condition imposed pursuant to these regulations is found to be illegal or invalid or if the *applicant* should fail to accept any condition, it is the intent of this Chapter that the authorization of such Conditional Zoning District shall be null and void and of no effect and that proceedings shall be instituted to rezone the property to its previous zoning classification.

§42-46. Plans and Other Information to Accompany Petition

Property may be rezoned to a Conditional Zoning District only in response to, and consistent with, a petition submitted by the *owners* of all of the property to be included in the district. A petition for conditional zoning must include a *site plan*, drawn to scale, and supporting information and text that specifies the actual *use* or *uses* intended for the property and any rules, regulations and conditions that, in addition to all predetermined requirements, will govern the development and *use* of the property.

§42-47. Approval of Conditional Zoning District

Conditional Zoning District decisions are a legislative process subject to judicial review using the same procedures and standard of review as applicable to general *use district* zoning decisions. Conditional Zoning District decisions shall be made in consideration of identified relevant adopted land *use* plans for the area, including, but not limited to, the *Comprehensive Plan*, strategic plans, district plans, *neighborhood* plans, corridor plans, and other land-use policy documents.

§42-48. Conditions to Approval of Petition

In approving a petition for the reclassification of property to a Conditional Zoning District, the Planning Board may recommend, and the Board of Commissioners may request that reasonable and appropriate conditions be attached to the approval of the petition. Conditions and site-specific standards shall be limited to those that address the conformance of the development and *use* of the site to County ordinances and any officially adopted *Comprehensive Plan* or other land *use* plan, that address the impacts reasonably expected to be generated by the development or *use* of the site. Any such conditions should relate to the impact of the proposed *use* on surrounding property, support facilities (such as parking areas and *driveways*), pedestrian and vehicular circulation systems, *screening* and buffering areas, timing of development, *road* and *right-of-way* improvements, water and sewer improvements, *stormwater* drainage, provision of *open space*, and other matters that the Commissioners may find appropriate or the *applicant* may propose. Such conditions to approval of the petition may include dedication to the County, State or other public entity, as appropriate, of any *rights-of-way* or *easements* for *roads*, water, sewer, or other public utilities necessary to serve the proposed development. The *applicant* shall have a reasonable opportunity to consider and respond to any such conditions prior to final action by the Board of Commissioners. Only those conditions mutually approved by the Board of Commissioners and the *applicant* may be incorporated into the petition through written consent.

§42-49. Effect of Approval

If a petition for conditional zoning is approved, the development and *use* of the property shall be governed by the existing Chapter requirements applicable to the special requirements for the approved use or uses, the approved *site plan* for the district, and any additional approved rules, regulations, and conditions, all of which shall constitute zoning regulations for the approved

district and are binding on the property as an amendment to these regulations and to the Official Zoning Map.

Only those *uses* and *structures* indicated in the approved petition and *site plan* shall be allowed on the subject property. A change of location of the *structures* may be authorized pursuant to §42-50 (Alterations to Approval). Changes to the *site plan* layout shall not increase the number of *structures*.

Following the approval of the petition for a Conditional Zoning District, the subject property shall be identified on the Official Zoning Map by the appropriate district designation. A conditional zoning shall be identified by the letters “CD” then followed by the calendar year and application number (for example “CD-2019-01”). Approved conditions shall be recorded with the approved site plan in the registered of deeds office.

§42-50. Alterations to Approval

Except as provided herein, changes to an approved petition or to the conditions attached to the approved petition shall be treated the same as minor modifications to these regulations or to the Official Zoning Map and shall be processed in accordance with the procedures of this Chapter.

The *Planning Director* or designee shall have the delegated authority to approve a minor modification to an approved *site plan*. The standard for approving or denying such a minor modification shall be that the change does not significantly alter the *site plan* or its conditions and that the change does not have a significant impact upon abutting properties. Any decision must be in writing stating the grounds for approval or denial.

For *nonresidential development*, an increase in the intensity of the development is limited to ten (10) percent of the approved *structure* size or 1,000 square feet, whichever is less. For *residential development* minor modifications are permitted in the conditional district standards that do not involve a change in uses permitted or the density of overall development permitted, may be reviewed and approved by the *Planning Director*.

The *Planning Director*, however, shall have the discretion to decline to exercise the delegated authority either because of uncertainty about approval of the change pursuant to the standard or because Board of Commissioner consideration and public hearing is deemed appropriate under the circumstances. If the *Planning Director* declines to exercise this authority, the *applicant* may request a map amendment as permitted by this Chapter.

§42-51. Review of Approval of a Conditional Zoning District

It is intended that property shall be reclassified to a Conditional Zoning District only in the event of firm plans to develop the property. Therefore, no sooner than three (3) years after the date of approval of the petition, the Planning Board may examine the progress made toward developing the property in accordance with the approved petition and any conditions attached to the approval. If the Planning Board determines that progress has not been made in accordance with the approved petition and conditions, the Planning Board shall forward to the Board of Commissioners a report, which may recommend that the property be classified to another district.

August 5, 2024

Subpart C. Overlay Districts

§42-52. Overlay Districts Established

Overlay Zoning Districts are established to provide special additional development standards for specially identified areas such as the *Water Supply Watershed*. Certain Overlay Zoning Districts are also available to allow flexibility in design for certain types of developments. Overlay Zoning Districts combine with the regulatory provisions of the underlying General or Conditional Zoning Districts to provide additional or alternative standards. The districts listed in this Subpart D generally apply a higher degree of regulation to affected properties. In order to become effective, individual overlay districts must be adopted on the *zoning map* as an addendum to the underlying zoning district through a public hearing process. Affected properties will be subject to the standards of both the overlay and underlying districts.

§42-53. Airport Overlay District (AI) (Reserved)

§42-54. Corridor Overlay District (Reserved)

§42-55. Reserved

§42-56. Reserved

§42-57. Reserved

§42-58. Reserved

§42-59. Reserved

§42-60. Water Supply Watershed Protection Overlay District (WSWP)

The purpose of the *Water Supply Watershed Protection Overlay District (WSWP)* is to define the area of *water supply watersheds* within the County. The intent of the overlay district is to manage the *uses* of land and *structures* encompassed by *water supply watersheds* within the County in order to maintain the high quality of surface water in these *watersheds*; this being accomplished by enforcing standards that limit the impact from existing or potential sources of contamination through the regulation of average *lot size* and development intensity.

- A. Scope. Land *use* within the WSWP overlay district must comply with all the requirements of both the underlying general *use district* and the applicable *Water Supply Watershed* overlay district classification. If a *use* or class of *use* is not specifically indicated as being permitted in a *watershed* area, such *use* or class of *use* is prohibited.
- B. Establishment. This incorporates by reference the “Official Water Supply Watershed Map for Henderson County,” hereinafter “Official Water Supply Watershed Map,” and subsequent amendments thereto, showing all *water supply watershed* areas designated by the North Carolina Environmental Management Commission, hereinafter *NCEMC*. The Official Water Supply Watershed Map shall be maintained by the *Planning Director* and kept in the Planning Department. The water supply watershed map shall also be shown on and become part of the Official Zoning Map for the County. The rules of interpretation for the boundaries of the map (see §42-239.3 (Interpretation of Boundaries of the Water Supply Watershed Map)) apply. In addition, where any WSWP overlay

district boundaries lie at a scaled distance of more than 25 feet from any parallel *lot* line, the location of these map boundaries shall be determined by using the scale of the map.

C. Application of Regulations.

(1) General Application. No *structure* or land shall hereafter be used and no development shall take place in the WSWP overlay district except in conformity with the regulations herein specified for the *watershed* sub-district in which it is located. All development must minimize built-upon surface area; direct *stormwater* away from surface waters; and incorporate *best management practices* to minimize water quality impacts. No area required for the purpose of complying with the provisions of this Article shall be included in the area required for another *building*.

(2) Exceptions.

- a. Existing Development. *Existing development* shall be subject to the regulations contained in §42-294 (Nonconforming Lots). Expansions to *structures* classified as “*existing development*” must meet the requirements of this subsection; however, the *built-upon area* of the *existing development* is not required to be included in density calculations.
- b. Lots Created as Part of Any Ordinance. Any *lot* or parcel created as part of any *subdivision* that is exempt from the requirements of this Chapter shall be subject to the land *use* requirements (including *impervious surface* requirements) of this subsection, except that such *lot* or parcel must meet the minimum stream *buffer* requirements of §42-250 (Perennial and Intermittent Surface Water Buffers) to the maximum extent practicable.
- c. Cemetery Lots. The division of a *tract* into plots or *lots* used as a cemetery.

D. Sub-Districts and Sub-District Regulations.

(1) General. The regulations of this subsection shall apply uniformly to each class or kind of *structure* or land located within any of the enumerated sub-district classifications. Within the sub-districts as established below, the requirements set forth in this subsection shall be complied with in addition to any other applicable general or special requirements of this Chapter.

(2) Impact on Water Quality and Public Health. No activity, situation, *structure* or land *use* shall be allowed within a WSWP overlay sub-district that poses a threat to water quality and/or the public health, safety and welfare. Such conditions may arise from inadequate on-site sewage systems which utilize ground absorption; inadequate *sedimentation* and *erosion* control measures; the improper storage or disposal of *junk*, trash or other refuse within a *buffer* area; the improper management of *stormwater runoff*; or any other situation found to pose a threat to water quality. The *Water Quality Administrator* shall monitor land *use* activities within the *watershed* areas to identify situations that may pose a threat to water quality. Where such activities are found, the *Water Quality Administrator* shall take any appropriate action or proceeding to restrain, correct or abate the condition and/or *violation*.

- (3) Water Supply Watershed Protection Sub-Districts and District Purposes. Sub-districts include:
- a. WP-WS-I North Fork of Mills river and Bradley Creek Watershed Overlay Sub-District. The intent of the sub-district is to provide maximum protection for water supplies within essentially natural and undeveloped *watersheds* in public ownership by allowing only low-intensity *uses*. Impacts from nonpoint source pollution shall be minimized.
 - b. WP-WS-II-CA Mills River Critical Area Watershed Overlay Sub-District. The intent of the sub-district is to maintain a predominately undeveloped land *use* intensity pattern allowing only very low-density developments.
 - c. WP-WS-II-BW Colt Creek and Mills River Balance of the Watershed Overlay Sub-Districts. The purpose of the sub-district is to maintain a predominately undeveloped land *use* intensity. Projects in this sub-district must, to the maximum extent practicable, minimize built-upon surface area; direct *stormwater* away from surface waters; and incorporate *best management practices* to minimize water quality impacts.
 - d. WP-WS-III-CA Lower Mills River Critical Area Watershed Overlay Sub-District. The purpose of the sub-district is to maintain a predominantly undeveloped land *use* intensity pattern.
 - e. WP-WS-III-BW Lower Mills River Balance of Watershed Overlay Sub-District. The intent of the sub-district is to maintain a predominantly underdeveloped land *use* intensity. Projects in this sub-district must, to the maximum extent practicable, minimize built-upon surface area; direct *stormwater* away from surface waters; and incorporate *best management practices* to minimize water quality impacts.
 - f. WP-WS-IV-CA Upper French Broad River Critical Area Watershed Overlay Sub-District. Only new development activities that are required by this Chapter to submit a soil erosion and sedimentation control plan because one or more acres of land have been disturbed are required to meet the provisions of this Chapter related to *water supply watershed* when located in a WS-IV watershed. New *development* activities within this sub-district that do not require a soil *erosion* and *sedimentation* control plan are not required to meet the water supply watershed provisions of this sub-district.
 - g. WP-WS-IV-PA Upper French Broad River Protected Area Watershed Overlay Sub-District. The intent of the WP-*WS-IV-PA* Upper French Broad River *watershed* overlay sub-district is to provide protection for water quality while accommodating moderate to high land *use* intensity. Development projects undertaken within this sub-district may qualify for an exemption from the density and built-upon limits as set out in this section if the project meets the criteria outlined in §42-60 (Water Supply Watershed Protection Overlay District (WSWP) D (Sub-Districts and Sub-

District Regulations) (6) Sedimentation and Erosion Control Exemption. For projects implementing a *natural drainage and filtering system* within the low-density option the built-upon limitations indicated herein below shall apply. If *stormwater runoff* is filtered naturally and is not passed by gutters, drains, pipes, paved swales or other similar conduits, qualification for a *natural drainage and filtering system* bonus shall not impose a more stringent requirement than the provisions of this Chapter regulating the subdivision of land, or the North Carolina *erosion and sedimentation* control permit requirements.

- (4) Water Supply Watershed Protection Sub-District Regulations on Density, Built-Upon Area, Setbacks, and Stormwater.
- a. Low Density Option.
 1. Engineered Stormwater Controls. Not required.
 2. Average Lot Size. Average *lot size* shall apply to single-family development and shall be calculated excluding *road right-of-way* as per Table 2.14.
 3. Maximum Percent Built-Upon Limits. Maximum percent built-upon limits shall apply to *multifamily residential* and *nonresidential development* as per Table 2.14. For the purpose of calculating *built-upon area*, total project area shall include total acreage in the tract on which the project is to be developed.
 4. Perennial and Intermittent Surface Water Buffers. 30 feet (See §42-250 (Perennial and Intermittent Surface Water Buffers)).
 - b. High-Density Option. Where new *development* exceeds average lot size requirements or percent *built-upon area* under the low-density option, the development shall be considered high-density.
 1. Engineered Stormwater Controls. High-density projects are required to control runoff from the first inch of rainfall over a 24-hour period. Stormwater controls shall adhere to the requirements of §42-239 (Stormwater Management Regulations) and §42-240 (Structural and Nonstructural Stormwater BMPs Maintenance).
 2. Maximum Percent Built-Upon Limits. New high-density development shall not exceed the prescribed percent *built-upon area* as per Table 2.14.
 3. Perennial and Intermittent Surface Water Buffers. The requirements of §42-250 (Perennial and Intermittent Surface Water Buffers) shall apply and shall be expanded to a minimum of 100 feet landward of all perennial surface waters.
 4. Total Suspended Solids Removal Requirement. Stormwater controls shall be designed to remove 85% of TSS.

Table 2.14 provides sub-district *average lot size density* and *built-upon area* limitations.

Table 2.14. Water Supply Watershed Protection Sub-District Regulations on Density and Built-Upon Area				
Sub-District	Low-Density Option		High-Density Option	Natural Drainage & Filtering Bonus
	Average Lot Size	Maximum Percent Built-Upon Limits	Maximum Percent Built-Upon Limits	
WP-WS-I	Not Applicable	Not Applicable	Not Applicable	Not Applicable
WP-WS-II-CA	80,000 sq.ft.	6%	24%	Not Applicable
WP-WS-II-BW	40,000 sq.ft.	12%	30%	Not Applicable
WP-WS-III-CA	40,000 sq.ft.	12%	30%	Not Applicable
WP-WS-III-BW	20,000 sq.ft.	24%	50%	Not Applicable
WP-WS-IV-CA	20,000 sq.ft.	24%	50%	Not Applicable
WP-WS-IV-PA (Drainage & Filtering Bonus)	20,000 sq.ft. (14,250 sq.ft.)	24% (36%)	70%	Yes (Low-Density Option)

(5) Water Supply Watershed Protection Sub-District Permitted Uses. Table 2.15 outlines specifically prohibited uses within each sub-district. Table 2.16 provides specifically permitted uses within each sub-district, with additional standards required as a result of water supply watershed designation. Any proposed permitted use herein must also be permitted by the underlying general use district(s) (See §42-61 (Table of Permitted and Special Uses)).

Table 2.15. Water Supply Watershed Protection Sub-District Prohibited Uses							
USE TYPE	WP WS SUB-DISTRICT PR = Prohibited						
	I*	II CA	II BW	III CA	III BW	IV CA	IV PA
Landfills	PR	PR		PR		PR	
Landfills, Discharging	PR		PR				
Landfills, Leachate Discharging	PR				PR		
Nonresidential Development	PR						
Residential Development	PR						
Sites for land application of new residuals or petroleum contaminated soils	PR	PR		PR		PR	

*Note: The only uses permissible in the WP-WS-I district are noted in Table 2.16, Water Supply Watershed Protection Sub-District Permitted Uses with additional standards.

Table 2.16. Water Supply Watershed Protection Sub-District Permitted Uses with Additional Standards for Permitted Uses

USE TYPE	WP WS SUB-DISTRICT						
	P = Permitted, PAS = Permitted with Additional Standards						
	I	II CA	II BW	III CA	III BW	IV CA	IV PA
Agriculture, Subject to provisions of the Food Security Act of 1985 and Food, Agriculture, Conservation and Trade Act of 1990 and all rules and regulations of the Soil and Water Conservation Commission.	PAS	PAS		PAS		PAS	
Agriculture, Subject to provisions of the Food Security Act of 1985 and the Food, Agriculture, Conservation and Trade Act of 1990.			PAS		PAS		PAS
Power Transmission Lines	P						
Restricted Road Access	P						
Silviculture, Subject to the provisions of the Forest Practices Guidelines Related to Water Quality.	PAS	PAS	PAS	PAS	PAS	PAS	PAS
Water Withdrawal, Treatment and Distribution Facilities	P						

(6) Sedimentation and Erosion Control Exemption.

- a. Qualifying Criteria. Development projects undertaken within a WP-*WS-IV-PA* Upper French Broad River *watershed* overlay sub-district may qualify for an exemption from the density and built-upon limits as set out in this section if the project meets all of the following criteria:
 1. Requirement for Sedimentation and Erosion Control Plan. The development project does not require a *sedimentation* and *erosion* control plan and permit under the rules and regulations promulgated by the North Carolina *Sedimentation* Control Commission.
 2. Nonresidential. The development is nonresidential.
 3. Initial Development Activity. The development is the initial development activity on the project site or *tract* and is not an expansion of any improvements already existing on the project site or *tract* having a *built-upon area* as defined in this subsection.
- b. Evaluation of Criteria. In evaluating whether the development project meets the criteria listed above for the *sedimentation* and *erosion* control exemption, the following rules shall apply:
 1. Exemption Limitations. The exemption shall not be available to nonresidential *subdivisions*, nonresidential *cluster development(s)* or *nonresidential development* projects being developed in *phases*.
 2. Residential Developments. The exemption shall not be available for single-family or any other *residential development* projects, including *general home occupations*.
 3. Discontinuance of Construction. If construction of the development project is discontinued for a period of time in excess of 180 consecutive calendar days, any further construction shall be considered an expansion to improvements already existing on the

project site or *tract*. Any such further construction shall meet the requirements of this subsection. However, only the *built-upon area* of said further construction and the remainder of the project site or *tract* shall be used in the density calculations.

4. **Damage and Destruction.** Any exempted development project may be repaired/reconstructed if damaged or destroyed. Any such reconstruction or repair shall not be considered an expansion of an improvement already existing, provided that the repair/reconstruction restores the *building* or *built-upon area* to substantially the same condition and *built-upon area* as before any such damage or destruction. To the extent that any such repair/reconstruction enlarges the *impervious surface* associated with the *building* or *built-upon area* being repaired/reconstructed, the repair/reconstruction shall be considered an expansion to an exempted development project and shall be required to meet the density and built-upon limits contained in this subsection in accordance with subsection c.
- c. **Exempted Expansions.** Expansions to development projects which were exempted under the terms listed above shall not be exempted from the terms of this section. All such expansions shall be required to meet the requirements of this section. However, only the *built-upon area* of the expansion and the undeveloped area of the project site or *tract* shall be used in the density calculations.
- E. **Mixed-Use Development.** In cases where both residential and nonresidential *uses* are proposed for one (1) *lot* in single ownership, such mixed-use developments may be permitted without further *subdivision* of the lot. However, each *use* must adhere to its respective density/*built-upon area* requirements. For purposes of this subsection, *home occupations* shall, be considered as residential *uses*.
- F. **Existing Development.**
 - (1) **Existing Development.** *Existing development* may be continued and maintained subject to the provisions provided herein. Expansions to *structures* classified as “*existing development*” must meet the requirements of this section; however, only the *built-upon area* of the expansion and the undeveloped area of the *lot* are used in the built-upon calculations.
 - (2) **Existing Vacant Lots.** Existing vacant *lots* are *lots* for which *plats* or deeds have been recorded as of May 23, 1994 in the office of the Register of Deeds of Henderson County. An *existing lot* may be used for any of the *uses* allowed in the *watershed* area in which it is located provided that where the *lot size* is less than the minimum specified in this subsection; the *Water Quality Administrator* is authorized to issue a permit.
 - (3) **Use of Land.** *Uses* of land existing at the time of the initial adoption of *watershed* regulations for a particular area and where such *use* of the land is not permitted to be established hereafter in the *watershed* area in which it is located may be

continued in accordance with this Chapter (see Article VIII Subpart B (Water Supply Watershed Protection)).

- (4) Reconstruction of Buildings or Built-upon Areas. Any existing *building* or *built-upon area* not in conformance with the restrictions of this subsection that has been damaged or removed may be repaired and/or reconstructed, provided that the following are complied with:
 - a. Repair or reconstruction is initiated within 12 months and completed within two (2) years of such damage.
 - b. The total amount of space devoted to *built-upon area* may not be increased unless *stormwater* control that equals or exceeds the previous development is provided.

August 5, 2024

August 5, 2024

Subpart D. Table of Permitted and Special Uses
 §42-61. Table of Permitted and Special Uses

USE TYPE	GENERAL USE DISTRICT										
	P=Permitted; S=Special Use Permit										
	R1	R2	R2R	R3	R4	OI	LC	CC	RC	I	SR
1. RESIDENTIAL USES											
<i>Assisted Living Residence</i>	S	S	S	S	S	P	P	P	P		1.1
<i>Bed and Breakfast Inn</i>	P	P	P	P	P	P	P				1.2
<i>Continuing Care Retirement Community</i>	S	S	S	S	S	P	P	P	P		1.3
<i>Dwelling, Manufactured Home (multi-section)</i>	P	P	P	P	P		P				1.4
<i>Dwelling, Manufactured Home (singlewide)</i>			P	P	P						1.4
<i>Dwelling, Mobile Home</i>			P	P	P						1.4
<i>Dwelling, Multifamily</i>	S	S	S			S	S	S			1.5
<i>Dwelling, Single Family Detached</i>	P	P	P	P	P		P				1.6
<i>Dwelling, Two Family Attached</i>	P	P	P	P	P	P	P				1.7
<i>Family Care Home</i>	P	P	P	P	P	P	P				1.8
<i>Fraternity and/or Sorority House</i>	P					P					1.9
<i>Hospice Residential Care Facility</i>	S	S	S	S	S	P	P	P			1.10
<i>Manufactured Home Park</i>			S	S	S						1.11
<i>Nursing Home</i>	S	S	S	S	S	P	P	P	P		1.12
<i>Personal Storage Structures</i>	P	P	P	P	P	P	P	P	P	P	1.13
<i>Rooming and Boardinghouse</i>	S	S	S	S	S		P	P			1.14
2. ACCESSORY USES											
<i>Childcare Facility (as an accessory for a principal business)</i>			S	S	S	P	P	P	P	P	2.1
<i>Drive-Thru Window</i>				S	S	P	P	P	P		2.2
<i>Dumpster(s)</i>	P	P	P	P	P	P	P	P	P	P	2.3
<i>Dwelling, Single-Family (as an accessory for a principal business)</i>			P	P	P	P	P	P			2.4
<i>Fuel Pumps</i>			S	S	S		P	P	P	P	2.5
<i>Home Occupation, Adult Day Care</i>	P	P	P	P	P		P				2.6
<i>Home Occupation, Childcare Facility</i>	P	P	P	P	P		P				2.7
<i>Home Occupation, General</i>	P	P	P	P	P	P	P				2.8
<i>Home School</i>	P	P	P	P	P	P	P	P	P	P	-
<i>Outdoor Storage ≤5000 sq ft</i>			S	P	P		S	P	P	P	2.9
<i>Outdoor Storage >5000 sq ft</i>			S	S	S			S	P	P	2.10
<i>Rural Family Occupation</i>			P	P	P						2.11
<i>Solar Panels</i>	P	P	P	P	P	P	P	P	P	P	2.12
3. ACCESSORY STRUCTURES											
<i>Airport (Private Accessory)</i>				S	S					S	3.1
<i>Automatic Teller Machine</i>						P	P	P	P	P	3.2
<i>Boathouse, Private</i>	P	P	P	P	P						3.3
<i>Bulkhead</i>	P	P	P	P	P						3.4
<i>Carport</i>	P	P	P	P	P	P	P				-
<i>Dock/Pier</i>	P	P	P	P	P	P					3.5

USE TYPE	GENERAL USE DISTRICT										
	P=Permitted; S=Special Use Permit										
	R1	R2	R2R	R3	R4	OI	LC	CC	RC	I	SR
Dwelling, Accessory Residential	P	P	P	P	P	P	P				3.6
Garage, Residential	P	P	P	P	P	P	P				-
Gate and/or Guardhouse	P	P	P	P	P	P	P	P	P	P	3.7
Greenhouse	P	P	P	P	P	P	P	P	P	P	3.8
Heliport (Private Accessory)		S	S	S	S	P			P	P	3.9
Loading Bay				S	S	P	P	P	P	P	-
Outdoor Sale Display Areas							P	P	P		3.10
Parking Garage						P		P	P	P	3.11
Planned Seasonal Agricultural Worker Development	P	P	P	P	P	P	P	P	P	P	3.12
Produce Stand, Accessory	P	P	P	P	P	P	P	P	P	P	3.13
Satellite Dish	P	P	P	P	P	P	P	P	P	P	-
Storage Shed	P	P	P	P	P	P	P	P	P	P	3.14
Swimming Pool, Spa, Hot Tub, Residential	P	P	P	P	P	P	P				-
Wastewater Treatment Plant, Small Accessory	P	P	P	S	S	P	P	P	P	P	3.15
Wind Mill/Turbine, Accessory ≤ 40 ft height	S	S	S	S	S	S	S	S	S	S	3.16
Wind Mill/Turbine, Accessory > 40 ft height		S	S	S	S	S	S	S	S	S	3.17
4. RECREATIONAL USES											
Amusement Park										S	4.1
Camp	P	P	P	P	P	P	P	P	P		4.2
Campground	S	S	S	S	S						4.3
Camping, Low Impact	P	P	P	P	P	P	P	P	P	P	4.4
Coin Operated Amusements							P	P	P		4.5
Common Area Recreation and Service Facilities	P	P	P	P	P	P	P				4.6
Golf Course and/or Country Club	P	P	P	P	P	P	P	P	P		4.7
Governmental Recreational Facilities	P	P	P	P	P	P	P	P	P		4.8
Marina		S	S	S	S		P	P			4.9
Miniature Golf Course or Driving Tees/Ranges (operated for commercial purposes)	S	S	S	S	S	S	P	P	P		4.10
Motor Sports Facility, Major										S	4.11
Motor Sports Facility, Minor										S	4.12
Motor Sports Facility, Recreational								S	S	S	4.13
Park	P	P	P	P	P	P	P	P	P	S	4.14
Recreational Facilities (Indoor/Outdoor)	S	S	S	S	S	S	S	P	P	S	4.15
Recreational Vehicle Park	S	S	S	S	S		P	P			4.16
Riding Stables	P	P	P	P	P		P	P			4.17
Commercial Shooting Ranges, Indoor			P	P	P	P	P	P	P	P	4.18
Commercial Shooting Ranges, Outdoor			P	P	P	P	P	P	P	P	4.19
5. EDUCATIONAL AND INSTITUTIONAL USES											
Adult Day Care Facility	P	P	P	P	P	P	P	P			5.1

USE TYPE	GENERAL USE DISTRICT P=Permitted; S=Special Use Permit										
	R1	R2	R2R	R3	R4	OI	LC	CC	RC	I	SR
<i>Ambulance Services</i>	P	P	P	P	P	P	P	P	P	P	5.2
Cemetery, Family	P	P	P	P	P						5.3
Cemetery/Mausoleum/Columbarium (excluding crematoriums)	P	P	P	P	P	P	P	P	P	S	5.4
<i>Childcare Facility</i>	P	P	P	P	P	P	P	P	P	S	5.5
<i>Club/Lodge</i>	P	P	P	P	P	P	P	P	P	S	5.6
College or University						P		P	P		5.7
<i>Community Club</i>	P	P	P	P	P	P	P	P	P		5.8
Correctional Facilities										S	5.9
<i>Fire and Rescue Station</i>	P	P	P	P	P	P	P	P	P	P	5.10
Funeral Home or Crematorium						P	P	P	P		5.11
Government Offices						P	P	P	P	S	5.12
Homeless Shelter						P		S	P		5.13
Hospital						P		P	P		5.14
<i>Museum/Library/Archive</i>	S	S	S	S	S	P	P	P	P		5.15
<i>Place of Assembly, Large</i>						S	P	P	P	S	5.16
<i>Place of Assembly, Small</i>	S	S	S	S	S	P	P	P	P	S	5.17
<i>Police Station</i>	S	S	S	S	S	P	P	P	P	P	5.18
<i>Religious Institution</i>	P	P	P	P	P	P	P	P	P	S	5.19
<i>School (Home)</i>	P	P	P	P	P	P	P				-
<i>School (Public/Private/Charter)</i>	P	P	P	P	P	P	P	P	P		5.20
<i>Youth Center</i>	S	S	S	S	S	P	P	P	P		5.21
6. BUSINESS, PROFESSIONAL, AND PERSONAL SERVICES											
<i>Animal Shelter</i>							S	S	P		6.1
<i>Automobile and Equipment Service</i>			S	S	S		P	P	P	S	6.2
Automotive Towing									P	S	6.3
<i>Broadcasting and Communications Facilities</i>						P	P	P	P	S	6.4
Car Wash							P	P	P		6.5
Exterminating and Pest Control Services				S	S		P	P	P	S	6.6
<i>Kennel</i>		S	S	S	S		S	S	P		6.7
Motel/Hotel							S	P	P		6.8
Office: Business, Professional and Public			S	P	P	P	P	P	P		6.9
<i>School (Technical, Trade and Business)</i>						P	P	P	P	S	6.10
Theater, Drive-In								P	P		6.11
<i>Urgent Care Clinic</i>	S	S	S	S	S	P	P	P	P		6.12
7. RETAIL TRADE											
<i>Adult Book and Retail Merchandise Store</i>										S	7.1
<i>Adult Theatre and Live Entertainment</i>										S	7.2
Cinema Complex								P	P		7.3
Convenience Store						P	P	P	P	S	7.4
<i>Entertainment Complex</i>									P		7.5
<i>Flea Market</i>									P		7.6
<i>Fuel Oil Distribution and Sales</i>										S	7.7

USE TYPE	GENERAL USE DISTRICT P=Permitted; S=Special Use Permit										
	R1	R2	R2R	R3	R4	OI	LC	CC	RC	I	SR
<i>Landscaping Materials Sales and Storage</i>			S	S	S		S	P	P	S	7.8
Manufactured/Mobile Home Sales									P	S	7.9
Motor Vehicle Sales or Leasing							S	S	P		7.10
<i>Open Air Market</i>	S	S	S	S	S		S	S	P		7.11
Parking Garage or Lot (requiring payment)									P	S	7.12
<i>Produce Stand</i>	P	P	P	P	P	P	P	P	P		7.13
Retail Sales and Services $\leq 50,000$ sq ft (of gross floor area)						P	P	P	P		7.14
Retail Sales and Services $> 50,000 \leq 100,000$ sq ft (of gross floor area)								P	P		7.15
Retail Sales and Services $> 100,000 \leq 150,000$ sq ft (of gross floor area)									P		7.16
Retail Sales and Services $> 150,000$ sq ft (of gross floor area)									S		7.17
<i>Shopping Mall</i>									S		7.18
Truck Stop									S	S	7.19
8. WHOLESALE TRADE											
<i>Wholesale Trade</i>								P	P	S	8.1
9. TRANSPORTATION, WAREHOUSING AND UTILITIES											
<i>Airport (Private)</i>										S	9.1
<i>Airport (Public)</i>										S	9.2
<i>Communication Facilities, Category 1</i>	P	P	P	P	P	P	P	P	P	P	9.3
<i>Communication Facilities, Category 2</i>	P	P	P	P	P	P	P	P	P	P	9.3
<i>Communication Facilities, Category 3</i>										S	9.3
Hazardous Waste Disposal Facilities										S	9.4
<i>Land Clearing Debris and Inert Debris Storage or Disposal</i>			S	S	S					S	9.5
<i>Rail Transportation Facilities and Support Activities</i>										P	9.6
Self-Storage Warehousing			S	S	S	S	S	P	P		9.7
Septic Tank and Related Services				S	S					S	9.8
<i>Solar Energy Generation Facility ≤ 30 acres</i>	S	S	P	P	P	P	P	P	P	P	9.9
<i>Solar Energy Generation Facility > 30 acres</i>			S	S	S	S	S	S	S	S	9.9
Solid Waste Combustors and Incinerators										S	9.10
<i>Solid Waste Facility, County Owned/Operated</i>	P	P	P	P	P	P	P	P	P	P	9.11
<i>Transit and Ground Passenger Transportation</i>								S	S	S	9.12
<i>Truck Terminals</i>										P	9.13
<i>Utility Substation</i>	P	P	P	P	P	P	P	P	P	P	9.14
Warehousing and Storage (Excluding Warehousing of Hazardous Substances)								P	P	P	9.15
<i>Waste Collection and Transfer Facility (Hazardous)</i>										S	9.16

USE TYPE	GENERAL USE DISTRICT P=Permitted; S=Special Use Permit										
	R1	R2	R2R	R3	R4	OI	LC	CC	RC	I	SR
<i>Waste Collection and Transfer Facility (Non-hazardous)</i>	S	S	S	S	S	S	S	S	S	S	9.17
<i>Wastewater Treatment Plant</i>	S	S	S	S	S	S	S	S	S	P	9.18
<i>Water Treatment Plant</i>	S	S	S	S	S	S	S	S	S	P	9.19
10. MANUFACTURING & INDUSTRIAL USES											
<i>Asphalt Plant</i>										S	10.1
<i>Battery Manufacturing Facility</i>										S	10.2
<i>Chip Mill</i>										S	10.3
<i>Concrete Batch Plant</i>										S	10.4
<i>Cryptocurrency Mining Operation(s)</i>										S	10.5
<i>Junkyard</i>										S	10.6
<i>Landfill, Public or Private</i>										S	10.7
<i>Machining and Assembly Operations <10,000 sq ft (of gross floor area)</i>			S	S	S		P	P	P	P	10.8
<i>Machining and Assembly Operations >10,000 sq ft (of gross floor area)</i>										P	10.8
<i>Manufacturing and Production Operations <10,000 sq ft (of gross floor area)</i>			S	S	S		P	P	P	P	10.9
<i>Manufacturing and Production Operations >10,000 sq ft (of gross floor area)</i>										P	10.9
<i>Materials Recovery Facilities (Recycling)</i>										P	10.10
<i>Mining and Extraction Operations, Existing (Prior to 2007)</i>	P	P	P	P	P	P	P	P	P	P	10.11
<i>Mining and Extraction Operations, New (After 2007)</i>										S	10.11
<i>Packaging and Labeling Services</i>										P	10.12
<i>Pesticide, Fertilizer and Other Agricultural Chemical Manufacturing</i>										S	10.13
<i>Product Processing and Storage Facilities</i>										P	10.14
<i>Recycling Centers, Drop-Off Facilities</i>	P	P	P	P	P	P	P	P	P	P	10.15
<i>Research and Development Operations (Hazardous or Biological Materials)</i>										P	10.16
<i>Research and Development Operations (Non-hazardous)</i>							P	P	P	P	10.17
<i>Sawmill</i>				P	P					P	10.18
<i>Slaughterhouse</i>										P	10.19
<i>Truck Wash</i>									P	P	10.20
11. TEMPORARY USES											
<i>Christmas Tree Lot Sales</i>	P	P	P	P	P	P	P	P	P		11.1
<i>Circuses, Carnivals, Fairs, Religious Services (or similar types of events)</i>			S	S	S		P	P	P	P	11.2
<i>Model Home Sales Office, Temporary</i>	P	P	P	P	P	P	P	P	P		11.3
<i>Movie Production</i>	P	P	P	P	P	P	P	P	P	P	-
<i>Portable Sawmill</i>			P	P	P						11.4

USE TYPE	GENERAL USE DISTRICT P=Permitted; S=Special Use Permit										
	R1	R2	R2R	R3	R4	OI	LC	CC	RC	I	SR
Special Events between 250 and 499 persons	P	P	P	P	P	P	P	P	P	P	11.5
Special Events greater than 500 persons	P	P	P	P	P	P	P	P	P	P	11.6
<i>Yard Sale</i>	P	P	P	P	P	P	P	P			11.7
12. TEMPORARY STRUCTURES											
<i>Portable Storage Container</i>	P	P	P	P	P	P	P	P	P	P	12.1
<i>Produce Stand, Temporary</i>	P	P	P	P	P	P	P	P	P	P	12.2
Temporary Construction Project Buildings	P	P	P	P	P	P	P	P	P	P	12.3
Tent Sale							P	P	P	P	12.4
13. AGRICULTURAL USES											
<i>Agriculture</i>	P	P	P	P	P	P	P	P	P	P	-
Food Manufacturing	P	P	P	P	P	P	P	P	P	P	-
<i>Forestry</i>	P	P	P	P	P	P	P	P	P	P	-
<i>Forestry Support Services</i>	P	P	P	P	P	P	P	P	P	P	-
Veterinary Services (livestock)	P	P	P	P	P	P	P	P	P	P	-

Subpart E. Supplemental Requirements to the Table of Permitted and Special Uses

§42-62. Supplemental Requirements to the Table of Permitted and Special Uses

The regulations of this section directly correlate with the Table of Permitted and Special Uses, which contains a column on the far right labeled “SR” for Supplemental Requirements. In any case where a *use* listed in the Table has a number in the SR column opposite the use, the *use* must comply with the additional requirements found in this section.

1. RESIDENTIAL USES

SR 1.1. *Assisted Living Residence*

- (1) Site Plan. Major *Site Plan* required in accordance with §42-330 (Major Site Plan Review).
- (2) Lighting. *Lighting mitigation* required.
- (3) Accessibility. *Roads* shall be maintained for motor/emergency *vehicle* access (in accordance with 10A *NCAC* 13F .0303).
- (4) Certification, Licensure and Permitting. *Certificate of Need* (in accordance with *NCGS* §131E-178) required (where required for the specific facility type by the state).
- (5) Solid Waste Collection. The facility shall provide a suitable method of solid waste disposal and collection consisting of either private collection from individual *uses* or the *use* of dumpsters (installed and/or operated to meet all local and state statutes, ordinances and regulations (including Chapter 95 of the Henderson County Code, *Solid Waste*) and thereafter certified by the Department of Public Health). Where dumpsters are used, Screen Class One (1), Two (2) or Three (3) shall be provided consistent with the requirements of §42-181 (Screen Classification).

SR 1.2. *Bed and Breakfast Inn*

- (1) Site Plan. Major *Site Plan* required in accordance with §42-330 (Major Site Plan Review).
- (2) Certification, Licensure and Permitting. No *person* shall operate a *bed and breakfast inn* who does not possess a valid permit from the Department of Environmental Health and Natural Resources (in accordance with 15A *NCAC* 18A .3002 (a)).
- (3) Size. The total number of guest rooms in a bed-and-breakfast inn shall not exceed 12 (in accordance with *NCGS* §140A-247 (6)).
- (4) Structure. The bed-and-breakfast inn shall contain at least:
 - a. One (1) *bathroom* for every two (2) *bedrooms* (guestrooms) (in accordance with 15A *NCAC* 18A .3009 (a)); and
 - b. One (1) kitchen facility.
- (5) Residential Character. The inn shall be located in a *structure* originally constructed as and adhering to, the standards of a *single-family dwelling*.
- (6) Operations. The inn shall (in accordance with *NCGS* §130A-247 (6)):
 - a. Be the permanent residence of the *owner* and/or manager of the business (or such *owner* and/or manager may live on site in an *accessory structure*);
 - b. Not serve food or drink to the general public for pay;

- c. Serve only the breakfast meal, and that meal served only to overnight guests of the business;
- d. Include the price of breakfast in the room rate; and
- e. Be permitted to contain a *home occupation* and adhere to the additional standards outlined therefore (see SR 2.8 (*Home Occupation, General*))

SR 1.3. Continuing Care Retirement Community

- (1) Site Plan. Major *Site Plan* required in accordance with §42-330 (Major Site Plan Review).
- (2) Operations. Where the *continuing care retirement community* contains a *dwelling(s)*, *nursing home*, *assisted living residence*, or *hospice residential care facility*, these facilities shall adhere to the additional standards outlined for those *uses*.

SR 1.4. Dwelling, Manufactured/Mobile Home (multi-section/singlewide)

- (1) Site Plan. Minor *Site Plan* required in accordance with §42-329 (Minor Site Plan Review).
- (2) Manufactured Home Park. Where three (3) or more *manufactured homes* are desired, this shall be considered a *manufactured home park* and shall adhere to the standards outlined in SR 1.11 (*Manufactured Home Park*).
- (3) *Mobile homes* shall adhere to the following. The movement of pre-1976 *manufactured homes* (hereinafter “*mobile homes*”) into the County shall not be permitted. Pre-1976 *mobile homes* currently located within the County may be installed, moved or relocated provided:
 - a. The *mobile home* is not currently located within a *manufactured home park*;
 - b. Relocation shall only be to an approved *manufactured home park*; and
 - c. A permit has been issued by the *Zoning Administrator* authorizing such installation.

Where the *mobile home* is set up within a *manufactured home park* the *mobile home* may be sold but cannot be relocated and installed elsewhere within the County.

- (4) Any singlewide *manufactured home* which: (1) was manufactured after 1976 (*HUD* approved), (2) has been located in Henderson County prior to the initial adoption of this Chapter (September 19, 2007) and (3) do not meet the appearance criteria provided in this SR 1.4 (Dwelling, Manufactured/Mobile Home) may be moved provided said *manufactured home* is:
 - a. Installed to meet the criteria of Section (5) (subsections e, f, and g only), and
 - b. Moved to either of the following locations:
 - 1. A space in an existing (as of September 19, 2007) *manufactured home park*; or
 - 2. A *lot* in the R2R, R3, or R4 zoning district which permits the placement of new singlewide *manufactured homes*.
- (5) All singlewide *manufactured/mobile homes* shall:
 - a. Have a length which does not exceed five (5) times the width, (excluding *additions*);
 - b. Have a width of at least 14 feet;

- c. Have a roof pitch with a minimum vertical rise of three (3) feet for each 12 feet of horizontal run. The roof shall be finished with a type of shingle that is commonly used in standard residential construction;
- d. Have exterior siding which consists predominantly of vinyl or aluminum lap siding whose reflectivity does not exceed that of flat white paint; or wood or hardboard, comparable in composition, appearance, and durability to the exterior siding commonly used in standard residential construction;
- e. Be placed on the *lot* in harmony with the existing neighboring site-built *structures*. Where no neighboring *structures* are available for comparison, the *manufactured home* shall be sited with the front running parallel to the *road* providing access to the site. On corner *lots* the side with the greatest *road frontage* shall be considered the front. On cul-de-sacs the home shall be sited with the front running parallel to the *road* access;
- f. Have the towing tongue removed upon final placement of the unit; and
- g. Have underpinning, deck/porch and permanent steps in accordance with the following. Underpinning shall be:
 - 1. Provided along the entire perimeter of each home from the ground to the bottom of the *structure*;
 - 2. Comprised of material manufactured for this purpose in accordance with standards set by the state regulations for *manufactured/mobile homes*. Commonly recognized *building* materials suitable for *use* as underpinning shall include but not be limited to the following: brick, concrete block; natural or synthetic stone masonry; or masonite or vinyl siding. Assemblies, products and materials manufactured expressly for the purpose of underpinning shall be installed in accordance with the manufacturer's specifications; and
 - 3. Vented in accordance with the state regulations for *manufactured/mobile homes*.

Deck(s) or porch(es) shall be:

- 1. Provided steps;
- 2. Located in the front of the home;
- 3. A minimum of 36 square feet where over 36 square feet and where over 36 square feet, it must meet volume VII of the state residential building code; and
- 4. Installed and constructed in accordance with the standards set by the state regulations for *manufactured/mobile homes* or, when applicable, volume VII of the state residential building code.

Steps shall be installed and constructed in accordance with the standards set by the state regulations for *manufactured/mobile homes* or, when applicable, volume VII of the state residential building code.

(6) All doublewide and multi-sectioned *manufactured homes* shall:

- a. Have a length not exceeding four (4) times the *building* width;
- b. A main roof pitch with a minimum rise of four (4) feet for each twelve (12) feet of horizontal run. The roof shall be finished with a type of shingle that is commonly used in standard residential construction;

- c. Have exterior siding which consists predominantly of vinyl or aluminum lap siding whose reflectivity does not exceed that of flat white paint; or wood or hardboard, comparable in composition, appearance and durability to the exterior siding commonly used in standard residential construction;
- d. Be placed on the *lot* in harmony with the existing site-built *structures*. Where no neighboring *structures* are available for comparison, it shall be sited with the front running parallel to the *road* providing access to the site. On corner *lots* the side with the greatest *road frontage* shall be considered the front. On cul-de-sacs the home shall be sited with the front of the home being parallel to the *road* access;
- e. The towing tongue shall be removed upon final placement of the unit; and
- f. Have a foundation, underpinning, deck/porch, and permanent steps in accordance with the following. Foundations shall be brick, concrete block or other masonry foundation. Underpinning shall be:
 - 1. Commonly recognized masonry *building* materials suitable for *use* as underpinning which shall include the following: brick, concrete block with stucco; or natural or synthetic stone masonry. Vinyl siding or metal underpinning shall not be allowed. Assemblies, products and materials manufactured expressly for the purpose of underpinning shall be installed in accordance with the manufacturers' specifications; and
 - 2. Continuous and unpierced except for ventilation as required by the state regulations for *manufactured/mobile homes*;

Decks or porches shall be:

- 1. Provided steps;
- 2. Located in front of the home;
- 3. A minimum of 36 square feet and, where larger than 36 square feet, it must meet Volume VII of the state residential building code;
- 4. Supported by a foundation constructed of materials compatible with the underpinning on the outer perimeter of the foundation; and
- 5. Installed and constructed in accordance with the standards set by the state regulations for *manufactured/mobile homes* or, when applicable, Volume VII of the state residential building code.

Steps shall be installed and constructed in accordance with the standards set by the state regulations for *manufactured/mobile homes* or, when applicable, Volume VII of the state residential building code.

- (7) A *manufactured/mobile home* shall be setup in accordance with the standards set by the North Carolina Department of Insurance Regulations for *manufactured/mobile homes*.
- (8) A *manufactured/mobile home* shall not be used as a storage unit and shall only be occupied as a dwelling.

SR 1.5. Dwelling, Multifamily

- (1) Site Plan. Major *Site Plan* required in accordance with §42-330 (Major Site Plan Review).
- (2) Subdivision. Multifamily dwellings may be allowed as part of a subdivision provided that a *Special Use Permit* for the multifamily development is approved in conjunction

- with the required subdivision approval. If part of an approved subdivision, the individual dwelling units must be deeded and recorded.
- (3) Permitted Units Per Building. In the *Residential 2 Rural* (R2R) and *Residential Two* (R2) *zoning districts*, no more than three (3) dwelling units shall be contained within a single *building* or *structure*.
 - (4) Multifamily dwellings of five (5) or more units:
 - a. May be developed in *phases*.
 - b. Shall have a minimum spacing between *buildings* of 20 feet, with an additional one (1) foot of separation for each one (1) foot of *building* height in excess of 30 feet.
 - c. Shall have a maximum *building* length of 150 feet.
 - d. May increase the building height to 50 feet where a B1 *Buffer* is provided as detailed in §42-167 (Buffer Determination).
 - e. Shall adhere to the *road* standards required for a *major subdivision* in accordance with Article III, Subdivision Regulations, and shall be organized:
 1. To provide increased internal mobility;
 2. To provide safe and convenient access;
 3. In intersecting/grid patterns where possible; and
 4. Without cul-de-sacs (except where topographical considerations/restrictions are submitted by the *applicant*).
 - f. Shall have subsurface utilities.
 - g. Shall have a *perimeter setback* of one hundred (100) feet in residential zoning districts including the *Local Commercial* (LC) *zoning district*.
 - (5) Where a multifamily development is located along any *road* with current public transit access and such public transit authority approves the addition of a stop, such development shall provide a minimum of one (1) public transit access shelter for the *use* of occupants/patrons.
 - (6) Solid Waste Collection. Solid waste collection systems must be installed and/or operated to meet all local and state statutes, ordinances and regulations and shall thereafter be certified by the Department of Public Health. Each development shall provide a suitable method of solid waste disposal (in accordance with Chapter 95 of the Henderson County Code, *Solid Waste*) and collection consisting of either private collection from individual *uses* or the *use* of dumpsters. Where dumpsters are used concrete pads shall be designed to drain to a bio-retention area to filter *stormwater* before the water reaches a larger drainage system, and Screen Class One (1), Two (2), or Three (3) shall be provided consistent with the requirements of §42-181 (Screen Classification).
 - (7) Open Space. *Open space* shall be provided in perpetuity (perpetual *easements* or deed restrictions are required) equivalent to 25 percent of all lands within the development. This designated *open space* area shall not:
 - a. Include more than 50 percent in primary conservation areas; and
 - b. Be composed entirely of secondary conservation areas.
 - (8) Common Area Requirements. A *common area* shall be provided that is equivalent to 10 percent of the total area. *Common area* shall be accessible for the *use* and enjoyment of the multifamily occupants/patrons, located as to be free of traffic hazards and maintained in good condition by the *applicant*.

- (9) Other Requirements. Due to the comprehensive nature of a multifamily project, there are several sections that must be consulted. Please refer to the following sections for more information on each facet of a multifamily project.
- a. See Article III for road design and construction standards, pedestrian facility standards, water and sewer requirements, and fire protection.
 - b. See Article IV for traffic impact study and emergency services impact report requirements.
 - c. See Article V for landscaping and buffering requirements.
 - d. See Article VI for off-street parking and loading requirements.
 - e. See §42-62 (Supplemental Requirements) for each land use.
 - f. See Article VII for sign requirements.
 - g. See Article XI for permitting procedures.
- (10) Neighborhood Compatibility Meeting. A neighborhood compatibility meeting is required when one hundred (100) or more units are proposed. See §42.372 Neighborhood Compatibility Meeting.

SR 1.6. Dwelling, Single-Family Detached

- (1) Site Plan. Minor *Site Plan* required in accordance with §42-329 (Minor Site Plan Review).

SR 1.7. Dwelling, Two Family Attached

- (1) Site Plan. Minor *Site Plan* required in accordance with §42-329 (Minor Site Plan Review).
- (2) Multifamily Development. Where more than two (2) dwelling units is desired, this shall be considered a multifamily development which requires a *Special Use Permit* and shall adhere to the standards outlined in SR 1.5 (Dwelling, Multifamily).
- (3) Subdivision. A two family attached dwelling may be allowed as part of a subdivision provided that a *Special Use Permit* for the multifamily development is approved in conjunction with the required subdivision approval. If part of an approved subdivision, the individual dwelling units must be deeded and recorded.

SR 1.8. Family Care Home

- (1) Location. No new *family care home* (which includes, but is not limited to *adult care homes, hospice residential care facilities, or nursing homes* with two (2) to six (6) residents) shall be located within a one-half (½) mile radius of an existing *family care home* (see above) or homeless shelter (in accordance with *NCGS* §168-22).
- (2) Size. A *family care home* shall house a minimum of two (2) and a maximum of six (6) residents (in accordance with *NCGS* §160D-907(b)(1)).
- (3) Operations. Where the *family care home* is a *nursing home* or *hospice residential care facility*, these facilities shall adhere to the additional standards outlined for those *uses*.

SR 1.9. Fraternity and/or Sorority Houses

- (1) Site Plan. Major *Site Plan* required in accordance with §42-330 (Major Site Plan Review).

- (2) Location. The fraternity or sorority house shall be permitted on a property abutting, with primary access to, or within one (1) mile of the college or university with which it is affiliated.
- (3) Residential Character. The fraternity or sorority house shall be located in a *structure* originally constructed as, or easily converted to, a *single-family dwelling*.

SR 1.10. Hospice Residential Care Facility

- (1) Site Plan. Major *Site Plan* required in accordance with §42-330 (Major Site Plan Review).
- (2) Lighting. *Lighting mitigation* required.
- (3) Certification, Licensure and Permitting. *Certificate of Need* (in accordance with NCGS §131E-178) required.
- (4) Accessibility. *Roads* shall be maintained for motor/emergency *vehicle* access (in accordance with 10A NCAC 13F .0303).
- (5) Solid Waste Collection. The facility shall provide a suitable method of solid waste disposal and collection consisting of either private collection from individual *uses* or the *use* of dumpsters (installed and/or operated to meet all local and state statutes, ordinances and regulations (including Chapter 95 of the Henderson County Code, Solid Waste) and thereafter certified by the Department of Public Health). Where dumpsters are used, Screen Class One (1), Two (2) or Three (3) shall be provided consistent with the requirements of §42-181 (Screen Classification).

SR 1.11. Manufactured Home Park

- (1) Site Plan. A *Manufactured home park site plan* shall be required in accordance with §42-328 (Manufactured Home Park Site Plan Review).
- (2) Establishing a Manufactured Home Park. Three (3) or more *manufactured homes* and/or *manufactured home* spaces on a *tract* shall be considered an *MHP*. Each *applicant* for an *MHP* shall choose a name for the *MHP* which shall not be substantially identical or so similar as to likely cause confusion among prospective residents to any other *MHP* or named community in Henderson County. An *MHP site plan* shall contain certification that the public records of Henderson County have been searched and the proposed *MHP* name meets the standards set forth in this Chapter. Single and doublewides are permitted as long as it is permitted in the *use district*.
- (3) Phasing. *Manufactured home parks* may be developed in *phases* of at least three (3) spaces, except where less than three (3) spaces remain to be developed on a *tract*.
- (4) Accessibility Requirements. A *MHP* shall be accessible by:
 - a. A minimum of 30 feet in *public road frontage*; or
 - b. A private *right-of-way* corridor (see Road Construction Standards) to the property measuring 30 feet in width at its narrowest point.

In no case shall a manufactured home space have direct access to a *road* outside the *MHP* except through those *roads* indicated on the *MHP Site Plan*.
- (5) Road Construction Standards. *Roads* shall be the responsibility of the *MHP applicant*. *Road* construction standards shall be determined by road classification as noted in Table 2.17.

Table 2.17. Manufactured Home Park Road Construction Standards						
Requirements		Private Road Classification ¹				
		MHP Private ROW Corridor		MHP Collector	MHP Service	Driveway
Number of Spaces Served ²		25+	1-24	25+	1-24	1-3
Maximum Grade %	Paved Surface	16	18	16	18	-
	Stone Surface	12	12	12	12	-
Minimum Road Width (ft.)		20	20	18	18	10
Shoulder (ft.)		4	4	4	4	-
Stone Base (in.)	(ABC) Compacted ³	8	6	8	6	6
	Crushed Stone ⁴	-	-	-	-	3
Cut and Fill Slope		2:1	1.5:1	2:1	1.5:1	-
Ditch Slope		4:1	3:1	4:1	3:1	-
Vertical Clearance (ft.) ⁵		13.5	13.5	13.5	13.5	-

1 Road Classification applicable within MHPs (MHP collector/service) shall not to be confused with Access Management Road Classifications. For purposes of *setbacks*, access management road classifications shall be used.

2 The number of spaces served shall be determined by the number of *manufactured home* spaces located on the *road* or by a *driveway* connected to the *road*.

3 Aggregate Base Course, No. 7 stone.

4 On well-compacted sub-base.

5 Established to allow for the passage of emergency *vehicles*.

a. *Roads* shall be constructed:

1. As *internal roads*;
2. Along the contour of the land (where possible);
3. Where the subgrade of a soil is capable of supporting the *road* above;
4. Using suitable stone which is properly compacted;
5. So that water will drain from the *road* surface into the side ditches; and
6. So that, where paved *road* sections meet stone-based *road* sections, such paved *road* shall extend 50 feet from any point where the grade exceeds the maximum for a stone-based *road*.

b. *Roads* shall be provided with appropriate drainage facilities that shall be constructed:

1. In accordance with minimum *State Road Standards*;
2. With ditches which have sufficient depth and width to carry the expected volume of *stormwater runoff* (ditches should utilize *Best Management Practices* for *road* swales (such as turf matting and vegetation) to control *erosion* and *sedimentation*, and to filter pollutants from *stormwater runoff*); and
3. So that, where culverts are required for streams or minor *watercourses*, such culvert construction adheres to minimum *State Road Standards*.

c. *Roads* which serve ten (10) or more spaces, where intersecting roadways to facilitate emergency *vehicles* are not possible, shall be provided with culs-de-sac or turnarounds that shall be constructed:

1. With a minimum 35 foot radius; and
2. Using the same material required on the *road* of which it is part.

(6) Parking Requirements. Parking shall be:

- a. Provided at a rate of two (2) parking spaces per manufactured home space;
 - b. In the form of off-street or apron parking; and
 - c. Constructed using a minimum of three (3) inches of crushed stone on a well-compacted subbase, or six (6) inches of ABC compacted stone. Permeable paving or other paving alternatives are encouraged.
- (7) Sewer and Water Service Provision Requirements. The approval and installation of all *sewage disposal system* and *water supply system* improvements shall be in accordance with this Chapter. *Water supply systems* and *sewage disposal systems* must be installed and/or operated to meet all local and state statutes, ordinances and regulations and shall thereafter be certified by the Department of Public Health. The following shall apply:
- a. Water. Each *manufactured/mobile home* in an *MHP* shall be supplied water from either an approved *municipal water supply system* or *public water supply system*. Individual water wells shall not be permitted in an *MHP*. An *MHP* shall connect to a *municipal water supply system* when the system is located within a distance equal to the product of 100 feet multiplied by the number of spaces proposed for the *MHP*. If an *MHP* is located more than 5,000 feet from an existing *municipal water supply system*, such connection shall not be required.
 - b. Sewage. Each *manufactured/mobile home* in an *MHP* shall be supplied with a hookup to a septic tank, *approved public or community sewage disposal system* or *municipal sewage disposal system*. An *MHP* shall connect to a *municipal sewage disposal system* when the system is located within a distance equal to the product of 50 feet multiplied by the number of spaces proposed for the *park*. If a *park* is located more than 2,500 feet from an existing municipal sewage disposal system, such connection shall not be required.
 - c. Exceptions to Municipal Water and Sewage Disposal System Connection Requirements. Exceptions may be allowed on the basis of terrain, availability or ease of acquiring *easements*, denial of allocation by the public utility, insufficient capacity of the municipal system or other circumstances that are unusual/unique to the site. Requests for exceptions must be made, in writing, to the *MHP Administrator* who may ask that such requests be supported by a professional engineer's review of the *manufactured home park* plans and planned route of the utility extension. Where the *MHP Administrator* finds it would not be economically feasible for an *MHP* to be connected to a *municipal water supply system* and/or *municipal sewage disposal system*, other systems may be used, subject to approval by Environmental Health and the appropriate state agencies.
- (8) Electrical System Requirements. The approval and installation of all electrical system improvements shall be in accordance with this Chapter. Electrical systems shall be installed to meet all local and state statutes, ordinances, regulations and applicable codes and shall thereafter be certified by the Building Inspector. Each *manufactured/mobile home* space in an *MHP* shall be provided with its own separate metered electrical service.

- (9) Solid Waste Collection System Requirements. The approval and installation of all solid waste collection improvements shall be in accordance with this Chapter. Solid waste collection systems must be installed and/or operated to meet all local and state statutes, ordinances and regulations and shall thereafter be certified by the Department of Public Health. Each *MHP* shall provide a suitable method of solid waste disposal (in accordance with Chapter 95 of the Henderson County Code, *Solid Waste*) and collection consisting of either private collection from individual *manufactured/mobile homes* or the *use* of dumpsters. Where dumpsters are used, concrete pads shall be designed to drain to a bio-retention area to filter *stormwater* before the water reaches a larger drainage system, and Screen Class One (1), Two (2) or Three (3) shall be provided consistent with the requirements of §42-181 (Screen Classification).
- (10) Fire Protection Requirements. Any *MHP* served by a *public water supply system* shall meet the County's requirements for fire hydrant installation (one (1) hydrant every 1000 feet with a six (6) inch line) or applicable municipality's requirements for fire hydrant installation. For any *MHP* without a fire suppression rated water system, that either has or is adjacent to an adequate permanent surface water supply (100,000 gallon storage in a 50 year drought), the *applicant* shall be required to install a dry fire hydrant system, the type and location of which is to be determined by the County Fire Marshal. An all-weather access road for fire-fighting equipment shall be provided by the *applicant* to this permanent surface water supply. Where the *MHP* is neither served by a *public water supply system* nor has/is adjacent to an adequate permanent surface water supply, such *MHP* shall be thoroughly reviewed by the *TRC* and the *applicant* to determine alternative measures to ensure adequacy of *fire protection*.
- (11) Stormwater Drainage, Erosion and Sedimentation Control Requirements. See Article VIII (Natural Resources) Subpart B (Water Quality) and Subpart E (Soil Erosion and Sedimentation Control).
- (12) Buffering. An *MHP* shall require a minimum of a B1 Buffer as detailed in §42-167 (Buffer Determination).
- (13) Common Area Requirements. A *common area* shall be provided, that is equivalent to ten (10) percent the total *MHP* area. *Common area* shall be accessible for the *use* and enjoyment of *MHP* occupants, located as to be free of traffic hazards and maintained in good condition by the *applicant*.
- (14) Common Area Recreation and Service Facilities Restrictions. Those facilities within the *MHP* shall be for the sole purpose of serving the residents of the *MHP* and shall adhere to the development standards established therefore.
- (15) Operations. The *MHP* shall be permitted one (1) space for the placement of an office (located in a *structure* originally constructed as a *single-family dwelling (manufactured, modular or conventionally built)*) to conduct the business of operating the *MHP*. This office may also be located within one (1) *single-family dwelling (manufactured, modular or conventionally built)* where it operates as a *home occupation* and adheres to the standards outlined therefore (see SR 2.8 (*Home Occupation, General*))

- (16) Density. The number of *manufactured/mobile homes* shall be based upon the standard *residential density* of the corresponding overlay district, where one (1) *dwelling unit* shall correspond to one (1) *manufactured/mobile home*.
- (17) Manufactured Home Spaces. Manufactured home spaces shall be:
- a. Sized so as to ensure that *manufactured/mobile homes* shall meet all *setback* and separation requirements for a *manufactured/mobile home* to be placed on said space;
 - b. Prepared and graded so that there is a *slope* of no more than three (3) percent where the home is to be placed;
 - c. Required to contain one (1) concrete pad (porous concrete is encouraged) or treated deck, a minimum of 100 square feet, that shall be accessible at a door location of any *manufactured/mobile home* placed thereon;
 - d. Required to contain a well-constructed set of steps, made of a material other than loosely stacked brick or block, that shall be accessible at a door location of any *manufactured/mobile home* placed thereon, and which may be a part of/connected to the required pad or deck;
 - e. Assigned a property address as approved by the Property Addressing Office;
 - f. Identifiable by a permanent number, visible from the *road* or drive, to identify the space; and
 - g. Clearly marked at all corners so that visual establishments of boundaries can be made during inspection/approval processes.
- (18) Manufactured Home Dwelling Age. The movement of pre-1976 *manufactured homes* (hereinafter “*mobile homes*”) into the County shall not be permitted. Pre-1976 *mobile homes* currently located within the County may be installed, moved or relocated provided:
- a. The *mobile home* is not currently located within an *MHP*;
 - b. Relocation shall only be to an approved *manufactured home park*; and
 - c. A permit has been issued by the *Zoning Administrator* authorizing such installation.
- Where the *mobile home* is set up within a *manufactured home park* the *mobile home* may be sold and can be relocated within an existing *manufactured home park*.
- (19) Percentage of Manufactured Home Park in Mobile Homes. No more than 25 percent of spaces in a new *MHP* shall be occupied by *mobile homes*, as defined by this Chapter.
- (20) Manufactured/Mobile Home Use. A *manufactured/mobile home* shall not be used as a storage unit, and shall only be occupied as a dwelling (or office as permitted herein).
- (21) Manufactured/Mobile Home Setup. Each *manufactured/mobile home* shall be installed, placed and setup:
- a. On an approved manufactured home space;
 - b. In accordance with the standards set by the North Carolina Department of Insurance Regulations for *manufactured/mobile homes*;
 - c. So as to be separated from any other *manufactured/mobile home* a minimum of 20 feet short end to short end, 30 feet short end to long end and/or 30 feet long end to long end;
 - d. So as to be *setback* (as required) from any adjacent *roads*;

- e. So as to be *setback* a minimum of 25 feet from any adjacent property;
- f. With (at the time of placement) continuous underpinning, uniform in appearance in terms of its type, color, size and age, unpierced except for openings required by the North Carolina State Building Code or North Carolina Department of Insurance Regulations for ventilation, utilities and access; and
- g. With a property address number (as assigned by the Property Addressing Office) affixed so as to be clearly visible from the *internal road/driveway* serving the manufactured home space (in accordance with Chapter 142 of the Henderson County Code, *Property Addressing*).

(22) Signage. *Signs* shall adhere to all standards outlined in Article VII of this Chapter.

The *applicant* for an *MHP* shall provide:

- a. A minimum of one (1) *community identification sign* at each entrance, but no more than two (2) entrances, a minimum of one (1) foot in height by three (3) feet in width;
- b. *Road name signs* in accordance with Chapter 142 of the Henderson County Code, *Property Addressing*; and
- c. *Governmental signs* of a regulatory nature (including “stop” signs) in accordance with applicable local and state policies.

(23) Lighting. *Lighting mitigation* required.

SR 1.12. Nursing Home

- (1) Site Plan. Major *Site Plan* required in accordance with §42-330 (Major Site Plan Review).
- (2) Lighting. *Lighting mitigation* required.
- (3) Certification, Licensure and Permitting. *Certificate of Need* (in accordance with NCGS §131E-178) required.
- (4) Accessibility. *Roads* shall be maintained for motor/emergency *vehicle* access (in accordance with 10A NCAC 13F .0303).
- (5) Solid Waste Collection. The facility shall provide a suitable method of solid waste disposal and collection consisting of either private collection from individual *uses* or the *use* of dumpsters (installed and/or operated to meet all local and state statutes, ordinances and regulations (including Chapter 95 of the Henderson County Code, Solid Waste) and thereafter certified by the Department of Public Health). Where dumpsters are used, Screen Class One (1), Two (2) or Three (3) shall be provided consistent with the requirements of §42-181 (Screen Classification).

SR 1.13. Personal Storage Structure

- (1) Any lot may have personal storage structures.
- (2) A personal storage structure may include bathroom facilities and kitchen facilities, and shall not be used as a residence or for the purpose of operating a business.
- (3) Personal storage structures shall only be for personal, noncommercial use.
- (4) The use may be setback a minimum of five (5) feet from the side or rear property lines and ten (10) feet from the front or Right of Way (ROW).

SR 1.14 Rooming and Boardinghouse

- (5) Site Plan. Major *Site Plan* required in accordance with §42-330 (Major Site Plan Review).
- (6) Lighting. *Lighting mitigation* required.
- (7) Development Size Restrictions. The total number of *bedrooms* in a *rooming and boardinghouse* shall not exceed 12.
- (8) Structure. The *rooming and boardinghouse* shall contain:
 - a. One (1) *bathroom* for every two (2) *bedrooms*;
 - b. One (1) kitchen facility; and
 - c. Not over 75 percent of the heated *floor area* in use for sleeping quarters.
- (9) Residential Character. The *rooming and boardinghouse* shall be located in a *structure* originally constructed as and adhering to the standards of a *single-family dwelling*.
- (10) Operations. The *rooming and boardinghouse* shall be:
 - a. The permanent residence of the *owner* or the manager of the business; and
 - b. Permitted to contain *home occupations* and adhere to the additional standards outlined therefore (see SR 2.8 (*Home Occupation, General*)).

2. ACCESSORY USES

SR 2.1. Childcare Facility (as an accessory use for a principal business) (A *childcare facility* as an *accessory use* shall adhere to the standards outlined for *childcare facility* as a *principal use* (see SR 5.5 (*Childcare Facility*)).

- (1) Operations. A minimum of 60 percent of the children served by the facility shall be of a parent, legal guardian or grandparent serving as an on-site *owner/employee* of the principal business.

SR 2.2. Drive-Thru Window

- (1) Maximum Number Permitted Per Lot. Two (2) per business, three (3) per restaurant and/or five (5) per financial institution.
- (2) Structure Orientation. The drive-thru window, any communications equipment and menu *signs* shall be located so as not to be seen from any adjacent *residential zoning district* property.
- (3) Stacking Lanes. Stacking lanes shall:
 - a. Be a minimum of 100 feet in length (where window access is provided directly from a *road* of low volume);
 - b. Be distinctly marked (striping, pavement markings, parking islands, etc.);
 - c. Be separate from a passage lane (located to the outer edge of the stacking lane); and
 - d. Not placed within 75 feet of an existing *dwelling unit* (located in a *residential zoning district* and not located on the same property as the *use*).
- (4) Passage Lanes. Passage lanes shall be provided to the outer edge of the stacking lane to ensure the adequate flow of traffic on the site.
- (5) Landscaping Standards. Drive-thru windows, stacking lanes and circulation areas shall be treated as components of on-site parking for the purposes of landscaping requirements.

SR 2.3. Dumpster(s)

- (1) Associated Principal Use. Dumpsters are allowed as an accessory use to a non-residential or multi-family residential use.
- (2) Operations. The use of dumpsters shall be installed and/or operated to meet all local and state statutes, ordinances and regulations (including Chapter 95 of the Henderson County Code, Solid Waste).
- (3) Screening. Screen Class One (1), Two (2) or Three (3) shall be provided consistent with the requirements of §42-181 (Screen Classification).
- (4) Temporary Dumpsters. Temporary dumpsters may be used for single-family residential uses up to 12 months. A 12 month extension is permitted if construction is not complete. All other residential and non-residential uses, including multi-family dwellings, may use temporary dumpsters for up to 24 months. A 12 month extension may be permitted if construction is not complete. Screening is not required for temporary dumpsters.

SR 2.4. Dwelling, Single-Family (as an accessory use for the principal business)

- (1) Maximum Number Permitted Per Lot. One (1) per business.
- (2) Structure Requirements. The *single-family dwelling* shall be attached to or contained within the principal *building*.
- (3) Open Space. The site shall provide an area of *open space* equivalent to the *floor area* of the *single-family dwelling*, and located on the same *lot* as the *principal use*.
- (4) Locational Requirements. The residential unit shall not be located on the front of the *principal structure* except where the *structure* is constructed in the manner of a principal business.
- (5) Operations. The *single-family dwelling* shall be occupied by the *person* engaged in the *principal use* (*owner/employee/agent* and/or his/her family member(s)).

SR 2.5. Fuel Pumps

- (1) Structure Requirements. Fuel pumps may be covered by a canopy which shall not exceed 25 feet in height.
- (2) Separation Requirements. Fuel pumps shall not be placed within 100 feet of an existing *dwelling unit* (located in a *residential zoning district* and not located on the same property as the *use*), *school*, *library*, day care facility, healthcare facility, *park*, and/or *religious institution*.
- (3) Location of Drives. *Driveways* shall not be located closer than 50 feet to one another and no more than two (2) on a single *road*.

SR 2.6. Home Occupation, Adult Day Care. A *home occupation adult day care* shall adhere to standards for a *general home occupation*.

- (1) Certification, Licensure and Permitting. All adult day care homes shall be issued a certificate by the Division of Aging.
- (2) Size of Operations. An adult day care home shall house a maximum of six (6) residents.
- (3) Structure Residential Character Requirements. An adult day care home shall be located in a *structure* originally constructed as and adhering to the standards of a *single-family dwelling*.

- (4) Structure Requirements. An *adult day care facility* shall (in accordance with *NCAC 10A 06R.0401-.0701* and *06S.0301*):
 - a. Provide a minimum of 40 square feet of indoor space (excluding hallways, offices and restrooms) for each participant;
 - b. Provide a minimum of one (1) toilet for each 12 adults (participants and staff) in attendance at the facility;
 - c. Provide a minimum of one (1) hand lavatory for each two (2) toilets; and
 - d. Be located in a one-story *building* (OR) be located in a two-story *building* provided neither story is greater than 1,800 square feet.

SR 2.7. Home Occupation, Childcare Facility. A *home occupation (childcare)* shall adhere to standards for a *general home occupation*.

- (1) Certification, Licensure and Permitting. All *childcare* facilities shall be licensed as required by *NCGS §110-91*.
- (2) Development Size Restrictions. A *childcare facility* operated in a *structure* occupied by the *owner/operator* shall serve a maximum of (in accordance with *NCAC 10 09 .1304*):
 - a. Twelve (12) children when any preschool-aged children are in care; or
 - b. Fifteen (15) children when only school-aged children are in care.
- (3) Structure Residential Character Requirements. The *childcare* home shall be located in a *structure* originally constructed as and adhering to the standards of a *single-family dwelling*.
- (4) Structure Requirements. A *childcare facility* shall provide a minimum of:
 - a. Twenty-five (25) square feet of indoor space (excluding closets, hallways, kitchens and restrooms) for each child; and
 - b. Seventy five (75) square feet of outdoor play area for each child, surrounded by a fence at least four (4) feet in height.

SR 2.8. Home Occupation, General

- (1) Site Plan. A *home occupation* shall require the submittal of a minor *site plan* only if the *home occupation* requires the:
 - a. Building of an *accessory structure* to house the occupation;
 - b. Building of outdoor play areas as required for in-home *childcare facilities*;
 - c. Placement of additional parking; and/or
 - d. Need for *outdoor storage*.
- (2) Development Size Restrictions. A *home occupation* shall either:
 - a. Take up no more than 25 percent of the *gross floor area* of the principal dwelling; or
 - b. Be housed completely in one (1) *accessory structure* (with the exception of any *outdoor storage* requirements).
- (3) Retention of Residential Character. A *home occupation* shall be:
 - a. Conducted entirely within the principal dwelling or one (1) *accessory structure*; and
 - b. Clearly incidental and secondary to the *use* of the dwelling or *structure* for residential purposes.
- (4) Operations. A *home occupation* shall:
 - a. Be conducted by a resident of the principal dwelling;

- b. Engage no more than two (2) on-site employees (other than those residing in the home) in the occupation;
 - c. Not incorporate on-premise retail sales as the primary function of the *home occupation*; and
 - d. Not involve equipment or processes used that shall create noise, vibration, glare, fumes, odor or electrical interference off the premises.
- (5) Parking. A *home occupation* generating any additional need for parking shall:
- a. Meet any additional parking needs off-street (but not in the required *front yard*); and
 - b. Be permitted a maximum of two (2) additional standard parking spaces and one (1) handicapped parking space.
- (6) Outdoor Storage. A *home occupation* which requires *outdoor storage* shall:
- a. Identify the storage requirements at the time of permit application;
 - b. Locate the storage in the *rear yard* (not in the *front* or *side yard*);
 - c. Cover no more than 10 percent of the property on which the *home occupation* is located with *outdoor storage*; and
 - d. Adhere to any additional standards for *outdoor storage*.

SR 2.9. Outdoor Storage 5,000 square feet or less

- (1) Locational Requirements. Storage areas shall not be placed in a *front yard*.
- (2) Screening. Screen Class One (1) or Two (2) shall be provided consistent with the requirements of §42-181 (Screen Classification).

SR 2.10. Outdoor Storage greater than 5,000 square feet

- (1) Locational Requirements. Storage areas shall not be placed in a *front yard*.
- (2) Screening. Screen Class Three (3) or Four (4) shall be provided consistent with the requirements of §42-181 (Screen Classification).

SR 2.11. Rural Family Occupation

- (1) Site Plan. A *rural family occupation* shall require the submittal of a minor *site plan* where the *rural family occupation* requires:
 - a. The building of an *accessory structure*(s) to house the occupation;
 - b. The placement of additional parking; and/or
 - c. The need for *outdoor storage*.
- (2) Development Size Restrictions. A *rural family occupation* shall be housed completely in no more than two (2) *accessory structures*. The total *floor area* of all *structures* occupied by the *rural family occupation* shall not exceed 5,000 square feet.
- (3) Retention of Residential Character. A *rural family occupation* shall be incidental and secondary to the *use* of the property for residential and agricultural purposes.
- (4) Operations. A *rural family occupation* shall:
 - a. Be conducted by a resident of the principal dwelling;
 - b. Engage no more than ten (10) on-site employees (other than those residing in the home) in the occupation; and
 - c. Not involve equipment or processes used that shall create noise, vibration, glare, fumes, odor or electrical interference off premises.

- (5) Parking. A *rural family occupation* generating any additional need for parking shall be permitted a maximum of ten (10) additional standard parking spaces and two (2) handicapped parking spaces.
- (6) Outdoor Storage. A *rural family occupation* which requires *outdoor storage* shall:
 - a. Identify the storage requirements at the time of permit application;
 - b. Cover no more than the lesser of ten (10) percent of the property or 10,000 square feet, with *outdoor storage*; and
 - c. Adhere to any additional standards for *outdoor storage*.

SR 2.12. Solar Panels

- (1) Location. Panels:
 - a. May be placed on the roof of a residential, commercial or industrial *structure*;
 - b. Shall be placed on the *lot* on which a *structure* is located;
 - c. Shall be designed to produce no more than 150 percent of the on site use’s energy consumption.
 - d. *Special Flood Hazard Area*. Only solar collectors may be located within the 100-year and 500-year *floodplain*, and only with an approved Floodplain Development Permit.

3. ACCESSORY STRUCTURES

SR 3.1. Airport (Private Accessory). (See SR 9.1 (*Airport (Private)*)).

SR 3.2. Automatic Teller Machine

- (1) Setbacks. An automatic teller machine shall be permitted in the *front yard setback*; however, no automatic teller machine shall be permitted closer than 20 feet to any *residential zoning district* property.
- (2) Additional Height Restrictions. No freestanding automatic teller machine shall have a *structure* height which exceeds 15 feet.
- (3) Lighting. *Adequate lighting* shall be provided for automatic teller machines during all hours of operation.

SR 3.3. Boathouse, Private

- (1) Water Dependent Structure Standards. *Water dependent structures* may extend over the water for a distance of no more than forty (40) feet from the shore as measured from *mean sea level* elevation (for rivers) and *full pond elevation* (for lakes). In no event shall a *water dependent structure*, when located in a cove or river, extend more than one-third (1/3) the width of the cove or river measured from the shore (as measured from *mean sea level* elevation (for rivers) and *full pond elevation* (for lakes)) at the point of the proposed construction to the nearest point on the opposite shore. The *water dependent structure* shall extend into the water so as to remain confined within a projection of *side lot lines* of the *lot* on which the *structure* is accessed. Where there is conflict between this and Article VIII (Natural Resources), Subpart A (Flood Damage Prevention), the most restrictive standards shall apply.

- (2) Waterway Restriction. Boathouses shall be permitted only on waterways which are navigable for recreational boats/watercraft.
- (3) Structure Requirements. No *private boathouse* shall have more than one (1) enclosed level above the boat storage area, and the enclosed level shall be no greater than the boat storage below (open decks, docs and stairways shall not be counted for this purpose).
- (4) Additional Height Restrictions. No *private boathouse* shall have a height which exceeds 25 feet measured from *mean sea level* (for rivers) and *full pond elevation* (for lakes).

SR 3.4. Bulkhead

- (1) Water Dependent Structure Standards. *Water dependent structures* may extend over the water for a distance of no more than forty (40) feet from the shore as measured from *mean sea level* elevation (for rivers) and *full pond elevation* (for lakes). In no event shall a *water dependent structure*, when located in a cove or river, extend more than one-third (1/3) the width of the cove or river measured from the shore (as measured from *mean sea level* elevation (for rivers) and *full pond elevation* (for lakes)) at the point of the proposed construction to the nearest point on the opposite shore. The *water dependent structure* shall extend into the water so as to remain confined within a projection of *side lot lines* of the *lot* on which the *structure* is accessed. Where there is conflict between this and Article VIII (Natural Resources), Subpart A (Flood Damage Prevention), the most restrictive standards shall apply.
- (2) Waterway Restriction. *Bulkheads* shall be permitted on all waterways.

SR 3.5. Dock/Pier

- (1) Water Dependent Structure Standards. *Water dependent structures* may extend over the water for a distance of no more than forty (40) feet from the shore as measured from *mean sea level* elevation (for rivers) and *full pond elevation* (for lakes). In no event shall a *water dependent structure*, when located in a cove or river, extend more than one-third (1/3) the width of the cove or river measured from the shore (as measured from *mean sea level* elevation (for rivers) and *full pond elevation* (for lakes)) at the point of the proposed construction to the nearest point on the opposite shore. The *water dependent structure* shall extend into the water so as to remain confined within a projection of *side lot lines* of the *lot* on which the *structure* is accessed. Where there is conflict between this and Article VIII (Natural Resources), Subpart A (Flood Damage Prevention), the most restrictive standards shall apply.
- (2) Waterway Restriction. Docks and piers shall be permitted on all waterways.
- (3) Structure Requirements. Where a dock is connected to a boathouse the dock will be considered as the one (1) permitted dock per lot.

SR 3.6. Dwelling, Accessory Residential

- (1) Maximum Number Permitted Per Lot. No more than one (1) *accessory dwelling* shall be permitted on a single deeded *lot* in conjunction with the principal *dwelling unit*.
- (2) Structure Requirements.
 - a. An *accessory dwelling* may be attached, within, or separate from the principal dwelling.

- b. *Manufactured homes* are permitted as *accessory dwellings* where such are permitted as a *principal use* in the general use zoning district.
 - c. *Mobile homes, park model homes and recreational vehicles* shall not be used as *accessory dwellings*.
- (3) Size. An *accessory dwelling* shall be no larger than 75 percent of the *gross floor area* of the principal dwelling. The *accessory dwelling* may be combined with a *garage, workshop, studio or similar use*.
- (4) Location. A detached *accessory dwelling* may be located in the established *front, side, or rear yard* and shall meet the standards for the applicable *building and lot* type.

SR 3.7. Gate and/or Guardhouse

- (1) Operations. *Gates and/or guardhouses* shall be for the purpose of serving residents/occupants and visitors to a private property, complex, development, *manufactured home park* or *subdivision*.
- (2) Accessibility. The developer and homeowners' association shall:
- a. Provide unfettered access to all private *roads* by emergency and law enforcement *vehicles*. Access procedures must ensure immediate access through the *entry gates* for emergency and law enforcement *vehicles* responding to emergencies without need of special keys or codes. This may be done by *access control device* approved by the County. As an alternative the developer or homeowners association may provide a *person* to provide immediate access to emergency service personnel on a 24 hour basis. The developer and homeowner's association shall provide and annually update documentation necessary to provide this access to the Henderson County Fire Marshal and Sheriff's Department that proposed *entry gates* and access procedures meet all County standards for access by emergency and law enforcement *vehicles*. If the homeowner's association fails to maintain reliable access for the provision of emergency or other public services, the County may enter the gated *residential development* and open, disable or remove any gate or device, which is a barrier to access, at the sole expense of the homeowners' association. The declaration of covenants, conditions and restrictions and any other relevant documents of the homeowners' association shall include a statement to this effect.
 - b. Reasonably guarantee access to all private *roads* by Henderson County and State of North Carolina employees operating within the scope of their official duties to perform zoning, inspections and other governmental regulatory activities, and to all public utility companies to perform installation and maintenance activities of public utility infrastructure. A statement to this effect shall be filed with the Henderson County Sheriff's Department and appear on the *final plat* of all new development.
- (3) Structure. Gates and/or guardhouses shall:
- a. Be *setback* sufficiently far from *public road* access to allow for the stacking of at least three (3) *vehicles* out of the public travel lanes on the *public road*;

- b. Have an additional *setback* between the point of the *access control device* and the *entry gate* to allow a *vehicle* which is denied access to safely turn around and exit onto a *public road*;
- c. Be provided adequate *setbacks* and proper alignment of approach and departure areas on both sides of a gated entrance to allow free and unimpeded passage of emergency *vehicles* through the entrance area;
- d. Have sufficient minimum gate widths and openings to allow safe passage of all *vehicles*;
- e. Where the gate crosses a travel way which permits:
 - 1. Two-way travel, such gate shall open so as to provide a minimum width of 18 feet of passage; or
 - 2. One-way travel, such gate shall open so as to provide a minimum width of 12 feet of passage; and
- f. Provide a minimum thirteen feet six inches (13.5 feet) *vertical clearance* at its lowest point.

SR 3.8. Greenhouse

- (1) Best management practices for managing irrigation runoff are encouraged. The nutrient level in *stormwater runoff* should be no higher than pre-development levels.

SR 3.9. Heliport (Private Accessory).

- (1) Certification, Licensure and Permitting Requirements. Private accessory heliports must be constructed in accordance with Federal Aviation Administration regulations and provide proof of approval.

SR 3.10. Outdoor Sale Display Areas

- (1) Display Area Restrictions. Display areas shall not:
 - a. Be located in the *sight visibility triangle*;
 - b. Be located on sidewalks or parking areas; and
 - c. Exceed 25 feet in height.

SR 3.11. Parking Garages. (See SR 7.12 (Parking Garage or Lot)).

SR 3.12. Planned Seasonal Agricultural Worker Development

- (1) Principal Structure/Use Requirement. A *planned seasonal agricultural worker development* shall be permitted only on property in recognized agricultural *use* with a minimum of ten (10) acres in such *use*.
- (2) Development Size Restrictions. No more than one (1) accessory residential dwelling may be sited for each ten (10) acres in agricultural *use* or two-and-one-half (2 ½) acres in *greenhouse use*. Accessory residential dwellings must be set back from property lines and *roads* as follows: three (3) to 10 units (100 foot *setback*); 11 to 15 units (150 foot *setback*). Accessory residential dwellings in a *planned seasonal agricultural worker development* shall be for the express purpose of housing seasonal workers performing seasonal agricultural work on the property of the farm/orchard.
- (3) Structure Requirements. A *planned seasonal agricultural worker development* shall consist of accessory residential dwellings and shall adhere to the standards therefore

- (excluding the maximum number permitted per lot; the restrictions in this subsection shall apply with regard to maximum number permitted (see (4) Maximum Number Permitted Per Lot).
- (4) Maximum Number Permitted Per Lot. Fifteen (15).

SR 3.13. Produce Stand, Accessory

- (1) Setbacks. *Produce stands* may be established in the *front yard setback*, but shall be placed outside the *right-of-way*.

SR 3.14. Storage Shed

- (1) Structure Requirements. A storage shed may be attached to, or separate from, the *principal structure*.

SR 3.15. Wastewater Treatment Plant, Small Accessory

- (1) Security. The operations of a *package wastewater treatment plant* shall be totally enclosed by: (1) a security fence at least eight (8) feet in height; (2) a wall at least eight (8) feet in height; or (3) a fireproof building. Entrances and exits should be secured and locked.
- (2) Screening. Screen Class Three (3) shall be provided consistent with the requirements of §42-181 (Screen Classification).

SR 3.16. Wind Mill/Turbine, Accessory ≤ 40 ft height

- (1) Principal Structure/Use Requirement. Accessory wind mills/turbines shall only be permitted in conjunction with a principal residential dwelling unit or business.
- (2) Height. Wind turbine height shall be no more than 40 feet.
- (3) Rotor Blades. Rotor blades shall not exceed eight (8) feet in radius measured from the center of the support structure and shall maintain a minimum ground clearance of ten (10) feet. Wind turbines proposing a rotor blade exceeding eight (8) feet in radius shall require a *Special Use Permit* and shall also meet the requirements for SR 3.17.
- (4) Setback. The base of the wind turbine shall be at least ten (10) feet from surrounding property lines and setback a distance equivalent to 110 percent of the height of the wind turbine at its highest point from the property line.
- (5) Color. Wind turbines must be a color that is consistent with *existing development* or natural conditions.
- (6) Compliance with FAA Regulations. Wind turbines must comply with applicable FAA regulations, including any necessary approvals for installation close to *airports*. Evidence of compliance or non-applicability shall be submitted to the *Zoning Administrator*.
- (7) Compliance with FCC Regulations. Wind turbines must comply with applicable FCC regulations. Evidence of compliance or non-applicability shall be submitted to the *Zoning Administrator*.
- (8) Structure Requirements. Wind turbines shall require a building permit to insure that the foundation is designed and constructed with a concrete foundation per the manufacturing requirements. Sealed engineering drawings shall be required prior to the issuance of a building permit. These standards shall not preempt the State Building Code standards or requirements to insure structural stability.

- (9) Survival Wind Speed. Wind turbines shall be designed to withstand wind speeds as required by the State Building Code.

SR 3.17. Wind Mill/Turbine, Accessory > 40 ft height

- (1) Principal Structure/Use Requirement. Accessory wind mills/turbines shall only be permitted in conjunction with a principal residential dwelling unit or business.
- (2) Height. Wind turbine height shall be no more than 40 feet above any obstruction (*structure, tree, etc. (excluding communication towers)*) within a 200 foot radius of the base of the wind turbine. In no case shall the height exceed 100 feet.
- (3) Rotor Blades. Rotor blades shall maintain a minimum ground clearance of ten (10) feet.
- (4) Setback. The base of the wind turbine shall be at least ten (10) feet from surrounding property lines and setback a distance equivalent to 110 percent of the height of the wind turbine at its highest point from the property line.
- (5) Color. Wind turbines must be a color that is consistent with *existing development* or natural conditions.
- (6) Compliance with FAA Regulations. Wind turbines must comply with applicable FAA regulations, including any necessary approvals for installation close to *airports*. Evidence of compliance or non-applicability shall be submitted to the *Zoning Administrator*.
- (7) Compliance with FCC Regulations. Wind turbines must comply with applicable FCC regulations. Evidence of compliance or non-applicability shall be submitted to the *Zoning Administrator*.
- (8) Structure Requirements. Wind turbines shall require a building permit to insure that the foundation is designed and constructed with a concrete foundation per the manufacturing requirements. Sealed engineering drawings shall be required prior to the issuance of a building permit. These standards shall not preempt the State Building Code standards or requirements to insure structural stability.
- (9) Survival Wind Speed. Wind turbines shall be designed to withstand wind speeds as required by the State Building Code.
- (10) Other Considerations. In addition to the standard review for *Special Use Permits*, the Zoning Board of Adjustment shall consider noise and appearance criteria as factors when reviewing *Special Use Permit* applications for wind turbines.

4. RECREATIONAL USES

SR 4.1. Amusement Park

- (1) Site Plan. Major *Site Plan* required in accordance with §42-330 (Major Site Plan Review).
- (2) Lighting. *Adequate lighting* shall be placed in areas used for vehicular/pedestrian access including, but not limited to: stairs, sidewalks, crosswalks, intersections, or changes in grade. *Lighting mitigation* required.
- (3) Perimeter Setback. One hundred (100) feet (equipment, machinery and/or mechanical devices shall not be placed within 200 feet of an existing *dwelling unit* and/or *residential zoning district*).

- (4) Security. The operations of an *amusement park* shall be totally enclosed by a security fence or wall at least eight (8) feet in height. Entrances and exits should be secured and locked during non-operating hours.
- (5) Hours of Operation. 8:00 a.m. to 12:00 midnight.

SR 4.2. *Camp*

- (1) Site Plan. Major *Site Plan* required in accordance with §42-330 (Major Site Plan Review).
- (2) Lighting. *Lighting mitigation* required.
- (3) Perimeter Setback. Fifty (50) feet.
- (4) Operations. The *camp* may contain *structures* ancillary to the use.
- (5) Solid Waste Collection. The facility shall provide a suitable method of solid waste disposal and collection consisting of either private collection from individual *uses* or the *use* of dumpsters (installed and/or operated to meet all local and state statutes, ordinances and regulations (including Chapter 95 of the Henderson County Code, *Solid Waste*) and thereafter certified by the Department of Public Health). Where dumpsters are used, Screen Class One (1), Two (2) or Three (3) shall be provided consistent with the requirements of §42-181 (Screen Classification).
- (6) Common Area Recreation and Service Facilities. Those facilities within the *camp* shall be for the sole purpose of serving the overnight guests in the *camp*, and shall adhere to the development standards established therefore in SR 4.5 (*Common Area Recreation and Service Facilities*).

SR 4.3. *Campground*

- (1) Site Plan. Major *Site Plan* required in accordance with §42-330 (Major Site Plan Review).
- (2) Lighting. *Lighting mitigation* required.
- (3) Size. No *campground* located on/adjacent to a *residential zoning district* shall contain more than 200 campsites. Individual campsites shall be a minimum of 500 square feet.
- (4) Perimeter Setback. Fifty (50) feet.
- (5) Common Area. A *common area* shall be provided, that is equivalent in square footage to 25 percent the total square footage in: campsites, *structures* on site, parking areas and *driveways*. *Common area* shall be accessible for the *use* and enjoyment of *campground* occupants, located as to be free of traffic hazards and maintained in good condition by the *applicant*.
- (6) Operations. The *campground*:
 - a. May contain *structures* ancillary to the use; and
 - b. Shall be permitted one (1) store, exclusively for the sale of incidental gifts and foodstuffs.
- (7) Solid Waste Collection. The facility shall provide a suitable method of solid waste disposal and collection consisting of either private collection from individual *uses* or the *use* of dumpsters (installed and/or operated to meet all local and state statutes, ordinances and regulations (including Chapter 195 of the Henderson County Code, *Solid Waste*) and thereafter certified by the Department of Public Health). Where

dumpsters are used, Screen Class One (1), Two (2) or Three (3) shall be provided consistent with the requirements of §42-181 (Screen Classification).

- (8) Common Area Recreation and Service Facilities. Those facilities within the *campground* shall be for the sole purpose of serving the overnight guests in the *campground*, and shall adhere to the development standards established therefore in SR 4.5 (*Common Area Recreation and Service Facilities*).

SR 4.4. *Camping, Low Impact*

- (1) Site Plan. Minor *Site Plan* required in accordance with §42-329 (Minor Site Plan Review) and it shall be reviewed and approved by the TRC.
- (2) Perimeter Setback. Adhere to the underlying zoning district setbacks.
- (3) Utilities. Portable water is allowed but not required.
- (4) Campsites. The following requirements shall apply.
 - a. All campsite locations shall be clearly marked.
 - b. Campsites shall provided a minimum 10x10 designed tent pad or visibly defined area.
 - c. Campfires shall be permitted within designated fire rings, and must follow all local fire regulations, including monitoring of fire bans.
- (5) Operations. The following requirements shall apply.
 - a. Landowner(s) will provide rules and regulations to campers.
 - b. Hiking trails, if provided, shall be clearly marked and/or mapped.
 - c. Designated parking shall be required at a minimum of one (1) parking space per campsite.
 - d. All camping equipment, personal property, trash, and refuse must be removed when vacating or leaving the area or site.
 - e. A management or reservation process is required.
 - f. The maximum stay shall not exceed 14 days.

SR 4.5. *Coin Operated Amusements*

- (1) Site Plan. Major *Site Plan* required in accordance with §42-330 (Major Site Plan Review).
- (2) Lighting. *Lighting mitigation* required.

SR 4.6. *Common Area Recreation and Service Facilities*

- (1) Site Plan. Major *Site Plan* required in accordance with §42-330 (Major Site Plan Review).
- (2) Structure. Where the *common area recreation facility* is a swimming pool, spa or hot tub, it shall be protected by a fence or equal enclosure, a minimum of four (4) feet in height, and shall have controlled access.
- (3) Operations. Common area service facilities shall be for the purpose of serving residents and visitors within the complex, development, *manufactured home park* or *subdivision*, and shall not be considered a commercial operation for *use* by those outside of the complex, development, *manufactured home park* or *subdivision*.

SR 4.7. *Golf Course and/or Country Club*

- (1) Site Plan. Major *Site Plan* required in accordance with §42-330 (Major Site Plan Review).
- (2) Lighting. *Lighting mitigation* required.

SR 4.8. Governmental Recreational Facilities

- (1) Site Plan. Major *Site Plan* required in accordance with §42-330 (Major Site Plan Review).
- (2) Lighting. *Lighting mitigation* required.
- (3) Perimeter Setback. All *buildings* shall be 100 feet from a *residential zoning district* property.
- (4) Structure. For activities which present potential safety hazards (batting cages, baseball fields, driving tees, etc.) fencing, netting or other control measures shall be required.
- (5) Operations. A recreational facility may contain on-site food sales for patrons of the recreational facility only, provided they obtain all necessary permits.
- (6) Solid Waste Collection. The facility shall provide a suitable method of solid waste disposal and collection consisting of either private collection from individual *uses* or the *use* of dumpsters (installed and/or operated to meet all local and state statutes, ordinances and regulations (including Chapter 95 of the Henderson County Code, *Solid Waste*) and thereafter certified by the Department of Public Health). Where dumpsters are used, Screen Class One (1), Two (2) or Three (3) shall be provided consistent with the requirements of §42-181 (Screen Classification).
- (7) Public Address/Loud Speakers. Public address and loud speaker systems shall not be operated before 8:00 a.m. or after 12:00 midnight.

SR 4.9. Marina

- (1) Site Plan. Major *Site Plan* required in accordance with §42-330 (Major Site Plan Review).
- (2) Lighting. *Lighting mitigation* required.

SR 4.10. Miniature Golf Course & Driving Tees/Range (operated for commercial purposes)

- (1) Site Plan. Major *Site Plan* required in accordance with §42-330 (Major Site Plan Review).
- (2) Structure. Fencing, netting or other control measures shall be placed around the perimeter of any driving range area for safety purposes.
- (3) Perimeter Setback. Fifty (50) feet.

SR 4.11. Motor Sports Facilities, Major

- (1) Site Plan. Major *Site Plan* required in accordance with §42-330 (Major Site Plan Review).
- (2) Lighting. *Adequate lighting* shall be placed in areas used for vehicular/pedestrian access including, but not limited to: stairs, sidewalks, crosswalks, intersections, or changes in grade. *Lighting mitigation* required
- (3) Dust Reduction. Unpaved *roads, travel ways* and/or parking areas shall be treated to prevent dust from adverse effects to adjacent properties.

- (4) Separation. A *major motor sports facility* shall not be constructed or newly located within:
 - a. One and one-half (1 ½) miles of an existing *school, library, day care facility, healthcare facility and/or religious institution*; and
 - b. Fifteen hundred (1,500) feet of an existing *dwelling unit* (located in a *residential zoning district* and not located on the same property as the *use*).
- (5) Size. A *major motor sports facility* shall have seating or standing capacity of 500 or more patrons/spectators. Standing capacity shall be computed based on three (3) *persons* for each 200 square feet of space intended for spectator *use*.
- (6) Security. The operations of a *major motor sports facility* shall be totally enclosed by: (1) a security fence at least eight (8) feet in height; (2) a wall at least eight (8) feet in height; or (3) a fireproof *building*. Entrances and exits should be secured and locked during non-operating hours.
- (7) Perimeter Setback. Three hundred (300) feet.
- (8) Perimeter Buffer. On hundred fifty (150) feet.
- (9) Public Address/Loud Speakers. Public address and loud speaker systems shall not be operated before 6:00 a.m. or after 12:00 midnight.
- (10) Racing Events.
 - a. Length of Event. An event shall be held for no more than:
 - 1. Three (3) consecutive days;
 - 2. Five (5) days in a calendar week; and
 - 3. Six (6) hours in a day (falling within the permitted hours of operation).
 - b. Emergency Preparedness. Employees specifically trained for fire and medical response must be located on-site during all hours of operation.
- (11) Sedimentation Control. Permanent control measures are required to retain all non-compacted soils on-site.
- (12) Hours of Operation. 6:00 a.m. to 12:00 midnight.

SR 4.12. Motor Sports Facilities, Minor

- (1) Site Plan. Major *Site Plan* required in accordance with §42-330 (Major Site Plan Review).
- (2) Lighting. *Adequate lighting* shall be placed in areas used for vehicular/pedestrian access including, but not limited to: stairs, sidewalks, crosswalks, intersections, or changes in grade. *Lighting mitigation* required.
- (3) Dust Reduction. Unpaved *roads, travel ways* and/or parking areas shall be treated to prevent dust from adverse effects to adjacent properties.
- (4) Separation. A *minor motor sports facility* shall not be constructed or newly located within:
 - a. One (1) mile of an existing *school, library, day care facility, healthcare facility and/or religious institution*; and
 - b. One thousand (1,000) feet of an existing *dwelling unit* (located in a *residential zoning district* and not located on the same property as the *use*).
- (5) Lot Size. No more than 50 acres.
- (6) Size. A *minor motor sports facility* shall have a seating or standing capacity of less than 500 patrons/spectators and will not be considered a *recreational motor sports*

- facility*. Standing capacity shall be computed based on three (3) *persons* for each 200 square feet of space intended for spectator *use*.
- (7) Security. The operations of a motor sports facility shall be totally enclosed by: (1) a security fence at least eight (8) feet in height; (2) a wall at least eight (8) feet in height; or (3) a fireproof *building*. Entrances and exits should be secured and locked during non-operating hours.
 - (8) Perimeter Setback. One hundred fifty (150) feet.
 - (9) Public Address/Loud Speakers. Public address and loud speakers systems shall not be operated before 8:00 a.m. or after 12:00 midnight.
 - (10) Number of Tracks Restrictions. A *minor motor sports facility* shall have no more than three (3) tracks.
 - (11) Racing Events. A racing event shall be limited in accordance with the following:
 - a. Length of Event. An event shall be held for no more than:
 - 1. Three (3) consecutive days;
 - 2. Three (3) days in a calendar week; and
 - 3. Six (6) hours in a day (falling within the permitted hours of operation).
 - b. Emergency Preparedness. Employees specifically trained for fire and medical response must be located on-site during all hours of operation.
 - (12) Sedimentation Control. Permanent control measures are required to retain all non-compacted soils on-site.
 - (13) Hours of Operation. 8:00 a.m. to 12:00 midnight.

SR 4.13. Motor Sports Facilities, Recreational

- (1) Site Plan. Major *Site Plan* required in accordance with §42-330 (Major Site Plan Review).
- (2) Lighting. *Adequate lighting* shall be placed in areas used for vehicular/pedestrian access including, but not limited to: stairs, sidewalks, crosswalks, intersections, or changes in grade. *Lighting mitigation* required.
- (3) Separation. A *recreational motor sports facility* shall not be constructed or newly located within 500 feet of an existing *dwelling unit* (located in a *residential zoning district* and not located on the same property as the *use*).
- (4) Size. A *recreational motor sports facility* shall have a capacity of less than 100 spectators and/or riders.
- (5) Security. The operations of a *recreational motor sports facility* shall be totally enclosed by a security fence or wall at least eight (8) feet in height. Entrances and exits should be secured and locked during non-operating hours.
- (6) Perimeter Setback. Fifty (50) feet.
- (7) Public Address/Loud Speakers. Public address and loud speaker systems are prohibited.
- (8) Screening. Screen Class One (1) shall be provided consistent with the requirements of §42-181 (Screen Classification)).
- (9) Number of Tracks Restrictions. A *recreational motor sports facility* shall contain only one (1) racing track utilizing non-paved surfaces.
- (10) Racing Events. A racing event shall be limited in accordance with the following:
 - a. Number per Calendar Year. Five (5) or fewer.
 - b. Length of Event. An event shall be held for no more than:

1. Three (3) consecutive days;
 2. Three (3) days in a calendar week; and
 3. Six (6) hours in a day (falling within the permitted hours of operation).
- c. Number of Contestants. Each event may include no more than 20 total contestants; with no more than 10 contestants allowed on the track at a given time.
- d. Emergency Preparedness. Employees specifically trained for fire and medical response must be located on-site during all hours of operation.
- (11) Dust Reduction. Unpaved *roads, travel ways* and/or parking areas shall be treated to prevent dust from adverse effects to adjacent properties.
- (12) Sedimentation Control. Permanent control measures are required to retain all non-compacted soils on-site.
- (13) Hours of Operation. 8:00 a.m. to 8:00 p.m.

SR 4.14. Park

- (1) Site Plan. Major *Site Plan* required in accordance with §42-330 (Major Site Plan Review).
- (2) Lighting. *Lighting mitigation* required.

SR 4.15. Recreational Facilities (Indoor/Outdoor)

- (1) Site Plan. Major *Site Plan* required in accordance with §42-330 (Major Site Plan Review).
- (2) Lighting. *Adequate lighting* shall be placed in areas used for vehicular/pedestrian access including, but not limited to: stairs, sidewalks, crosswalks, intersections, or changes in grade. *Lighting mitigation* required.
- (3) Perimeter Setback. One hundred (100) feet (equipment, machinery and/or mechanical devices shall not be placed within 200 feet of a *residential zoning district*. All *structures* shall be 100 feet from a *residential zoning district* property).
- (4) Structure. For activities which present potential safety hazards (batting cages, baseball fields, driving tees, etc.) fencing, netting or other control measures shall be required.
- (5) Solid Waste Collection. The facility shall provide a suitable method of solid waste disposal and collection consisting of either private collection from individual *uses* or the *use* of dumpsters (installed and/or operated to meet all local and state statutes, ordinances and regulations (including Chapter 95 of the Henderson County Code, Solid Waste) and thereafter certified by the Department of Public Health). Where dumpsters are used, Screen Class One (1), Two (2) or Three (3) shall be provided consistent with the requirements of §42-181 (Screen Classification)).
- (6) Public Address/Loud Speakers. Public address and loud speaker systems shall not be operated before 8:00 a.m. or after 12:00 midnight.
- (7) Hours of Operation. For outdoor *uses*, 6:00 a.m. to 12:00 midnight.

SR 4.16. Recreational Vehicle Park

- (1) Site Plan. Major *Site Plan* required in accordance with §42-330 (Major Site Plan Review).

- (2) Lighting. *Lighting mitigation* required.
- (3) Perimeter Setback. Fifty (50) feet.
- (4) Recreational Vehicle Spaces. *Recreational vehicle* spaces shall be a minimum of 2,000 square feet and shall have dimensions no less than 40 feet by 50 feet. A *recreational vehicle* space may contain up to four (4) campsites for tent set-up. No *recreational vehicle* space is permitted in the 100-year *floodplain*.
- (5) Common Area. A *common area* shall be provided, that is equivalent in square footage to 25 percent the total square footage in: *recreational vehicle/park model home* spaces, *structures* on site, parking areas and *driveways*. *Common area* shall be accessible for the use and enjoyment of *recreational vehicle park* occupants, located as to be free of traffic hazards and maintained in good condition by the *applicant*.
- (6) Operations. The *recreational vehicle park*:
 - a. Shall provide rental spaces:
 1. For the location of *recreational vehicles, park model homes* and/or tent set-up,
 2. Which may contain an open or covered porch not exceeding 15 feet in height and not to exceed 400 square feet in area, and
 3. Which have no point of direct access not indicated on the *site plan*;
 - b. May contain *structures* ancillary to the use;
 - c. Shall be permitted one (1) store, exclusively for the sale of incidental gifts and foodstuffs; and
 - d. Shall provide, at the time of application, an evacuation plan for a natural disaster event.
- (7) Solid Waste Collection. The facility shall provide a suitable method of solid waste disposal and collection consisting of either private collection from individual *uses* or the *use* of dumpsters (installed and/or operated to meet all local and state statutes, ordinances and regulations (including Chapter 95 of the Henderson County Code, *Solid Waste*) and thereafter certified by the Department of Public Health). Where dumpsters are used, Screen Class One (1), Two (2) or Three (3) shall be provided consistent with the requirements of §42-181 (Screen Classification).
- (8) Sewage System. *Recreational vehicle/park model home* spaces shall not be provided individual hookups to a septic tank, *approved public or community sewage disposal system* or *municipal sewage disposal system*; instead, a central dump station shall be provided for the *use* of all occupants. A *recreational vehicle park* shall connect to a *municipal sewage disposal system* when the system is located within a distance equal to the product of 50 feet multiplied by the number of spaces proposed for the *recreational vehicle park*. If a *park* is located more than 2,500 feet from an existing *municipal sewage disposal system*, such connection shall not be required.
- (9) *Common Area Recreation and Service Facilities*. Those facilities within the *recreational vehicle park* shall be for the sole purpose of serving the overnight guests in the *park*, and shall adhere to the development standards established in SR 4.5 (*Common Area Recreation and Service Facilities*).

SR 4.17. Riding Stables

- (1) Site Plan. Major *Site Plan* required in accordance with §42-330 (Major Site Plan Review).

SR 4.18. Commercial Shooting Ranges, Indoor

- (1) Site Plan. Major *Site Plan* required in accordance with §42-330 (Major Site Plan Review).
- (2) Lighting. *Adequate lighting* shall be placed in areas used for vehicular/pedestrian access including, but not limited to: stairs, sidewalks, crosswalks, intersections, or changes in grade. *Lighting mitigation* required.
- (3) Structure. Indoor *shooting ranges* shall be designed to contain all projectiles fired within portions of the *structure* specifically designated for firearm discharge.

SR 4.19. Commercial Shooting Ranges, Outdoor

- (1) Site Plan. Major *Site Plan* required in accordance with §42-330 (Major Site Plan Review).
- (2) Lighting. *Adequate lighting* shall be placed in areas used for vehicular/pedestrian access including, but not limited to: stairs, sidewalks, crosswalks, intersections, or changes in grade. *Lighting mitigation* required.
- (3) Dust Reduction. Unpaved *roads, travel ways* and/or parking areas shall be treated to prevent dust from adverse effects to adjacent properties.
- (4) Separation. An outdoor *shooting range* shall not be constructed or newly located within:
 - a. One-half (½) mile of an existing *school, library, day care facility, healthcare facility* and/or *religious institution*; and
 - b. One thousand (1,000) feet of an existing *dwelling unit* (located in a *residential zoning district* and not located on the same property as the *use*).
- (5) Security. The operations of an outdoor *shooting range* shall be totally enclosed by:
 - (1) a security fence at least eight (8) feet in height; or
 - (2) a wall at least eight (8) feet in height. Entrances and exits should be secured and locked during non-operating hours.
- (6) Perimeter Setback. Fifty (50) feet. (Storage of debris, equipment and other materials, including accessory structures, shall be permitted in the *perimeter setback*).
- (7) Perimeter Buffer. Twenty five (25) feet.
- (8) Structure. Outdoor *shooting ranges* must be designed to contain all projectiles fired on-site.
- (9) Hours of Operation. 9:00 a.m. to 8:00 p.m.
- (10) Special events that include, but not limited to, turkey shoots, competitions, etc., shall be allowed with a Special Events Permit provided it complies with SR 11.5 and/or SR 11.6. These events are allowed in all zoning districts.

5. EDUCATIONAL AND INSTITUTIONAL USES

SR 5.1. Adult Day Care Facility

- (1) Site Plan. Site Major *Site Plan* required in accordance with §42-330 (Major Site Plan Review).
- (2) Lighting. *Lighting mitigation* required.

- (3) Certification, Licensure and Permitting. Certified by the Department of Health and Human Services (in accordance with *NCGS* §131D-6).
- (4) Structure. An *adult day care facility* shall (in accordance with *NCAC* 10A 06R.0401-.0701 and 06S.0301):
 - a. Provide a minimum of 40 square feet of indoor space (excluding hallways, offices and restrooms) for each participant;
 - b. Provide a minimum of one (1) toilet for each 12 adults (participants and staff) in attendance at the facility;
 - c. Provide a minimum of one (1) hand lavatory for each two (2) toilets; and
 - d. Be located in a one (1) story *building* (OR) be located in a two (2) story *building* provided neither story is greater than 1,800 square feet.

SR 5.2. Ambulance Services

- (1) Site Plan. Major *Site Plan* required in accordance with §42-330 (Major Site Plan Review).
- (2) Lighting. *Adequate lighting* shall be placed in areas used for vehicular/pedestrian access including, but not limited to: stairs, sidewalks, crosswalks, intersections, or changes in grade. *Lighting mitigation* required.
- (3) Accessibility. *Roads* shall be maintained for motor/emergency *vehicle* access.
- (4) Operations. No drills are to be held before 8:00 a.m. or after 12:00 midnight. No ambulances or other emergency *vehicles* are to be permanently stored outdoors.

SR 5.3. Cemetery, Family

- (1) Site Plan. Major *Site Plan* required in accordance with §42-330 (Major Site Plan Review).
- (2) Plot Setback. Plots shall be:
 - a. Twenty (20) feet from any property line.
 - b. One hundred (100) feet from any structure.
 - c. One hundred (100) feet from an existing well.
 - d. One hundred (100) feet from the high-water mark of any spring, stream, lake, reservoir or other know source of water. Family cemeteries shall not be located in a *special flood hazard area*.
- (3) Security. The family cemetery shall be enclosed by a fence or wall at least four (4) feet in height constructed of metal, masonry or stone.
- (4) Private/Public Easement. A minimum twenty (20) foot private or public *easement* shall be recorded to provide access to a family cemetery.
- (5) Certification, Licensure and Permitting. A family cemetery shall comply with all applicable local, state and federal environmental and public health laws (including the requirements of N.C.G.S. 65-Cemeteries).
- (6) Plat. A family cemetery shall be recorded on a plat in the Register of Deeds office.
- (7) Marker. Each container of human remains shall be buried beneath the surface of the ground and shall be indicated by a permanent visible marker or monument. The marker or monument should be made of granite or bronze, mounted on at least a four inch concrete base and have a minimum dimension of one (1) foot wide by two (2) feet tall and be four (4) inches thick. The marker should be placed as soon as

- practicable after the remains are interred and shall bear the name, year of birth and year of death of the deceased.
- (8) Responsibility. The owner of any property which contains all or part of a family cemetery is responsible for maintaining the family cemetery in compliance with local, state and federal regulations.

SR 5.4. Cemetery/Mausoleum/Columbarium (excluding Crematoriums)

- (1) Site Plan. Major *Site Plan* required in accordance with §42-330 (Major Site Plan Review).
- (2) Plot Setback. Plots shall be 20 feet from any property line.
- (3) Parking/Drive. No parking or drive shall be located closer than 20 feet to a *residential zoning district*.

SR 5.5. Childcare Facility

- (1) Site Plan. Major *Site Plan* required in accordance with §42-330 (Major Site Plan Review).
- (2) Lighting. *Lighting mitigation* required.
- (3) Certification, Licensure and Permitting. All *childcare facilities* shall be licensed by the appropriate agency (in accordance with NCGS §110-91).
- (4) Structure. A *childcare facility* shall provide a minimum of (in accordance with NCGS §110-91(6)):
 - a. Twenty-five (25) square feet of indoor space (excluding closets, hallways, kitchens and restrooms) for each child; and
 - b. Seventy five (75) square feet of outdoor play area for each child, surrounded by a fence at least four (4) feet in height.

SR 5.6. Club/Lodge

- (1) Site Plan. Major *Site Plan* required in accordance with §42-330 (Major Site Plan Review).
- (2) Operations. A *club/lodge* may operate bars and restaurants for its members provided it obtains all necessary permits.
- (3) Lighting. *Lighting mitigation* required.
- (4) Public Address/Loud Speakers. Public address and loud speaker systems shall not be operated before 8:00 a.m. or after 12:00 midnight at any *club/lodge* located on/adjacent to a *residential zoning district*.

SR 5.7. College or University

- (1) Site Plan. Major *Site Plan* required in accordance with §42-330 (Major Site Plan Review).
- (2) Lighting. *Lighting mitigation* required.

SR 5.8. Community Club

- (1) Site Plan. Major *Site Plan* required in accordance with §42-330 (Major Site Plan Review).
- (2) Lighting. *Lighting mitigation* required.

SR 5.9. Correctional Facilities

- (1) Site Plan. Major *Site Plan* required in accordance with §42-330 (Major Site Plan Review).
- (2) Lighting. *Adequate lighting* shall be placed in areas used for vehicular/pedestrian access including, but not limited to: stairs, sidewalks, crosswalks, intersections, or changes in grade. *Lighting mitigation* required.
- (3) Dust Reduction. Unpaved *roads, travel ways* and/or parking areas shall be treated to prevent dust from adverse effects to adjacent properties.
- (4) Separation. A correctional facility shall not be constructed or newly located within:
 - a. One-half ($\frac{1}{2}$) mile of an existing *school, library, day care facility, healthcare facility and/or religious institution*; and
 - b. One thousand (1,000) feet of an existing *dwelling unit* (located in a *residential zoning district* and not located on the same property as the *use*).
- (5) Security. The operations of a correctional facility shall be totally enclosed by: (1) a security fence at least eight (8) feet in height; (2) a wall at least eight (8) feet in height; or (3) a fireproof *building*. Entrances and exits should be secured and locked during non-operating hours.

SR 5.10. Fire and Rescue Station

- (1) Site Plan. Major *Site Plan* required in accordance with §42-330 (Major Site Plan Review).
- (2) Lighting. *Adequate lighting* shall be placed in areas used for vehicular/pedestrian access including, but not limited to: stairs, sidewalks, crosswalks, intersections, or changes in grade. *Lighting mitigation* required.
- (3) Accessibility. *Roads* shall be maintained for motor/emergency *vehicle* access.
- (4) Operations. No drills are to be held before 8:00 a.m. or after 10:00 p.m. on an existing *residential zoning district*. No fire trucks or other emergency *vehicles* are to be permanently stored outdoors.

SR 5.11. Funeral Home or Crematorium

- (1) Site Plan. Major *Site Plan* required in accordance with §42-330 (Major Site Plan Review).
- (2) Lighting. *Adequate lighting* shall be placed in areas used for vehicular/pedestrian access including, but not limited to: stairs, sidewalks, crosswalks, intersections, or changes in grade. *Lighting mitigation* required.

SR 5.12. Government Offices

- (1) Site Plan. Major *Site Plan* required in accordance with §42-330 (Major Site Plan Review).
- (2) Lighting. *Adequate lighting* shall be placed in areas used for vehicular/pedestrian access including, but not limited to: stairs, sidewalks, crosswalks, intersections, or changes in grade. *Lighting mitigation* required.

SR 5.13. Homeless Shelter

- (1) Site Plan. Major *Site Plan* required in accordance with §42-330 (Major Site Plan Review).

- (2) Lighting. *Adequate lighting* shall be placed in areas used for vehicular/pedestrian access including, but not limited to: stairs, sidewalks, crosswalks, intersections, or changes in grade. *Lighting mitigation* required.
- (3) Location. No new homeless shelter shall be located within a one-half (1/2) mile radius of an existing homeless shelter or *family care home*.
- (4) Structure. A homeless shelter shall provide a minimum of 50 square feet of indoor space (excluding closets, hallways, kitchens and restrooms) for each individual to be sheltered.
- (5) Operations. The *owner/operator* of the shelter shall provide continuous, on-site supervision by him/herself, employee(s) and/or volunteer(s) during the hours of operation.

SR 5.14. Hospital

- (1) Site Plan. Major *Site Plan* required in accordance with §42-330 (Major Site Plan Review).
- (2) Lighting. *Lighting mitigation* required.

SR 5.15. Museum, Library/Archive

- (1) Site Plan. Major *Site Plan* required in accordance with §42-330 (Major Site Plan Review).
- (2) Lighting. *Lighting mitigation* required.

SR 5.16. Place of Assembly, Large

- (1) Site Plan. Major *Site Plan* required in accordance with §42-330 (Major Site Plan Review).
- (2) Lighting. *Adequate lighting* shall be placed in areas used for vehicular/pedestrian access including, but not limited to: stairs, sidewalks, crosswalks, intersections, or changes in grade. *Lighting mitigation* required.
- (3) Structure. A *structure* shall be designed to accommodate a minimum of 251 *persons*. *Persons* shall include all event attendees (guest, hired staff, event workers, etc.).
- (4) Perimeter Setback. One hundred (100) feet. No parking shall be allowed within the setback area.
- (5) Buffer. A B2 buffer is required per Table 5.2 Buffer Width and Plant Material Requirement.

SR 5.17. Place of Assembly, Small

- (1) Site Plan. Major *Site Plan* required in accordance with §42-330 (Major Site Plan Review).
- (2) Lighting. *Lighting mitigation* required.
- (3) Structure. A *structure* shall be designed to accommodate a maximum of 250 *persons*. *Persons* shall include all event attendees (guest, hired staff, event workers, etc.).
- (4) Perimeter Setback. One hundred (100) feet. No parking shall be allowed within the setback area.
- (5) Buffer. A B2 buffer is required per Table 5.2 Buffer Width and Plant Material Requirement.

SR 5.18. Police Station

- (1) Site Plan. Major *Site Plan* required in accordance with §42-330 (Major Site Plan Review).
- (2) Lighting. *Adequate lighting* shall be placed in areas used for vehicular/pedestrian access including, but not limited to: stairs, sidewalks, crosswalks, intersections, or changes in grade. *Lighting mitigation* required.
- (3) Accessibility. *Roads* shall be maintained for motor/emergency *vehicle* access.
- (4) Operations. No drills are to be held before 6:00 a.m. or after 10:00 p.m.

SR 5.19. Religious Institution

- (1) Site Plan. Major *Site Plan* required in accordance with §42-330 (Major Site Plan Review).
- (2) Lighting. *Lighting mitigation* required.
- (3) Operations. A *religious institution* shall be permitted *accessory uses* provided the requested *accessory use* is permitted as a principal/*accessory use* in the district in which the *religious institution* is located.

SR 5.20. School (Public/Private/Charter)

- (1) Site Plan. Major *Site Plan* required in accordance with §42-330 (Major Site Plan Review).
- (2) Lighting. *Lighting mitigation* required.
- (3) Operations. A *school* shall be permitted *accessory uses* provided the requested *accessory use* is permitted as a *principal/accessory use* in the district in which the *school* is located. Additional signage shall not be permitted for the *accessory use*.
- (4) Public Address/Loud Speakers. Public address and loud speaker systems shall not be operated before 7:00 a.m. or after 12:00 midnight when on/adjacent to a *residential zoning district*.

SR 5.21. Youth Center

- (1) Site Plan. Major *Site Plan* required in accordance with §42-330 (Major Site Plan Review).
- (2) Lighting. *Lighting mitigation* required.

6. BUSINESS, PROFESSIONAL, AND PERSONAL USES

SR 6.1. Animal Shelter

- (1) Site Plan. Major *Site Plan* required in accordance with §42-330 (Major Site Plan Review).
- (2) Lighting. *Adequate lighting* shall be placed in areas used for vehicular/pedestrian access including, but not limited to: stairs, sidewalks, crosswalks, intersections, or changes in grade. *Lighting mitigation* required.
- (3) Animal Control. An *animal shelter* shall adhere to the standards outlined for such in Chapter 66A of the Henderson County Code, *Animal Control Ordinance*.

SR 6.2. Automobile and Equipment Service (Including all car service related uses with bays)

- (1) Site Plan. Major *Site Plan* required in accordance with §42-330 (Major Site Plan Review).
- (2) Lighting. *Adequate lighting* shall be placed in areas used for vehicular/pedestrian access including, but not limited to: stairs, sidewalks, crosswalks, intersections, or changes in grade. *Lighting mitigation* required.
- (3) Separation. An *automobile and equipment service* shall not be constructed or newly located within 50 feet of an existing *dwelling unit* (located in a *residential zoning district* and not located on the same property as the *use*), *school*, *library*, day care facility, healthcare facility, *park*, and/or *religious institution*.
- (4) Operations. Auto inspection stations and tire recapping shall be permitted as *accessory uses* provided each is conducted within an enclosed *structure* and that neither is the principal business.

SR 6.3. Automotive Towing

- (1) Site Plan. Major *Site Plan* required in accordance with §42-330 (Major Site Plan Review).
- (2) Lighting. *Adequate lighting* shall be placed in areas used for vehicular/pedestrian access including, but not limited to: stairs, sidewalks, crosswalks, intersections, or changes in grade. *Lighting mitigation* required.
- (3) Security. The operations of an automotive towing *use* shall be totally enclosed by: (1) a security fence at least eight (8) feet in height; (2) a wall at least eight (8) feet in height; or (3) a fireproof *building*. Entrances and exits should be secured and locked during non-operating hours.
- (4) Dust Reduction. Unpaved *roads*, *travel ways* and/or parking areas shall be treated to prevent dust from adverse effects to adjacent properties.
- (5) Outdoor Storage. Storage of more than four (4) *vehicles* on site for a period greater than 24 hours constitutes an *outdoor storage* (see SR 2.9 and SR 2.10 (Outdoor Storage)).

SR 6.4. Broadcasting and Communications Facilities

- (1) Site Plan. Major *Site Plan* required in accordance with §42-330 (Major Site Plan Review).
- (2) Lighting. *Adequate lighting* shall be placed in areas used for vehicular/pedestrian access including, but not limited to: stairs, sidewalks, crosswalks, intersections, or changes in grade. *Lighting mitigation* required.

SR 6.5. Car Wash (Automatic and Self Service)

- (1) Site Plan. Major *Site Plan* required in accordance with §42-330 (Major Site Plan Review).
- (2) Lighting. *Adequate lighting* shall be placed in areas used for vehicular/pedestrian access including, but not limited to: stairs, sidewalks, crosswalks, intersections, or changes in grade. *Lighting mitigation* required.
- (3) Structure. All associated lanes and *driveways* shall be covered with an all-weather surface.

- (4) Parking/Drive. Parking areas/stacking facilities shall be designed to ensure parked/waiting *vehicles* do not block sidewalks, *driveways* or *roads*.
- (5) On-Site Drainage System. Provisions shall be made for an on-site drainage system to capture water used to wash *vehicles*. The drainage plan shall be evaluated by the *Zoning Administrator* to determine that the water from the facility will not have a detrimental effect on adjacent property, *roads* and/or surface waters.
- (6) Operations. Storage or repair of *vehicles* shall not be permitted within the car washing facility.
- (7) Screening. Screen Class Two (2) shall be provided consistent with the requirements of §42-181 (Screen Classification)).

SR 6.6. Exterminating and Pest Control Services

- (1) Site Plan. Major *Site Plan* required in accordance with §42-330 (Major Site Plan Review).
- (2) Lighting. *Adequate lighting* shall be placed in areas used for vehicular/pedestrian access including, but not limited to: stairs, sidewalks, crosswalks, intersections, or changes in grade. *Lighting mitigation* required.

SR 6.7. Kennel (A *kennel* shall adhere to the standards outlined for such in Chapter 16 of the Henderson County Code, *Animal Control Ordinance*.)

- (1) Site Plan. Major *Site Plan* required in accordance with §42-330 (Major Site Plan Review).
- (2) Lighting. *Adequate lighting* shall be placed in areas used for vehicular/pedestrian access including, but not limited to: stairs, sidewalks, crosswalks, intersections, or changes in grade. *Lighting mitigation* required.
- (3) Separation. A *kennel* shall not be constructed or newly located within 200 feet of an existing *dwelling unit* (located in a *residential zoning district* and not located on the same property as the *use*).
- (4) Structure. The *kennel* shall provide pens which are enclosed and adequately ventilated.
- (5) Operations. Limited outdoor exercise runs/facilities shall be permitted, however, hours of use shall be restricted to from 8:00 a.m. to 8:00 p.m. Food and animal refuse shall be kept in airtight containers.
- (6) Screening. Screen Class Three (3) shall be provided consistent with the requirements of §42-181 (Screen Classification)).
- (7) Solid Waste Collection. The facility shall provide a suitable method of solid waste disposal and collection consisting of either private collection from individual *uses* or the *use* of dumpsters (installed and/or operated to meet all local and state statutes, ordinances and regulations (including Chapter 95 of the Henderson County Code, *Solid Waste*) and thereafter certified by the Department of Public Health). Where dumpsters are used, Screen Class One (1), Two (2) or Three (3) shall be provided consistent with the requirements of §42-181 (Screen Classification)).

SR 6.8. Motel/Hotel

- (1) Site Plan. Major *Site Plan* required in accordance with §42-330 (Major Site Plan Review).

- (2) Lighting. *Adequate lighting* shall be placed in areas used for vehicular/pedestrian access including, but not limited to: stairs, sidewalks, crosswalks, intersections, or changes in grade. *Lighting mitigation* required.
- (3) Lot Size. One or more acres.

SR 6.9. Office: Business, Professional and Public

- (1) Site Plan. Major *Site Plan* required in accordance with §42-330 (Major Site Plan Review).
- (2) Lighting. *Adequate lighting* shall be placed in areas used for vehicular/pedestrian access including, but not limited to: stairs, sidewalks, crosswalks, intersections, or changes in grade. *Lighting mitigation* required.

SR 6.10. School (Technical, Trade and Business)

- (1) Site Plan. Major *Site Plan* required in accordance with §42-330 (Major Site Plan Review).
- (2) Lighting. *Adequate lighting* shall be placed in areas used for vehicular/pedestrian access including, but not limited to: stairs, sidewalks, crosswalks, intersections, or changes in grade. *Lighting mitigation* required.
- (3) Dust Reduction. Unpaved *roads, travel ways* and/or parking areas shall be treated to prevent dust from adverse effects to adjacent properties.
- (4) Separation. Mechanical equipment shall not be placed within 300 feet of an existing *dwelling unit* (located in a *residential zoning district* and not located on the same property as the *use*).
- (5) Outdoor Training Facilities. A *school* which contains an outdoor training facility shall place such facility in the *side* or *rear yard*.

SR 6.11. Theatre, Drive-In

- (1) Site Plan. Major *Site Plan* required in accordance with §42-330 (Major Site Plan Review).
- (2) Lighting. *Adequate lighting* shall be placed in areas used for vehicular/pedestrian access including, but not limited to: stairs, sidewalks, crosswalks, intersections, or changes in grade. *Lighting mitigation* required.
- (3) Dust Reduction. Unpaved *roads, travel ways* and/or parking areas shall be treated to prevent dust from adverse effects to adjacent properties.
- (4) Operations. A drive-in theatre may contain on-site food sales for patrons of the drive-in theatre only, provided they obtain all necessary permits. The property may be used for other permitted *uses* of the zoning district through the *Special Use Permit* process.
- (5) Lighting. *Lighting mitigation* required.
- (6) Public Address/Loud Speakers. Public address and loud speakers systems shall not be permitted.
- (7) Hours of Operation. 8:00 a.m. to 2:00 a.m.

SR 6.12. Urgent Care Clinic

- (1) Site Plan. Major *Site Plan* required in accordance with §42-330 (Major Site Plan Review).

- (2) Lighting. *Adequate lighting* shall be placed in areas used for vehicular/pedestrian access including, but not limited to: stairs, sidewalks, crosswalks, intersections, or changes in grade. *Lighting mitigation* required.
- (3) Accessibility. *Roads* shall be maintained for motor/emergency *vehicle* access. Points of ingress/egress shall be designed so as to allow for ease of entrance/exit for emergency *vehicles* in relation to the surrounding development, roadways and traffic patterns.

7. RETAIL TRADE

SR 7.1. *Adult Book and Retail Merchandise Store*

- (1) Site Plan. Major *Site Plan* required in accordance with §42-330 (Major Site Plan Review).
- (2) Lighting. *Adequate lighting* shall be placed in areas used for vehicular/pedestrian access including, but not limited to: stairs, sidewalks, crosswalks, intersections, or changes in grade. *Lighting mitigation* required.
- (3) Separation. An *adult book and/or retail merchandise store* shall not be constructed or newly located within 1,000 feet (measurements from the property line of the proposed store to the property line of the district/use) of an existing *dwelling unit* (located in a *residential zoning district* and not located on the same property as the *use*), *residential zoning district, school, library, day care facility, park, religious institution* (including *accessory uses* not located on the same lot, but contiguous to the principal place of worship) and/or another adult establishment (stores or entertainment) in straight-line distance.
- (4) Structure Requirements. The *principal* or any *accessory structure* to the principal business shall not contain any sleeping quarters. Where viewing booths are provided such are to be designed as to allow the *person* or occupants to be completely visible from a portion of the premise open and available to the public.
- (5) Operations. No *person* shall be employed nor be allowed on premise if they are less than 18 years of age.
- (6) Perimeter Setback. Thirty (30) feet.

SR 7.2. *Adult Theatres and Live Entertainment*

- (1) Site Plan. Major *Site Plan* required in accordance with §42-330 (Major Site Plan Review).
- (2) Lighting. *Adequate lighting* shall be placed in areas used for vehicular/pedestrian access including, but not limited to: stairs, sidewalks, crosswalks, intersections, or changes in grade. *Lighting mitigation* required.
- (3) Separation. An *adult theatre and/or live entertainment venue* shall not be constructed or newly located within (measurements from the property line of the proposed theatre/venue to the property line of the district or use):
 - a. Fifteen hundred (1,500) feet of an existing *school, library, day care facility, park* and/or *religious institution* (including *accessory uses* not located on the same *lot*, but contiguous to the principal place of worship); and

- b. One thousand (1,000) feet of an existing *dwelling unit* (located in a *residential zoning district* and not located on the same property as the *use*), *residential zoning district* and/or another adult establishment (stores and entertainment) in straight-line distance.
- (4) Structure Requirements. The *principal* or any *accessory structure* to the principal business shall not contain any sleeping quarters. Where viewing booths are provided such are to be designed as to allow the *person* or occupants to be completely visible from a portion of the premise open and available to the public.
- (5) Operations. No *person* shall be employed nor be allowed on premise if they are less than 18 years of age.
- (6) Perimeter Setback. Fifty (50) feet.
- (7) Hours of Operation. 12:00 noon to 2:00 a.m.

SR 7.3. Cinema Complex

- (1) Site Plan. Major *Site Plan* required in accordance with §42-330 (Major Site Plan Review).
- (2) Lighting. *Adequate lighting* shall be placed in areas used for vehicular/pedestrian access including, but not limited to: stairs, sidewalks, crosswalks, intersections, or changes in grade. *Lighting mitigation* required.

SR 7.4. Convenience Store

- (1) Site Plan. Major *Site Plan* required in accordance with §42-330 (Major Site Plan Review).
- (2) Lighting. *Adequate lighting* shall be placed in areas used for vehicular/pedestrian access including, but not limited to: stairs, sidewalks, crosswalks, intersections, or changes in grade. *Lighting mitigation* required.

SR 7.5. Entertainment Complex

- (1) Site Plan. Major *Site Plan* required in accordance with §42-330 (Major Site Plan Review).
- (2) Lighting. *Adequate lighting* shall be placed in areas used for vehicular/pedestrian access including, but not limited to: stairs, sidewalks, crosswalks, intersections, or changes in grade. *Lighting mitigation* required.
- (3) Perimeter Setback. One hundred (100) feet.
- (4) Dust Reduction. Unpaved *roads, travel ways* and/or parking areas shall be treated to prevent dust from adverse effects to adjacent properties.

SR 7.6. Flea Market

- (1) Site Plan. Major *Site Plan* required in accordance with §42-330 (Major Site Plan Review).
- (2) Lighting. *Adequate lighting* shall be placed in areas used for vehicular/pedestrian access including, but not limited to: stairs, sidewalks, crosswalks, intersections, or changes in grade. *Lighting mitigation* required.
- (3) Dust Reduction. Unpaved *roads, travel ways* and/or parking areas shall be treated to prevent dust from adverse effects to adjacent properties.

SR 7.7. Fuel Oil Distribution and Sales

- (1) Site Plan. Major *Site Plan* required in accordance with §42-330 (Major Site Plan Review).
- (2) Lighting. *Adequate lighting* shall be placed in areas used for vehicular/pedestrian access including, but not limited to: stairs, sidewalks, crosswalks, intersections, or changes in grade. *Lighting mitigation* required.
- (3) Dust Reduction. Unpaved *roads, travel ways* and/or parking areas shall be treated to prevent dust from adverse effects to adjacent properties.

SR 7.8. Landscaping Materials Sales and Storage

- (1) Site Plan. Major *Site Plan* required in accordance with §42-330 (Major Site Plan Review).
- (2) Lighting. *Adequate lighting* shall be placed in areas used for vehicular/pedestrian access including, but not limited to: stairs, sidewalks, crosswalks, intersections, or changes in grade. *Lighting mitigation* required.
- (3) Dust Reduction. Unpaved *roads, travel ways* and/or parking areas shall be treated to prevent dust from adverse effects to adjacent properties.

SR 7.9. Manufactured/Mobile Home Sales

- (1) Site Plan. Major *Site Plan* required in accordance with §42-330 (Major Site Plan Review).
- (2) Lighting. *Adequate lighting* shall be placed in areas used for vehicular/pedestrian access including, but not limited to: stairs, sidewalks, crosswalks, intersections, or changes in grade. *Lighting mitigation* required.
- (3) Separation. A *manufactured home sales* site shall not be constructed or newly located within 100 feet of an existing *dwelling unit* (located in a *residential zoning district* and not located on the same property as the *use*).
- (4) Lot Size. One or more acres.
- (5) Dust Reduction. Unpaved *roads, travel ways* and/or parking areas shall be treated to prevent dust from adverse effects to adjacent properties.
- (6) Structure. Display homes shall:
 - a. Have a minimum separation of at least ten (10) feet from one another;
 - b. Be level and blocked;
 - c. Be provided with continuous underpinning or landscaping; and
 - d. Be accessible via a well-constructed set of steps, made of a material other than loosely stacked brick or block.

SR 7.10. Motor Vehicle Sales or Leasing (Including automobile, motorcycle, boat and recreational sales and rental cars)

- (1) Site Plan. Major *Site Plan* required in accordance with §42-330 (Major Site Plan Review).
- (2) Lighting. *Adequate lighting* shall be placed in areas used for vehicular/pedestrian access including, but not limited to: stairs, sidewalks, crosswalks, intersections, or changes in grade. *Lighting mitigation* required.
- (3) Dust Reduction. Unpaved *roads, travel ways* and/or parking areas shall be treated to prevent dust from adverse effects to adjacent properties.

SR 7.11. Open Air Market

- (1) Site Plan. Major *Site Plan* required in accordance with §42-330 (Major Site Plan Review).
- (2) Lighting. *Adequate lighting* shall be placed in areas used for vehicular/pedestrian access including, but not limited to: stairs, sidewalks, crosswalks, intersections, or changes in grade. *Lighting mitigation* required.

SR 7.12. Parking Garage or Lot (requiring payment)

- (1) Site Plan. Major *Site Plan* required in accordance with §42-330 (Major Site Plan Review).
- (2) Lighting. *Adequate lighting* shall be placed in areas used for vehicular/pedestrian access including, but not limited to: stairs, sidewalks, crosswalks, intersections, or changes in grade. *Lighting mitigation* required.
- (3) Structure. A parking garage shall not exceed five (5) (above ground) levels.
- (4) Perimeter Setback. Twenty-five (25) feet.
- (5) Perimeter Buffer. A minimum of a *Buffer B1* shall be required for a parking garage (see §42-181 (Screen Classification)).

SR 7.13. Produce Stand

- (1) Site Plan. Major *Site Plan* required in accordance with §42-330 (Major Site Plan Review).
- (2) Lighting. *Adequate lighting* shall be placed in areas used for vehicular/pedestrian access including, but not limited to: stairs, sidewalks, crosswalks, intersections, or changes in grade. *Lighting mitigation* required.

SR 7.14. Retail Sales and Services Less than or Equal to 50,000 Square Feet (of Gross Floor Area)

- (1) Site Plan. Major *Site Plan* required in accordance with §42-330 (Major Site Plan Review).
- (2) Lighting. *Adequate lighting* shall be placed in areas used for vehicular/pedestrian access including, but not limited to: stairs, sidewalks, crosswalks, intersections, or changes in grade. *Lighting mitigation* required.

SR 7.15. Retail Sales and Services Greater than 50,000 Square Feet but Less than or Equal to 100,000 Square Feet (of Gross Floor Area)

- (1) Site Plan. Major *Site Plan* required in accordance with §42-330 (Major Site Plan Review).
- (2) Lighting. *Adequate lighting* shall be placed in areas used for vehicular/pedestrian access including, but not limited to: stairs, sidewalks, crosswalks, intersections, or changes in grade. *Lighting mitigation* required.
- (3) Separation. *Structures* shall not be placed within 75 feet of an existing *dwelling unit* (located in a *residential zoning district* and not located on the same property as the *use*).
- (4) Road Frontage. One hundred (100) or more feet.

- (5) Sign Areas. A minimum of 100 square feet of planted area (minimum five (5) foot width) shall be provided around the base of any freestanding *sign*.
- (6) Pedestrian Facilities. Sidewalks shall be a minimum of five (5) feet wide, excluding curb width.

SR 7.16. Retail Sales and Services Greater than 100,000 Square Feet but Less than or Equal to 150,000 Square Feet (of Gross Floor Area)

- (1) Site Plan. Major *Site Plan* required in accordance with §42-330 (Major Site Plan Review).
- (2) Lighting. *Adequate lighting* shall be placed in areas used for vehicular/pedestrian access including, but not limited to: stairs, sidewalks, crosswalks, intersections, or changes in grade. *Lighting mitigation* required.
- (3) Separation. *Structures* shall not be placed within 75 feet of an existing *dwelling unit* (located in a *residential zoning district* and not located on the same property as the *use*).
- (4) Road Frontage. One hundred (100) or more feet.
- (5) Sign Areas. A minimum of 100 square feet of planted area (minimum five (5) foot width) shall be provided around the base of any freestanding *sign*.
- (6) Pedestrian Facilities. Sidewalks shall be a minimum of five (5) feet wide, excluding curb width.

SR 7.17. Retail Sales and Services Greater than 150,000 Square Feet (of Gross Floor Area)

- (1) Site Plan. Major *Site Plan* required in accordance with §42-330 (Major Site Plan Review).
- (2) Lighting. *Adequate lighting* shall be placed in areas used for vehicular/pedestrian access including, but not limited to: stairs, sidewalks, crosswalks, intersections, or changes in grade. *Lighting mitigation* required.
- (3) Separation. *Structures* shall not be placed within 75 feet of an existing *dwelling unit* (located in a *residential zoning district* and not located on the same property as the *use*).
- (4) Road Frontage. One hundred (100) or more feet.
- (5) Sign Areas. A minimum of 100 square feet of planted area (minimum five (5) foot width) shall be provided around the base of any freestanding *sign*.
- (6) Pedestrian Facilities. Sidewalks shall be a minimum of five (5) feet wide, excluding curb width.

SR 7.18. Shopping Mall

- (1) *Site Plan*. Major *Site Plan* required in accordance with §42-330 (Major Site Plan Review).
- (2) Lighting. *Adequate lighting* shall be placed in areas used for vehicular/pedestrian access including, but not limited to: stairs, sidewalks, crosswalks, intersections, or changes in grade. *Lighting mitigation* required.
- (3) Separation. *Structures* shall not be placed within 75 feet of an existing *dwelling unit* (located in a *residential zoning district* and not located on the same property as the *use*).

- (4) Road Frontage. One hundred (100) or more feet.
- (5) Sign Areas. A minimum of 100 square feet of planted area (with a minimum width of five (5) feet) shall be provided around the base of any freestanding *sign*.
- (6) Pedestrian Facilities. Sidewalks shall be a minimum of five (5) feet wide, excluding curb width.

SR 7.19. Truck Stop

- (1) Site Plan. Major *Site Plan* required in accordance with §42-330 (Major Site Plan Review).
- (2) Lighting. *Adequate lighting* shall be placed in areas used for vehicular/pedestrian access including, but not limited to: stairs, sidewalks, crosswalks, intersections, or changes in grade. *Lighting mitigation* required.
- (3) Dust Reduction. Unpaved *roads, travel ways* and/or parking areas shall be treated to prevent dust from adverse effects to adjacent properties.
- (4) Separation. Truck stop facilities shall not be constructed or newly located within 100 feet of an existing *dwelling unit* (located in a *residential zoning district* and not located on the same property as the *use*), *school, library, day care facility, healthcare facility, park* and/or *religious institution*.
- (5) Lot Size. Two (2) or more acres.
- (6) Operations. Those *uses* which may be contained within the principal *building* shall include: convenience store, restaurant, TV/recreational lounge(s), restroom facilities and *dormitory* space.

8. WHOLESALE TRADE

SR 8.1. Wholesale Trade

- (1) Site Plan. Major *Site Plan* required in accordance with §42-330 (Major Site Plan Review).
- (2) Lighting. *Adequate lighting* shall be placed in areas used for vehicular/pedestrian access including, but not limited to: stairs, sidewalks, crosswalks, intersections, or changes in grade. *Lighting mitigation* required.
- (3) Dust Reduction. Unpaved *roads, travel ways* and/or parking areas shall be treated to prevent dust from adverse effects to adjacent properties.
- (4) Separation. A *wholesale trade structure* or storage area shall not be constructed or newly located within 100 feet of an existing *dwelling unit* (located in a *residential zoning district* and not located on the same property as the *use*).

9. TRANSPORTATION, WAREHOUSING, AND UTILITIES

SR 9.1. Airport (Private)

- (1) Site Plan. Major *Site Plan* required in accordance with §42-330 (Major Site Plan Review).

- (2) Lighting. *Adequate lighting* shall be placed in areas used for vehicular/pedestrian access including, but not limited to: stairs, sidewalks, crosswalks, intersections, or changes in grade. *Lighting mitigation* required.
- (3) Dust Reduction. Unpaved *roads, travel ways* and/or parking areas shall be treated to prevent dust from adverse effects to adjacent properties.
- (4) Separation. A *private airport* shall not be constructed or newly located within one-quarter (1/4) mile of an existing *school, library, day care facility* and/or *religious institution*.

SR 9.2. Airport (Public)

- (1) Site Plan. Major *Site Plan* required in accordance with §42-330 (Major Site Plan Review).
- (2) Lighting. *Adequate lighting* shall be placed in areas used for vehicular/pedestrian access including, but not limited to: stairs, sidewalks, crosswalks, intersections, or changes in grade. *Lighting mitigation* required.
- (3) Dust Reduction. Unpaved *roads, travel ways* and/or parking areas shall be treated to prevent dust from adverse effects to adjacent properties.
- (4) Certification, Licensure and Permitting. A *public airport* must provide proof of development approval from the Federal Aviation Administration.
- (5) Separation. A *public airport* shall not be constructed or newly located within:
 - a. One-quarter (1/4) mile of an existing *school, library, day care facility* and/or *religious institution*; and
 - b. Five hundred (500) feet of an existing *dwelling unit* (located in a *residential zoning district* and not located on the same property as the *use*).
- (6) Security. The aircraft movement areas of a *public airport* shall be totally enclosed by a security fence or wall at least eight (8) feet in height. Entrances and exits should be secured and locked during non-operating hours.

SR 9.3. Communication Facilities

- (1) General Standards.
 - a. Site Plan. Communication Facility *Site Plan* in accordance with §42-327 (Communication Facility Site Plan Review).
 - b. Certification, Licensure and Permitting. Prior to erecting, installing or operating a communication facility, a structural engineering certification certifying the integrity of the communication facility, shall be signed and sealed by a professional engineer.
 - c. Minor Modifications. Minor modifications are permitted and include any of the following:
 1. Increasing the existing vertical height of the structure by less than ten (10) percent or less than the height of one additional antenna array to the tower with separation from the nearest existing antenna not to exceed twenty (20) feet.
 2. Increasing the tower by twenty (20) feet or less in width or no more than the width of the support structure at the level of the new appurtenance (except where necessary to shelter the antenna from inclement weather or to connect the antenna to the tower via cable).

3. Increasing the existing equipment compound by 2,500 square feet or less.
 - d. Communication facilities proposed to be constructed in areas designated as *Protected Mountain Ridges* shall not exceed 100 feet in height.
 - e. Lighting. No permanent strobe lights shall be permitted on the *communication tower* unless required by local, state or federal laws pertaining to the establishment and operation of a communications facility. Ground level security lighting may be permitted if designed to minimize impacts on adjacent properties.
 - f. Noise. Unusual sound emissions, including but not limited to buzzers and alarms, shall not be permitted.
 - g. Screening. Screen Class Four (4) shall be provided consistent with the requirements of §42-181 (Screen Classification)).
 - h. Sign Standards. A *sign* which includes the name of the communication facility *owner(s)/operator(s)*, emergency telephone numbers and the assigned communication facility registration number shall be displayed in a visible location near the *structure*. A minimum of two (2) “warning/no trespassing” *signs* are required. The *Communication Facilities Administrator* may require additional signage (of the type described above) as needed. No other signage shall be permitted on the *communication tower site*.
 - i. Option to County on Collocation Opportunity. For all new *communication towers*, the *applicant* shall give the County the option of collocating, for governmental use, an *antenna* on the new *communication tower* at fair *market value*, if technically feasible and if requested by the County in writing within 30 days of the submission of a permit application.
- (2) Communication Facility Types. Communication facilities shall be broken into three (3) distinctive classes, as follows:
- a. *Category One (1) Communication Facilities* include the following:
 1. Towers and/or *antennas* constructed or permitted prior to the effective date of this Chapter; towers for residential, *amateur radio* or governmental *use* which are less than 90 feet in height; and towers less than 50 feet in height; and
 2. *Collocation antennas* on existing communications towers.
 - b. *Category Two (2) Communication Facilities* include the following:
 1. The location of *antennas* on *alternative structures*;
 2. Replacement towers; and
 3. Towers used for residential, *amateur radio* and/or governmental purposes 90 feet or greater in height; and all other towers 50 feet or greater in height.
 - c. *Category Three (3) Communications Facilities* include any and all towers 200 feet or greater in height.
- (3) Communication Facility Specific Standards. The following standards shall apply to the three categories of communication facilities:
- a. *Category One (1) Communication Facilities*:
 1. A *category one (1) communication facility* is permitted by right in all zoning districts.

2. Height. In no case will a *collocation* be permitted where the additional *antenna* height would cause category classification change of the proposed host *communication tower*.
- b. *Category Two (2) Communication Facilities*:
1. Height. In no event shall a replacement *communication tower* exceed the height of the existing *communication tower*. No tower shall exceed 200 feet in height. In addition, no communication facility (tower and/or *antenna*) affixed on an *alternative structure*, shall exceed 50 feet in height above the maximum height of the *alternative structure*. Final height of the *communication tower* and/or *antenna*, including *structure* height above highest grade level, must not exceed 200 feet.
 2. Replacement. Replacement *communication towers* must be placed as close to the existing *communication tower* as feasible, but in no case further than 100 feet from the existing *communication tower base*. The existing *communication tower* shall be removed within 90 days of completion of the replacement *communication tower*.
 3. Communication Tower Site. All *category two (2) communication facilities* must be located on a designated *communication tower site* or an approved *alternative structure*. At a minimum a *communication tower site* must: (1) encompass all components of the proposed project; (2) consist of a *lot of record* or deeded *easement*; and (3) accommodate all-weather movement of construction, maintenance and emergency response equipment to and from the site.
 4. Separation from Existing Communication Facilities. *Category two (2) communication facilities* must be a minimum of one-half ($\frac{1}{2}$) mile from any existing *communication facility category two (2) or three (3)* unless constructed on the same *communication tower site* (a *lot of record* or deeded *easement*) or *alternative structure*. A proposed *category two (2) communication facility (antenna)* will only be permitted on the same *communication tower site* or *alternative structures* as an existing communication facility when it has been proven that the proposed site is the only feasible location for providing coverage to the anticipated service area and all existing communication facilities are incapable of accommodating the proposed *antenna*.
 5. Separation from Existing Occupied Buildings. *Communication towers* must be constructed a minimum distance equivalent to 110 percent of the height of the proposed *communication tower* from existing occupied *structures*. *Communication towers* unable to conform to *occupied building* separation requirements may submit affidavits of understanding from the *owners* of property and/or *structures* within the 110 percent height radius in place of conforming to the separation standards. Affidavits of understanding shall state that the property *owners* do not object to the construction of the *communication tower* as proposed in the application, and agree to hold the County harmless from any and all liability for the location and construction of the *communication tower* as proposed in the application. Such affidavits should also site the specific

- plan or drawing reviewed by the property *owner*. Or the *applicant* can submit a *fall zone* letter, sealed by an engineer, identifying the towers specific fall radius. If *applicants* utilize the *fall zone letter* option, the *applicant* must also provide proof of liability insurance with a limit of liability of at least \$1 million by the owner of the Communication Facility and submit an as-built certification of the Communication Facility, showing that the Communication Facility was built in accord with the design as certified by the engineer, for permit closeout.
6. Stealth Designs. Communications towers and *antennas* on *alternative structures* in *residential zoning districts* must be constructed as stealth designs.
 7. Color. *Communication towers* not constructed as stealth designs must be a color that is consistent with *existing development* or natural conditions.
 8. Security. Adequate measures must be taken to ensure *antennas* on *alternative structures* are not potential sources of physical danger to the public.
 9. Design to Accommodate Additional User. All new *category two (2) communication towers* shall be designed to accommodate a minimum of three (3) communication *antenna* arrays.
- c. Category Three (3) Communication Facilities:
1. Communication Tower Site. All communication facilities must be located on a designated *communication tower site*. At a minimum a *communication tower site* must: (1) encompass all components of the proposed project, (2) consist of a *lot of record* or deeded *easement* and (3) accommodate all-weather movement of construction, maintenance and emergency response equipment to and from the site.
 2. Separation from Existing Communication Facilities. *Category three (3) communication facilities* must be a minimum of one (1) mile from any existing *communication facility category two (2) or three (3)* unless constructed on the same *communication tower site* (a *lot of record* or deeded *easement*). A proposed *category three (3) communication facility* will only be permitted on the same *communication tower site* as an existing communication facility when it has been proven that the proposed site is the only feasible location for providing coverage to the anticipated service area, and all existing communication facilities are incapable of accommodating the proposed *antenna*.
 3. Separation from Existing Occupied Buildings. *Communication towers* must be constructed a minimum distance equivalent to 110 percent of the height of the proposed *communication tower* from existing occupied *structures*. *Communication towers* unable to conform to *occupied building* separation requirements may submit affidavits of understanding from the *owners* of property and/or *structures* within the 110 percent height radius in place of conforming to the separation standards. Affidavits of understanding shall state that the property *owners* do not object to the construction of the *communication tower* as proposed in the application, and agree to hold the County harmless from any and all

liability for the location and construction of the *communication tower* as proposed in the application. Such affidavits should also site the specific plan or drawing reviewed by the property *owner*. Or the *applicant* can submit a *fall zone* letter, sealed by an engineer, identifying the towers specific fall radius. If *applicants* utilize the *fall zone letter* option, the *applicant* must also provide proof of liability insurance with a limit of liability of at least \$1 million by the owner of the Communication Facility and submit an as-built certification of the Communication Facility, showing that the Communication Facility was built in accord with the design as certified by the engineer, for permit closeout.

4. Stealth Designs. *Communication towers* in *residential zoning districts* must be constructed as stealth designs.
5. Color. *Communication towers* not constructed as stealth designs must be a color that is consistent with *existing development* or natural conditions.
6. Design to Accommodate Additional User. All new *category three (3) communication facilities* shall be designed to accommodate a minimum of four (4) communication *antenna* arrays.

SR 9.4. Hazardous Waste Disposal Facilities

- (1) Site Plan. Major *Site Plan* required in accordance with §42-330 (Major Site Plan Review).
- (2) Lighting. *Adequate lighting* shall be placed in areas used for vehicular/pedestrian access including, but not limited to: stairs, sidewalks, crosswalks, intersections, or changes in grade. *Lighting mitigation* required.
- (3) Dust Reduction. Unpaved *roads, travel ways* and/or parking areas shall be treated to prevent dust from adverse effects to adjacent properties.
- (4) Location. Hazardous waste disposal facilities are prohibited in a *Water Supply Watershed* Overlay District.
- (5) Separation. Hazardous waste disposal facilities shall not be constructed/newly located within:
 - a. One-and-one-half (1 ½) mile of an existing *residential zoning district, school, library, day care facility, extended care facility, healthcare facility* and/or *religious institution*; and
 - b. One (1) mile of an existing *dwelling unit* (located in a *residential zoning district* and not located on the same property as the *use*).
- (6) Security. The operations of hazardous waste disposal facilities shall be totally enclosed by: (1) a security fence at least eight (8) feet in height; (2) a wall at least eight (8) feet in height; or (3) a fireproof *building*. Entrances and exits should be secured and locked during non-operating hours.
- (7) Perimeter Setback. Fifteen hundred (1,500) feet.
- (8) Perimeter Buffer. Five hundred (500) feet.
- (9) Sedimentation Control. Permanent control measures are required to retain all non-compacted soils on site.

SR 9.5. Land Clearing Debris and Inert Debris Storage or Disposal

- (1) Site Plan. Major *Site Plan* required in accordance with §42-330 (Major Site Plan Review).
- (2) Lighting. *Adequate lighting* shall be placed in areas used for vehicular/pedestrian access including, but not limited to: stairs, sidewalks, crosswalks, intersections, or changes in grade. *Lighting mitigation* required.
- (3) Dust Reduction. Unpaved *roads, travel ways* and/or parking areas shall be treated to prevent dust from adverse effects to adjacent properties.
- (4) Certification, Licensure and Permitting. The *owner* of a land clearing debris and inert debris *landfill* shall file with the Henderson County Registrar of Deeds Office, a certified survey depicting the property on which the *landfill* is located, including the site and extent of the actual debris deposit.
- (5) Location. *Land clearing debris and inert debris landfills* may be permitted in the *Water Supply Watershed Protection Overlay District* if the *applicant* can demonstrate that there will be no adverse effects from the *landfill* on public water supplies. *Land clearing debris and inert debris landfills* shall not be permitted in the 100-year *floodplain*.
- (6) Perimeter Setback. One hundred (100) feet.
- (7) Operations. Where feasible, debris reduction methods such as chipping and mulching (using portable equipment) shall be utilized to reduce the amount of debris permanently withheld on site.
- (8) *Sedimentation Control*. Permanent control measures are required to retain all non-compacted soils on-site.
- (9) Future Development. No *structure* shall be constructed within 100 feet of a debris deposit following the closure of a land clearing debris and inert debris *landfill*.
- (10) Hours of Operation. 6:00 a.m. to 10:00 p.m. (except where requested by the Henderson County Emergency Management Coordinator in response to a period of inclement weather).

SR 9.6. Rail Transportation Facilities and Support Activities

- (1) Site Plan. Major *Site Plan* required in accordance with §42-330 (Major Site Plan Review).
- (2) Lighting. *Adequate lighting* shall be placed in areas used for vehicular/pedestrian access including, but not limited to: stairs, sidewalks, crosswalks, intersections, or changes in grade. *Lighting mitigation* required.
- (3) Dust Reduction. Unpaved *roads, travel ways* and/or parking areas shall be treated to prevent dust from adverse effects to adjacent properties.

SR 9.7. Self Storage Warehousing, Mini-Warehouses (for Commercial District)

- (1) Site Plan. Major *Site Plan* required in accordance with §42-330 (Major Site Plan Review).
- (2) Lighting. *Adequate lighting* shall be placed in areas used for vehicular/pedestrian access including, but not limited to: stairs, sidewalks, crosswalks, intersections, or changes in grade. *Lighting mitigation* required.
- (3) Separation. Self storage warehousing, mini-warehouses *structures* shall not be constructed within 100 feet of any adjacent existing *dwelling unit* (located in a *residential zoning district* and not located on the same property as the *use*).

- (4) Structure. Garage/storage bays shall be oriented away from the public *right-of-way* where possible.
- (5) Operations. The mini-warehouse units shall be used for “dead” storage only (no commercial enterprise can be conducted from an individual unit or units and no *wholesale trade* or retail sales shall be permitted).
- (6) Lighting. Exterior lighting shall not exceed ten (10) feet in height.
- (7) Street Trees. Street *trees* shall be provided in accordance with Article V. Landscape Design Standards, Subpart C. Street Tree Requirements (Major Subdivisions).
- (8) Outdoor Storage. Open storage of *recreational vehicles* and dry storage of pleasure boats shall constitute an *outdoor storage* (see SR 2.9 and SR 2.10 (Outdoor Storage)).

SR 9.8. Septic Tank and Related Services

- (1) Site Plan. Major *Site Plan* required in accordance with §42-330 (Major Site Plan Review).
- (2) Lighting. *Adequate lighting* shall be placed in areas used for vehicular/pedestrian access including, but not limited to: stairs, sidewalks, crosswalks, intersections, or changes in grade. *Lighting mitigation* required.

SR 9.9. Solar Energy Generation Facility

- (1) Site Plan. Major *Site Plan* required in accordance with §42-330 (Major Site Plan Review). The site plan shall include ground level profile drawings of the typical structures proposed and the designed wind and ground snow loads.
- (2) Dust Reduction. Unpaved *roads, travel ways* and/or parking areas shall be treated to prevent dust from adverse effects to adjacent properties.
- (3) Perimeter Setback. All structures and components shall be a minimum of twenty (20) feet from property lines. Necessary ingress and egress for vehicles and utility & transmission lines may be located within the perimeter setback. Fences may be placed within the perimeter setback.
- (4) Height. Systems, equipment and structures shall not exceed twenty-five (25) feet in height when ground mounted. Roof mounted systems shall not exceed the maximum height for the applicable zoning district.
- (5) Screening. Screen Class One (1), Two (2), Three (3), or Four (4) shall be provided along sides of the facility which are adjacent to a residential use (as identified in Section 1 of 42-61, Table of Permitted and Special Uses) on a separate parcel, consistent with 42-181 (Screen Classification). Where screening is required, screening shall be placed on the exterior side of fencing. Buffer Requirements, as specified by Article V Subpart A, shall not apply to Solar Energy Generation Facilities unless the Solar Energy Generation Facility is not permitted in the zoning district adjacent to the site.
- (6) Scenic Byways. Solar energy Generation Facilities shall not be permitted on sites visible from Scenic Byways as designated by the North Carolina Department of Transportation or Henderson County.
- (7) Security. Solar Energy Generation Facilities shall be completely enclosed within:
 - a. a woven wire fence; or
 - b. a masonry wall; or
 - c. a wooden fence that contains spacing no greater than six (6) inches.

- Such fences shall be at least six (6) feet in height.
- (8) Power Transmission Lines. To the extent practical, all new power transmission lines to any building, structure or utility connection shall be located underground. Existing above ground utility lines shall be allowed to remain in their current location.
 - (9) Electrical Disconnection Switch. The electrical disconnect switch shall be clearly marked and unobstructed. Switches are permitted to be secured within a fenced area or building.
 - (10) Wind and Snow Loads. All equipment and structures shall comply with the N.C. State Building Code requirements for survival wind speeds and ground snow loads for buildings. Although the N.C. State Building Code may require such load designs for only buildings, all structures and equipment associated with this use shall meet those same wind and snow load requirements. Note that such requirements vary based on the elevation and location of the site. The Zoning Administrator shall require a certification from a structural engineer, licensed in North Carolina as a professional engineer, stating the designed wind and snow load standards for equipment and structures have been constructed according to the State Building Code and will meet the following:
 - a. Structures and buildings will meet a minimum wind survival speed of 90 m.p.h.; and
 - b. Structures and buildings will meet a minimum snow load of 15 lbs. per square foot.
 - (11) Principal Structure. A principal structure, other than the solar collectors, is permitted but not required.
 - (12) *Special Flood Hazard Area*. No structures, equipment, storage or buildings shall be located within the *Special Flood Hazard Area*.
 - (13) Lighting. *Lighting Mitigation* is required.

SR 9.10. Solid Waste Combustors and Incinerators

- (1) Site Plan. Major *Site Plan* required in accordance with §42-330 (Major Site Plan Review).
- (2) Lighting. *Adequate lighting* shall be placed in areas used for vehicular/pedestrian access including, but not limited to: stairs, sidewalks, crosswalks, intersections, or changes in grade. *Lighting mitigation* required.
- (3) Dust Reduction. Unpaved *roads, travel ways* and/or parking areas shall be treated to prevent dust from adverse effects to adjacent properties.
- (4) Separation. A solid waste incinerator shall not be constructed or newly located within:
 - a. One (1) mile of an existing *school, library, day care facility, healthcare facility and/or religious institution*; and
 - b. Fifteen hundred (1,500) feet of an existing *dwelling unit* (located in a *residential zoning district* and not located on the same property as the *use*).
- (5) Security. The operations of a solid waste combustor and incinerator shall be totally enclosed by: (1) a security fence at least eight (8) feet in height; (2) a wall at least eight (8) feet in height; or (3) a fireproof *building*. Entrances and exits should be secured and locked during non-operating hours.

- (6) Perimeter Setback. Two hundred fifty (250) feet (for a public or private *landfill*) and 200 feet is required for a solid waste incinerator. (Storage of debris, equipment, and other materials shall not be permitted in the *perimeter setback*).
- (7) Perimeter Buffer. Seventy-five (75) feet.

SR 9.11. Solid Waste Facility, County Owned/Operated

- (1) Site Plan. Major *Site Plan* required in accordance with §42-330 (Major Site Plan Review).
- (2) Lighting. *Adequate lighting* shall be placed in areas used for vehicular/pedestrian access including, but not limited to: stairs, sidewalks, crosswalks, intersections, or changes in grade. *Lighting mitigation* required.
- (3) Dust Reduction. Unpaved *roads, travel ways* and/or parking areas shall be treated to prevent dust from adverse effects to adjacent properties.
- (4) Security. The operations of a waste collection and transfer facility shall be totally enclosed by: (1) a security fence at least eight (8) feet in height; (2) a wall at least eight (8) feet in height; or (3) a fireproof *building*. Entrances and exits should be secured and locked during non-operating hours.
- (5) Perimeter Setback. One hundred and fifty (150) feet from a *residential zoning district*. Necessary ingress and egress to the proposed use (s) may be located within the perimeter setback.
- (6) Perimeter Buffer. A B2 buffer as described in Article V (Landscape Design Standards), Subpart A (Buffer Requirements) is required around the perimeter boundary of the site, the operational area(s), or any combination thereof. Preserved existing trees may be credited toward the required buffer.
- (7) Sedimentation Control. Permanent control measures are required to retain all non-compacted soils on site.
- (8) Operations. Where feasible, debris reduction methods such as chipping and mulching (using portable equipment) shall be utilized to reduce the amount of debris permanently withheld on site.
- (9) Gross Floor Area. Current and future County Owned/Operated Solid Waste Facilities are exempt from the underlying zoning district *gross floor area* maximums.

SR 9.12. Transit and Ground Passenger Transportation

- (1) Site Plan. Major *Site Plan* required in accordance with §42-0 (Major Site Plan Review).
- (2) Lighting. *Adequate lighting* shall be placed in areas used for vehicular/pedestrian access including, but not limited to: stairs, sidewalks, crosswalks, intersections, or changes in grade. *Lighting mitigation* required.

SR 9.13. Truck Terminals

- (1) Site Plan. Major *Site Plan* required in accordance with §42-330 (Major Site Plan Review).
- (2) Lighting. *Adequate lighting* shall be placed in areas used for vehicular/pedestrian access including, but not limited to: stairs, sidewalks, crosswalks, intersections, or changes in grade. *Lighting mitigation* required.

- (3) Dust Reduction. Unpaved *roads, travel ways* and/or parking areas shall be treated to prevent dust from adverse effects to adjacent properties.

SR 9.14. Utility Substations

- (1) Site Plan. Major *Site Plan* required in accordance with §42-330 (Major Site Plan Review).
- (2) Lighting. *Lighting mitigation* required.
- (3) Separation. *Utility substations* shall not be placed within 75 feet of an existing *dwelling unit* (located in a *residential zoning district* and not located on the same property as the *use*).
- (4) Security. Transformer stations shall be enclosed by a woven wire fence at least eight (8) feet in height. Other utility stations shall be completely enclosed either by a *building* or a wire fence at least eight (8) feet in height.
- (5) Screening. Screen Class One (1), Two (2), Three (3) or Four (4) shall be provided where the *structure footprint* exceeds 200 square feet if adjacent to an existing residential use, consistent with the requirements of §42-181 (Screen Classification).

SR 9.15. Warehousing and Storage (Excluding Warehousing of Hazardous Substances)

- (1) Site Plan. Major *Site Plan* required in accordance with §42-330 (Major Site Plan Review).
- (2) Lighting. *Adequate lighting* shall be placed in areas used for vehicular/pedestrian access including, but not limited to: stairs, sidewalks, crosswalks, intersections, or changes in grade. *Lighting mitigation* required.
- (3) Dust Reduction. Unpaved *roads, travel ways* and/or parking areas shall be treated to prevent dust from adverse effects to adjacent properties.

SR 9.16. Waste Collection and Transfer Facility (Hazardous)

- (1) Site Plan. Major *Site Plan* required in accordance with §42-330 (Major Site Plan Review).
- (2) Lighting. *Adequate lighting* shall be placed in areas used for vehicular/pedestrian access including, but not limited to: stairs, sidewalks, crosswalks, intersections, or changes in grade. *Lighting mitigation* required.
- (3) Dust Reduction. Unpaved *roads, travel ways* and/or parking areas shall be treated to prevent dust from adverse effects to adjacent properties.
- (4) Location. Hazardous *waste collection and transfer facilities* are prohibited in a *Water Supply Watershed Overlay Districts*.
- (5) Separation. *Hazardous waste collection and transfer facilities* shall not be constructed/newly located within:
 - a. One (1) mile of an existing *residential zoning district, school, library, day care facility, healthcare facility and/or religious institution*; and
 - b. Fifteen hundred (1,500) feet of an existing *dwelling unit* (located in a *residential zoning district* and not located on the same property as the *use*).
- (6) Security. The operations of a *hazardous waste collection and transfer facility* shall be totally enclosed by: (1) a security fence at least eight (8) feet in height; (2) a wall at least eight (8) feet in height; or (3) a fireproof *building*. Entrances and exits should be secured and locked during non-operating hours.

- (7) Perimeter Setback. Five hundred (500) feet.
- (8) Perimeter Buffer. Two hundred (200) feet.
- (9) Containment. The transfer facility must include a containment system designed to prevent the spread of contaminants onto other properties, waterways or drainageways.

SR 9.17. Waste Collection and Transfer Facility (Non-hazardous)

- (1) Site Plan. Major *Site Plan* required in accordance with §42-330 (Major Site Plan Review).
- (2) Lighting. *Adequate lighting* shall be placed in areas used for vehicular/pedestrian access including, but not limited to: stairs, sidewalks, crosswalks, intersections, or changes in grade. *Lighting mitigation* required.
- (3) Dust Reduction. Unpaved *roads, travel ways* and/or parking areas shall be treated to prevent dust from adverse effects to adjacent properties.
- (4) Separation. A *non-hazardous waste collection and transfer facility* shall not be constructed or newly located within 1,000 feet of an existing *dwelling unit* (located in a *residential zoning district* and not located on the same property as the use), *school, library, day care facility, healthcare facility* and/or *religious institution*.
- (5) Security. The operations of a *non-hazardous waste collection and transfer facility* shall be totally enclosed by: (1) a security fence at least eight (8) feet in height; (2) a wall at least eight (8) feet in height; or (3) a fireproof *building*. Entrances and exits should be secured and locked during non-operating hours.

SR 9.18. Wastewater Treatment Plant

- (1) Site Plan. Major *Site Plan* required in accordance with §42-330 (Major Site Plan Review).
- (2) Security. The operations of a *wastewater treatment plant* shall be totally enclosed by: (1) a security fence at least eight (8) feet in height; (2) a wall at least eight (8) feet in height; or (3) a fireproof *building*. Entrances and exits should be secured and locked.
- (3) Screening. Screen Class Three (3) shall be provided consistent with the requirements of §42-181 (Screen Classification).

SR 9.19. Water Treatment Plant

- (1) Site Plan. Major *Site Plan* required in accordance with §42-330 (Major Site Plan Review).
- (2) Lighting. *Adequate lighting* shall be placed in areas used for vehicular/pedestrian access including, but not limited to: stairs, sidewalks, crosswalks, intersections, or changes in grade. *Lighting mitigation* required.
- (3) Separation. A water treatment plant shall not be constructed or newly located within 500 feet of an existing *dwelling unit* (located in a *residential zoning district* and not located on the same property as the use).

10. MANUFACTURING AND INDUSTRIAL USES

SR 10.1. Asphalt Plant

A. *Asphalt Plant*

- (1) Site Plan. Major *Site Plan* required in accordance with §42-330 (Major Site Plan Review).
- (2) Lighting. *Adequate lighting* shall be placed in areas used for vehicular/pedestrian access including, but not limited to: stairs, sidewalks, crosswalks, intersections, or changes in grade. *Lighting mitigation* required.
- (3) Dust Reduction. Unpaved *roads, travel ways* and/or parking areas shall be treated to prevent dust from adverse effects to adjacent properties.
- (4) Separation. An *asphalt plant* shall not be constructed or newly located within:
 - a. One-half (½) mile of an existing *school, library, day care facility, healthcare facility and/or religious institution*; and
 - b. Five hundred (500) feet of an existing *dwelling unit* (located in a *residential zoning district* and not located on the same property as the *use*).
- (5) Perimeter Setback. One hundred (100) feet.
- (6) Security. The operations of an *asphalt plant* shall be totally enclosed by: (1) a security fence or wall at least eight (8) feet in height; or (2) a fireproof *building*. Entrances and exits should be secured and locked during non-operating hours.

B. Existing *Hot Mix Asphalt Plant* inside a State Mining Permit Boundary

- (1) Site Plan. Major *Site Plan* required in accordance with §42-330 (Major Site Plan Review).
- (2) Lighting. *Adequate lighting* shall be placed in areas used for vehicular/pedestrian access including, but not limited to: stairs, sidewalks, crosswalks, intersections, or changes in grade. *Lighting mitigation* required.
- (3) Dust Reduction. Unpaved *roads, travel ways* and/or parking areas shall be treated to prevent dust from adverse effects to adjacent properties.
- (4) Separation. Except where an existing *hot mix asphalt plant* is located within the State Mining Permit Boundary of an active mine operating pursuant to a State Mining Permit, a *hot mix asphalt plant* shall not be constructed or newly located within:
 - a. One-half (½) mile of an existing *school, library, day care facility, healthcare facility and/or religious institution*; and
 - b. Five hundred (500) feet of an existing *dwelling unit* (located in a *residential zoning district* and not located on the same property as the *use*).
 - c. *Hot mix asphalt plants* located inside Mine Permit Boundaries require no setbacks to other uses within the permit boundary.
- (5) Perimeter Setback. One hundred (100) feet.
- (6) Security. The operations of a *hot mix asphalt plant* shall be totally enclosed by: (1) a security fence, wall or berm at least eight (8) feet in height; or (2) a fireproof *building*. Entrances and exits should be secured and locked during non-operating hours.

SR 10.2. Battery Manufacturing Facility

- (1) Site Plan. Major *Site Plan* required in accordance with §42-330 (Major Site Plan Review).
- (2) Lighting. *Adequate lighting* shall be placed in areas used for vehicular/pedestrian access including, but not limited to: stairs, sidewalks, crosswalks, intersections, or changes in grade. *Lighting mitigation* required.

- (3) Dust Reduction. Unpaved *roads, travel ways* and/or parking areas shall be treated to prevent dust from adverse effects to adjacent properties.
- (4) Separation. A battery manufacturing facility shall not be constructed or newly located within:
 - a. One-half ($\frac{1}{2}$) mile of an existing *school, library, day care facility, healthcare facility and/or religious institution*; and
 - b. Five hundred (500) feet of an existing *dwelling unit* (located in a *residential zoning district* and not located on the same property as the *use*).
- (5) Security. The operations of a battery manufacturing facility shall be totally enclosed by: (1) a security fence at least eight (8) feet in height; (2) a wall at least eight (8) feet in height; or (3) a fireproof *building*. Entrances and exits should be secured and locked during non-operating hours.
- (6) Perimeter Setback. One hundred (100) feet.

SR 10.3. Chip Mill

- (1) Site Plan. Major *Site Plan* required in accordance with §42-330 (Major Site Plan Review).
- (2) Lighting. *Adequate lighting* shall be placed in areas used for vehicular/pedestrian access including, but not limited to: stairs, sidewalks, crosswalks, intersections, or changes in grade. *Lighting mitigation* required.
- (3) Dust Reduction. Unpaved *roads, travel ways* and/or parking areas shall be treated to prevent dust from adverse effects to adjacent properties.
- (4) Separation. A *chip mill* shall not be constructed or newly located within:
 - a. One-quarter ($\frac{1}{4}$) mile of an existing *school, library, day care facility, healthcare facility, park and/or religious institution*; and
 - b. Five hundred (500) feet of an existing *dwelling unit* (located in a *residential zoning district* and not located on the same property as the *use*).
- (5) Security. The operations of a *chip mill* (including equipment) shall be totally enclosed by: (1) a security fence at least eight (8) feet in height; (2) a wall at least eight (8) feet in height; or (3) a fireproof *building*. Entrances and exits should be secured and locked during non-operating hours.
- (6) Perimeter Setback. Fifty (50) feet.
- (7) Disposal of Debris. Disposal of excess inert debris is prohibited on-site unless operation is in compliance with development standards for *land clearing debris and inert debris storage or disposal* operations (see SR 9.5 (Land Clearing Debris and Inert Debris Storage or Disposal) for standards).

SR 10.4. Concrete Batch Plant

A. Concrete Batch Plant

- (1) Site Plan. Major *Site Plan* required in accordance with §42-330 (Major Site Plan Review).
- (2) Lighting. *Adequate lighting* shall be placed in areas used for vehicular/pedestrian access including, but not limited to: stairs, sidewalks, crosswalks, intersections, or changes in grade. *Lighting mitigation* required.
- (3) Dust Reduction. Unpaved *roads, travel ways* and/or parking areas shall be treated to prevent dust from adverse effects to adjacent properties.

- (4) Separation. A concrete batch plant shall not be constructed or newly located within:
 - a. One thousand (1,000) feet of an existing *school, library, day care facility, healthcare facility, park and/or religious institution*; and
 - b. Three hundred (300) feet of an existing *dwelling unit* (located in a *residential zoning district* and not located on the same property as the *use*).
- (5) Security. The operations of a concrete batch plant shall be totally enclosed by: (1) a security fence at least eight (8) feet in height; (2) a wall at least eight (8) feet in height; or (3) a fireproof *building*. Entrances and exits should be secured and locked during non-operating hours.
- (6) Dust Reduction. Unpaved *roads, travel ways* and/or parking areas shall be treated to prevent dust from adverse effects to adjacent properties.

B. Existing Concrete Batch Plant inside a State Mining Permit Boundary

- (1) Site Plan. Major *Site Plan* required in accordance with §42-330 (Major Site Plan Review).
- (2) Lighting. *Adequate lighting* shall be placed in areas used for vehicular/pedestrian access including, but not limited to: stairs, sidewalks, crosswalks, intersections, or changes in grade. *Lighting mitigation* required.
- (3) Dust Reduction. Unpaved *roads, travel ways* and/or parking areas shall be treated to prevent dust from adverse effects to adjacent properties.
- (4) Separation. Except where an existing concrete batch plant is located within the State Mine Permit Boundary of an active mine operating pursuant to a State Mining Permit, a concrete batch plant shall not be constructed or newly located within:
 - a. One thousand (1,000) feet of an existing *school, library, day care facility, healthcare facility, park and/or religious institution*; and
 - b. Three hundred (300) feet of an existing *dwelling unit* (located in a *residential zoning district* and not located on the same property as the *use*).
 - c. Concrete batch plants located inside State Mining Permit Boundaries require no setbacks to other uses within the permit boundary.
- (5) Security. The operations of a concrete batch plant shall be totally enclosed by: (1) a security fence at least eight (8) feet in height; (2) a wall or berm at least eight (8) feet in height; or (3) a fireproof *building*. Entrances and exits should be secured and locked during non-operating hours.
- (6) Dust Reduction. Unpaved *roads, travel ways* and/or parking areas shall be treated to prevent dust from adverse effects to adjacent properties.

SR 10.5. Cryptocurrency Mining

- (1) Site Plan. Major *Site Plan* required in accordance with §42-330 (Major Site Plan Review).
- (2) Perimeter Setback. One hundred (100) feet.
- (3) Separation. *Cryptocurrency mining operations* shall not be constructed or newly located within 2 miles (measurements from the property line of the proposed facility to the property line of the district/use) of an existing *dwelling unit* (not located on the same property as the use), residential zoning district, library, nursing facility; domiciliary care facility, day care facility, park, religious institution (including

- accessory uses not located on the same lot, but contiguous to the principal place of worship), or school, all distances in straight-line distance.
- (4) Hours of Operation. *Cryptocurrency mining operations* shall not be mined between the hours of 9:00 pm to 6:00 am, or anytime on Sunday.
 - (5) Noise Restrictions. Noise pollution generated from *cryptocurrency mining operations* shall not exceed 50 decibels (cumulative for operation) measured within a 100-ft buffer from the facilities perimeter. The equipment in a cryptocurrency operation shall be calibrated every six (6) months and a yearly report of these calibrations shall be provided to the Henderson County Zoning Administrator.
 - (6) Scenic Byways. *Cryptocurrency mining operations* shall not be permitted on sites visible from Scenic Byways as designated by the North Carolina Department of Transportation.
 - (7) Security. *Cryptocurrency mining operations* shall be completely enclosed with a NCDOT approved precast sound wall. The wall shall be at least eight (8) feet in height. A B2 buffer is required on all exterior sides of the security wall.
 - (8) Electrical Disconnection Switch. The electrical disconnect switch shall be clearly marked and unobstructed. Switches are permitted to be secured within a fenced area or building. Duke Energy or any other power utility provider to the operation shall have access to the disconnection switch at all times or an onsite manger must be present at all times.
 - (9) Power of Transmission Lines. All new power transmission lines to any building, structure or utility connection shall be located underground.
 - (10) Special Flood Hazard Area. No structures, equipment, storage, or buildings shall be located within the Special *Flood Hazard Area*.
 - (11) Lightning. *Lighting mitigation* is required.
 - (12) Prohibited. The use may not be applied for as a conditional rezoning application.

SR 10.6. Junkyard

- (1) Site Plan. Major *Site Plan* required in accordance with §42-330 (Major Site Plan Review).
- (2) Lighting. *Adequate lighting* shall be placed in areas used for vehicular/pedestrian access including, but not limited to: stairs, sidewalks, crosswalks, intersections, or changes in grade. *Lighting mitigation* required.
- (3) Separation. A *junkyard* shall not be constructed or newly located within:
 - a. One-half ($\frac{1}{2}$) mile of an existing *school, library, day care facility, extended care facility, healthcare facility and/or religious institution*; and
 - b. Three hundred (300) feet of an existing *dwelling unit*.
- (4) Security. The operations of a *junkyard* shall be totally enclosed by: (1) a security fence or wall at least eight (8) feet in height. Entrances and exits should be secured and locked during non-operating hours.
- (5) Perimeter Setback. Fifty (50) feet.
- (6) Dust Reduction. Unpaved *roads, travel ways* and/or parking areas shall be treated to prevent dust from adverse effects to adjacent properties.
- (7) Screening. Screen Class Three (3) or Four (4) shall be provided consistent with the requirements of §42-181 (Screen Classification).
- (8) Hours of Operation. 6:00 a.m. to 10:00 p.m.

SR 10.7. Landfill (Public/Private)

- (1) Site Plan. Major *Site Plan* required in accordance with §42-330 (Major Site Plan Review).
- (2) Lighting. *Adequate lighting* shall be placed in areas used for vehicular/pedestrian access including, but not limited to: stairs, sidewalks, crosswalks, intersections, or changes in grade. *Lighting mitigation* required.
- (3) Dust Reduction. Unpaved *roads, travel ways* and/or parking areas shall be treated to prevent dust from adverse effects to adjacent properties.
- (4) Location. *Landfills* are prohibited in the *Water Supply Watershed* Overlay Districts.
- (5) Separation. A *landfill* shall not be constructed or newly located within:
 - a. One (1) mile of an existing *school, library, day care facility, healthcare facility* and/or *religious institution*; and
 - b. Fifteen hundred (1,500) feet of an existing *dwelling unit* (located in a *residential zoning district* and not located on the same property as the *use*).
- (6) Security. The operations of a *landfill* shall be totally enclosed by a security fence or wall at least eight (8) feet in height. Entrances and exits should be secured and locked during non-operating hours.
- (7) Perimeter Setback. Two hundred fifty (250) feet.
- (8) Perimeter Buffer. Seventy-five (75) feet.
- (9) *Sedimentation* Control. Permanent control measures are required to retain all non-compacted soils on-site.
- (10) Hours of Operation. 6:00 a.m. to 9:00 p.m.

SR 10.8. Machining and Assembly Operations

- (1) Site Plan. Major *Site Plan* required in accordance with §42-330 (Major Site Plan Review).
- (2) Lighting. *Adequate lighting* shall be placed in areas used for vehicular/pedestrian access including, but not limited to: stairs, sidewalks, crosswalks, intersections, or changes in grade. *Lighting mitigation* required.
- (3) Dust Reduction. Unpaved *roads, travel ways* and/or parking areas shall be treated to prevent dust from adverse effects to adjacent properties.

SR 10.9. Manufacturing and Production Operations

- (1) Site Plan. Major *Site Plan* required in accordance with §42-330 (Major Site Plan Review).
- (2) Lighting. *Adequate lighting* shall be placed in areas used for vehicular/pedestrian access including, but not limited to: stairs, sidewalks, crosswalks, intersections, or changes in grade. *Lighting mitigation* required.
- (3) Dust Reduction. Unpaved *roads, travel ways* and/or parking areas shall be treated to prevent dust from adverse effects to adjacent properties.

SR 10.10. Materials Recovery Facilities (Recycling)

- (1) Site Plan. Major *Site Plan* required in accordance with §42-330 (Major Site Plan Review).

- (2) Lighting. *Adequate lighting* shall be placed in areas used for vehicular/pedestrian access including, but not limited to: stairs, sidewalks, crosswalks, intersections, or changes in grade. *Lighting mitigation* required.
- (3) Dust Reduction. Unpaved *roads, travel ways* and/or parking areas shall be treated to prevent dust from adverse effects to adjacent properties.
- (4) Separation. A materials recovery facility shall not be constructed or newly located within one-half (½) mile of an existing *school, library, day care facility, healthcare facility* and/or *religious institution*.
- (5) Security. The operations of a materials recovery facility shall be totally enclosed by:
(1) a security fence at least eight (8) feet in height; (2) a wall at least eight (8) feet in height; or (3) a fireproof *building*. Entrances and exits should be secured and locked during non-operating hours.
- (6) Perimeter Setback. One hundred (100) feet.
- (7) Hours of Operation. 6:00 a.m. to 9:00 p.m.

SR 10.11. Mining and Extraction Operations

A. Mining Operations Permitted and Constructed Prior to 2007

- (1) Application. SR 10.11(A) applies to mines that existed prior to September 19, 2007, to facilitate and protect reasonable expansion of pre-existing investments and operations.
- (2) State Mining Permit. All mining operations shall be governed by the restrictions and allowances of the owner or operator's State Mining Permit.
- (3) Expansion. Mines may be expanded to adjacent tracts subject to pre-2007 setbacks and subject to the following restrictions:
 - a. If the adjacent tracts are zoned Industrial District, the tracts may be used for all operations allowed by the State Mining Permit.
 - b. If the adjacent tracts are not zoned Industrial District, the adjacent tracts may be used for the storage of overburden only. No mineral extraction or blasting shall be allowed on adjacent tracts not zoned Industrial District.
- (4) Accessory Uses. The following activities shall be considered accessory uses to mining extraction if established within the State Mining Permit Boundary: a) aggregate production; b) stockpiling; c) shipping; d) maintenance and office operations; e) overburden storage; and f) recycling and reuse of concrete and asphalt materials to aggregates.
- (5) Vesting. A mine shall be vested for all operations allowed in its State Mining Permit. If a mine is expanded to adjacent properties, an owner or operator may seek a vested rights determination pursuant to LDC sections 42-363 and 42-364 and consistent with rights established in N.C. Gen. Stat. §160D-108 and §108.1.
- (6) Relocation. All primary and accessory uses and any other existing and vested uses may be relocated to other areas within the State Mining Permit Boundary as identified in the State Mining Permit.

B. Mining Operations Established After 2007

- (1) Site Plan. Major *Site Plan* required in accordance with §42-330 (Major Site Plan Review).

- (2) Lighting. *Adequate lighting* shall be placed in areas used for vehicular/pedestrian access including, but not limited to: stairs, sidewalks, crosswalks, intersections, or changes in grade. *Lighting mitigation* required.
- (3) Dust Reduction. Unpaved *roads, travel ways* and/or parking areas shall be treated to prevent dust from adverse effects to adjacent properties.
- (4) Separation. A *mining or extraction operation* shall not be constructed or newly located within:
 - a. One-half (½) mile of an existing *school, library, day care facility, healthcare facility and/or religious institution*; and
 - b. One thousand (1,000) feet of an existing *dwelling unit* (located in a *residential zoning district* and not located on the same property as the *use*).
- (5) Security. The operations of a *mining and extraction operation* shall be totally enclosed by a security fence or wall at least eight (8) feet in height. Entrances and exits should be secured and locked during non-operating hours.
- (6) Perimeter Setback. One hundred (100) feet.
- (7) Operations. A plan outlining rehabilitation procedures and financing options for restoration of the mining or extraction site is required. Within two (2) years after the cessation of a *mining or extraction operation*, rehabilitation processes must be complete.
- (8) Sedimentation Control. Permanent control measures are required to retain all non-compacted soils on site.

SR 10.12. Packaging and Labeling Services

- (1) Site Plan. Major *Site Plan* required in accordance with §42-330 (Major Site Plan Review).
- (2) Lighting. *Adequate lighting* shall be placed in areas used for vehicular/pedestrian access including, but not limited to: stairs, sidewalks, crosswalks, intersections, or changes in grade. *Lighting mitigation* required.

SR 10.13. Pesticide, Fertilizer and Other Agricultural Chemical Manufacturing

- (1) Site Plan. Major *Site Plan* required in accordance with §42-330 (Major Site Plan Review).
- (2) Lighting. *Adequate lighting* shall be placed in areas used for vehicular/pedestrian access including, but not limited to: stairs, sidewalks, crosswalks, intersections, or changes in grade. *Lighting mitigation* required.
- (3) Dust Reduction. Unpaved *roads, travel ways* and/or parking areas shall be treated to prevent dust from adverse effects to adjacent properties.
- (4) Separation. A *pesticide, fertilizer and other agricultural chemical manufacturing use* shall not be constructed or newly located within one-half (½) mile of an existing *school, library, day care facility, healthcare facility and/or religious institution*.
- (5) Security. The operations of a *pesticide, fertilizer and other agricultural chemical manufacturing use* shall be totally enclosed by: (1) a security fence at least eight (8) feet in height; (2) a wall at least eight (8) feet in height; or (3) a fireproof *building*. Entrances and exits should be secured and locked during non-operating hours.
- (6) Perimeter Setback. One hundred (100) feet.

SR 10.14. Product Processing and Storage Facilities

- (1) Site Plan. Major *Site Plan* required in accordance with §42-330 (Major Site Plan Review).
- (2) Lighting. *Adequate lighting* shall be placed in areas used for vehicular/pedestrian access including, but not limited to: stairs, sidewalks, crosswalks, intersections, or changes in grade. *Lighting mitigation* required.

SR 10.15. Recycling Center, Drop-Off Facilities

- (1) Site Plan. Major *Site Plan* required in accordance with §42-330 (Major Site Plan Review).
- (2) Lighting. *Adequate lighting* shall be placed in areas used for vehicular/pedestrian access including, but not limited to: stairs, sidewalks, crosswalks, intersections, or changes in grade. *Lighting mitigation* required.
- (3) Security. The operations of a *recycling center with drop off facilities* shall be totally enclosed by: (1) a security fence at least eight (8) feet in height; (2) a wall at least eight (8) feet in height; or (3) a fireproof *building*. Entrances and exits should be secured and locked during non-operating hours.
- (4) Screening. Screen Class One (1), Two (2) or Three (3) shall be provided consistent with the requirements of §42-181 (Screen Classification).
- (5) Hours of Operation. 6:00 a.m. to 9:00 p.m.

SR 10.16. Research and Development Operations (Hazardous or biological materials)

- (1) Site Plan. Major *Site Plan* required in accordance with §42-330 (Major Site Plan Review).
- (2) Lighting. *Adequate lighting* shall be placed in areas used for vehicular/pedestrian access including, but not limited to: stairs, sidewalks, crosswalks, intersections, or changes in grade. *Lighting mitigation* required.
- (3) Dust Reduction. Unpaved *roads, travel ways* and/or parking areas shall be treated to prevent dust from adverse effects to adjacent properties.
- (4) Separation. A *research and development operation (hazardous or biological materials)* shall not be constructed or newly located within one-half (½) mile of an existing *school, library, day care facility, healthcare facility and/or religious institution*
- (5) Security. The operations of a *research and development operation (hazardous or biological materials)* shall be totally enclosed by: (1) a security fence at least eight (8) feet in height; (2) a wall at least eight (8) feet in height; or (3) a fireproof *building*. Entrances and exits should be secured and locked during non-operating hours.
- (6) Perimeter Setback. One hundred (100) feet.

SR 10.17. Research and Development Operations (Non-hazardous)

- (1) Site Plan. Major *Site Plan* required in accordance with §42-330 (Major Site Plan Review).

- (2) Lighting. *Adequate lighting* shall be placed in areas used for vehicular/pedestrian access including, but not limited to: stairs, sidewalks, crosswalks, intersections, or changes in grade. *Lighting mitigation* required.
- (3) Security. The operations of a *research and development operation (nonhazardous)* shall be totally enclosed by: (1) a security fence at least eight (8) feet in height; (2) a wall at least eight (8) feet in height; or (3) a fireproof *building*. Entrances and exits should be secured and locked during non-operating hours.

SR 10.18. Sawmill

- (1) Site Plan. Major *Site Plan* required in accordance with §42-330 (Major Site Plan Review).
- (2) Lighting. *Adequate lighting* shall be placed in areas used for vehicular/pedestrian access including, but not limited to: stairs, sidewalks, crosswalks, intersections, or changes in grade. *Lighting mitigation* required.
- (3) Dust Reduction. Unpaved *roads, travel ways* and/or parking areas shall be treated to prevent dust from adverse effects to adjacent properties.
- (4) Separation. A *sawmill* shall not be constructed or newly located within one-quarter (¼) mile of an existing *dwelling unit* (located in a *residential zoning district* and not located on the same property as the use), existing *school, library, day care facility, healthcare facility, park* and/or *religious institution*.
- (5) Security. The operations of a *sawmill* (including equipment) shall be totally enclosed by: (1) a security fence at least eight (8) feet in height; (2) a wall at least eight (8) feet in height; or (3) a fireproof *building*. Entrances and exits should be secured and locked during non-operating hours.
- (6) Perimeter Setback. Fifty (50) feet.
- (7) Debris Disposal. Disposal of excess inert debris is prohibited on site unless operation is in compliance with development standards for *land clearing debris and inert debris storage or disposal operations* (see SR 9.5. (Land Clearing Debris and Inert Debris Storage or Disposal) for standards).
- (8) Hours of Operation. 6:00 a.m. to 9:00 p.m.

SR 10.19. Slaughterhouse

- (1) Site Plan. Major *Site Plan* required in accordance with §42-330 (Major Site Plan Review).
- (2) Lighting. *Adequate lighting* shall be placed in areas used for vehicular/pedestrian access including, but not limited to: stairs, sidewalks, crosswalks, intersections, or changes in grade. *Lighting mitigation* required.
- (3) Dust Reduction. Unpaved *roads, travel ways* and/or parking areas shall be treated to prevent dust from adverse effects to adjacent properties.
- (4) Separation. A slaughterhouse shall not be constructed or newly located within one-half (½) mile of an existing *school, library, day care facility, healthcare facility* and/or *religious institution*.
- (5) Perimeter Setback. One hundred (100) feet.
- (6) Hours of Operation. 6:00 a.m. to 9:00 p.m.

SR 10.20. Truck Wash

- (1) Site Plan. Major *Site Plan* required in accordance with §42-330 (Major Site Plan Review).
- (2) Lighting. *Adequate lighting* shall be placed in areas used for vehicular/pedestrian access including, but not limited to: stairs, sidewalks, crosswalks, intersections, or changes in grade. *Lighting mitigation* required.
- (3) Structure. All associated lanes and *driveways* shall be covered with an all-weather surface.
- (4) Parking/Drive. Parking areas/stacking facilities shall be designed to ensure parked/waiting *vehicles* do not block sidewalks, *driveways* or *roads*.
- (5) On-Site Drainage System. Provisions shall be made for an on-site drainage system to capture water used to wash *vehicles*. The drainage plan shall be evaluated by the *Zoning Administrator* to determine that the water from the facility will not have a detrimental effect on adjacent property, *roads* and/or surface waters.
- (6) Operations. Storage or repair of *vehicles* shall not be permitted within the truck washing facility.
- (7) Screening. Screen Class Two (2) shall be provided consistent with the requirements of §42-181 (Screen Classification).

11. TEMPORARY USES

SR 11.1. Christmas Tree Lot Sales

- (1) Duration and Frequency. Temporary Christmas tree lot sales may be operated for no longer than forty-five (45) days.

SR 11.2. Circuses, Carnivals, Fairs, Religious Services (or similar types of events)

- (1) Duration and Frequency. Not more than two (2) temporary events shall be held in a 12 month period.
 - a. Temporary circuses, fairs, and similar types of events may be operated for no longer than eight (8) days.
 - b. Carnivals may be operated for no longer than 10 days.
 - c. Religious services may operate for up to twelve (12) weeks.
- (2) Hours of Operation. Where a circus, carnival, fair, religious service or similar types of events and being held in a *residential zoning district* or within 500 feet of a *residential zoning district*, the hours of operation shall be limited to between 7:00 a.m. and 11:00 p.m.
- (3) Application. The application shall depict the locations of pedestrian circulation areas and equipment storage areas.
- (4) Separation Requirements. The *use* shall not be placed within 50 feet of an existing *dwelling unit* (located in a *residential zoning district* and not located on the same property as the *use*).
- (5) Solid Waste Collection System Requirements. Arrangements shall be made for suitable garbage disposal and site clean-up.

SR 11.3. Model Home/Sales Office, Temporary

- (1) Duration and Frequency. *Temporary model homes/sales offices* shall be permitted within a new *residential development*, provided that the model home/sales office: (1) is located on a *lot* that was approved as part of an approved preliminary or master plan; and (2) will be converted to a *dwelling unit* or taken down after its *use* as a sales office/model home. *Temporary model homes/sales offices* may initially be approved for a period of up to three (3) years, which may be extended for additional one (1) year terms so long as development is continuing. If the *Temporary Model Home/Sales Office* was noted on an approved Preliminary or Master Plan, a *temporary use permit* is not required.

SR 11.4. Portable Sawmill

- (1) Duration. A portable sawmill may be permitted as a temporary use not to exceed ninety (90) days. The Zoning Administrator may allow for ninety (90) day extension upon request by the applicant.

SR 11.5. Special Events between 250 and 499 persons

- (1) Application. A special event application shall be submitted to the Zoning Administrator thirty (30) days prior to the event.
- (2) Separation Requirements. The *use* shall not be placed within 50 feet of an existing *dwelling unit* (located in a *residential zoning district* and not located on the same property as the *use*).
- (3) Solid Waste Collection System Requirements. Arrangements shall be made for suitable garbage disposal and site clean-up.
- (4) Site Plan. Minor *Site Plan* required in accordance with §42-299 (Minor Site Plan Review).
- (5) Approval Authority. The Zoning Administrator shall approve the temporary use permit.
- (6) Accessibility. County staff acting in their official duties may inspect the event for compliance with the temporary use permit seventy-two (72) hours prior to the start of the event.
- (7) Applicable Permits. The applicant shall apply for required permits from local and State governments and agencies including but not limited to food service, sanitation, and water supply. The applicant shall apply with the N.C. Alcoholic Beverage Control (ABC) Commission when alcohol is being served or sold.
- (8) Prohibited Activities. All unlawful activities are prohibited.

SR 11.6. Special Events with 500 persons or more

- (1) Application. A special event application shall be submitted to the Zoning Administrator sixty (60) days prior to the event.
- (2) Separation Requirements. The *use* shall not be placed within 50 feet of an existing *dwelling unit* (located in a *residential zoning district* and not located on the same property as the *use*).
- (3) Solid Waste Collection System Requirements. Arrangements shall be made for suitable garbage disposal and site clean-up.

- (4) Site Plan. Minor *Site Plan* required in accordance with §42-299 (Minor Site Plan Review). Applicants with a previously approved site plan may resubmit or amend the site plan for multiple events. The Zoning Administrator may require a new site plan submittal if the event venue, location or layout is substantially different.
- (5) Emergency Action Plan. Emergency action plan addressing security, emergency medical services, evacuation protocol and access of emergency service responders, fire, and law enforcement is required to be on file with the Zoning Administrator. Applicants with a previously approved emergency action plan may resubmit for multiple events.
- (6) Approval Authority. The TRC shall approve the temporary use permit.
- (7) Applicable Permits. The applicant shall apply for required permits from local and State governments and agencies including but not limited to food service, sanitation, and water supply. The applicant shall apply with the N.C. Alcoholic Beverage Control (ABC) Commission when alcohol is being served or sold.
- (8) Accessibility. County staff acting in their official duties may inspect the event for compliance with the temporary use permit seventy-two (72) hours prior to the start of the event.
- (9) Prohibited Activities. All unlawful activities are prohibited.

SR 11.7. Yard Sale

- (1) Duration and Frequency. The duration of a *yard sale* may be for no more than three (3) days at a time and for no more than 12 days in a 12 month period. *Yard sales* are expressly prohibited as a permanent *use* and shall be regulated as Retail Trade and Food Service should the *use* continue over a longer period of time.

12. TEMPORARY STRUCTURES

SR 12.1. Portable Storage Containers

- (1) Maximum Number Permitted Per Lot. One (1) for *residential zoning district* property.
- (2) Duration and Frequency. *Portable storage containers* shall be placed on *residential zoning district* property for no more than 90 days, no more than three (3) times in a 12 month period.
- (3) Permanent Structures. *Portable storage containers* may be permitted as *accessory structures*.

SR 12.2. Produce Stand, Temporary

- (1) Setbacks. Temporary stands may be established in the *front yard setback*.
- (2) Duration and Frequency. Temporary stands may be operated for no longer than 180 days in a 12 month period.

SR 12.3. Temporary Construction Project Buildings

- (1) Duration and Frequency. Temporary construction project *buildings* shall be permitted only for those time periods for which a building permit has been issued.

SR 12.4. Tent Sale

- (1) Duration and Frequency. Temporary tent sales may be operated for no greater than two (2) weeks. Not more than two (2) temporary tent sales shall be held in a 12 month period.
- (2) Locational Requirements. Temporary tent sales shall not encroach on the public *right-of-way*, parking spaces or required loading spaces.

- §42-2. **Reserved**
- §42-3. **Reserved**
- §42-4. **Reserved**
- §42-5. **Reserved**
- §42-6. **Reserved**
- §42-7. **Reserved**
- §42-8. **Reserved**
- §42-9. **Reserved**
- §42-10. **Reserved**
- §42-11. **Reserved**
- §42-12. **Reserved**

August 5, 2024

August 5, 2024

August 5, 2024

August 5, 2024

August 5, 2024

ARTICLE III

SUBDIVISION REGULATIONS

Subpart A. General Subdivision Regulations

§42-13. Purpose

The purpose of this Article III (Subdivision Regulations) is to promote, through proper planning, health, safety and general welfare by providing for the orderly *subdivision* of land in Henderson County. This Article III (Subdivision Regulations) is deemed necessary to:

- A. Establish procedures and standards for the *subdivision* of land;
- B. Provide for orderly growth and development;
- C. Protect and enhance property ownership and land values;
- D. Provide for dedication or reservation of *road right-of-way*;
- E. Assure the proper design and installation of *roads* and utilities;
- F. Assure proper legal description, identification and recordation of property boundaries to maintain an accurate, up-to-date land records management system;
- G. Promote environmental quality;
- H. Preserve areas of the County with productive soils for continued agricultural and *forestry use* by preserving blocks of land large enough to allow for efficient operation;
- I. Encourage the maintenance and enhancement of habitat for various forms of wildlife and to create new woodlands through natural succession and reforestation where appropriate;
- J. Minimize site disturbance and *erosion* through retention of existing vegetation and avoiding development on *steep slopes*; and
- K. Preserve open land, including those lands that contain *unique* (and sensitive) *natural areas*.

§42-14. Comprehensive Plan

This Article III (Subdivision Regulations) is based on *Comprehensive Plan* goals and objectives. All land may not be suitable to be subdivided for the purpose of dense development due to:

- A. Severe topographic conditions;
- B. Inadequate *road* access;
- C. Distance from services;
- D. *Unique natural areas*;
- E. Soils that do not easily support soil drainage systems; and/or
- F. The proximity to existing and incompatible land *uses/zoning*

The reviewing agency should consider *Comprehensive Plan* goals and objectives when reviewing *subdivisions*.

§42-15. Approval for Subdivision Plats

A *final plat* must be prepared and approved when a *subdivision* of land occurs (See §42-342). *Final plats* must be recorded within 18 months of approval or they become null and void and must be re-approved by the appropriate authority.

§42-16. Land Disturbing and Construction Activity

No land disturbing or construction activity carried out in conjunction with the development of a *subdivision* shall begin until a development plan has been approved.

§42-17. Subdivision Types

Subdivisions shall be either: special, *minor*, *nonstandard* or *major*. Each type of *subdivision* includes subtypes:

- A. Nonstandard Subdivision Subtypes. Public utility (pump station, water tank, etc.), auxiliary lot (*sign lot*, *common area*, etc.) or cemetery *lot* (specifically excluding residential, commercial, office institutional, industrial or mixed-use).
- B. Special Subdivision Subtypes. Residential.
- C. Minor Subdivision Subtypes. Residential.
- D. Major Subdivision Subtypes. Residential, commercial, office institutional, industrial or mixed-use.

§42-18. Aggregation

Two or more developments may be aggregated and treated as a single development under the Land Development Code when they are determined to be part of a unified plan of development and are physically proximate to one another. Each of the criteria listed below is indicative of a unified plan of development. Whenever one or more are found to exist, the reviewing authority may determine that two or more projects are part of a unified plan of development:

- A. There is a reasonable closeness in time between the completion of some or all of one development and the submission of an application for authorization of other development which is indicative of a common developmental effort;
- B. A master plan or series of plans or drawings exists covering the development sought to be aggregated;
- C. There is a voluntary sharing of infrastructure that is indicative of a common development effort or is designated specifically to accommodate the developments sought to be aggregated;
- D. There is a common advertising scheme or promotional plan in effect for the developments sought to be aggregated.

§42-19. Reserved

§42-20. Reserved

Subpart B. Regulations Applicable to All Subdivision Types and Subtypes

§42-21. Road Frontage and Existing Off-Site Access

Tracts to be *subdivided* must have a minimum of: (1) 30 feet of frontage on an existing public road, or (2) private *rights-of-way* no less than 30 feet in width to a public road. *Applicants* shall have the burden to prove private *right-of-way* and existing off-site access is legal, permissible and permanent (evidence may include property deed, title search, recorded *plat*, or other documentation provided by the *applicant*).

Where the minimum frontage and off-site access requirements cannot be met the maximum number of *lots* into which a *tract* may be divided shall be no more than one (1) lot per acre.

Where the minimum road frontage and existing off-site access requirements can be met but the grade of the *road* at any point in the existing off-site access exceeds 18 percent (paved) or 15 percent (gravel), and the *applicant* is proposing more than five (5) *lots*, the approving agency will review the application on a case-by-case basis.

§42-22. Lot Designs

New subdivision *lots* shall:

- A. Abut on an approved *road* or driveway easement (See §42-108, Residential Private Road Standards by Road Classification);
- B. Be no narrower than 30 feet in width where abutting the *right-of-way* or for purposes of the driveway easement;
- C. Be calculated excluding new or existing *road right-of-way* to determine size;
- D. Be of a size, width, depth, shape and orientation reasonable for the type of development;
- E. Where possible, have side *lot* lines at right angles or radial to the *roads* faced; and
- F. Provide the approved E911 identification.

§42-84. Certificate of Understanding

The certificate shall:

- A. Be signed by the property owner(s) and provided at the time of subdivision application submittal;
- B. Acknowledge that all *lots* created from a parent tract will count toward the total number of *lots* permitted under density regulations.
- C. Acknowledge that upgrading existing improvements (including roads) may be necessary in order to expand.

§42-85. Subdivision Names and Name Signs

The name of a *subdivision* shall not be substantially identical or similar as to likely cause confusion among prospective purchasers to any other *subdivision* or named community in the County. A community identification/subdivision sign: (1) may be provided at the primary entrance, (2) shall be in conformance with the *sign* regulations of Article VII (Sign Regulations), and (3) should be located in dedicated *sign easements*.

§42-86. Cemeteries

Existing cemeteries shall be deeded as a separate lot in the subdivision and shall be accessed by a minimum twenty (20) foot wide private or public easement. Major subdivisions shall provide access with a minimum twenty (20) foot wide *right-of-way* (road construction is not required).

§42-87. Advisory Provisions

- A. Soils Map. *Applicants* for *subdivisions* with *lots* smaller than one (1) acre in size should consult a soils map of the property and be knowledgeable of the suitability of ground absorption systems on the property.
- B. Utility Easements. Utility *easements* should be:
 - (1) Centered on rear or side *lot* lines,
 - (2) At least 20 feet in total width, and
 - (3) Identified following discussion with the appropriate utility agency.
- C. Stream Setbacks. See §42-250 (Perennial and Intermittent Surface Water Buffers).
- D. Traffic Impact Study (TIS) and Emergency Services Impact Report (ESIR). See Article IV (Adequate Public Facilities Regulations) for traffic impact study and emergency services impact report requirements.

§42-88. Conservation Subdivision Standards

Conservation subdivision standards shall apply to all subdivisions proposing 35 lots or more.

- A. *Open space* shall:
 - (1) Comprise a minimum of 25 percent of the project area. Subdivisions proposing 100 or more lots may not use the floodway area to determine the overall density calculation but may count the floodway area for open space requirements. Floodplain areas are allowed to be calculated for both density and open space requirements.
 - (2) Be composed of (in order of which lands should be designated as open space first): *primary conservation area*, *secondary conservation area*, and any remaining lands necessary.
 - (3) Be designated so that a minimum of 50 percent of the proposed open space is contiguous and, where possible, adjoins *open space* or other *protected areas* (including protected forests or wildlife areas) outside the project area.
 - (4) Be designated so that, where possible, a majority of the lots directly abut *open space* to provide residents with direct views and access.
 - (5) Be accessible by safe and convenient pedestrian access from all adjoining *lots* (except in the case of farmland or other resources areas vulnerable to trampling damage or human disturbance).
 - (6) Be used as follows:
 - a. Conservation of natural resources, archeological resources or historical resources;

- b. *Agriculture*, horticulture, or silviculture, provided all applicable *best management practices* are used to minimize environmental impacts;
- c. Passive recreation;
- d. Active recreation provided *impervious surfaces* are limited to a maximum of 12 percent of the total *open space* area;
- e. Nonstructural stormwater management practices;
- f. *Easements* for drainage, access, and underground utility lines; and
- g. Water, septic, and sewer systems.

(7) Not be used as follows:

- a. For motor vehicles (except for maintenance purposes as provided for in the Open Space Management Plan); and
- b. Roads, parking lots and impervious surfaces (except when accessory to active recreational uses).

B. Open Space Ownership. The *applicant* must identify current and future owner(s) of *open space* responsible for maintaining the area/facilities. The responsibility for maintaining the *open space* and its facilities shall be borne by the owner. If a homeowners' association is the owner:

- a. Membership in the association shall be mandatory and automatic for all homeowners in the *subdivision* and their successors; and
- b. The association shall have lien authority to ensure the collection of dues from all members.

C. Open Space Management. The *applicant* shall submit "Open Space Management Plan" which includes:

- (1) A statement allocating maintenance responsibilities and establishing guidelines for the upkeep of *open space* and its facilities;
- (2) Cost estimates for maintenance, operation and insurance needs for the *open space*;
- (3) A means by which funds will be obtained for all management expenses;
- (4) A provision allowing the *Subdivision Administrator* to approve plan change; and
- (5) Criteria for plan enforcement.

D. Legal Instrument for Permanent Protection. *Open space* shall be protected in perpetuity by a binding legal document recorded with the deed. The document shall be one of the following:

- (1) Permanent conservation *easement* in favor of either:
 - a. A land trust or similar conservation-oriented non-profit organization with legal authority to accept such *easements*. The organization shall be bona fide and in perpetual existence and the conveyance instruments shall contain an appropriate provision for retransfer in the event the organization becomes unable to carry out its functions; or

- b. A governmental entity with an interest in pursuing goals consistent with the intentions of this Section.

(2) Permanent restrictive covenant for conservation purposes.

(3) Equivalent legal tool providing permanent protection, subject to approval by the County Attorney.

The instrument shall include all restrictions contained in §42-87 (Conservation Subdivision Standards), and any further restrictions the *applicant* chooses to place on the *use* of the *open space*.

- E. Open Space Density Bonus. Base density is determined by the zoning district in which the *subdivision* is located. Conservation subdivisions proposing more than the minimum required *open space* may be eligible for increased densities. Table 3.1 outlines the criteria for density bonuses. Lands under conservation easement shall not be counted when determining density bonuses. Permitted housing densities shall not exceed the maximum allowances of any applicable *water supply watershed* requirements.

Table 3.1. Open Space Density Bonuses				
Percent <i>Open Space</i> (%)	25-30	31-40	41-50	>51
Percent Housing Density Increase (%)	N/A	10	15	20

- F. Agricultural Preservation Density Bonus. Base density is determined by the zoning district in which the *subdivision* is located. Conservation subdivisions proposed for sustaining existing on-site bona fide agricultural operations are entitled to a five (5) percent increase in permitted density. Residential *lots* in these *subdivisions* should be located in areas less suitable for agricultural production with prime farmland being preserved as *open space*. *Lots* should be located where agricultural operations do not interfere with the safety and well-being of future residents. The reviewing agency may require vegetative buffering and/or additional *setbacks* between agricultural operations and *lots* to mitigate potential impacts of noise, vibration, light, and/or odor. This five (5) percent bonus may be used in conjunction and in addition to any applicable *open space* density bonus. Permitted housing densities shall not exceed the maximum allowances of any applicable *water supply watershed* requirements.

- G. Structure Placement. Structures should be placed as closely to *internal roads* as permitted. The reviewing agency may reduce the front yard setback to a minimum of five (5) feet; taking into consideration sound engineering, public safety concerns and community character when applying the standards. *Structures* may be: (1) located in the *side yard* setback required by the zoning district regulations; and (2) placed as closely together as permitted by the North Carolina State Building Code.

- H. Exemption. Conservation subdivision standards can be applied to any subdivision type, but are not required by this Chapter.

§42-89. Reserved

§42-90. Reserved

§42-91. Reserved

Subpart C. Subdivision Standards by Type.

§42-92. Nonstandard Subdivisions

Nonstandard subdivision *lots* shall:

- A. Be exempt from the density requirements of this Chapter.
- B. Include auxiliary *lots* (the *structures* located thereon must meet any applicable zoning or *water supply watershed* requirements) clearly identified for a designated use.
- C. Be identified and encumbered to its specified use on a *final plat*.
- D. Be provided with a platted or deeded right-of-way that connects each proposed *lot* and remainder parcel to a public *road*.
- E. Not be counted in the number of *lots* in a *subdivision* for administrative purposes.

§42-93. Special Subdivisions

Special subdivisions shall be permitted under the following conditions:

- A. For lots of record prior to September 19, 2007 where there is insufficient acreage to meet the density regulations of the zoning districts, up to five (5) lots may be created where each lot is at least one half (1/2) acre (21,780 square feet) in size.
- B. The special subdivision procedure may not be used in conjunction with an application for a minor subdivision or a major subdivision.

The special subdivision procedure does not apply to the following zoning districts: Estate Residential (R-40), Surface Water District (SW), and Waterfront Residential (WR).

§42-94. Minor Subdivisions (Ten (10) or Fewer Lots)

Minor subdivisions shall adhere to all applicable requirements of this Chapter. No more than ten (10) lots in a five (5) year time period shall be allowed unless the subdivision complies with the major subdivision standards.

§42-95. Major Subdivisions (Eleven (11) or more Lots or Commercial, Office Institutional, or Industrial)

- A. Subdivisions of 35 or More Lots.
 - (1) Shall provide a minimum of two (2) entrance *roads*. (The second entrance requirement must be specifically waived by the approving authority, and only where unique circumstances (including severe topographic conditions, the presence of *unique natural areas*, existing development patterns, or other limiting site conditions) would prevent the addition of a second entrance.)
 - (2) No more than 35 *lots* within a *subdivision* shall be accessed by a dead-end *road*, cul-de-sac or turnaround or a series of dead-end *roads*, cul-de-sacs or turnarounds to access the main entrance(s)/exit(s) for the *subdivision* (except where a stub

road is proposed as a future connection (however, stub *road* proposals do not entitle adjoining property owners access to the *subdivision*).

B. Soil Erosion and Sedimentation Control Plan. The applicant must provide written notice from:

- (1) The appropriate state and/or local agencies verifying an Erosion and Sedimentation Control Plan has been received, or
- (2) A professional land surveyor, engineer, landscape architect, architect, or professional planner certifying no plan is required.

Developers should not disturb and clear more land than needed for infrastructure and other *subdivision* related improvements.

C. Water Supply System and Sewage Disposal System Required. Every *lot* shall be served by a *water supply system* and *sewage disposal system* adequate to accommodate the reasonable needs of the proposed *use* and comply with all applicable health regulations. The *applicant* must provide evidence that *water supply system* and *sewage disposal system* plans have received final approvals by the appropriate agency prior to *final plat* approval (except as noted in item C(1) below).

- (1) Individual Water Supply and Sewer Systems (Well and Septic Tanks). Where the *water supply system* and/or *sewage disposal system* to be installed is an individual system for each *lot*, the installation of said systems will not be required prior to *final plat* approval.
- (2) Municipal Water Supply Systems and Municipal and Approved Public or Community Sewage Disposal System Requirements. Where a *municipal water supply system* or *municipal sewage disposal system* is/are proposed, a letter from the respective agency/agencies stating there is sufficient capacity to a make connection to the system(s), must accompany the *subdivision* application.

All *public water supply systems*, *municipal sewage disposal systems*, and *approved public or community sewage disposal systems* shall be installed and shall meet the requirements of the local or State authorities having jurisdiction thereof.

- (3) Required Connection to a Municipal Water Supply System and Municipal Sewage Disposal System. The approving authority may require a *subdivision* of 300 or more units connect to a *municipal water supply system* if located within two (2) miles of an existing *municipal water supply system*. If a *subdivision* is within 5,000 feet of an existing *municipal water supply system* and the distance is equal to or less than the product of 100 feet multiplied by the number of proposed *lots*; the *subdivision* shall be required to connect to the municipal water supply system.

The Approving Authority may require a *subdivision* of 300 or more units connect to a *municipal sewage disposal system* if the *subdivision* is located within one (1) mile of an existing *municipal sewage disposal system*. If a *subdivision* is within 2,500 feet of an existing *municipal sewage disposal system* and the distance is equal to or less than the product of 50 feet multiplied by the number of proposed

lots, the subdivision shall be required to connect to the *municipal sewage disposal system*.

Required connects may be provided exception on the basis of terrain, availability of acquiring *easements*, denial of allocation by the public utility, insufficient capacity of the municipal system or other circumstances unusual or unique to the site. Requests for exceptions must be made, in writing, to the *Subdivision Administrator* who may require that such requests be supported by a professional engineer's review of the *subdivision* plans and planned route of the utility extension. If the *Subdivision Administrator* determines that it would not be economically feasible for a *subdivision* to be connected to a *municipal water supply system* or *municipal sewage disposal system*, another system may be used, subject to approval by the appropriate agencies.

D. Fire Protection Requirements. Either:

- (1) Install a minimum of one (1) hydrant per 1000 feet of linear *road* distance (if served by a *public water supply system* who may impose more stringent *fire protection* requirements where necessary): or
- (2) Install a dry fire hydrant system (the type and location of which is to be determined by the County Fire Marshal) and all-weather access *road* for fire-fighting equipment to a permanent surface water supply (minimum 100,000 gallon storage in a 50 year drought).
- (3) If the *subdivision* is neither served by a *public water supply system* nor has or is adjacent to an adequate permanent surface water supply it shall be thoroughly reviewed by the reviewing agency and *applicant* to determine if alternative measures to ensure adequacy of *fire protection* exist. Where deemed necessary and without creating an undue hardship on the *applicant*, the reviewing agency may require the *applicant* to install alternative *fire protection* measures.

E. Stormwater Drainage. Drainage systems (swales, ditches, pipes, culverts, detention ponds, lakes or similar devices) shall be designed to minimize adverse effect on the proposed *subdivision* and on adjacent and downstream properties. Drainage improvements shall be designed and constructed in accordance with applicable *State Road Standards* and to:

- (1) Follow natural drainage (where possible),
- (2) Contain points of stormwater discharge onsite (unless offsite discharge is approved by the reviewing agency and adjoining property owners),
- (3) Maintain desirable groundwater conditions,
- (4) Minimize *erosion*, downstream *sedimentation*, flooding or standing water conditions,
- (5) Filter pollutants before stormwater reaches surface water, and
- (6) Avoid excessive stormwater discharge.

F. Farmland Preservation District Setback. A minimum 100 foot *setback* for all *buildings* or *structures* is required from any Farmland Preservation District (marked on official maps

maintained by the Henderson County Soil and Water Conservation District). *Subdivisions* located adjacent to a Farmland Preservation District should be developed using §42-87 Conservation Subdivision Standards.

G. Reasonable pedestrian access shall be provided to promote healthy and safe walking environments.

(1) Pedestrian facilities (sidewalks and/or walking trails) shall be:

a. 100 or more *lots* or

b. A *density* equal to or greater than two (2) units per acre

(2) Provide one (1) linear foot of sidewalk or walking trail for every linear foot of improved or newly proposed roadway within the tract.

(3) Located in a *road right-of-way*, pedestrian access *easement*, or other dedicated *open space*.

(4) Five (5) feet in width or more.

(5) Constructed (sidewalks only) with concrete, asphalt, or other permanent all-weather surface such as gravel.

The location and design of such facilities shall be approved by the reviewing agency. The maintenance and expansion of pedestrian facilities will fall under the authority of the homeowners' association, which must be established where pedestrian facilities are required.

H. Street Tree Requirements. Street trees shall be required in accordance with Article V (Landscape Design Standards) Subpart C (Street Tree Requirements). Street trees are required to be installed prior to *final plat* approval.

I. Subdivision Setback and Buffering. When a *tract* to be *subdivided* is within a residential zoning district, the following shall be required:

(1) A 50 foot *structure setback* from any *external road* which is not classified as a *local road*, with the understanding that *lots* may be created which contain all or portions of the *setback*.

(2) Installation of a B2 *buffer* (see Article V (Landscape Design Standards) Subpart A (Buffer Requirements)) within the required setback where the *tract* is located along a: *collector road*, *thoroughfare*, *boulevard*, *expressway* or *freeway*. The *applicant* should, where possible, maintain existing stands of trees in accordance with §42-184 (Credits for Preserving Existing Trees) to meet this standard.

J. Air Quality. As required by *NCGS* Chapter 143, Article 21, all *subdivisions* shall show proof of compliance, if applicable, with air quality guidelines established by the Division of Environmental Management and *NCDENR*.

§42-96. Affordable Housing Subdivisions (Reserved)

Subpart D. Subdivision Road Standards Applicable to All Subdivision Types and Subtypes

§42-97. Road Disclosure

North Carolina General Statute (NCGS) §136-102.6 requires a developer disclose to each buyer of property the following:

- A. The ownership (public or private) of the *road* serving the *lot*,
- B. How the *road* will be maintained, and
- C. Who shall be responsible for such maintenance.

The law further requires certain *road* maintenance agreements be executed.

§42-98. Right-of-Way

Right-of-way standards apply within the property being developed. *Rights-of-way* shall be capable of supporting a *road* by meeting the minimum width specified by this Chapter (See Table 3.3). Any portion of an existing recorded *right-of-way* which does not meet minimum width requirements of this Chapter shall be upgraded to:

- (1) Meet the full *right-of-way* requirement when the right-of-way is surrounded by or abutting the tract; or
- (2) Provide one-half (1/2) of the required *right-of-way* (measured from the centerline of the existing *right-of-way*) when the *right-of-way* is not completely contained by the tract to be subdivided.

§42-99. Out of County Access

Access to a proposed *subdivision* through another County shall meet or exceed all *right-of-way* and road requirements herein.

§42-100. Existing Private Roads

Any portion of an existing private *road* located in an existing recorded private *right-of-way* and surrounded by the *tract* to be subdivided shall be upgraded to meet the *road* standards of this Subpart C (Subdivision Road Standards Applicable to All Subdivision Types and Subtypes) in major subdivisions.

§42-101. Road Construction

Roads should be constructed (1) along the contour of the land because of the difficulty of operating *vehicles* on steep grades and high potential for *erosion*, and (2) so that water will drain from the *road* surface into side ditches.

Roads shall:

- A. Be constructed with suitable stone and compacted properly,
- B. Be constructed on a subbase of suitable soil capable of supporting it, and
- C. Not be constructed on used asphalt (an unacceptable base course).

The *Subdivision Administrator* may require a professional engineer or professional surveyor to certify, or provide applicable proof, that the roads were constructed to standards prescribed in this Subpart D (Subdivision Road Standards Applicable to All Subdivision Types and Subtypes) and approved development plan. This may be accomplished by on-site supervision by the engineer or his designee during the construction of the *road*, or through a series of core sample tests at appropriate key areas or as requested by the *Subdivision Administrator*. The core samples should be spaced accordingly and the location and number of core samples should be agreed upon by the engineer and *Subdivision Administrator* prior to testing. *NCDOT* certification is not required.

§42-102. Shoulder Stabilization

Permanent stabilization of soils to prevent erosion shall be achieved by seeding areas disturbed by the construction of a *road* (including cut and fill slopes, shoulders, ditch banks, etc.) as soon as feasible after *road* construction. The *Subdivision Administrator*, where seasonal weather prevents seeding, may require:

- A. An improvement guarantee be posted with the County to ensure the installation of permanent stabilization; and
- B. Other materials (straw, mulch, etc.) be applied temporarily until seed can be sewn.

§42-103. Road Names

Road names are required for all public and private roads (including alleys and *driveway easements*) that access more than two (2) lots. Proposed names for *roads* shall:

- A. Be pre-approved by Henderson County in accordance with Chapter 41 of the Henderson County Code, Property Addressing.

A proposed *road* in alignment with an existing named *road* shall bear the name of the existing *road*.

§42-104. Road Name Signs and Regulatory Signs

Road name signs and *regulatory signs* (speed limit signs, stop signs, etc.) shall be provided in accordance with Chapter 41 of the Henderson County Code, *Property Addressing* and with applicable local, state and federal laws, rules and regulations. *Road name signs* and *regulatory signs* must be acquired and installed prior to *final plat* approval.

§42-105. Road Drainage and Culverts

Road drainage structures, ditches, and culverts shall be designed and constructed in accordance with *State Road Standards* and with sufficient depth and width to carry the expected volume of *stormwater runoff*. Culverts may be required where the *road* crosses streams or minor *watercourses*. *Best Management Practices* should be utilized for road swales (turf matting and vegetation, etc.) to control *erosion* and transport of *sediment* and to filter pollutants from *stormwater runoff*.

§42-106. Stub Roads

Stub *roads* shall be designed in locations which will permit the future extension of *subdivision roads*.

§42-107. Road Type Designation

Applicants shall indicate if *roads* are to be public or private on applications, plans and plats. Where private *roads* are proposed as extensions of existing *public roads*, the developer must clearly justify why proposed *roads* should not be extended for public use. Private *roads* may become public if accepted into the *public road* system by *NCDOT*.

A. *Public Roads*. Public roads (and their associated public bridges) shall:

- (1) Be designed and constructed in accordance with *State Road Standards*.
- (2) Be offered dedication to the public (though this does not guarantee *NCDOT* will accept or agree to assume the maintenance responsibility of the proposed *public road*).

B. *Private Roads*. Private roads shall be the standards of this Subpart D (Subdivision Road Standards Applicable to All Subdivision Types and Subtypes).

§42-108. Private Road Standards for Commercial, Office Institutional, Industrial, and Mixed-Use Subdivisions

Private roads and bridges shall be built to State Road Standards for commercial, office institutional, industrial or mixed-use subdivisions.

§42-109. Residential Private Road Standards by Road Classification

If not specified in Article III (Subdivision Regulations) Subpart D (Subdivision Road Standards Applicable to All Subdivision Types and Subtypes), the design and construction of private *roads* shall be reviewed using *NCDOT* standards and requirements which reflect local *NCDOT* District Engineer policy modifications.

Private roads shall: (1) Be designated based on the number of *lots* served (See Table 3.2); (2) be designed and constructed in accordance with the standards of this Article III (Subdivision Regulations) (see Table 3.3); and (3) be designed to provide, at all times, adequate and unobstructed access for emergency response.

Table 3.2 Subdivision Private Road Classification by Number of Residential Lots Served					
Road Classification	Subdivision Collector	Subdivision Local	Limited Local	Private Driveway Easement	Alley
Number of Residential Lots Served	50+	6 to 49	1-5	1-5	1-49

Private roads shall meet the minimum design and construction standards according to the following road classifications:

A. *Private Subdivision Collector Road*. A “*private subdivision collector road*” shall be required where the road serves:

- (1) 50 or more units (existing or proposed) within the proposed subdivision or as an aggregate of the proposed subdivision and any other development to which it connects,

- (2) As a through-road connecting lots within a subdivision to more than one (1) public thoroughfare, or
- (3) A nonresidential facility within a residential development, (i.e. clubhouse, golf course, etc.)
- B. Private Subdivision Local Road. A “*private subdivision local road*” shall be required where a *private subdivision collector road* is not required and a *private subdivision limited local road* is not permitted.
- C. Private Subdivision Limited Local Road. A “*private subdivision limited local road*” shall be permitted where the road serves:
 - (1) No more than five (5) *lots* or principal units.
 - (2) Only as a maintenance and/or emergency access (regardless of the number of *lots* it adjoins provided the road shall not be used to access *lots* and appropriate signage is provided).
- D. Private Driveway Easements. A private “*driveway easement*” shall be permitted where the driveway serves no more than five (5) *lots* (the *lots* served by the easement shall be identified on all plans and plats). *Final plats* must contain a note conveying maintenance responsibility of the *easement* to the homeowners’ utilizing it to access their property. The note shall state *easement(s)* must be maintained to allow clear passage for emergency response *vehicles*. Private *driveway easements* are not allowed in major subdivisions unless 2/3 of lot owners (1 vote per lot owner(s), not one vote per lot) approves the request.
 - (1) Where private driveway easements are used, the surveyor or engineer shall place and execute the following certification on the plat with their seal and registration or license number.

I, _____, Professional Land Surveyor or Professional Engineer, certify that the lot(s) created by this plat is (are) served and accessed by a recorded driveway easement shown hereon. This easement may or may not meet the standards for roads serving subdivisions in the Henderson County Land Development Code. Neither the undersigned nor Henderson County certify whether this easement meets such standards. This the _____ day of _____, 20 ____.

Professional Surveyor or Engineer
- E. Alley. An alley shall be permitted where the residential *lot* is also accessible by another public or private road and the alley serves as primary access for the future homeowner and for utility services (i.e. trash collection). Visitors to the residential *lot* will use the principal access road to the property.

Table 3.3. Subdivision Private Road Standards						
Requirements		Private Road Classification				
		Subdivision Collector	Subdivision Local	Limited Local	Private Driveway Easement	Alley
Number of Residential <i>Lots</i> Served		50+	6 to 49	1-5	1-5	1-49
<i>Right-of-Way</i> Width (ft.)	<i>Roads</i> (feet)	50	45	30	-	20
	<i>Cul-de-sac</i> (radius)	-	50	50	-	-
Easement Width (ft.)		-	-	-	30	-
Sight Distance on Vertical Curves (ft.)		150	110	110	-	-
Center Line <i>Curve Radius</i> (ft.) – See section F. below		90	90	90	-	-
Maximum Grade %	Stone Only	12	15	15	-	-
	Paved Surface	16	18	18	-	-
Minimum <i>Travelway</i> Width (ft.) (two-way road)		18	16	16	-	12
Minimum <i>Travelway</i> Width (ft.) (one-way road)		12	12	12	-	12
Shoulder Width (each side, two-way road) (ft.)		6	4	2	-	-
Shoulder Width (each side, one-way road) (ft.)		2	2	2	-	-
Stone Base (<i>ABC</i>) Compacted (in.)		8	6	6	-	-
Asphalt		(1½ of <i>S-9.5B</i> or <i>BST</i>)				
Cut and Fill Slope		2:1	1.5:1	1.5:1	-	-
Ditch Slope		4:1	3:1	3:1	-	-
<i>Vertical Clearance</i> (ft.)		13.5	13.5	13.5	13.5	13.5

- F. Center Line Curve Radius. The pavement width and stone base indicated in Table 3.3 shall be increased within the curve where the road centerline is less than a 90-foot radius. If the radius is 70 to 90 feet, increase pavement and stone base width by 25 percent. If the radius is 60 to 70 feet, increase the pavement and stone base width by 35 percent. If the radius is 50 to 60 feet, increase the pavement and stone base width by 45 percent. If the radius is 40 to 50 feet, increase the pavement and stone base width by 50 percent. No turn radius shall be less than 40 feet.

§42-110. Additional Road Design Standards Applicable to all Road Classifications.

- A. Intersections. Acceptable angles of intersection are:

- (1) 90 to 75 degrees (preferred)
- (2) 75 to 60 degrees (acceptable under extreme conditions as determined by the reviewing agency).

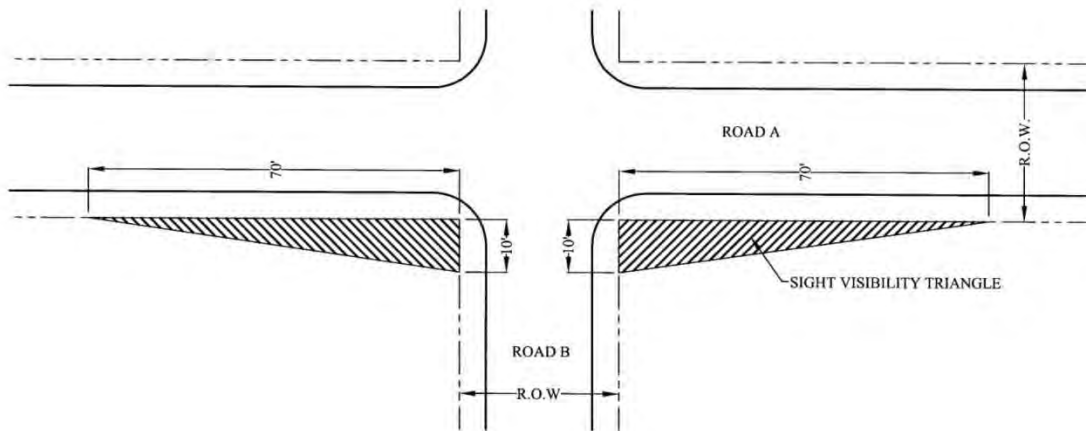
- B. Adequate Sight Distances. Adequate sight distances (see Figure 3B. Sight Visibility Triangle) along a proposed *road* shall be provided by:

- (1) Choosing a good location for the *right-of-way* and clearing *sight visibility triangles* when constructing the *road* (the minimum sight distance is 70 feet along the “existing” *road right-of-way* and ten (10) feet along the “new” *road right-of-way*).
- (2) Providing an adequate place for *vehicles* to stop before entering the *road*.

- (3) Providing an apron design at proposed intersections to permit a *vehicle* to enter when another *vehicle* is waiting to turn.

Figure 3B. Sight Visibility Triangle

Not to Scale



- C. Gates. *Entry gates* shall be constructed and maintained as required by and in accordance with Chapter 47 of the Henderson County Code, *Entry Gates*, and SR 3.7 (Gates and/or Guardhouses).
- D. Dead Ends, Cul-de-sacs and Turnarounds. *Vehicle* turnaround areas shall be provided at the end of all dead-end *roads* (excluding private driveway *easements*) that exceed 300 feet. Loop *roads* should be encouraged where possible in lieu of cul-de-sac or turnarounds. The reviewing agency may also require installation of turnarounds at:
- (1) Intermediate locations along dead end *roads* with a centerline length of greater than 2,500 feet.
 - (2) The end of a *phase* of a project.
 - (3) An intermediate location along any *road* that exceeds 1,500 feet in length.

Acceptable alternative turnaround designs for residential *subdivisions* are shown in Figures 3C, 3D, and 3E. Turnaround areas of a dead-end *road* cul-de-sac shall have a radius of not less than 35 feet.

Figure 3C. Alternative Turnaround Design – Island

Not to Scale

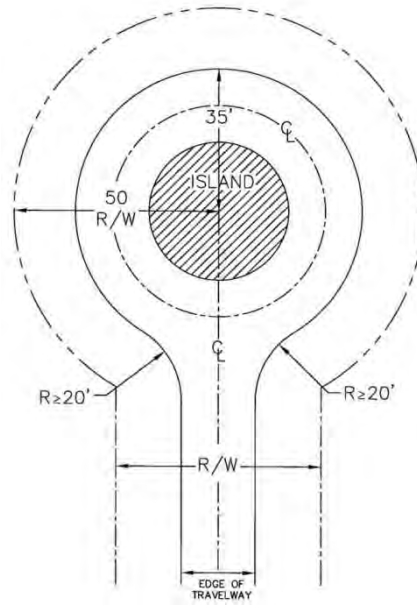


Figure 3D. Alternative Turnaround Design – Branch Turnaround
Not to Scale

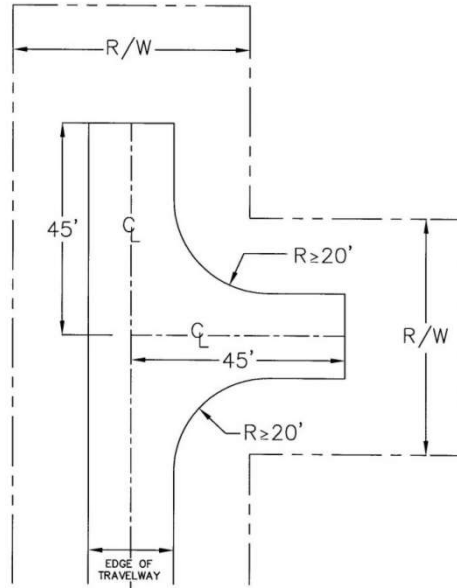
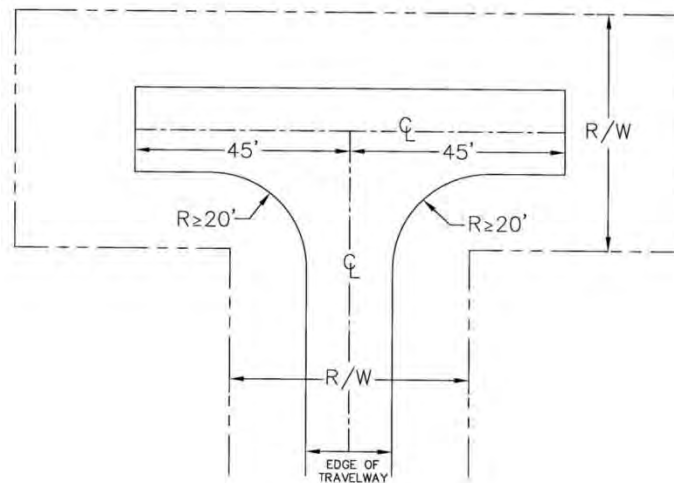


Figure 3E. Alternative Turnaround Design – T Turnaround
Not to Scale



F. Bridges. Bridges shall:

- (1) Be engineered to a minimum weight capacity of 50,000 pounds (For purposes of emergency management *vehicle* access) and documentation shall be provided to indicate such (the 50,000 pound weight capacity requirement shall not apply to *driveways*);
- (2) Adhere to *State Road Standards* for drainage, hydraulics and minimum live load;
- (3) Adhere to standards for *vertical clearance* for roads (See Table 3.3);

- (4) Provide a *travelway* width not less than the *travelway* width of the *road* on either side of the bridge, and in no case less than 12 feet in width;
- (5) Include a paved or gravel turnout on each end of the bridge to provide space for at least one (1) vehicle to safely pull over and allow an oncoming vehicle to traverse the bridge where the *travelway* width is less than 18 feet and is proposed to accommodate two-way traffic; and
- (6) Provide adequate line-of-sight distances for safe operation of two-way traffic.

§42-111. Private Road Standard Reductions

- A. Right-of-way Width Reduction. Right-of-way width requirements may be reduced to 30 feet in width where no more than five (5) lots are proposed and it is unlikely (due to design, topographic conditions or existing development) that any road contained therein would be extended to serve more than five (5) lots.
- B. Centerline Curve Radius Reductions. Centerline curve radius reductions may be reduced to:
 - (1) 80 feet where the existing cross slope on *private subdivision collector roads* is 15 percent or greater, or
 - (2) 60 feet where the existing cross slope on *private subdivision limited local residential subdivision roads* or *private subdivision local residential subdivision roads* is 15 percent or greater.
- C. Shoulder Width Reduction. Shoulder width shall be reduced for:
 - (1) *Private subdivision local roads* and *private subdivision collector roads* to a minimum of two (2) feet in cases where the existing cross slope is 20 percent or greater; and
 - (2) *Private subdivision collector roads* to a minimum of four (4) feet in cases where the existing cross slope is greater than ten (10) but less than 20 percent or greater.
- D. Cut and Fill Slopes. Cut and fill slopes shall be reduced to 1:1 where the existing cross slope is 20 percent or greater. Additional erosion control measures are required in areas where cut and fill slopes utilize this reduction. Enforced by the Erosion Control Administrator.

§42-112. Reserved

§42-113. Reserved

§42-114. Reserved

Subpart E. Subdivision Improvement Guarantees

§42-114. General

Where the required improvements have not been completed, prior to the submission of the *final plat* for approval, the approval of said *plat* shall be subject to the *applicant* guaranteeing the installation of the improvements within thirty (30) months provided the following:

- A. A minimum of twenty-five (25) percent of the required on-site improvements (based on total project cost that the applicant is guaranteeing) is in place. The required improvements shall include rough grading for all proposed roads that are part of said *improvement guarantee*.
- B. All required Federal, State and Local permits for the development must be issued with copies provided to the Subdivision Administrator (includes any required U.S. Army Corps of Engineers permits, NCDENR permits, water supply and distribution system permits, wastewater collection and treatment system permits, approvals for the extension of electrical power service and other necessary utilities, and all applicable Federal and State permits).
- C. All associated design plans and construction specifications for the required improvements (i.e. roads, bridges, water and sewer infrastructure, stormwater infrastructure, pedestrian infrastructure, etc.) including the design engineer's release of such approved plans are submitted to the *Subdivision Administrator*.

§42-115. Cost Estimate Standards

Plans, specifications, quantities, unit costs and estimated total costs shall be provided by the *applicant* to the *Subdivision Administrator*. Cost estimates shall:

- A. Be prepared by a professional engineer licensed in N.C., or certified by a professional land surveyor or landscape architect who is routinely engaged in cost estimates and licensed in N.C., at the *applicant's* expense. Water and sewer system infrastructure improvements shall be prepared by a professional engineer licensed in N.C. at the *applicant's* expense.
- B. Provide a schedule for initiation and completion of work.
- C. Include separate estimates for roads, bridges, water and sewer infrastructure, stormwater infrastructure, pedestrian infrastructure, utilities (including electrical power, natural gas and communication lines), etc. consistent with the approved design plans construction specifications.
- D. Include separate estimates for any off-site infrastructure improvements such as roadways, stormwater system, water system, sanitary sewer system, etc are required to be included in the improvement guarantee.
- E. Include all Federal and/or State mitigation fees due but not paid at the time of the execution of the improvement guarantee. Proof of payment for remediation fees shall be provided to the Subdivision Administrator.
- F. Include all professional engineering and land surveying fees associated with the bidding and award, construction contract administration and engineering certifications associated with the development of the infrastructure for the proposed development.

§42-116. Improvement Guarantee Instrument

- A. Amount of Guarantee. The improvement guarantee shall be in the amount of one hundred twenty-five (125) percent of the cost to complete the work as determined by cost estimates.
- B. Guarantee. The applicant shall guarantee the installation of such improvements in an amount equal to the improvement guarantee cost to complete the work as determined by cost estimates amount by either of the methods described below.
 - (1) Filing a performance or surety *bond* or an irrevocable standby letter of credit.
 - (2) Depositing a certified check or cash.
- C. Release of Funds. Portions of the improvement guarantee may be released as work progresses, provided the following:
 - (1) The applicant submits a new cost estimate as described in §42-117A (Amount of Guarantee) detailing the work that has been complete and the work that is remaining. The amount remaining under the improvement guarantee shall meet or exceed the cost of the remaining improvements.
 - (2) Funds shall not be released if the property is in violation of any laws until the violations are remedied to the satisfaction of the charging party.
 - (3) A total of not more than four (4) requests for release of funds shall be allowed. The first request for release is eligible when twenty-five (25) percent of the work is completed. The second and third request for release is eligible when fifty (50) percent and seventy-five (75) percent of the work is completed. The fourth and final release is eligible upon completion of all required improvements listed in the improvement guarantee. The release of funds must include a professional Engineer's statement certifying that the work has been satisfactorily completed.

§42-117. Amount and Terms of Guarantee; Time Limits

- A. Approval. All guarantees shall be accompanied by a written agreement (performance agreement) specifying the terms and the amount of the guarantee. The *Planning Director* shall have the authority to approve all improvement guarantee applications taking into consideration the amount and terms of the guarantees for improvements (including time of initiation and completion of the work).
- B. Temporary Access and Construction Easement. The applicant shall provide temporary access and permanent construction easements for all infrastructure improvements.
- C. Amount and Terms. The amount of the guarantee shall be sufficient to provide adequate funds to the County to ensure, in the case of default, the installation of all required improvements uncompleted at the time of default. All *improvement guarantees* shall comply with applicable statutory requirements and shall be satisfactory to the County Attorney or Staff Attorney as to form, sufficiency and manner of execution. Guarantees employing lending institutions shall require that those banking corporations be licensed to do business in North Carolina and be from a national association or FDIC registered group.

The following terms shall be stated in the performance agreement:

- (1) The applicant shall be provided 15 days to identify a new security provider or prove alternate security where the security provider is in default, bankruptcy, or otherwise determined to be insolvent by the County after which time the County may redeem the improvement guarantee.
 - (2) The applicant shall provide the County with specific benchmarks for completion of work and, as a term of the agreement, should the applicant fail to meet the self-imposed benchmarks the County may redeem the improvement guarantee.
 - (3) If in violation of any other provision of this Chapter 42, Henderson County Land Development Code, where the applicant has been notified of the violation, and the applicant has been provided the period for remediation authorized by the approving agency, and where applicant is in continued violation, the County may consider this to be a breach of the agreement and call the improvement guarantee to prevent further violation of Chapter 42, Land Development Code.
- D. Time Limits. The *improvement guarantee* is valid for a period of eighteen (18) months from the date of execution.
- E. Extensions. The *Planning Director*, upon proof of difficulty, may grant an extension for a maximum of one (1) additional year. Improvements not completed within thirty (30) months shall be in breach with the requirements of this section and the *improvement guarantee* and any and all monies and accrued interest shall be forfeited by the *applicant*.
- F. Second Improvement Guarantee. If the *Planning Director* has found that the *applicant* has made a good faith effort in completing the required improvements within the thirty (30) months the County may allow the *applicant* to execute a second *improvement guarantee*. Said agreement must be in the form of cash on deposit equal to the cost as described in §42-117A (Amount of Guarantee) of the remaining improvements. The County shall assess an administrative fee equal to ten (10) percent of the new *improvement guarantee* monies.

§42-118. Violations and Penalties

If an *applicant* of a *subdivision* is in *violation* of any County regulations (including Soil Sedimentation and Erosion Control Permits) the County will not release the *improvement guarantee* prior to the expiration date unless the violations are corrected.

The County may charge for the cost for construction and project administration for any *improvement guarantee* that is executed.

§42-119. Reserved

§42-120. Reserved

§42-121. Reserved

§42-122. Reserved

Subpart F. Application, Enforcement and Legal Status Provisions

§42-123. Designation of Agent

The *applicant* for any *subdivision* review or approval procedure may submit, along with any initial application, an affidavit specifying an agent who may represent the *owner* in all matters.

§42-124. Approval Prerequisite to Plat Recordation

Pursuant to *NCGS* §160D-801, and except where otherwise provided in this Chapter, no *final plat* of a *subdivision* within the jurisdiction of this Chapter shall be recorded by the Register of Deeds of Henderson County until it has been approved by the *Subdivision Administrator*, Technical Review Committee, or Planning Board as provided herein. The Register of Deeds shall not file or record a *plat* of the *subdivision* of land, any part of which is located within the jurisdiction of this Chapter that has not been approved in accordance with these provisions. In addition to meeting the requirements of this Chapter, *subdivisions* proposed within designated *water supply watershed* areas shall be subject to the provisions of the *Water Supply Watershed Protection* requirements of this Chapter, and the *Water Quality Administrator* or his designee shall certify on such *plats* that the *subdivision* complies with the provisions of the *Water Supply Watershed Protection* requirements of this Chapter.

§42-125. Certification of Exemptions

Any *plat* of property exempted from the regulations of this Chapter shall be certified by the *Subdivision Administrator* or a professional land surveyor as exempt, prior to such *plat* being recorded. Such *plat* is not exempt from the other requirements set forth in this Chapter or any other local ordinances. Pursuant to *NCGS* §47-30 (f) 11 (Duty of the Surveyor), a professional land surveyor may certify that such *plat* represents an exception to the definition of *subdivision* and is not subject to the provisions of this Article III (Subdivision Regulations). Such *plat* may be recorded without being certified by the *Subdivision Administrator*. Any exemption from the regulations of this Chapter shall not be deemed an exemption from any other applicable ordinance. Any court-ordered *subdivision* should comply, to the maximum extent possible, with the provisions of this Chapter.

§42-126. Plat Approval Required for Building Permit

No building permit may be issued for any construction on any proposed *lot* shown on a development plan until a *final plat* has been approved and recorded, except that a building permit may be issued for one (1) *structure* on one (1) *lot* shown on any approved development plan prior to recordation of a *final plat*. The Building Services Department shall deny building permits for *subdivision lots* created in *violation* with the terms and conditions of this Chapter.

§42-127. Land Auctions

Where application for *major* or *minor subdivisions* is made with the intent that such divided property will be sold at land auction, the *final plat* shall clearly state the following: "The property herein is to be sold by auction. Any further *subdivisions* must meet applicable standards set forth in the Henderson County Land Development Code." In addition, restrictive covenants regarding *road* maintenance for any dedicated *rights-of-way* must be approved in advance by the appropriate reviewing agency and recorded prior to such auction.

§42-128. Limitation on Applications Pending

Only one (1) application for a *subdivision* may be reviewed by any reviewing agency at any one (1) time on any of the original property boundaries. An application is only valid for up to one (1)

year after its submission to the Planning Department. Applications submitted over one (1) year prior must be updated and resubmitted.

§42-129. Violations and Penalties

If an *applicant* of a *phased minor* or is in *violation* of any regulation in Article III (Subdivision Regulations) for the first *phase* of the *subdivision* then the *applicant* will not be allowed to continue developing future *phases* of the *subdivision* and any County issued permits may be revoked or suspended by the County. Upon verification by Henderson County Planning Staff that the *subdivision* no longer violates the provisions of Article III (Subdivision Regulations), *subdivision* approval and any suspended permits will become valid. The *applicant* may reapply pursuant to applicable provisions of the Land Development Code to have any revoked permits reinstated.

§42-130. Reserved

§42-131. Reserved

§42-132. Reserved

§42-133. Reserved

§42-134. Reserved

August 5, 2024

August 5, 2024

August 5, 2024

August 5, 2024

ARTICLE IV
ADEQUATE PUBLIC FACILITIES REGULATIONS

§42-135. Traffic Impact Study

A Traffic Impact Study (TIS) may be required to evaluate the effect a proposed development will have on the County's existing traffic system and may require specific improvements to mitigate the impact on public *roads* with the approval of *NCDOT* or applicable municipality.

A. Requirement Thresholds. A TIS is required for any proposed development that meets any of the following requirement thresholds:

- (1) Any residential subdivision proposing 100 or more lots/units.
- (2) Any *residential* or *nonresidential development* proposed to generate an average daily traffic count of 1,000 plus vehicles per day or 100 plus trips during peak traffic hour. This traffic count must be based on the latest version of the Institute of Transportation Engineers (ITE) Trip Generation Manual.
- (3) Any expansion or change to an existing or proposed *residential* or *nonresidential development* that would generate an additional 1,000 plus vehicles per day or 100 plus trips during peak traffic hour. This traffic count must be based on the latest version of the Institute of Transportation Engineers (ITE) Trip Generation Manual.

Notwithstanding the above, a TIS shall not be required if the property to be developed has been the subject of a TIS within the previous three (3) years and the projected trip generation of the newly proposed development is equal to or less than the previous TIS performed and the trip distribution has not significantly changed.

B. Traffic Impact Study (TIS) Guidelines.

- (1) Any TIS, whether required or voluntarily, must be prepared by a licensed engineer and submitted as part, or as a condition, of the master plan approval or *site plan* approval. Prior to conducting the TIS, the developer must meet with County Staff, the *Technical Review Committee*, and *NCDOT* to identify certain assumptions that shall be addressed in the TIS.
- (2) An executive summary shall be provided with the TIS outlining the following: (1) detailed description of the proposed development, (2) number of access points proposed and studied, (3) existing and future Level of Service (LOS) for studied intersections and *road* segments including the LOS at the time of build-out, (4) existing traffic counts for *road(s)* and intersection(s) studied and dates/times counts were conducted, (5) AM and PM Peak Hour Trips, (6) Average Daily Trips created by the development at build-out, (7) Existing Traffic Accident Counts, and (8) any recommended improvements.
- (3) The TIS shall address the: (1) proposed land use, (2) site access and site distances at all proposed access points, (3) impacts on the transportation system from the proposed development, and (4) physical improvements or enforceable management strategies to mitigate negative impacts.

- (4) The TIS shall take into consideration proposed/planned NCDOT roadway improvement projects as identified on the Metropolitan Transportation Improvement Program (MTIP), State Transportation Improvement Program (STIP), the French Broad River Metropolitan Planning Organization Long Range Plan, and the Comprehensive Transportation Plan.
 - (5) The TIS shall identify the improvements necessary to maintain Level of Service (LOS) D for *roads* and intersections as defined in the Highway Capacity Manual.
 - (6) Recommended improvements within the TIS shall take into account the Traffic Impact Study Improvement Requirements listed in §42-136 (Traffic Impact Study) (C).
- C. Traffic Impact Study (TIS) Improvement Requirements. The approving authority for all subdivisions requiring a TIS may require additional mitigation standards or offsite improvements provided when improvements are acceptable by NCDOT or applicable municipality. However, a TIS shall not be utilized as a means for the County to require the party developing the property to make needed transportation improvements remote from and not affected by the property for which the TIS is submitted, nor shall identified deficiencies in LOS automatically preclude approval of the proposed development.
- (1) Left Turn Lane, Right Turn Lane, and/or Right Turn Taper: Based on requirements of the NCDOT Policy on Street and Driveway Access to North Carolina Highways or other NCDOT standards.
 - (2) Additional *Right-of-Way*: If a subject development falls along a *road* projected to be widened by NCDOT or an adopted County plan, additional *right-of-way* along the development's *road frontage* shall be dedicated as deemed acceptable by NCDOT.
 - (3) Offsite Improvements: If a *road* segment or intersection is currently performing at LOS-D or better and is projected to perform at LOS-E or F at the time of build-out, improvements must be made to maintain the *road* segment or intersection at LOS-D. If a *road* segment or intersection is currently performing at LOS-E or F and is projected to continue to perform at LOS-E or F at the time of build-out, the TIS shall demonstrate how an LOS-D could be achieved and also specify what improvements must be made to ensure that the *road* segment or intersection is not degraded any further than the current levels. The County may require improvements be made to preserve the existing LOS.
 - (4) Other Necessary Improvements: Additional improvements may be required based on the TIS recommendations related to topographic/environmental conditions, sight distance, street offsets, conflicting movements, existing traffic accident counts, circulation, and other potential traffic issues resulting from the proposed development. Additionally, the approving authority may determine that additional improvements are necessary to ensure the safety and welfare of the County's citizens and travelers.

§42-136. Emergency Services Impact Report

An Emergency Services Impact Report (ESIR) may be required to evaluate the public safety of a proposed development and the effect it will have on the County’s existing Fire and Emergency Medical Services (EMS). The report and requirements are in addition to those requirements and review of the internal design of the development. An ESIR shall be required for subdivisions proposing one-hundred lots/units or more, or subdivisions proposing more than 50 units located more than five (5) *road* miles from a fire station and shall be submitted as part of master plan approval.

- A. Proximity and Impact to Existing Services. Residential and nonresidential *subdivisions* shall provide documentation to identify if a proposed development or portion thereof is outside of a Fire Insurance District or is more than five (5) *road* miles from an existing fire station. The developer shall also provide documentation identifying the response time to the nearest existing EMS station based on an average 35 miles per hour. The ESIR shall state the location of the EMS substation, the response time in minutes, the route from the proposed development including *road* names and classifications, number of passing areas and posted speed limits, and the method of calculation.
- B. Fire Suppression Water Supply. Residential and nonresidential *subdivisions* shall provide documentation to identify water resources for fire suppression. The developer shall also provide documentation identifying the type of water source (static or pressurized), number and spacing of hydrants, capacity, flow rate in gallons per minute, and static and residual pressures.
- C. Based on the findings of the ESIR and the recommendation of County Staff or the approving authority, a proposed development may be required to be built at a maximum density of one (1) unit per three (3) acres. However, the developer may volunteer to provide emergency equipment, vehicles, land and/or facilities to the County to serve the development in order to waive the density reduction, provided the County decides the site is appropriate for a new fire or EMS substation.

- §42-137. Reserved**
- §42-138. Reserved**
- §42-139. Reserved**
- §42-140. Reserved**
- §42-141. Reserved**
- §42-142. Reserved**
- §42-143. Reserved**
- §42-144. Reserved**
- §42-145. Reserved**
- §42-146. Reserved**
- §42-147. Reserved**
- §42-148. Reserved**

- §42-149. Reserved
- §42-150. Reserved
- §42-151. Reserved
- §42-152. Reserved
- §42-153. Reserved
- §42-154. Reserved
- §42-155. Reserved
- §42-156. Reserved
- §42-157. Reserved
- §42-158. Reserved
- §42-159. Reserved
- §42-160. Reserved
- §42-161. Reserved
- §42-162. Reserved
- §42-163. Reserved
- §42-164. Reserved

August 5, 2024

August 5, 2024

**ARTICLE V
LANDSCAPE DESIGN STANDARDS**

§42-165. General

The requirements set forth in this Article shall be complied with in addition to any other general or specific requirements of this Chapter. The regulations of this Article apply to: (1) the establishment and operation of a new use; (2) the entire property where any expansion of *floor area*/paved surface equals or exceeds 50 percent of the pre-expansion area; and (3) those portions of property which extend around and are parallel to the expansion of *floor area*/paved surface where the expansion area is less than 50 percent of the pre-expansion area. These requirements in no way relieve a *use* of having to meet all local, state and federal laws pertaining to the establishment and operation of that *use*.

Subpart A. Buffer Requirements

§42-166. General

The landscaping standards of this subpart provide requirements for all buffering. This section provides standards for each *buffer* type. The following standards shall be in effect to provide an appropriate transition between *uses*, and compliance therewith is required for the establishment and operation of a new *use*.

§42-167. Buffer Determination

Buffers will be determined by identifying the zoning districts of adjacent land *use(s)*. Table 5.1 outlines *buffers* required between zones. Where the property shares a boundary with more than one (1) zone, the width of the most intense *buffer* shall be required along the perimeter of the area to be developed; however, the plant materials required shall be calculated and placed based on the respective applicable *buffer*. See §42-168 (Plant Material) for required plant material.

Table 5.1 Buffer Requirements			
Zoning District	Industrial	Commercial	Residential
Industrial	N/A	B1	B2
Commercial	B1	N/A	B1
Residential	B2	B1	N/A

§42-168. Plant Material

Table 5.2 describes the width and plant material requirements for the *buffers* identified in Table 5.1. The length of the perimeter of the area to be developed shall be used in determining the number of plants required.

Table 5.2 Buffer Width and Plant Material Requirements					
Buffer Type	Width (ft)	Plant Material Required Per 100 Linear Feet			
		Deciduous Trees		Evergreen Trees	
		Large	Small	Large	Small
B1	20	1	2	2	6
B2	30	2	3	5	12

§42-169. Plant Material Placement

The placement of *buffer* plantings shall be at the discretion of the developer, and shall be approved as part of the *site plan* submitted. *Trees* or *shrubs* shall not be planted within five (5) feet of any property line to ensure maintenance for access and to avoid encroaching onto the adjacent property. Where a *setback* requirement is less than the *buffer* requirement, the *buffer* width shall override the *setback* width. Where a *setback* requirement is greater than the *buffer* requirement, plant material requirements shall still be applied and such plant materials shall be placed within the *buffer* area. *Trees* and *shrubs* shall be spaced to provide *screening*.

Subpart B. Parking Lot Landscaping Standards

§42-170. General

The landscaping standards of this subpart provide requirements for all parking lots consisting of ten (10) or more spaces. The following standards shall be in effect for each parking lot of this size, and compliance therewith is required for the establishment of a new or expansion of an existing parking lot.

§42-171. Plant Material Placement

For every five (5) parking spaces one (1) *small* or *large deciduous tree* shall be required.

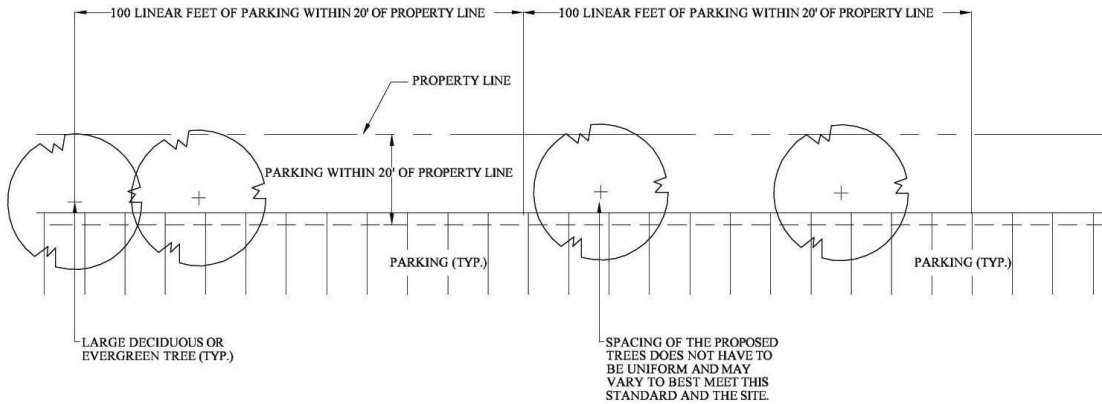
Plant material shall be placed within the parking lot or within 20 feet of the perimeter of the parking lot. All parking spaces shall be within 60 feet of a *tree*, as measured from the *tree* trunk to any portion of a parking space.

§42-172. Planting Strip

When no *buffer* is required along front, side, and rear property lines of a development and parking is proposed within 20 feet of said property lines, a planting strip is required. The planting strip shall be a minimum of ten (10) feet in width and shall contain two (2) *small* or *large deciduous* or *evergreen trees* per 100 linear feet (see Figure 5A). A planting strip design may include *small* and *large deciduous* and *evergreen trees* and *shrubs*. For the purpose of a planting strip, six (6) *shrubs* shall be considered equivalent to one *small* or *large deciduous* or *evergreen tree*.

Figure 5A. Planting Strip

Not to Scale, Dimensions May Vary



§42-173. Parking Island

When parking lots contain multiple bays of parking, parking islands shall be installed and one-third (1/3) of the required plant material for the parking lot shall be placed within the islands. A parking island shall be a minimum area of 130 square feet per *tree* and a minimum width of eight (8) feet (measured from back-of-curb to back-of curb or edge of pavement to edge of pavement). Flat curbed islands or islands with curb cuts designed to be used as bio-retention areas (for treating *stormwater runoff*) should be used, where possible.

§42-174. Non-Curbed Parking Lot

Plant material placed within six (6) feet of the edge of pavement must be *bermed* or have installed wheelstops or bollards to ensure that parking/moving cars do not damage the plant material. The *Zoning Administrator* may approve other methods to protect plant materials on a case-by-case basis.

Subpart C. Street Tree Requirements (Major Subdivisions)

§42-175. General

The landscaping standards of this Article provide requirements in order to: (1) improve the aesthetic quality of the County; (2) encourage the preservation of existing *trees* and vegetation; (3) replenish *trees* and vegetation removed due to development; and, (4) reduce *stormwater runoff*, decrease *erosion*, improve water quality and protect wildlife habitat. These requirements in no way relieve a *use* of having to meet all local, state and federal laws pertaining to the establishment and operation of that *use*. The landscaping standards of this subpart provide requirements for street *trees*. This section provides general standards for street *trees*. The following standards shall be in effect for *major subdivisions*, and compliance therewith is required for the establishment of a *major subdivision*.

§42-176. Plant Material

Trees shall be required at the rate of either:

- A. One (1) *large deciduous tree* per 50 linear feet of property abutting an *internal road*; or
- B. (Where overhead utilities are present) one (1) *small deciduous tree* per 40 linear feet of property abutting an *internal road*.

§42-177. Plant Material Placement

Trees shall be placed within the *right-of-way* or within 20 feet of the edge of the *right-of-way*. *Trees* may be placed in groups with a minimum spacing of no less than 15 feet and a maximum spacing of no more than 65 feet. Where street *trees* are required in the vicinity of existing/proposed above grade power lines the following shall apply: (1) *trees* may be placed up to 30 feet from the edge of the *right-of-way* to prevent interference with power lines; or, where this is not possible, (2) *trees* may be placed elsewhere within the development in proposed *buffers*, parking lot landscaping, etc.

Subpart D. Screening and Fencing Requirements

§42-178. General

The landscaping standards of this subpart provide requirements for *screening of uses*. This section provides general and use specific standards for *screening*. The following standards shall be in effect for *uses* identified as requiring *screening*, and compliance therewith is required for the establishment of a new *use* or change in *use* where *screening* is required.

§42-179. Plant Material Placement

The exact placement of screen plantings shall be at the discretion of the designer or developer, and shall be approved as part of the *site plan*. Plants should be installed to provide a year-round screen when viewed from adjacent property. *Trees* or *shrubs* shall not be planted within five (5) feet of any property line to ensure maintenance access and to avoid encroaching onto the adjacent property. Proposed landscaping shall not interfere with the access and operation of the *use* which is being screened.

§42-180. Buffer Type and Screening

A screen shall not be required along those portions of the *use* where it runs parallel to and is within 20 feet of a *Buffer* (B1 or B2).

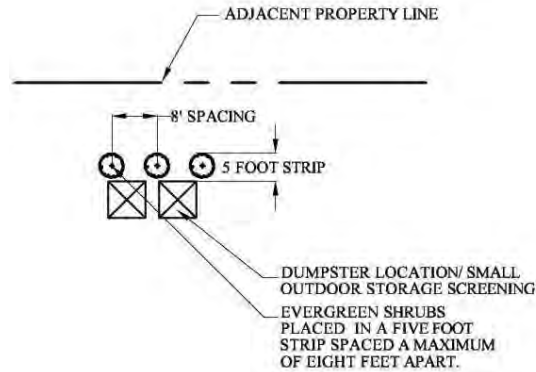
§42-181. Screen Classification

Screen Classes include:

- A. Screen Class One (1). A continuous hedge of *evergreen shrubs* (a minimum of eight (8) feet in height at maturity) planted in a five (5) foot strip spaced a maximum of eight (8) feet apart (see Figure 5B).

Figure 5B. Screen Class One (1)

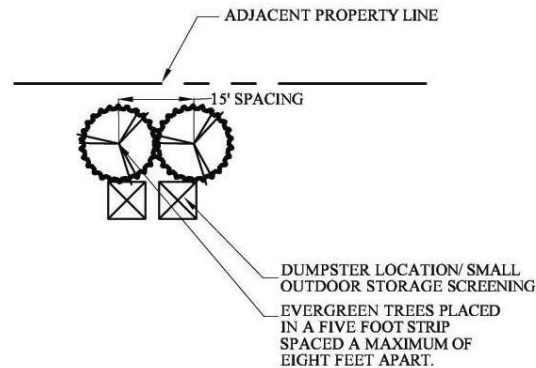
Not to Scale



- B. Screen Class Two (2). A row of *conical evergreen plants* (a minimum of eight (8) feet in height at maturity) planted in the 15 foot area around that *use and structure* which is to be screened, and spaced a maximum of 15 feet apart (see Figure 5C).

Figure 5C. Screen Class Two (2)

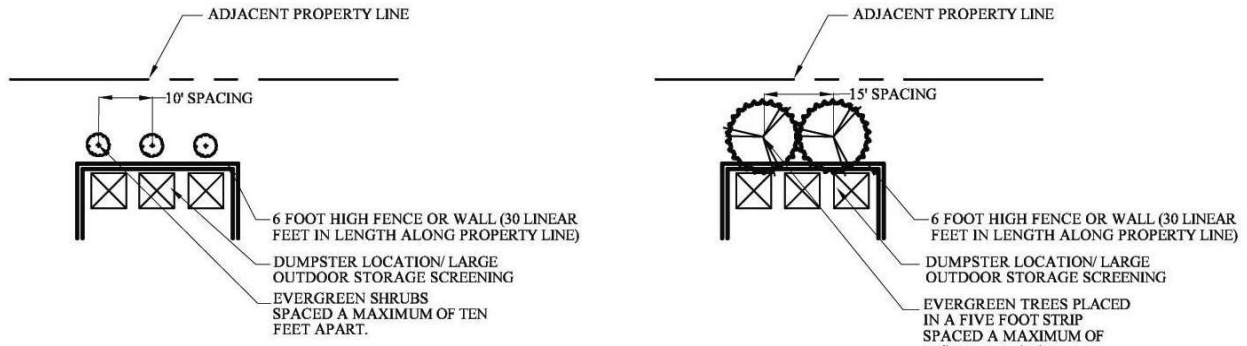
Not to Scale



- C. Screen Class Three (3). A fence or wall constructed with a minimum height of six (6) feet, that is at least 75 percent *opaque*, where all spaces are evenly distributed, and with the finished side of the fence facing the adjacent property or *road*. Fences longer than 20 linear feet shall be landscaped with: a row of *shrubs* spaced a maximum of ten (10) feet apart, or a row of *evergreen trees* planted no more than 15 feet apart (see Figure 5D).

Figure 5D. Screen Class Three (3)

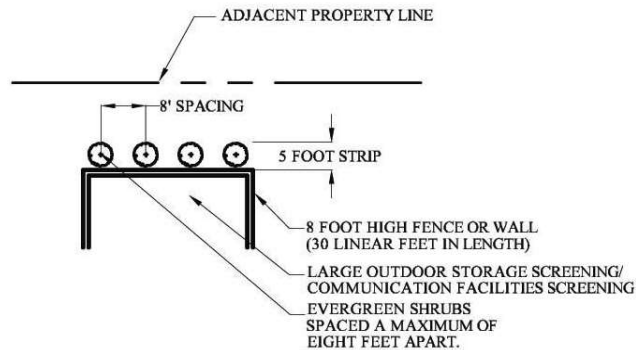
Not to Scale



D. Screen Class Four (4). A fence or wall constructed with a minimum height of eight (8) feet designed to facilitate the movement of maintenance and emergency response equipment to and from the proposed site. Gates should be secured at all times (unless for maintenance, inspection, or other unforeseen instances) following the completion of construction. Fencing may be in common with other *existing uses* on site. Fences longer than 20 linear feet shall be landscaped (excluding the gate area) with: a continuous hedge of *evergreen shrubs* planted in a five (5) foot strip spaced a maximum of eight (8) feet apart. The *Zoning Administrator* may require additional *screening* to minimize adverse impacts of ground level lighting (where installed) (see Figure 5E).

Figure 5E. Screen Class Four (4)

Not to Scale



Subpart E. General Landscaping Standards

§42-182. General

The landscaping standards of this subpart provide requirements, standards and options applicable to all other subparts and sections within this Article.

§42-183. Plant Specifications

A. Plant Standards. Plant material shall: (1) meet the requirements of the latest edition of the American Standards for Nursery Stock (ANSI 260.1); (2) be healthy; and (3) be free of disease/insect infestation.

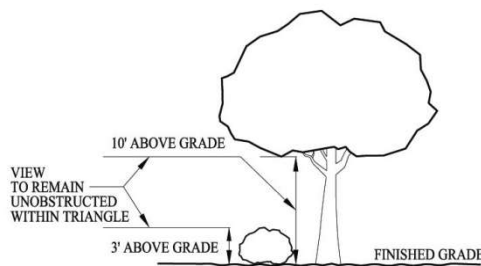
B. Plant Material Size. Minimum plant size requirements are established to provide *tree* canopies and revegetate a site. Table 5.3 shows plant material size as required by this Chapter.

Table 5.3. Tree and Shrub Requirements			
Tree/Shrub Type		Height at Maturity (ft.)	Minimum Size at Planting
Deciduous	Large Tree	≥ 35	2 inches in <i>caliper</i> ; 12 to 14 ft. in height
	Small Tree	< 35	1 ½ inches in <i>caliper</i> ; 8 to 10 ft. in height
	Shrub	> 4	3 gallon container or 10 inch root ball; 18 inches in height
Evergreen	Tree	> 20	6 ft. in height
	Conical Tree	≥ 15	3 gallon container or 10 inch root ball; 18 inches in height
	Shrub	> 4	3 gallon container or 10 inch root ball; 18 inches in height
	Conical Shrub	≥ 8	3 gallon container or 10 inch root ball; 18 inches in height

C. Plant Material Placement. Plant material shall be permitted in the *sight visibility triangle* (see Figure 5F) provided the area within the *sight visibility triangle* remain permanently unobstructed between three (3) and ten (10) feet above grade.

Figure 5F. Sight Visibility Triangle Plantings

Not to Scale



§42-184. Credits for Preserving Existing Trees

Tree groupings and individual *trees* should be preserved. Preserved *trees* will be credited toward any requirement of this Article, and must be indicated on the *site plan* submitted.

A. Tree Credit Rate. Preserved *trees* must be healthy and free of disease/insect infestation. Protection of *critical root zone* shall be required to ensure good health and condition (improper installation of protective measures will result in losing tree credits). Credits for preserving existing *trees* are indicated in Table 5.4. *Critical root zone* protection requirements are indicated in subsection B below.

Table 5.4. Tree Credits	
Existing Tree Caliper (inches)	Number of Tree Credits Given
2- 6	1
7-12	2
13-18	3
19-24	4
25 or greater	5

B. Critical Root Zone Protection. *Critical root zone* is the area around a *tree* calculated at a rate of one (1) foot radius for every one (1) inch of *tree* diameter. Protecting *critical root zone* involves installing tree protective fencing and (in some cases) silt fencing, as detailed below.

(1) Tree Protective Fencing. Tree protective fencing shall be installed (see Figure 5G and Figure 5H) around the *critical root zone* determined for each *tree* to be preserved.

Figure 5G. Tree Protective Fencing (Plastic)

Not to Scale

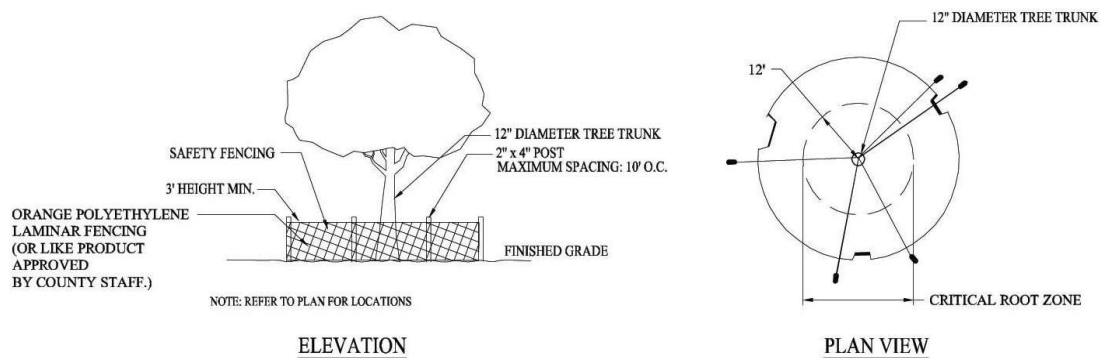
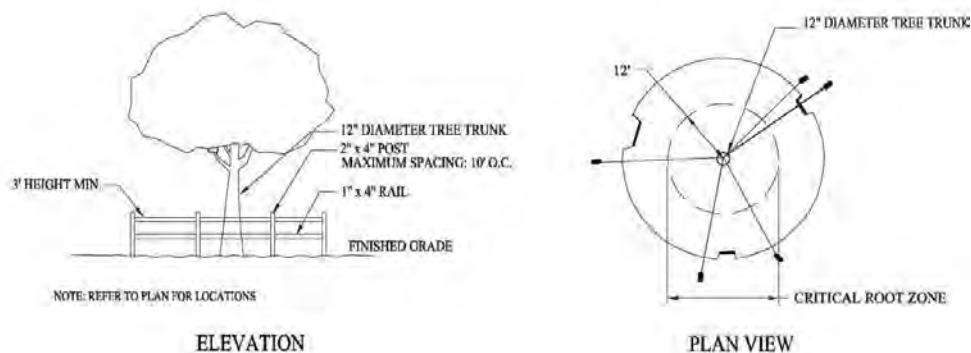


Figure 5H. Tree Protective Fencing (Post and Rail)

Not to Scale



(2) Silt Fencing. Where silt fencing is required for *sedimentation/erosion* control such silt fencing shall be installed as per North Carolina Department of Environment

and Natural Resources (*NCDENR*) regulations. Improper installation of silt fencing and/or lack of fencing (where required) will result in losing tree credits.

- C. Replacement of Credited Trees. If a credited *tree* dies within in one (1) year of the date of issuance of a *zoning permit*, it must be replaced by the current property *owner* with the number of *trees* for which credit was received. (Example: A *tree* (12 inch *caliper*) credited towards the landscaping requirements dies, so the developer must replace it with two (2) *trees* that meet the installation size requirements as outlined in §42-183 (Plant Specifications)).

§42-185. Landscaping Improvement Guarantee

Where plant material is unavailable or during times of drought/inclement weather, the plant material required may be *bonded*. All guarantees shall be accompanied by a written agreement (performance agreement) specifying the terms and the amount of the guarantee. Following receipt of an *improvement guarantees* application, the *Zoning Administrator* shall prepare formal recommendations as to amount and terms of the guarantees for improvements, including time of initiation and completion of the work (and a requirement that temporary or permanent seeding be installed to prevent *sedimentation* and *erosion* problems until required plant material is placed). The time of completion for work shall not exceed six (6) months. The *Zoning Administrator* shall verify that the amount of the guarantee is sufficient to provide adequate funds to the County to ensure, in the case of default, the installation of all required improvements not completed at the time of default. All guarantees shall comply with applicable statutory requirements and shall be satisfactory to the County Attorney as to form, sufficiency and manner of execution. Guarantees employing lending institutions shall be institutions which are licensed to do business in North Carolina.

§42-186. Alternative Compliance

Site conditions or other reasons may justify the need to request an alternative method of compliance with this Article. The Technical Review Committee may alter the requirements of this Article so long as existing/proposed landscape features of the development comply with the intent of this Article. Requests for alternative compliance shall be accepted where:

- A. Topography, geologic features, drainage channels, streams, existing natural vegetation, overhead utilities, underground utilities, *lot* limitations (size, space or unusual shape), unique relationships to other properties, or other conditions make it unreasonable to meet landscape requirements; or
- B. An alternative compliance plan is equal or superior to normal compliance in its ability to fulfill the intent of this Article.

§42-187. Reserved

§42-188. Reserved

§42-189. Reserved

§42-190. Reserved

§42-191. Reserved

Subpart F. Landscaping Recommended Species List

Table 5.5. Recommended¹ Large Deciduous Trees	
Scientific Name	Common Name
Aesculus hippocastanum	Common Horsechestnut
Acer buergeranum	Trident Maple
Acer griseum	Paperbark Maple
Acer palmatum	Japanese Maple
Acer rubrum	Red Maple
Acer saccharum	Sugar Maple
Amelanchier canadensis	Serviceberry
Betula nigra	River Birch
Betula papyrifera	Paper Birch
Carya ovata	Shagbark Hickory
Carya glabra	Pignut Hickory
Carya cordiformis	Hackberry
Cercidiphyllum japonicum	Katsura Tree
Cladastris lutea	Yellowwood
Fagus grandiflora	American Beech
Fraxinus americana	White Ash
Fraxinus pennsylvanica	Green Ash
Gingko biloba	Gingko (male only)
Gymnocladus dioicus	Kentucky Coffeetree
Liquidambar rotundiloba	Fruitless Sweetgum
Liriodendron tulipifera	Tulip Poplar
Maackia amurensis	Amur Maackia
Nyssa sylvatica	Black gum
Oxydendron arborea	Sourwood
Platanus occidentalis	Sycamore
Quercus accustissima	Sawtooth Oak
Quercus alba	White Oak
Quercus bicolor	Swamp White Oak
Quercus coccinea	Scarlet Oak
Quercus falcata	Southern Red Oak
Quercus laurifolia	Laurel Oak
Quercus nigra	Water Oak
Quercus palustris	Pin Oak
Quercus phellos	Willow Oak
Quercus rubra	Red Oak
Quercus shumardi	Shumard Oak
Salix babylonica	Weeping Willow
Taxodium distichum	Bald Cypress
Tilia americana	American Linden
Tilia cordata	Littleleaf Linden
Ulmus alata	Winged Elm
Zelkova serrata	Japanese Zelkova

¹ Species which are not included on the recommended species list may be used, but the applicant must show that the plant materials meet the standards of Article V and are appropriate for the area.

Table 5.6. Recommended¹ Small Deciduous Trees	
Scientific Name	Common Name
Acer campestre	Hedge Maple
Carpinus caroliniana	American Hornbeam
Cercis canadensis	Redbud
Cornus florida	Dogwood
Cornus kousa	Kousa Dogwood
Cornus mas	Corneliancherry Dogwood
Cornus amomum	Silky Dogwood
Chionanthus virginicus	Fringetree
Crataegus phaenopyrum	Washington Hawthorne
Halesia tetraptera	Mountain Silverbell
Hamamelis mollis	Chinese Witchhazel
Hamamelis vernalis	Vernal Witchhazel
Koelreutaria paniculata	Golden Rain-tree
Ostrya virginiana	Ironwood
Prunus serrulata 'Kwanzan'	Kwanzan Cherry
Prunus subhirtella 'Pendula'	Weeping Cherry
Prunus yedoensis	Yoshino Cherry
Prunus caroliniana	Carolina Cherry Laurel
Rhus typhina	Staghorn Sumac
Stewartia koreana	Korean Stewartia
Styrax japonicus	Japanese Snowball

¹ Species which are not included on the recommended species list may be used, but the *applicant* must show that the plant materials meet the standards of Article V and are appropriate for the area.

Table 5.7. Recommended¹ Evergreen Trees	
Scientific Name	Common Name
Chamaecyparis obtuse*	Hinoki Falsecypress
Chamaecyparis pisifera*	Japanese Falsecypress
Cryptomeria japonica*	Japanese Cryptomeria
Cupressocyparis leyandii*	Leyland Cypress
Juniperus Virginiana*	Eastern Red Cedar
Magnolia grandiflora*	Southern Magnolia
Magnolia grandiflora 'Little Gem'*	Little Gem Magnolia
Picea abies*	Norway Spruce
Pinus strobus	White Pine
Pinus echinata	Short-leaf Pine
Pinus taeda	Loblolly Pine
Pinus virginiana	Virginia Pine
Thuja occidentalis*	American Arborvitae
Tsuga Canadensis*	Eastern Hemlock
Tsuga Caroliniana*	Carolina Hemlock

¹ Species which are not included on the recommended species list may be used, but the *applicant* must show that the plant materials meet the standards of Article V and are appropriate for the area.

* Plants that are conical *evergreens*.

Table 5.8. Recommended¹ Deciduous Shrubs

Scientific Name	Common Name
Abelia grandiflora	Glossy Abelia
Callicarpa americana	American Beautyberry
Calycanthus floridus	Common Sweetshrub
Chaenomeles speciosa	Flowering Quince
Clethra alnifolia	Sweet Pepperbush
Cornus sericea	Redosier Dogwood
Forsythia x intermedia	Border Forsythia
Fothergilla gardenia	Dwarf Fothergilla
Fothergilla major	Fothergilla
Hydrangea species	Hydrangea
Ilex verticillata	Winterberry
Itea virginiana	Virginia Sweetspire
Nandina domestica	Nandina
Rhododendron species	Azaleas
Spirea species	Spireas
Viburnum species	Viburnums

¹ Species which are not included on the recommended species list may be used, but the *applicant* must show that the plant materials meet the standards of Article V and are appropriate for the area.

Table 5.9. Recommended¹ Evergreen Shrubs

Scientific Name	Common Name
Buxus sempervirens	Common Boxwood
Ilex species	Hollies
Juniperus chinensis pfitzeriana	Pfitzer Juniper
Juniperus chinensis hetzi	Hetzi Juniper
Leucothoe fontanesia	Drooping Leucothoe
Mahonia bealei	Leatherleaf Mahonia
Pieris floribunda	Mountain Pieris
Pieris japonica	Japanese Pieris
Prunus laurocerasus 'Otto Luyken'	Otto Luyken Laurel
Prunus laurocerasus 'Schipkaensis'	Schip Laurel
Prunus laurocerasus 'Zabeliana'	Zabel Laurel
Pyracantha coccinea	Scarlet Firethorn
Rhododendron species	Rhododendrons
Taxus species	Yews
Viburnum x pragense	Prague Viburnum
Viburnum rhytidophyllum	Leatherleaf Viburnum

¹ Species which are not included on the recommended species list may be used, but the *applicant* must show that the plant materials meet the standards of Article V and are appropriate for the area.

Table 5.10. Holly Species that May Be Used for Screening¹

Scientific Name	Common Name
Ilex x 'Mary Nell'	Mary Nell Holly
Ilex x 'Nellie R. Stevens'	Nellie R. Stevens Holly
Ilex species	Red Holly hybrids
Ilex species	Blue Holly hybrids

¹ Species which are not included on the recommended species list may be used, but the *applicant* must show that the plant materials meet the standards of Article V and are appropriate for the area.

August 5, 2024

August 5, 2024

August 5, 2024

August 5, 2024

**ARTICLE VI
OFF-STREET PARKING AND LOADING STANDARDS**

Subpart A. Off-Street Parking and Loading Standards

§42-192. General

Permanent off-street parking and loading shall be required where the erection, alteration, enlargement, establishment or change in *use* of a *structure* or *outside/outdoor use* of land occurs. Any permit application or *site plan* submitted shall include information as to the location and dimensions of off-street parking and loading, the means of entrance and exit to each parking space, and the basis of determining the number of necessary parking spaces.

§42-193. Required Number of Spaces for Off-Street Parking

Parking shall be provided and maintained in accordance with the rates indicated below.

Table 6.1 Required Parking	
Use Classification	Number of Parking Spaces Required
Residential-Single-Family Dwellings	Two (2) spaces per each <i>dwelling unit</i>
Residential-Multi-Family Dwellings	One and one-half (1.5) spaces per each <i>dwelling unit</i>
Commercial, Office, Institutional, Civic	One (1) space per each 500 square feet of <i>gross floor area</i>
Industrial, Warehouse	One (1) space per each 4,000 square feet of <i>gross floor area</i>

§42-194. Design of Parking Areas

A. Maneuvering Space.

1. Single-Family Dwellings. Off-street parking for *single-family dwellings* which require backing into a residential service *road* shall be permitted provided that such movement can be made with reasonable safety and without interfering with other traffic.
2. Nonresidential and Multifamily Development. Off-street parking for nonresidential and multifamily development shall not be designed in a manner which would require backing into a *public road*.

B. Connectivity. Parking facilities shall be designed to connect with parking facilities on adjacent *lots* (where developed after the adoption date of this Chapter), where appropriate and approved by the adjacent property *owner*, to eliminate the need to use the abutting *road(s)* for cross movements.

C. Handicapped Space. Handicapped spaces shall be provided as required by the North Carolina State Building Code.

D. Lighting Standards. *Lighting mitigation* shall be required, as defined by this Chapter.

E. Landscaping. Parking lot landscaping shall be provided as set forth in Article V.

- F. Parking Island. Flat-curbed parking islands or islands with curb cuts designed for use as bio-retention areas for treating *stormwater runoff* are highly recommended.
- G. Fire Code. *Nonresidential development* and multifamily development parking areas shall comply with applicable fire code provisions as adopted by the State or the County.
- H. Entrances. Parking lot entrances shall be located at the furthest point from intersections as possible when the entrance is not part of an intersection.
- I. Drive-through Stacking Lanes. Access points for drive-through stacking lanes shall be located away from *public roads* and *driveways* so that queued *vehicles* do not block the traffic along *public roads* or the movement of other *vehicles* on site. The entrance and exit from a drive-through lane or designated drive-up parking space(s) shall be internal to the site and not a separate entrance/exit to or from the *road*. The total length of on-site stacking lane(s), taken together, shall be a minimum of 200 feet if site access is provided directly from a *collector, thoroughfare, boulevard, or expressway*; a minimum of 100 feet if site access is provided directly from a *local road*.

§42-195. Placement of Parking

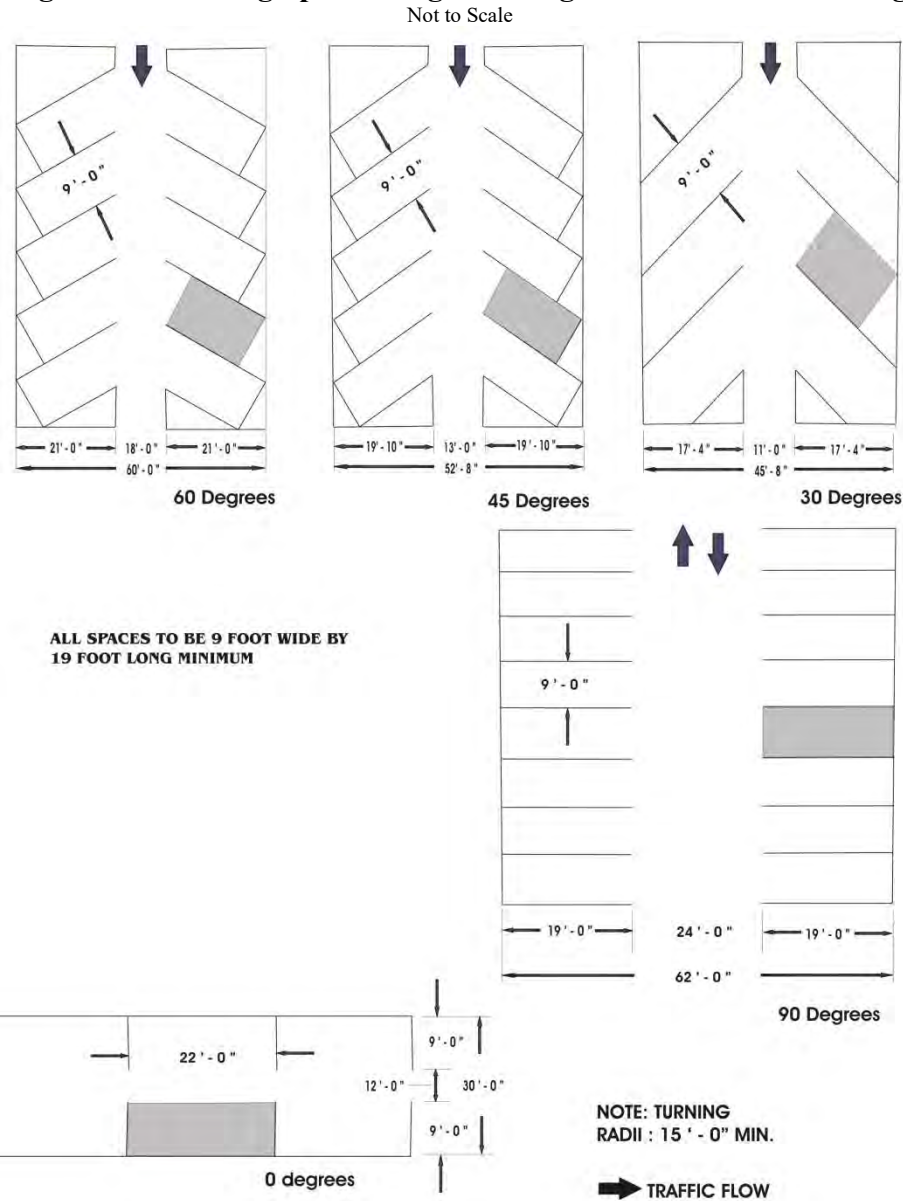
Parking shall be placed on site with the *principal use* and shall be designated as parking only for that *use* except where remote parking is requested. Remote parking is permitted if the off-street parking space cannot be reasonably provided on the same *lot* on which the *principal use* is located. Remote off-street parking must be located within 400 feet of the associated *principal use*, and shall not be reduced or encroached upon in any manner.

A. Parking Spaces.

- (1) Angled Parking Spaces. The minimum design *vehicle footprint* shall be a rectangle nine (9) feet in width and 19 feet in length unless a designated area for compact cars is provided.
- (2) Parallel Parking Spaces. The minimum design *vehicle footprint* shall be a rectangle nine (9) feet in width and 22 feet in length unless a designated area for compact cars is provided.

The parking space standards are intended for one (1) *vehicle*, exclusive of adequate egress and ingress, drives, maneuvering space and landscaping. Figure 6A illustrates parking space designs.

Figure 6A. Parking Space Design for Angled and Parallel Parking



§42-196. Off-Street Loading Required

Every lot on which a commercial, office, civic, or warehouse, or industrial use is hereafter established shall provide and permanently maintain space at the rate indicated (see Table 6.2) for the loading, unloading and maneuvering of delivery vehicles off of roads or public alleyways. Such space shall have access to a public alley, private driveway, or, if such cannot be reasonably provided, a public road.

Table 6.2. Off-Street Loading Spaces Requirements	
<i>Gross Floor Area (sq. ft.)</i>	Number of Spaces
0 – 10,000	0
10,001 – 40,000	1
40,001 – 100,000	2
100,001 – 160,000	3
160,001 – 240,000	4
240,001 – 320,000	5
320,001 – 400,000	6
Each 90,000 above 400,000	1

§42-197. Design of Off-Street Loading

An off-street loading space (exclusive of adequate access drives and maneuvering space) shall have minimum dimensions of 12 feet by 60 feet and an overhead clearance of 14 feet in height above *alley* or *road* grade.

§42-198. Reserved

§42-199. Reserved

§42-200. Reserved

§42-201. Reserved

§42-202. Reserved

August 5, 2024

August 5, 2024

August 5, 2024

August 5, 2024

ARTICLE VII SIGN REGULATIONS

§42-203. General

The requirements set forth in this Article shall be complied with in addition to any other general or specific requirements of this Chapter. The regulations of this section shall apply to all *signs* and *sign structures* erected, placed and/or maintained within the County, except as otherwise noted. The standards set forth in this Article are established in order to: (1) allow for the legitimate needs for identification of activities and commerce within the County; (2) improve the aesthetic quality of the County; (3) reduce intrusions on adjacent property; (4) protect property values; and (5) minimize undue distraction to motorists. These requirements in no way relieve a *sign* of having to meet all local, state and federal laws pertaining to the erection of that *sign*.

Subpart A. General Sign Standards

§42-204. General

The *sign* standards of this subpart provide requirements and standards applicable to all other subparts and sections within this Article.

§42-205. Prohibited Signs

The following are prohibited *signs*. *Signs*:

- A. Placed in the public *right-of-way* (except as erected for governmental purposes);
- B. Resembling and/or obscuring traffic signals;
- C. Obstructing access to drives, doors, walks, windows, fire escapes or fire escape routes;
- D. Which are animated and/or flashing (as defined by this Chapter);
- E. On the surface of lake/river water (except those navigational and warning signs);
- F. On *vehicles* parked and located for the purposes of displaying such a *sign*, where such *vehicle* is either a part of the *sign* or *sign structure*; and
- G. *Billboards* (an *outdoor advertising sign* 380 square feet in area or greater).

§42-206. Permit Requirements

A sign permit shall be required for all nonexempt *signs* in accordance with the provisions of this Article (See §42-352 (Sign Permits)).

§42-207. Sign Placement

Signs shall be placed a minimum of 15 feet from edge of pavement or from back of curb (as applicable), and shall be located out of the *road right-of-way*. *Signs* are not permitted in a *sight visibility triangle*. *Signs* that are placed in the *road right-of-way* may be removed and disposed of, without notice, by authorized *County* personnel.

§42-208. Sign Area Determination

Sign area shall be the product of the maximum vertical distance (from the highest point to the lowest point on the *sign* face) and the maximum horizontal distance (across the *sign* face) (see Article XIV (Definition) for the definition of “Sign”). *Sign* area shall be calculated by the *Zoning Administrator* in accordance with Figures 7A and 7B.

Figure 7A. Sign Area Determination

Not to Scale

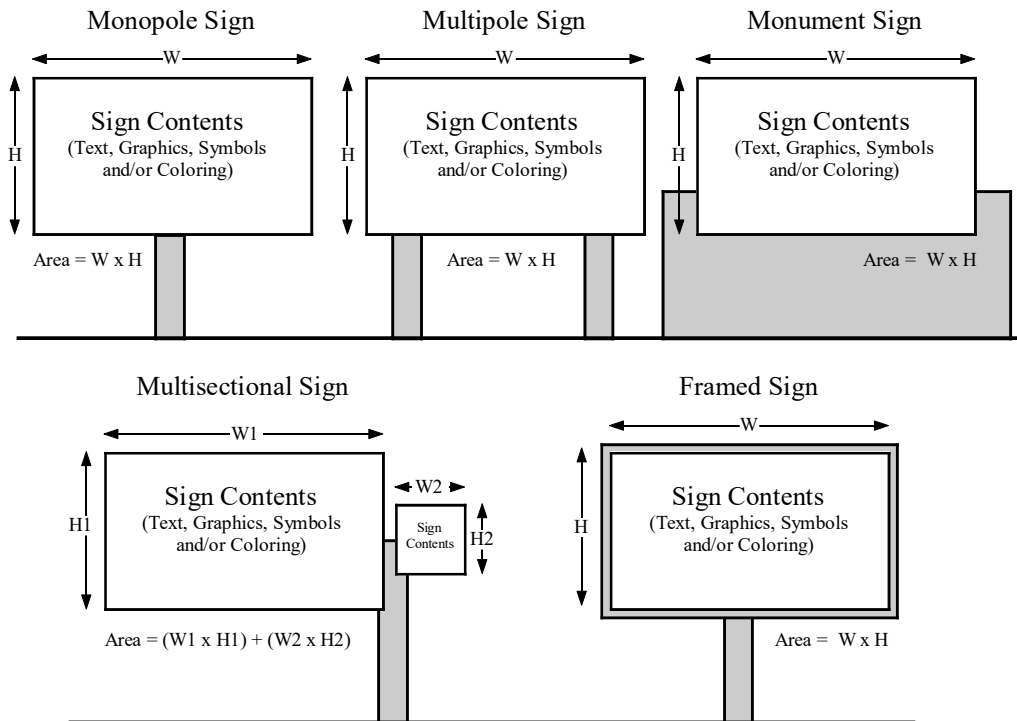
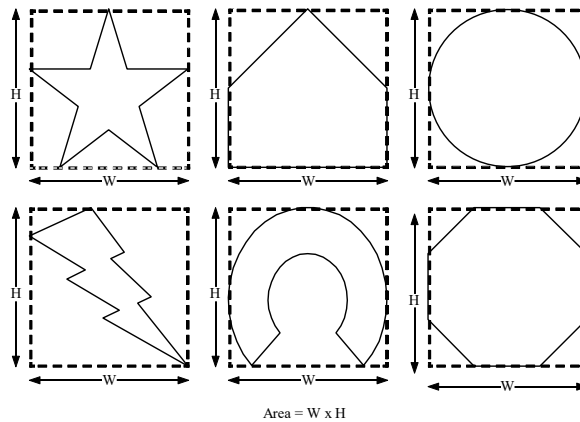


Figure 7B. Sign Area Determination for Nonrectangular Signs

Not to Scale



§42-209. Lighting Standards

Lighting mitigation shall be required as defined by this Chapter for all *signs*.

§42-210. Property Address Signs

A *sign* indicating the address of a property shall be provided as required by and in accordance with Chapter 41 of the Henderson County Code, *Property Addressing*.

§42-211. Reserved

§42-212. Reserved

§42-213. Reserved

§42-214. Reserved

§42-215. Reserved

Subpart B. Exempt Sign Standards

§42-216. General

The *sign* standards of this subpart identify exempt *signs* and provide requirements and standards for exemption.

§42-217. Exempt Sign Standards

The following *signs* are permitted in all districts (unless otherwise indicated), and shall not require a *sign* permit as long as in conformance with the applicable standards. All exempt *signs* may have one (1) or two (2) faces. Lighting of signs shall be installed in such a manner that the source of light (the bulb) is shielded and not visible from the adjacent roadway.

- A. Flags/Insignia.
 - (1) Maximum Area. Two hundred (200) square feet per face.
- B. Off Premise Sign.
 - (1) Maximum Area. Ten (10) square feet per face.
 - (2) Maximum Height. Five (5) feet.
 - (3) Permitted Districts. Permitted in all zoning districts.
- C. On Premise Sign in Residential and Local Commercial Zoning Districts.
 - (1) Maximum Area. Sixteen (16) square feet per face.
 - (2) Maximum Height. Eight (8) feet.
- D. On Premise Sign in Commercial, Office Institutional and Industrial Zoning Districts (excluding the local commercial zoning district).
 - (1) Maximum Area. Thirty-six (36) square feet per face.
 - (2) Maximum Height. Eight (8) feet.
- E. Temporary Sign.
 - (1) Maximum Area. Thirty-two (32) square feet per face (*residential and local commercial zoning district*); seventy-two (72) square feet per face (nonresidential zoning district excluding the local commercial zoning district). Banners up to two hundred (200) square feet per face.

- (2) Maximum Height. Ten (10) feet (*residential and local commercial zoning district*); eighteen (18) feet (*nonresidential zoning district excluding the local commercial zoning district*).
- (3) Removal. Such *signs* shall be temporary in nature, no longer than 30 days per occurrence and only once per calendar year per *lot of record*.

Subpart C. On-Premise Sign Standards

§42-218. General

The *sign* standards of this subpart provide requirements for *signs* based on the general *use district* in which they are located. This subpart provides general standards for all *signs* within a general *use district* as well as *sign* specific standards for certain types of *signs* associated with certain *uses* or types of development. The following standards shall be in effect to provide appropriate signage for *uses*, and compliance therewith is required for the erection of a new *sign*.

§42-219. Residential and Local Commercial Zoning Districts

The following *sign* regulations shall apply in *residential and local commercial zoning districts*.

- A. Freestanding Signs. Freestanding *signs* are permitted where intended to identify entrances to a community, *single-tenant development*, or *multi-tenant development* and shall adhere to the following standards.

- (1) Sign Type. *Monument* or *ground signs* only are permitted.
- (2) Maximum Number by Sign Type.
 - a. Community Identification Entrance Sign. One (1) *double-faced* or two (2) single-faced freestanding *signs* is/are permitted per community entrance (but shall be placed at to no more than two (2) entrances).
 - b. Single-Tenant Development Sign. One (1) freestanding *sign* is permitted per *lot*. One (1) additional freestanding *sign* is allowed for corner or *double-fronted lots*.

- (3) Maximum Area. Thirty-two (32) square feet per face.
- (4) Maximum Faces. Two (2) faces per *sign*.
- (5) Maximum Height. Ten (10) feet.
- (6) Illumination. Lighting of *signs* shall be installed in such a manner that the source of light (the bulb) is shielded and not visible from adjacent roadways.

- B. Attached Signs. *Attached signs* shall adhere to the following standards.

- (1) Sign Type. Window, wall, suspended, *awning* and *changeable copy* (as part of a permanent *sign*) *signs* only are permitted.
- (2) Sign Clearance. Any *attached sign* projecting 12 inches from a wall shall have a minimum nine (9) foot clearance over sidewalks and 14 foot clearance over *roads*, drives and *alleys* (no projection is allowed in any *right-of-way*).
- (3) Maximum Area. Ten (10) percent of any wall area fronting a *road* and/or *building facade*, up to a maximum of 250 square feet.

- (4) Illumination. Lighting of *signs* shall be installed in such a manner that the source of light (the bulb) is shielded and not visible from adjacent roadways.
- C. Prohibited Signs. *Portable, animated and flashing signs* are prohibited.
- D. Electronic Message Signs. *Electronic message signs* are allowed with a *Special Use Permit* in the residential and local commercial zoning districts.

§42-220. Office, Institutional, and Commercial Zoning Districts

The following *sign* regulations shall apply in office institutional, commercial and industrial districts (excluding the local commercial zoning district):

- A. Freestanding Signs.
 - (1) Sign Type. *Monument* or *ground signs* only are permitted when the *sign height* is 18 feet or less. *Pole, monument* and *ground signs* are permitted when the *sign height* is greater than 18 feet.
 - (2) Maximum Number by Sign Type.
 - a. Single-Tenant Development Sign. One (1) freestanding *sign* is permitted per lot. One (1) additional freestanding *sign* is allowed for corner or *double-fronted lots*.
 - b. Multi-Tenant Development Sign. One (1) *double-faced* or two (2) single-faced *signs* is/are permitted per development entrance (but shall be placed at to no more than two (2) entrances).
 - c. Office Institutional and Commercial Subdivision Entrance Sign. One (1) *double-faced* or two (2) single-faced *signs* is/are permitted per *subdivision* entrance (but shall be placed at to no more than two (2) entrances).
 - (3) Maximum Area. Seventy-two (72) square feet per face. Where a *sign* is located within 500 feet of the *right-of-way* line of Interstate 26 the maximum area shall be 200 square feet per face.
 - (4) Maximum Faces. Two (2) faces per *sign*.
 - (5) Maximum Height. Eighteen (18) feet. Where a *sign* is located within 500 feet of the *right-of-way* line of Interstate 26 the maximum height shall be 75 feet (as measured from the *road* grade of the interstate).
 - (6) Illumination. Lighting of *signs* shall be installed in such a manner that the source of light (the bulb) is shielded and not visible from adjacent roadways.
- B. Attached Signs.
 - (1) Sign Type. All attached signs are permitted.
 - (2) Sign Clearance. Any *attached sign* projecting 12 inches from a wall shall have a minimum nine (9) foot clearance over sidewalks and 14 foot clearance over *roads*, drives and *alleys* (no projection is allowed in any *right-of-way*).
 - (3) Maximum Area. Ten (10) percent of any wall area fronting a *road* and/or *building facade*, up to a maximum of 250 square feet.

- (4) Illumination. Lighting of *signs* shall be installed in such a manner that the source of light (the bulb) is shielded and not visible from adjacent roadways.
- C. Prohibited Signs. *Portable, animated and flashing signs* are prohibited.
- D. Electronic Message Signs. *Electronic message signs* are allowed.

§42-221. Industrial Zoning District

The following *sign* regulations shall apply in Industrial Districts.

- A. Freestanding Signs.
 - (1) Sign Type. All freestanding *signs* are permitted.
 - (2) Maximum Number by Sign Type.
 - a. Single-Tenant Development Sign. One (1) freestanding *sign* is permitted per lot. One (1) additional freestanding *sign* is allowed for corner or *double-fronted lots*.
 - b. Multi-Tenant Development Sign. One (1) *double-faced* or two (2) single-faced *signs* is/are permitted per development entrance (but shall be placed at to no more than two (2) entrances).
 - c. Industrial Subdivision Sign. One (1) *double-faced* or two (2) single-faced *signs* is/are permitted per *subdivision* entrance (but shall be placed at to no more than two (2) entrances).
 - (3) Maximum Area. Seventy-two (72) square feet per face.
 - (4) Maximum Faces. Two (2) faces per *sign*.
 - (5) Maximum Height. Eighteen (18) feet. Where a *sign* is located within 500 feet of the *right-of-way* of Interstate 26 the maximum height shall be 75 feet (as measured from the *road* grade of the interstate).
 - (6) Illumination. Lighting of *signs* shall be installed in such a manner that the source of light (the bulb) is shielded and not visible from adjacent roadways.
- B. Attached Signs.
 - (1) Sign Type. All *attached signs* are permitted.
 - (2) Sign Clearance. Any *attached sign* projecting 12 inches from a wall shall have a minimum nine (9) foot clearance over sidewalks and 14 foot clearance over *roads, drives and alleys* (no projection is allowed in any *right-of-way*).
 - (3) Maximum Area. Ten (10) percent of any wall area fronting a *road* and/or *building facade*, up to a maximum of 250 square feet.
 - (4) Illumination. Lighting of *signs* shall be installed in such a manner that the source of light (the bulb) is shielded and not visible from adjacent roadways.
- C. Prohibited Signs. *Portable, animated and flashing signs* are prohibited.
- D. Electronic Message Signs. *Electronic message signs* are allowed.

Subpart D. Off-Premise Sign Standards

§42-222. General

The *sign* standards of this subpart identify districts in which *outdoor advertising signs* are permitted and provide requirements and standards therefore. The following standards shall be in effect to provide appropriate outdoor advertising signage (except for those *signs* which are exempt or prohibited by this Article), and compliance therewith is required for the erection of a new *outdoor advertising sign*.

§42-223. Commercial and Industrial Districts, Urban Service Area

Outdoor advertising signs are permitted only in commercial and industrial districts where they are located in the Utility Service Area (USA) as identified by the *Comprehensive Plan*. *Outdoor advertising signs* shall be classified based on size and include: *Outdoor Advertising Signs* Type A, B and C (see Table 7.1).

Table 7.1. Outdoor Advertising Sign Requirements				
<i>Outdoor Advertising Sign</i>	Square Feet Permitted	Maximum Height (ft.)²	Minimum Setback (ft.)³	Spacing (linear ft.)
Type A	0 to 72	25	10	1,000
Type B	>72-300	35	20	1,000
Type C	>300-380 ¹	35	20	1,000

1 Signs greater than 380 square feet are considered *billboards* and are not permitted in the County.
 2 Maximum height shall be measured from the existing *road* grade to the uppermost point on the *sign structure*.
 3 Minimum *setback* shall be measured horizontally from the adjacent edge of *right-of-way* to the nearest edge of the *sign structure*, provided that no part of the *sign* or *sign structure* shall encroach upon a public *right-of-way*. Where property abuts more than one (1) *road*, *signs* shall be set back an equivalent distance from each *road* no less than the minimum *setback* required.

Outdoor advertising signs shall be spaced so that such *outdoor advertising sign* (or its *structure*) is placed no closer to the next *outdoor advertising sign* (or its *structure*) or any existing adjacent residence than the minimum spacing distance required (see Table 7.1). Spacing shall apply to *outdoor advertising signs* located on either side of a *road*. The minimum distance between *signs* or between a *sign* and a residence shall be measured horizontally between the nearest points on either *structure*. If, because of terrain, vegetation or practical difficulties, a point-to-point accurate measurement cannot be obtained, the *Zoning Administrator* may extend any point of measurement to a logical corresponding location and measure from this point. Using the extended measuring method a variation of five (5) percent is acceptable for the purpose of this Article.

The minimum distance between a *sign structure* and a residence shall not be less than 1,000 feet, except:

- A. Where the adjacent residence is a *nonconforming use*;
- B. Where the *sign* was erected after the original effective date of this Article (May 21, 1986, as amended) and predates a residence, the *sign* shall not be nonconforming because of distance from the residence;
- C. Where the *sign* was erected prior to the effective date of this Article (May 21, 1986 as amended) and duly registered, the *sign* shall not be nonconforming because of distance from another *sign* or a residence; or

D. Where the topography obscures the *sign* from sight by the residents of the dwelling.

The spacing requirement may be reduced by up to 25 percent where the topography obscures the sign from sight by the residents of the dwelling.

§42-224. Reserved

§42-225. Reserved

§42-226. Reserved

Subpart E. Sign Maintenance

§42-227. Sign Maintenance

Maintenance requirements must be observed for all *signs* visible from any *public road* or highway within the jurisdiction of this Chapter. A *sign* in a state of disrepair shall be considered in *violation* of this Chapter. A *sign* shall be in a state of disrepair and require maintenance where the *sign* and its *structure* are:

- A. More than 20 percent covered with disfigured, cracked, ripped or peeling paint or poster paper (or any combination of these conditions);
- B. More than 15 degrees from the perpendicular as a result of bent/broken *sign* facing or supports, and/or loose appendages/struts;
- C. Obscured from the *road*/highway from which it is to be viewed by weeds, vines or other vegetation growing on it; and/or.
- D. To be illuminated, but are only partially illuminated.

§42-228. Reserved

§42-229. Reserved

August 5, 2024

August 5, 2024

ARTICLE VIII
NATURAL RESOURCES

§42-230. General

This Article reflects and incorporates the Flood Damage Prevention, Water Supply Watershed Protection, Perennial and Intermittent Surface Water Buffers, Protected Mountain Ridges, and Soil Erosion and Sedimentation Control Ordinances previously adopted by the County. The purpose of this Article is to consolidate these existing ordinances into one article of the Land Development Code. This Article also includes *stormwater* management regulations for the purposes of improving the County's water quality and quantity.

Subpart A. Flood Damage Prevention

§42-231. Statutory Authorization, Findings of Fact, Purpose and Objectives

The following sections are incorporated herein by reference and considered to be a part of the regulations of this Article VIII, Subpart A: §42-306 (Henderson County Flood Damage Prevention Board), §42-310 (Henderson County Floodplain Administrator), §42-349 (Floodplain Development Permits), §42-354 (Special Fill Permits), §42-368 (Variances (Flood Damage Prevention), §42-378 (Violations of Article VIII (Natural Resources) Subpart A (Flood Damage Prevention), §42-379 (Appeals), and §42-391 (Definitions).

§42-231.1 Statutory Authorization.

The Legislature of the State of North Carolina has in Part 6 of Article 21 of Chapter 143 and Article 6 of Chapter 153A; and Article 7, 9, and 11 of Chapter 160D of the North Carolina General Statutes (*NCGS*), delegated *local governmental* units the authority to adopt regulations designed to promote the public health, safety, and general welfare.

§42-231.2 Findings.

- A. The flood prone areas with the jurisdiction of Henderson County are subject to periodic inundation which results in loss of life, property, health and safety hazards, disruption of commerce and governmental services, extraordinary public expenditures of flood protection and relief, and impairment of the tax base, all of which adversely affect the public health, safety, and general welfare.
- B. These flood losses are caused by the cumulative effect of *obstructions* in *floodplains* causing increases in flood heights and velocities and by the occupancy in *flood prone areas* of *uses* vulnerable to floods or other hazards.

§42-231.3 Objectives.

The objectives of this Subpart A are to:

- A. Protect human life, safety and health;
- B. Minimize expenditure of public money for costly flood control projects;
- C. Minimize the need for rescue and relief efforts associated with flooding and generally undertaken at the expense of the general public;
- D. Minimize prolonged business losses and interruptions;

- E. Minimize interruptions and disruptions of family life caused by flooding;
- F. Minimize damage to public facilities and utilities (i.e. water and gas mains; electric, telephone and sewer lines; and streets and bridges that are located in *flood prone areas*);
- G. Help maintain a stable tax base by providing for the sound use and development of *flood prone areas*;
- H. Permit and encourage the retention of open land *uses* which will be so located and designed as to constitute a harmonious and appropriate part of the physical development of the community and which will not impede the flow of flood waters;
- I. Prevent victimization by ensuring that potential land, home and business buyers are notified that property is located in an identified flood hazard area; and
- J. Prevent increased flood levels caused by unwise *floodplain* development.
- K. Minimize damage to private and public property due to flooding;
- L. Ensure that potential buyers are aware that property is in a *Special Flood Hazard Area*;
- M. Maintain the natural and beneficial functions of the floodplains; and
- N. Make flood insurance available to the community through the National Flood Insurance Program.

§42-231.4 Purpose.

It is the purpose of this Subpart A to promote public health, safety, and general welfare and to minimize public and private losses due to flood conditions within flood prone areas by provisions designed to:

- A. Restrict or prohibit uses that are dangerous to health, safety, and property due to water or erosion hazards or that result in damaging increases in erosion, flood heights or velocities;
- B. Require that uses vulnerable to floods, including facilities that serve such uses, be protected against flood damage at the time of initial construction;
- C. Control the alteration of natural floodplains, stream channels, and natural protective barriers, which are involved in the accommodation of floodwaters;
- D. Control filling, grading, dredging, and all other development that may increase erosion or flood damage; and
- E. Prevent or regulate the construction of flood barriers that will unnaturally divert flood waters or which may increase flood hazards to other lands.

§42-232. General Provisions

42-232.1 Lands to Which this Article VIII, Subpart A Applies.

The provisions of this Subpart A shall apply to all *Special Flood Hazard Areas* within (1) the unincorporated areas of Henderson County lying outside the extraterritorial jurisdiction of any municipality, and (2) the incorporated areas and extraterritorial jurisdiction of any municipality specifically requesting its enforcement by Henderson County upon the agreement of the Henderson County Board of Commissioners, in accordance with the *Flood Insurance Study*

(FIS) and its accompanying *Flood Insurance Rate Map(s)* (*FIRM*), for Henderson County dated October 2, 2008. (In making such a request, the municipality must comply with the requirements of *NCGS* §160D-923). Unless otherwise provided herein, in no instance shall this subpart apply to any area which is not duly established and identified as a *Special Flood Hazard Area*, either by the methods listed in §42-232.2 (Basis for Establishing the Special Flood Hazard Areas), or as shown on the *Flood Insurance Study* (FIS) and its accompanying *Flood Insurance Rate Map(s)* (*FIRM*), for Henderson County. The Chapter and map shall be on file in the office of Henderson County *Floodplain Administrator*.

42-232.2 Basis for Establishing the Special Flood Hazard Areas.

The *Special Flood Hazard Areas* are those identified under the Cooperating Technical State (CTS) agreement between the State of North Carolina and the Federal Emergency Management Agency (*FEMA*) in its *Flood Insurance Study* (FIS) and its accompanying *Flood Insurance Rate Map(s)* (*FIRM*), for Henderson County dated October 2, 2008, which are adopted by reference and declared to be part of this Chapter, and all revisions thereto.

NOTE: If detailed topographic mapping or surveying shows that a building site adjacent to a *Special Flood Hazard Area* is below the *Base Flood Elevation*, it must be regulated as being within the *Special Flood Hazard Area*, even if not shown within the boundaries of the *Special Flood Hazard Area* shown in the *FIRM* or any accompanying maps. For regulatory purposes, flood elevations are the ruling guideline.

42-232.3 Establishment of Floodplain Development Permit.

A *Floodplain Development Permit* shall be required in conformance with the provisions of this Subpart A and §42-349 (Floodplain Development Permits) prior to the commencement of any development activities within *Special Flood Hazard Areas* as determined in §42-232.2 (Basis for Establishing the Special Flood Hazard Areas).

42-232.4 Compliance.

No *structure* or land shall hereafter be located, extended, converted, altered, or developed in any way without full compliance with the terms of this subpart and other applicable regulations.

42-232.5 Abrogation and Greater Restrictions.

- A. Subpart A is not intended to repeal, abrogate, or impair any existing *easements*, covenants, or deed restrictions. However, where this Subpart A and another regulation conflict or overlap, whichever imposes the more stringent restrictions shall prevail.
- B. The following may impose additional regulations for land *uses* and *structures* located in any portion of a *floodplain* and are hereby adopted and incorporated into this Subpart A by reference as though they were copied herein fully. However, where this Subpart A and another regulation conflict or overlap, whichever imposes the more stringent restrictions shall prevail.
 - (1) The International Building Codes, as adopted by the North Carolina Building Code Council and enforced by State and local code enforcement officials, and including all volumes.
 - (2) The Southern Building Code Congress International “SBCCI Standard for Floodplain Management” SSTD 4-89,

(3) The US Army Corps of Engineers “Flood Proofing Regulations” – EP 11651-2-314, December 15, 1995.

(4) Federal Emergency Management Agency “Managing Floodplain Development in Approximate Zone A Areas,” April, 1995.

42-232.6 Other Approval Required.

- A. The granting of a permit under the provisions of this Subpart A and §42-349 (Floodplain Development Permits) or §42-354 (Special Fill Permits) shall in no way affect any other type of approval required by any other statute or ordinance of the State or any political subdivision of the State, or of the United States, but shall be construed as an added requirement.
- B. No permit for the construction of any *structure* to be located within a *floodplain* shall be granted unless the *applicant* has first obtained the permit required by this Subpart A.

42-232.7 Interpretation.

In the interpretation and application of this Subpart A, all provisions shall be:

- A. Considered as minimum requirements;
- B. Liberally construed in favor of the governing body; and
- C. Deemed neither to limit nor repeal any other powers granted under State statutes.

42-232.8 Warning and Disclaimer of Liability.

The degree of flood protection required by this Subpart A is considered reasonable for regulatory purposes and is based on scientific and engineering consideration. Larger floods can and will occur. Actual flood heights may be increased by man-made or natural causes. Subpart A does not imply that land outside the *Special Flood Hazard Areas* or *uses* permitted within such areas will be free from flooding or flood damages. Subpart A shall not create liability on the part of Henderson County or by any officer or employee thereof for any flood damages that result from reliance on this Subpart A or any administrative decision lawfully made hereunder.

§42-233. Administration

The provisions of Subpart A, related to administration can be found in the following sections:

- A. Designation, Duties and Responsibilities of Floodplain Administrator. (See §42-310 (Henderson County Floodplain Administrator)).
- B. Floodplain Development Permit Application Requirements and Fees. (See §42-349 (Floodplain Development Permits)).
- C. Special Fill Permit Procedures and Fees. (See §42-354 (Special Fill Permits)).
- D. Variance Procedures. (See §42-368 (Variances (Flood Damage Prevention))).
- E. Appeal Procedures. (See §42-379 (Appeals)).
- F. Corrective Procedures and Penalties for Violation. (See §42-378 (Violations of Article VIII (Natural Resources) Subpart A (Flood Damage Prevention))).

§42-234. Flood Hazard Reduction

42-234.1 General Standards.

In all *Special Flood Hazard Areas* the following provisions are required.

- A. In the *flood fringe* area as indicated on the *FIRM*, no more than 20 percent of the total of the *flood fringe* area may be filled, except that additional fill may be permitted in the *flood fringe* pursuant to a *special fill permit* (See §42-354 (Special Fill Permits)).
- B. In the floodway area as indicated on the *FIRM*, fill may be permitted in the floodway pursuant to a *special fill permit* (See §42-354 (Special Fill Permits)).
- C. All *new construction* and substantially improvements shall be:
 - (1) Designed (or modified) and adequately anchored to prevent flotation, collapse, or lateral movement of the *structure*.
 - (2) Constructed with materials and utility equipment resistant to flood damage.
 - (3) Constructed by methods and practices that minimize flood damages.
- D. All new utility equipment, substations, lines and other materials used in the provision of services to the public such as telephone, electricity, natural gas, and cable television shall be located outside a *floodplain*, unless no viable alternative exists.
- E. Electrical, heating, ventilation, plumbing, air conditioning equipment, and other service facilities shall be designed and/or located so as to prevent water from entering or accumulating within the components during conditions of flooding to the Regulatory Flood Protection Elevation. These include but are not limited to HVAC equipment, water softener units, bath/kitchen fixtures, ductwork, electrical/gas meter panels/boxes, utility/cable boxes, appliances (i.e. washers, dryers, refrigerator, etc.), hot water heaters, electric outlets/switches.
- F. All new and replacement *water supply systems* shall be located outside the *Special Flood Hazard Area*, unless no other viable alternative exists. Where they must be placed in the *SFHA* the systems shall be designed to minimize or eliminate infiltration of flood waters into the system, and also to meet all other applicable State and local requirements.
- G. All new and replacement sanitary sewage and on-site waste disposal systems shall be located outside the *Special Flood Hazard Area*, unless no other viable alternative exists. Where they must be placed in the *SFHA* the systems shall be designed to minimize or eliminate infiltration of flood waters into the systems and discharges from the systems into flood waters, and also to meet all other applicable State and local requirements.
- H. On-site waste disposal systems constructed near or adjoining *Special Flood Hazard Areas* shall be located and constructed to avoid impairment to them or contamination from them during flooding.
- I. No new private wells shall be located within the *Special Flood Hazard Area* unless no viable alternative exists and that such wells meet all other applicable state and local requirements. Private wells constructed near or adjoining *Special Flood Hazard Areas* shall be located and constructed to minimize or eliminate infiltration of flood water into the system.

- J. Any alteration, repair, reconstruction, or improvements to a *structure* which is in compliance with the provisions of this Subpart A, shall meet the requirements of *new construction* as contained in this Subpart A.
- K. Any fill material on which a *structure* is located shall:
- (1) Be extended to grade ten (10) feet beyond the limits of the *structure* foundation;
 - (2) Be graded to drain;
 - (3) Be protected against *erosion*;
 - (4) Have a side *slope* no steeper than two (2) feet horizontal to one (1) foot vertical;
 - (5) Not contain any contaminated, toxic or hazardous materials; and
 - (6) Be approved before placement.
- M. *Nonconforming structures* or other development may not be enlarged, replaced, or rebuilt unless such enlargement or reconstruction is accomplished in conformance with the provisions of this Subpart A. Provided, however, nothing in this subpart shall prevent the repair, reconstruction, or replacement of a *structure* existing on the original effective date of these regulations (July 5, 2005) and located totally or partially within the *floodway*, *non-encroachment area*, or stream *setback*, provided that the bulk of the *structure* below the *Regulatory Flood Protection Elevation* in the *floodway*, *non-encroachment area*, or stream *setback* is not increased and provided that such repair, reconstruction, or replacement meets all of the other requirements of this Subpart A, and nothing in this Subpart A shall prevent the permitted maintenance, repair, reconstruction or replacement of *agriculture*-related water diversion *structures* where the permit for the same is granted by other than Henderson County. No permit shall be required from Henderson County to reconstruct agricultural development which pre-exists the original effective date of these regulations (July 5, 2005).
- N. The following are permitted *uses* for the *flood fringe*: all *uses* otherwise permitted by the applicable land *use* regulations, so long as such *uses* are in compliance with the terms of this Subpart A.
- O. New *solid waste disposal facilities* and sites, *hazardous waste management facilities*, *solid waste sites*, *salvage yards*, and *chemical storage facilities* shall not be permitted in *Special Flood Hazard Areas*, except by *variance* as specified in Subpart A and §42-368 (Variances (Flood Damage Prevention)). A *structure* or tank for chemical or fuel storage incidental to an allowed *use*, including but not limited to *agriculture*, or to the operation of a water treatment plant or *wastewater* treatment facility may be located in a *Special Flood Hazard Area* only if the *structure* or tank is either elevated or floodproofed to at least the *Regulatory Flood Protection Elevation* and certified according to §42-349 (Floodplain Development Permits) C(2) (Certification Requirements).
- P. All *subdivision* and other development proposals shall:
- (1) Be consistent with the need to minimize flood damage;
 - (2) Have public utilities and facilities such as sewer, gas, electrical, and water systems located and constructed to minimize flood damage;

- (3) Have adequate drainage provided to reduce exposure to flood hazards; and
 - (4) Have received all necessary permits from those governmental agencies for which approval is required by Federal or State law, including Section 404 of the Federal Water Pollution Control Act Amendments of 1972, 33 U.S.C. 1334.
- Q. When a *structure* is partially located in a *Special Flood Hazard Area*, the entire *structure* shall meet the requirements for *new construction* and *substantial improvements*.
- R. When a *structure* is located in multiple flood hazard zones or in a flood hazard risk zone with multiple *Base Flood Elevations (BFEs)*, the provisions for the more restrictive flood hazard risk zone and the highest *Base Flood Elevation (BFE)* shall apply.

42-234.2 Specific Standards.

In all *Special Flood Hazard Areas* where *BFE* data has been provided, as set forth in this Subpart A, the following provisions in addition to those required in §42-234.1 (General Standards) are required:

- A. Residential Construction. *New construction* and *substantial improvement* of any residential *structure* (including *manufactured/mobile homes*) shall have the *reference level*, including *basement*, elevated no lower than the *Regulatory Flood Protection Elevation*.
- B. Nonresidential Construction. *New construction* and *substantial improvement* of any nonresidential *structure* shall have the *reference level*, including *basement*, elevated no lower than the *Regulatory Flood Protection Elevation*. *Structures* located in A, AE and AO Zones may be floodproofed to the *Regulatory Flood Protection Elevation* in lieu of elevation provided that all areas of the *structure*, together with attendant utility and sanitary facilities, below the required flood protection elevation are watertight with walls substantially impermeable to the passage of water, using structural components having the capability of resisting hydrostatic and hydrodynamic loads and the effect of buoyancy. For AO Zones, the floodproofing elevation shall be in accordance with §42-234.7 (Standards for Areas of Shallow Flooding (Zone AO)). A registered professional engineer or architect shall certify that the floodproofing standards of this subsection are satisfied. Such certification shall be provided to the *Floodplain Administrator* as set forth in §42-349 (Floodplain Development Permits) C (2) (Certification Requirements), along with operational plan and the maintenance and inspection plan.
- C. Manufactured/Mobile Homes. No *manufactured/mobile homes* shall be permitted except replacement *manufactured/mobile homes* in an existing *manufactured home park*, existing *manufactured home subdivision*, or replacement *manufactured/mobile homes* on an individual parcel, provided the following conditions are met:
 - (1) *Manufactured/mobile homes* shall be elevated so that the *reference level* of the *manufactured/mobile home* is no lower than the *Regulatory Flood Protection Elevation*.
 - (2) *Manufactured/mobile homes* shall be securely anchored to an adequately anchored foundation to resist flotation, collapse, and lateral movement in accordance with the State of North Carolina Regulations for Manufactured Homes adopted by the Commissioner of Insurance pursuant to NCGS §143-143.15.

Additionally, when the elevation would be met by an elevation of the chassis 36 inches or less above the grade at the site, the chassis shall be supported by reinforced piers or engineered foundation system. When the elevation of the chassis is above 36 inches in height, an engineering certification is required.

- (3) All enclosures or skirting shall be in accordance with §42-234.2 (Specific Standards) D (Elevated Structures).
 - (4) An evacuation plan must be developed for evacuation of all residents of all substantially improved or substantially damaged *manufactured/mobile home parks* or *subdivisions* located within *flood prone areas*. This plan shall be filed with and approved by the *Floodplain Administrator* and the local Emergency Management coordinator.
- D. Elevated Structures. Enclosed areas, of *new construction* or substantially improved *structures*, which are below the *Regulatory Flood Protection Elevation* shall:
- (1) Not be designed to be used for human habitation, but shall only be used for parking of *vehicles*, *structure* access, or limited storage of maintenance equipment used in connection with the premises. Access to the enclosed area shall be the minimum necessary to allow for parking of *vehicles* (*garage* door) or limited storage of maintenance equipment (standard exterior door) or entry to the living area (stairway or elevator). The interior portion of such enclosed area shall not be partitioned or finished into separate rooms, except to enclose storage areas;
 - (2) Be constructed entirely of flood resistant materials at least to the *Regulatory Flood Protection Elevation*;
 - (3) Include, in Zones A, AO and AE, flood openings to automatically equalize hydrostatic flood forces on walls by allowing for the entry and exit of floodwaters. To meet this requirement, the openings must either be certified by a professional engineer or architect or meet or exceed the following minimum design criteria;
 - a. Provide a minimum of two (2) openings on different sides of each enclosed area subject to flooding;
 - b. The total net area of all openings must be at least one (1) square inch for each square foot of each enclosed area subject to flooding;
 - c. If a *structure* has more than one (1) enclosed area, each area must have flood openings to allow floodwater to automatically enter and exit;
 - d. The bottom of all required openings shall be no higher than one (1) foot above the adjacent grade; and,
 - e. Flood openings may be equipped with screens, louvers, or other opening coverings or devices provided they permit the automatic flow of floodwaters in both directions.

Foundation enclosures made of flexible skirting are not considered enclosures for regulatory purposes, and, therefore, do not require openings. Masonry or wood

skirting, regardless of structural status, is considered an enclosure and requires openings as outlined above.

E. Additions/Improvements.

- (1) *Additions* and/or improvements to *pre-FIRM structures* where the *addition* and/or improvements in combination with any interior modifications to the existing *structure* are:
 - a. Not a *substantial improvement*, the *addition* and/or improvements must be designed to minimize flood damages and must not be any more *nonconforming* than the existing *structure*.
 - b. A *substantial improvement*, both the existing *structure* and the *addition* and/or improvements must comply with the standards for *new construction*.
- (2) *Additions* to *post-FIRM structures* with no modifications to the existing *structure* other than standard door in the common wall shall require only the *addition* to comply with the standards for *new construction*.
- (3) *Additions* and/or improvements to *post-FIRM structures* where the *addition* and/or improvements in combination with any interior modifications to the existing *structure* are:
 - a. Not a *substantial improvement*, the *addition* and/or improvements only must comply with the standards for new construction.
 - b. A *substantial improvement*, both the existing *structure* and the *addition* and/or improvements must comply with the standards for new construction.
- (4) Where a fire wall or independent perimeter load-bearing wall is provided between the *addition* and the existing *structure*, the addition(s) shall be considered a separate *structure* and only the *addition* must comply with the standards for *new construction*.

F. Recreational Vehicles. *Recreational vehicles (RVs)* shall either:

- (1) Be on site for fewer than 180 consecutive days and be fully licensed and ready for highway use (a *recreational vehicle* is ready for highway use if it is on its wheels or jacking system, is attached to the site only by quick disconnect type utilities, and has no permanently attached *additions*); or
- (2) Meet all the requirements for *new construction*. (See also §42-61 (Supplemental Requirements to the Table of Permitted and Special Uses) SR 4.15 (Recreational Vehicle Park).

G. Temporary Nonresidential Structures. Prior to the issuance of a Floodplain Development Permit for a *temporary structure*, *applicants* must submit to the *Floodplain Administrator* a plan for the removal of such *structure(s)* in the event of a hurricane, flash flood or other type of flood warning notification. The following information shall be submitted in writing to the *Floodplain Administrator* for review and written approval:

- (1) A specified time period for which the *temporary use* will be permitted, time specified may not exceed three (3) months, renewable up to one (1) year;
 - (2) The name, address, and phone number of the individual responsible for the removal of the *temporary structure*;
 - (3) The timeframe prior to the event at which a *structure* will be removed (i.e. minimum of 72 hours before landfall of a hurricane or immediately upon flood warning notification);
 - (4) A copy of the contract or other suitable instrument with the entity responsible for physical removal of the *structure* insuring the availability of removal equipment when needed; and
 - (5) Designation, accompanied by documentation, of a location outside the *Special Flood Hazard Area* to which the *temporary structure* will be moved.
- H. Accessory Structures. When *accessory structures* (sheds, detached garages, etc.) are to be placed within a *Special Flood Hazard Area*, the following criteria shall be met:
- (1) *Accessory structures* shall not be used for human habitation (including working, sleeping, living, cooking or restroom areas);
 - (2) *Accessory structures* shall not be temperature controlled;
 - (3) *Accessory structures* shall be designed to have low flood damage potential;
 - (4) *Accessory structures* shall be constructed and placed on the *structure* site so as to offer the minimum resistance to the flow of floodwaters;
 - (5) *Accessory structures* shall be firmly anchored in accordance with §42-234.1 (General Standards) B(1);
 - (6) All service facilities such as electrical and heating equipment shall be installed in accordance with §42-234.1 (General Standards) B(2);
 - (7) Flood openings to facilitate automatic equalization of hydrostatic flood forces shall be provided below *Regulatory Flood Protection Elevation* in conformance with §42-234.2 (Specific Standards) D (Elevated Structures) (3);
 - (8) An *accessory structure* with a *footprint* less than 150 square feet does not require an elevation or *floodproofing* certificate (a Floodplain Development Permit is still required). Elevation or *floodproofing* certifications are required for all other *accessory structures* in accordance with §42-349 (Floodplain Development Permits) C (2) (Certification Requirements).

42-234.3 Subdivisions, Manufactured Home Parks, Manufactured Home Subdivisions, And Other Residential Development.

No new *manufactured home parks* or *manufactured home subdivisions* shall be allowed within a *Special Flood Hazard Area* (except that where real estate located within a *Special Flood Hazard Area* which is a part of such *manufactured home park* or *subdivision* and upon which no development has occurred can be considered as “*open space*” within such *park* or *subdivision*). In addition, *manufactured home parks* and *manufactured home subdivisions* existing on the date of original enactment (July 5, 2005) of this Subpart A may not be expanded. All other

subdivisions or other *residential development* located wholly or in part within a *Special Flood Hazard Area* shall:

- A. Be consistent with the need to minimize flood damage;
- B. Have public utilities and facilities such as sewer, gas, electrical, and water systems located and constructed to minimize flood damage;
- C. Have adequate drainage provided to reduce exposure to flood hazards; and,
- D. Have *Base Flood Elevation (BFE)* data provided if development is greater than the lesser of five (5) acres or 50 *lots / manufactured/mobile home sites*. Such *Base Flood Elevation (BFE)* data shall be adopted by reference in accord with §42-232.2 (Basis for Establishing the Special Flood Hazard Areas) in implementing this Subpart A.

42-234.4 Standards for Floodplains Without Established Base Flood Elevations.

Within the *Special Flood Hazard Areas* designated as Approximate Zone A and established in §42-232.2 (Basis for Establishing the Special Flood Hazard Areas), where no *BFE* data has been provided by *FEMA*, the following provisions, in addition to §42-234.1 (General Standards), shall apply:

- A. No *encroachments*, including fill, new construction, *substantial improvements* or new development shall be permitted within a distance of 20 feet from each side of the stream measured from the top of the bank or five (5) times the width of the stream, whichever is greater, unless certification with supporting technical data by a registered professional engineer is provided demonstrating that such *encroachments* shall not result in any increase in flood levels during the occurrence of the *base flood* discharge.
- B. The *BFE* used in determining the *Regulatory Flood Protection Elevation* shall be determined based on one (1) of the following criteria set in priority order:
 - (1) When *BFE* data is available from other sources, such as Federal, State or other, all *new construction* and *substantial improvements* within such areas shall also comply with all applicable provisions of this subpart and shall be elevated or floodproofed in accordance with standards in this §42-234.1 (General Standards) and §42-234.2 (Specific Standards).
 - (2) When *floodway* or *non-encroachment area* data are available from a Federal, State, or other source, all *new construction* and *substantial improvements* within *floodway* and *non-encroachment areas* shall also comply with the requirements of §42-234.2 (Specific Standards) and §42-234.6 (Floodways and Non-Encroachment Areas).
 - (3) When a *subdivision*, *manufactured home park* or other development proposal is greater than five (5) acres or has more than 50 *lots/manufactured home sites/spaces*, *BFE* data shall be provided. Such *BFE* data shall be adopted by reference in accordance with §42-232.2 (Basis for Establishing the Special Flood Hazard Areas).
 - (4) When *BFE* data is not available from a Federal, State, or other source as outlined above, the *reference level* shall be elevated or floodproofed to or above the *Regulatory Flood Protection Elevation* as defined in Article XIV (Definitions).

42-234.5 Standards for Riverine Floodplains With Base Flood Elevations but Without Established Floodways or Non-encroachment Areas.

Along rivers and streams where *BFE* data is provided by FEMA or is available from another source but neither *floodway* nor *non-encroachment areas* are identified for a *Special Flood Hazard Area* on the *FIRM* or in the FIS reports, the following requirements shall apply to all development within such areas:

- A. Standards outlined in §42-234 (Flood Hazard Reduction); and
- B. Until a regulatory *floodway* or *non-encroachment area* is designated, No *encroachments*, including fill, *new construction*, *substantial improvements*, or other development, shall be permitted unless certification with supporting technical data by a registered professional engineer is provided demonstrating that the cumulative effect of the proposed development, when combined with all other existing and anticipated development, will not increase the *water surface elevation* of the *base flood* more than one (1) foot at any point within the community.

42-234.6 Floodways or Non-encroachment Areas.

Areas designated as *floodways* or *non-encroachment areas* are located within the Special Flood Hazard Areas established in §42-232.2 (Basis for Establishing the Special Flood Hazard Areas). The floodways and non-encroachment areas are extremely hazardous areas due to the velocity of floodwaters that have erosion potential and carry debris and potential projectiles. The following provisions, in addition to the standards outlined in §42-234.1 (General Standards) and §42-234.2 (Specific Standards), shall apply to all development within such areas.

- A. No *encroachments*, including fill, new construction or substantial improvements shall be permitted unless:
 - (1) The structure is a *functionally dependent facility*, excluding *enclosed structures*, new water and sewer lines provided no viable alternative exists, recreational *uses* (excluding *enclosed structures*) and streambank restoration projects, provided the requirements of §42-234.2 (Specific Standards) and §42-234.6 (Floodways or Non-Encroachment Areas) A (2) are met;
 - (2) The parcel *owner* first having obtained and submitted to the *Floodplain Administrator* an acceptable certification by a registered professional engineer proving that the anticipated *encroachment(s)* shall not result in any increase in the elevation of the regulatory flood during an occurrence of the *base flood*. The *Floodplain Administrator* shall require documentation of the certification which shall include either:
 - a. A completed “engineering no-rise” certification form as published by *FEMA*, or acceptable alternative form approved by *FEMA* together with:
 1. Technical documentation in the form of detailed site and construction plans, showing that all requirements of this Subpart A are met;
 2. Technical documentation in the form of hydraulic analysis of the existing and proposed conditions. This documentation shall be either: complete runs of existing and proposed conditions using the

HEC II/HEC-RAS step backwater analysis computer program as prepared by the US Army Corps of Engineers for the analysis of flow plan hydraulics; or

3. An alternative method currently approved by *FEMA* for use in the revision process for *FEMA* flood maps. In this case, the engineer shall provide a letter from *FEMA* indicating that the method used is acceptable; or
 - b. A Conditional Letter of Map Revision (CLOMR) which has been approved by FEMA. A Letter of Map Revision (LOMR) must also be obtained upon completion of the proposed encroachment.
- B. If 234.6 (Floodways of Non-encroachment Areas) A is satisfied, all development shall comply with all applicable flood hazard reduction provisions of this Subpart A.
- C. No *manufactured/mobile homes* shall be permitted, except replacement *manufactured/mobile homes* in an existing *manufactured home park* or *subdivision*, provided the following provisions are met:
- (1) The anchoring and the elevation standards of §42-234.2 (Specific Standards) C (Manufactured/Mobile Homes); and
 - (2) The no encroachment standard of §42-234.6 (Floodways of Non-encroachment Areas).

42-234.7 Standards for Areas of Shallow Flooding (Zone AO).

Located within the *Special Flood Hazard Areas* established in §42-232.2 (Basis for Establishing the Special Flood Hazard Areas) designated as shallow flooding areas. These areas have special flood hazards associated with base flood depths of one (1) to three (3) feet where a clearly defined channel does not exist and where the path of flooding is unpredictable and indeterminate. In addition to §42-234.1 (General Standards) and §42-234.2 (Specific Standards), all *new construction* and *substantial improvements* shall meet the following requirements:

- A. The *reference level* shall be elevated at least as high as the depth number specified on the *FIRM*, in feet, plus a *freeboard* of two (2) feet, above the *highest adjacent grade*; or at least four (4) feet above the *highest adjacent grade* if no depth number is specified.
- B. Nonresidential *structures* may, in lieu of elevation, be floodproofed to the same level as required by §42-234.7 (Standards for Areas of Shallow Flooding (Zone AO)) (1) so that the *structure*, together with attendant utility and sanitary facilities, below that level shall be watertight with walls substantially impermeable to the passage of water and with structural components having the capability of resisting hydrostatic and hydrodynamic loads and effects of buoyancy. Certification is required in accordance with §42-349 (Floodplain Development Permits) C (2) (Certification Requirements) and §42-234.2 (Specific Standards) B (Nonresidential Construction).
- C. Adequate drainage paths shall be provided around *structures* on slopes, to guide flood waters around and away from the *structures*.

§42-235. Legal Status

42-235.1 Effect on Rights and Liabilities Under the Existing Flood Damage Prevention Regulations.

This Subpart A in part comes forward by re-enactment of some of the provisions of the Flood Damage Prevention Ordinance enacted July 5, 2005 as amended, and it is not the intention to repeal but rather to re-enact and continue to enforce without interruption of such existing provisions, so that all rights and liabilities that have accrued thereunder are reserved and may be enforced. The enactment of this ordinance shall not affect any action, suit or proceeding instituted or pending. All provisions of the Flood Damage Prevention Ordinance of Henderson County enacted on July 5, 2005, as amended, which are not reenacted herein are repealed.

The dates of the initial flood damage prevention ordinance for each municipal jurisdiction within Henderson County are as follows:

- Town of Fletcher, dated January 13, 2003
- City of Hendersonville, dated January 7, 1982
- Town of Laurel Park, dated December 20, 2005

42-235.2 Effect on Outstanding Floodplain Development Permits.

Nothing herein contained shall require any change in the plans, construction, size or designated *use* of any development or any part thereof for which a Floodplain Development Permit has been granted by the *Floodplain Administrator* or his or her authorized agents before the time of passage of this Subpart A; provided, however, that when construction is not begun under such outstanding permit within a period of six (6) months subsequent to passage of this subpart or any revision thereto, construction or *use* shall be in conformity with the provisions of this Subpart A.

42-235.3 Effect on Outstanding Building Permits.

Nothing herein contained shall require any change in the plans, construction, size or designated *use* of any development or any part thereof for which a Building Permit has been granted by the Building Codes Administrator or his authorized agents before the time of passage of this Subpart A (July 5, 2005); provided, however, that when construction is not begun under such outstanding permit within a period of six (6) months subsequent to passage of this subpart or any revision thereto, construction or *use* shall be in conformity with the provisions of this Subpart A.

42-235.4 Effective Date:

Subpart A originally became effective 30 July 2005 as amended through 1 October 2008.

§42-236. Reserved

Subpart B. Water Quality

§42-237. General Provisions

42-237.1 Statutory Authorization

This Subpart B is adopted pursuant to North Carolina law, including but not limited to Article 14, Section 5 of the Constitution of North Carolina; *NCGS* 143-214.7 and rules promulgated by the North Carolina Environmental Management Commission (*NCEMC*) thereunder;; *NCGS* 113A, Article 4; *NCGS* 143, Article 21, Part 6; and the authority vested by *NCGS* Chapter 160D-925 and Chapter 143, Article 21 (Watershed and Air Resources).

Further, the Federal Water Pollution Control Act of 1972 (“Clean Water Act”) and federal Water Quality Rules promulgated under it, as well as rules of the *NCEMC* promulgated in response to federal Phase II requirements, compel certain urbanized areas, including this jurisdiction, to adopt minimum *stormwater* controls such as those included in this Subpart B.

42-237.2 Effect on Other Laws and Agreements

This Subpart B shall not be construed to repeal or modify applicable local, state and federal laws, except that to the extent that the provisions of this Subpart B conflict with any applicable local, state or federal laws, the most stringent of all applicable laws shall govern. It is not intended that these regulations interfere with any *easement*, covenants or other agreements between parties. However, if the provisions of these regulations impose greater restrictions or higher standards for the *use* of a *structure* or land, then the provisions of these regulations shall control.

42-237.3 Findings.

- A. *Development* and *redevelopment* alter the hydrologic response of local *watersheds* and as reduce groundwater recharge increase:
 - (1) *Stormwater runoff* rates and volumes,
 - (2) *Flooding*,
 - (3) *Soil erosion*,
 - (4) Stream channel *erosion*,
 - (5) Nonpoint and point source pollution, and
 - (6) *Sediment* transport and deposition.
- B. Changes in *stormwater runoff* contribute to increased quantities of water-borne pollutants and alterations in hydrology that are harmful to public health and safety and the natural environment;
- C. These effects can be managed and minimized by applying proper design and well-planned controls to manage *stormwater runoff* from *development* sites; and
- D. The Federal Water Pollution Control Act of 1972 (“Clean Water Act”) and federal Phase II Stormwater Rules promulgated under it, as well as rules of the North Carolina Environmental Management Commission promulgated in response to federal Phase II requirements, compel certain urbanized areas, including this jurisdiction, to adopt minimum stormwater controls such as those included in this Subpart B.
- E. It is the intention of the Board of Commissioners to enact provisions which are identical to those existing under the laws of the State of North Carolina, and provisions which in no event are more restrictive of the landowners of Henderson County than those of the State of North Carolina.

42-237.4 Purpose.

- A. **General.** The provisions established in this Subpart B are designed to protect, maintain, and enhance public health, safety, environment and general welfare and protect water and aquatic resources by:

- (1) Managing (by enforcing standards which shall limit the impact from existing or potential sources of contamination through the regulation of *lot sizes* and development intensity) the *uses* of land and *structures* encompassed by *watersheds* in order to maintain the high quality of surface water in these *watersheds*;
- (2) Managing (by establishing minimum requirements and procedures to control the adverse effects of increased post-*development stormwater runoff* and nonpoint and point source pollution associated with new *development* and *redevelopment*) construction-related and post-*development stormwater runoff* to minimize damage to public and private property and infrastructure;

B. Specific. This Subpart B seeks to meet its general purpose by:

- (1) Establishing decision-making processes for *development* that protect the integrity of *watersheds* and preserve the health of water resources;
- (2) Requiring new *development* and *redevelopment* maintain the pre-*development* hydrologic response in their post-*development* state as nearly as practicable for the applicable design storm to reduce flooding, streambank *erosion*, nonpoint and point source pollution and increases in stream temperature, and to maintain the integrity of stream channels and aquatic habitats;
- (3) Establishing minimum post-*development stormwater* management standards and design criteria for the regulation and control of *stormwater runoff* quantity and quality;
- (4) Establishing design and review criteria for the construction, function, and use of *structural stormwater BMPs* that may be used to meet the minimum post-*development stormwater* management standards;
- (5) Encouraging the use of better management and site design practices, such as the use of vegetated conveyances for *stormwater* and the preservation of greenspace, *riparian buffers* and other conservation areas to the maximum extent practicable;
- (6) Establishing provisions for the long-term responsibility for and maintenance of *structural stormwater BMPs* and nonstructural *stormwater BMPs* to ensure that they continue to function as designed, are maintained appropriately, and pose no threat to public safety;
- (7) Establishing administrative procedures for the submission, review, approval and disapproval of *stormwater* management plans, for the inspection of approved projects, and to assure appropriate long-term maintenance.

42-237.5 Lands to Which This Subpart B Applies.

This Subpart B shall apply to all land-disturbing activity, *development* and *redevelopment* including, but not limited to, site plan applications, *subdivision* applications, and grading applications) within the unincorporated areas of Henderson County and its municipalities as allowed by agreement between local governments, other appropriate legal instrument or law.

Water supply watershed regulations shall apply within any unincorporated areas and also to incorporated areas specifically requesting enforcement by Henderson County upon the consent

of the Commissioners, and which are designated as a public *water supply watershed* by NCEMC and delineated on the map titled "Henderson County Water Supply Watershed Protection Map," herein referred to as the "*Watershed Map*," as amended. (In making such a request, the city or town must comply with the requirements of *NCGS §160D-926*.) The *Watershed Map* and all explanatory matter contained thereon accompany and are hereby made a part of this Chapter. This Chapter shall be permanently kept, along with subsequent amendments thereto, on file in the office of the Clerk to the Board of Commissioners.

In cases where a municipality extends its extraterritorial jurisdiction into a *watershed* herein defined, the restrictions applicable to development in that *watershed* shall remain in effect until they are amended or repealed or until the County and such municipality, by mutual consent, transfer authority to administer and enforce *watershed* regulations not inconsistent with state rules.

Stormwater management regulations shall apply within any unincorporated and also to any incorporated areas specifically requesting enforcement by Henderson County upon the consent of the Commissioners, provided that areas designated as a public *water supply watershed* by NCEMC and delineated on the *Watershed Map* are specifically excluded. A map shall be maintained by the *Stormwater Administrator* indicating the geographic location of all *structural best management practices* permitted under this Subpart B.

42-237.6 Designation of Water Quality Administrator

The "*Water Quality Administrator*" hereby appointed and authorized to administer and enforce the *water supply watershed* and *stormwater* regulations under the terms and conditions of this Subpart B.

§42-238 Water Supply Watershed Regulations

42-238.1 Establishment of Watershed Protection Overlay District

The Watershed Protection Overlay District (and the subdistricts thereof) is/are outlined in Article II of this Chapter. The Watershed Protection Overlay District, and all regulations outlined therein, is included by reference in this Subpart B.

42-238.2 Water Supply Watershed Map

For purposes of this Subpart B, all *watershed* areas designated by the North Carolina Environmental Management Commission which are within the County's jurisdiction pursuant to Article II of this Chapter are shown on the Official Water Supply Watershed Map which is maintained by the *Water Quality Administrator*.

42-238.3 Interpretation of Boundaries of the Water Supply Watershed Map

Where uncertainty exists as to the boundaries of the *watershed* areas, as shown on the *Watershed Map*, the following rules shall apply. Where:

- A. Area boundaries are indicated as approximately following either *road*, *alley*, railroad or highway lines or center lines thereof, such lines shall be construed to be said boundaries;
- B. Area boundaries are indicated as approximately following *lot* lines, such *lot* lines shall be construed to be said boundaries. However, a surveyed *plat* prepared by a professional land surveyor may be submitted to Henderson County as evidence that one or more properties along these boundaries do not lie within the *watershed* area;

- C. Area boundaries lie at a scaled distance more than 25 feet from any parallel *lot* line, the location of *watershed* area boundaries shall be determined by *use* of the scale appearing on the *Watershed Map*;
- D. Area boundaries lie at a scaled distance of 25 feet or less from any parallel *lot* line, the location of *watershed* area boundaries shall be construed to be the *lot* line; and
- E. Other uncertainty exists, the *Water Quality Administrator* shall interpret the *Watershed Map* as to the location of such boundaries. This decision may be *appealed* to the Water Quality Board.

42-238.4 Establishment of Water Supply Watershed Permits

A Water Supply Watershed Use Permit, Watershed Protection Compliance Permit and Watershed High-Density Development Permit (§42-360) shall be required in conformance with the provisions of this Chapter for development activities within the *water supply watershed*.

42-238.5 Application of Regulations

- A. Minimizing Impact on Water Quality. No *building* or land shall hereafter be used and no development shall take place except in conformity with the regulations herein specified for the *watershed* area in which it is located. All development must minimize built-upon surface area; direct *stormwater* away from surface waters; and incorporate *best management practices* to minimize water quality impacts.
- B. Prevent Impact on Water Quality and Public Health. No activity, situation, *structure* or land *use* shall be allowed within the *watershed* which poses a threat to water quality and the public health, safety and welfare. Such conditions may arise from inadequate on-site sewage systems which utilize ground absorption; inadequate *sedimentation* and *erosion* control measures; the improper storage or disposal of junk, trash or other refuse within a *buffer* area; the improper management of *stormwater runoff*; or any other situation found to pose a threat to water quality.
- C. Nontransferable Area. No area required for the purpose of complying with the provisions of this Subpart B shall be included in the area required for another *building*.

42-238.6 Subdivisions within the Water Supply Watershed

Subdivisions of land within defined *watershed* areas shall require a *plat* to be prepared, approved and recorded pursuant to this Subpart B. No *subdivision plat* within a *water supply watershed* shall be filed or recorded by the Register of Deeds until it has been approved in accordance with the provisions of this Chapter and certified as being in compliance with the terms of this Subpart B by the *Water Quality Administrator*. Likewise, the Clerk of Superior Court shall not order or direct the recording of a *plat* if the recording of such *plat* would be in conflict with this Subpart B. *Subdivisions* within a designated *watershed* area shall adhere to the following additional processes:

- A. Upon receipt of an application for the *subdivision* of property as set forth in Article III, such application shall be reviewed by the *Water Quality Administrator* to determine if such property lies wholly or in part within a *water supply watershed* area.
- B. If a parcel is determined to be in a *watershed*, the *Water Quality Administrator* shall determine if such application complies with the requirements of this Chapter and shall

certify to such on any application forms, on preliminary development drawings and on any *plat* proposed for recordation. The certification shall state:

I certify that property shown on this plat is located in a watershed area classified _____ . The plat shown hereon complies with the Henderson County Water Supply Watershed Protection Requirements and is approved for recordation in the Register of Deeds office.

Water Quality Administrator

Date

This certification shall constitute *water supply watershed* development approval and shall not operate so as to amend, repeal or replace any other approvals or certifications required on such *plat* by other applicable local, state or federal laws.

42-238.7 Exceptions for Existing Development.

Existing development is not subject to the requirements of this Subpart B. Expansions to *structures* classified as *existing development* must meet the requirements of this Subpart B; however, the *built-upon area* of the *existing development* is not required to be included in the density calculations.

§42-239 Stormwater Management Regulations

42-239.1 Stormwater BMP Manual

- A. Stormwater BMP Manual. The *Water Quality Administrator* shall use the policy, criteria, and information, including technical specifications and standards, in the *Stormwater BMP Manual* as the basis for decisions about *Stormwater Management Permits* and about the design, implementation and performance of *structural stormwater BMPs* and non-structural *stormwater BMPs*. The *Stormwater BMP Manual* includes a list of acceptable *stormwater* treatment practices, including specific design criteria for each *stormwater* practice. *Stormwater* treatment practices that are designed, constructed, and maintained in accordance with these design and sizing criteria will be presumed to meet the minimum water quality performance standards of the Phase II laws.
- B. Relationship of Stormwater BMP Manual to Other Laws and Regulations. If the specifications or guidelines of the *Stormwater BMP Manual* are more restrictive or apply a higher standard than other laws or regulations, that fact shall not prevent application of the specifications or guidelines in the *Stormwater BMP Manual*.
- C. Changes to Standards and Specifications. If the standards, specifications, guidelines, policies, criteria, or other information in the *Stormwater BMP Manual* are amended subsequent to the submittal of an application for approval pursuant to this Subpart B but prior to approval, the new information shall control and shall be utilized in reviewing the application and in implementing this Subpart B with regard to the application.

42-239.2 Establishment of Stormwater Management Permit

- A. A Stormwater Management Permit (see §42-356 (Stormwater Management Permit)) shall not be required for *development* and *redevelopment* that: (1) cumulatively disturbs less than one (1) acre and is not part of a *larger common plan of development or sale* is exempt from the provisions of this Subpart B; (2) occurs within a designated *water*

supply watershed; or (3) occurs within a larger development for which a stormwater management permit has been issued, provided the property owner complies with the requirements of the overall project's stormwater management permit. A Stormwater Management Permit (see §42-356 (Stormwater Management Permit)) shall be required in conformance with the provisions of this Chapter for:

- (1) *Development and redevelopment* that cumulatively disturbs more than one (1) acre and is not part of a *larger common plan of development or sale*;
 - (2) *Development and redevelopment* that disturb less than one (1) acre where such activities are part of a *larger common plan of development or sale*, even though multiple, separate or distinct activities take place at different times on different schedules; or
 - (3) Any activity not exempt from permit requirements of Section 404 of the federal Clean Water Act as specified in 40 CFR 232 (primarily, ongoing *agriculture* and *forestry* activities).
- B. Where a Stormwater Management Permit is required for a *high-density project* as noted in §42-239.5 (Standards for High-Density Projects), *stormwater* control measures shall be implemented that comply with each of the following standards:
- (1) The measures shall control and treat *stormwater runoff* from the first inch of rain over a 24-hour period. Runoff volume drawdown time shall be a minimum of 48 hours, but not more than 120 hours.
 - (2) All structural *stormwater* treatment systems used to meet these requirements shall be designed to have a minimum of 85% average annual removal for Total Suspended Solids (TSS).
 - (3) General engineering design criteria for all projects shall be in accordance with 15A NCAC 2H .1008(c), as explained in the *Stormwater BMP Manual*.

No *development* or *redevelopment* shall occur except in compliance with the provisions of this Subpart B or unless exempted. No *development* for which a permit is required pursuant to this Subpart B shall occur except in compliance with the provisions, conditions, and limitations of the permit.

The approval of the *Stormwater Management Permit* shall require an enforceable restriction on property usage that runs with the land, such as a recorded deed restriction or protective covenants, to ensure that future *development* and *redevelopment* maintains the site consistent with the approved project plans.

42-239.3 Determining Project Density Type

A low-density project:

- A. Has no more than two (2) *dwelling units per acre* or 24 percent *built-upon area* for all *residential* and *non-residential development*; and
- B. The overall *density* of a project is at or below the relevant low-density threshold (and which may contain areas with a *density* greater than the overall project *density*, provided the project meets or exceeds the post construction model practices for *low-density*

projects and, to the maximum extent practicable, locates the higher-density portion in upland areas and away from surface waters and drainageways).

A *high-density project* is anything that exceeds the thresholds outlined herein above.

42-239.4 Standards for Low-Density Projects

Stormwater runoff from the *development* shall be transported from the *development* by vegetated conveyances to the maximum extent practicable.

42-239.5 Standards for High-Density Projects

High-density projects shall implement *stormwater* control measures that comply with each of the standards outlined in §42-239.2 (Establishment of Stormwater Management Permit) B.

42-239.6 Standards for Stormwater Control Measures

- A. Evaluation According to Contents of Stormwater BMP Manual. All *stormwater* control measures and *structural stormwater BMPs* required under this Subpart B shall be evaluated by the *Water Quality Administrator* according to the policies, criteria, and information, including technical specifications and standards and the specific design criteria for each *stormwater* practice, in the *Stormwater BMP Manual*. The *Water Quality Administrator* shall determine whether proposed *stormwater BMPs* will be adequate to meet Subpart B requirements.
- B. Determination of Adequacy; Presumptions and Alternatives. *Stormwater* treatment practices that are designed, constructed, and maintained in accordance with the criteria and specifications in the *Stormwater BMP Manual* will be presumed to meet the minimum water quality and quantity performance standards of Subpart B. Whenever an *applicant* proposes to utilize a practice or practices not designed and constructed in accordance with the criteria and specifications in the *Stormwater BMP Manual*, the *applicant* shall have the burden of demonstrating that the practice(s) will satisfy the minimum water quality and quantity performance standards of Subpart B. The *Water Quality Administrator* may require the *applicant* to provide the documentation, calculations, and examples necessary so he/she may determine whether such an affirmative showing is made.
- C. Separation from Seasonal High Water Table. For *stormwater BMPs* that require a separation from the seasonal high water table, the separation shall be provided by at least 12 inches of naturally occurring soil above the seasonal high water table.

42-239.7 Standards for Trout Waters

In addition to the standards for handling *stormwater* set out in the *Stormwater BMP Manual*, *development* and *redevelopment* that drains in whole or part to class TR waters shall design and implement the best *stormwater* practices that do not result in a sustained increase in receiving water temperature, while still meeting the other requirements of Subpart B.

42-239.8 Transitional Provisions

- A. Final Approvals, Complete Applications. All *development* and *redevelopment* projects for which complete and full applications were submitted and approved by the *County* prior to the effective date of Subpart B and which remain valid, unexpired, unrevoked and not otherwise terminated at the time of *development* or *redevelopment* shall be exempt from

complying with all provisions of this subpart dealing with the control and/or management of post-construction runoff, but shall be required to comply with all other applicable provisions.

A phased *development* plan shall be deemed approved prior to the effective date of Subpart B if it has been approved by all necessary government units, it remains valid, unexpired, unrevoked and not otherwise terminated, and it shows for:

- (1) The initial or first phase of *development*, the type and intensity of use for a specific parcel or parcels, including at a minimum, the boundaries of the project and a *subdivision* plan that has been approved.
 - (2) Any subsequent phase of *development*, sufficient detail so that implementation of the requirements of Subpart B to that phase of *development* would require a material change in that phase of the plan.
- B. Violations Continue. Any violation of provisions existing on the effective date of Subpart B shall continue to be a violation under this Subpart B and be subject to penalties and enforcement under this subpart unless the *use, development, construction, or other activity* complies with the provisions of this Subpart B.

42-239.9 Onsite Wastewater

- a. Operation and Maintenance Requirements. New and replaced onsite systems for domestic *wastewater* installed after the effective date of Subpart B shall be subject to the same requirements for operation and maintenance as *structural stormwater BMPs for stormwater*, including, at a minimum, annual inspection reports and a recorded operation and maintenance agreement, pursuant to §42-240 (Maintenance).
- b. Standards for Operation and Maintenance. Onsite systems for domestic *wastewater* covered by Subpart B shall be operated and maintained so as to avoid adverse effects on surface water and groundwater, including eutrophication of surface water and microbial or nitrate contamination of groundwater. Septic tank residuals shall be pumped whenever necessary to assure the proper operation of the system to meet these standards, and the septage shall be reused or disposed of in a manner that does not present significant risks to human health, surface water or groundwater.

42-239.10 Statutory Exceptions (See §42-366 Variances)

Exceptions shall be granted from the 30 foot landward location of *built-upon area* requirement and deed restrictions/protective covenants requirements in any of the following instances:

- A. When there is a lack of practical alternatives for a:
 - (1) *Road* crossing,
 - (2) *Railroad* crossing,
 - (3) Bridge,
 - (4) Airport facility,
 - (5) Utility crossing
 - (6) *Stormwater* management facility,
 - (7) *Stormwater* management pond, or
 - (8) Utility (including, but not limited to, water, sewer, or gas construction and maintenance corridor)

And such are located, designed, constructed, and maintained to:

- (1) Minimize disturbance,
 - (2) Provide maximum nutrient removal,
 - (3) Protect against *erosion* and *sedimentation*,
 - (4) Have the least adverse effects on aquatic life and habitat,
 - (5) Protect water quality to the maximum extent practicable through the use of *BMPs*, and
 - (6) Remain 15 feet landward of all perennial and intermittent surface waters (this provision applies only to *stormwater* management facilities, *stormwater* management ponds, and *stormwater* utility).
- B. Showing a Lack of Practical Alternatives. A lack of practical alternatives may be shown by demonstrating that, considering the potential for a reduction in size, configuration, or *density* of the proposed activity and all alternative designs, the basic project purpose cannot be practically accomplished in a manner which would avoid or result in less adverse impact to surface waters.

§42-240 Structural and Nonstructural Stormwater BMPs Maintenance

42-240.1 Dedication of BMPs, Facilities and Improvements

The *County* may, but is not obligated to, accept dedication of any existing or future *stormwater* management facility for maintenance, provided such facility meets all the requirements of Subpart B and includes adequate and perpetual access and sufficient area, by *easement* or otherwise, for inspection and regular maintenance.

42-240.2 General Standards for Maintenance

- A. Function of Stormwater BMPs As Intended. The *owner* of each *structural stormwater BMP* installed pursuant to Subpart B shall maintain and operate it so as to preserve and continue its function in controlling *stormwater* quality and quantity at the degree or amount of function for which the *structural stormwater BMP* was designed.
- B. Annual Maintenance Inspection and Report. The person responsible for maintenance of any *structural stormwater BMP* installed pursuant to Subpart B shall submit to the *Water Quality Administrator* an inspection report from either a qualified registered North Carolina professional engineer or landscape architect. The inspection report shall contain all of the following:
 - (1) The name and address of the land *owner*;
 - (2) The recorded book and page number of the *lot* of each *structural BMP*;
 - (3) A statement that an inspection was made of all *structural stormwater BMPs*;
 - (4) The date the inspection was made;
 - (5) A statement that all inspected *structural stormwater BMPs* are performing properly and are in compliance with the terms and conditions of the approved maintenance agreement required by Subpart B; and
 - (6) The original signature and seal of the engineer or landscape architect.

All inspection reports shall be on forms supplied by the *Water Quality Administrator*. An original inspection report shall be provided to the *Water Quality Administrator* beginning one (1) year from the date of as-built certification and each year thereafter on or before the date of the as-built certification.

42-240.3 Operation and Maintenance Agreement

- A. In General. Prior to the conveyance or transfer of any *lot* or *building* site to be served by a *structural stormwater BMP* pursuant to Subpart B, and prior to issuance of any permit for *development* or *redevelopment* requiring a *structural stormwater BMP* pursuant to Subpart B, the *applicant* or *owner* of the site must execute an operation and maintenance agreement that shall be binding on all subsequent *owners* of the site, portions of the site, and *lots* or parcels served by the *structural BMP*. Until the transference of all property, sites, or *lots* served by the *structural BMP*, the original *owner* or *applicant* shall have primary responsibility for carrying out the provisions of the maintenance agreement.

The operation and maintenance agreement shall require the *owner* or *owners* maintain, repair and, if necessary, reconstruct the *structural BMP*, and shall state the terms, conditions, and schedule of maintenance for the *structural BMP*. In addition, it shall grant the *County* a right of entry in the event that the *Water Quality Administrator* has reason to believe it has become necessary to inspect, monitor, maintain, repair, or reconstruct the *structural BMP*; however, in no case shall the right of entry, of itself, confer an obligation on the *County* to assume responsibility for the *structural BMP*.

The operation and maintenance agreement must be approved by the *Water Quality Administrator* prior to plan approval, and it shall be referenced on the *final plat* and shall be recorded with the *County* Register of Deeds upon *final plat* approval. A copy of the recorded maintenance agreement shall be given to the *Water Quality Administrator* within 14 days following its recordation.

- B. Special Requirement for Homeowners' and Other Associations. For all *structural stormwater BMPs* required pursuant to Subpart B and that are to be or are owned and maintained by a homeowners' association, property owners' association, or similar entity, the required operation and maintenance agreement shall include all of the following provisions:
- (1) Acknowledgment that the association shall continuously operate and maintain the *stormwater* control and management facilities.
 - (2) Granting to the *County* a right of entry to inspect, monitor, maintain, repair, and reconstruct *structural stormwater BMPs*.
 - (3) Allowing the *County* to recover from the association and its members any and all costs the *County* expends to maintain or repair the *structural stormwater BMPs* or to correct any operational deficiencies. Failure to pay the *County* all of its expended costs, after 45 days written notice, shall constitute a breach of the agreement. In case of a deficiency, the *County* shall thereafter be entitled to bring an action against the association and its members to pay, or foreclose upon the lien hereby authorized by the agreement against the property, or both. Interest, collection costs, and attorney fees shall be added to the recovery.

- (4) A statement that this agreement shall not obligate the *County* to maintain or repair any *structural stormwater BMPs*, and the *County* shall not be liable to any *person* for the condition or operation of *structural stormwater BMPs*.
- (5) A statement that this agreement shall not in any way diminish, limit, or restrict the right of the *County* to enforce any of its ordinances as authorized by law.
- (6) A provision indemnifying and holding harmless the *County* for any costs and injuries arising from or related to the *structural stormwater BMP*, unless the *County* has agreed in writing to assume the maintenance responsibility for the *BMP* and has accepted dedication of any and all rights necessary to carry out that maintenance.

42-240.4 Inspection Program

Inspections and inspection programs by the *County* may be conducted or established on any reasonable basis, including but not limited to routine inspections; random inspections; inspections based upon complaints or other notice of possible violations; and joint inspections with other agencies inspecting under environmental or safety laws. Inspections may include, but are not limited to, reviewing maintenance and repair records; sampling discharges, surface water, groundwater, and material or water in *stormwater BMPs*; and evaluating the condition of *stormwater BMPs*.

If the *owner* or occupant of any property refuses to permit such inspection, the *Water Quality Administrator* shall proceed to obtain an administrative search warrant pursuant to *NCGS 15-27.2* or its successor. No *person* shall obstruct, hamper or interfere with the *Water Quality Administrator* while carrying out his/her official duties.

42-240.5 Reserved

42-240.6 Notice to Owners

- A. Deed Recordation and Indications on Plat. The applicable operations and maintenance agreement, conservation easement, or dedication and acceptance into public maintenance (whichever is applicable) pertaining to every *structural stormwater BMP* shall be referenced on the *final plat* and shall be recorded with the County Register of Deeds upon *final plat* approval. If no *subdivision plat* is recorded for the site, the operations and maintenance agreement, conservation easement, or dedication and acceptance into public maintenance, whichever is applicable shall be recorded with the *County Register of Deeds* so as to appear in the chain of title of all subsequent purchasers under generally accepted searching principles.
- B. Signage. Where appropriate in the *determination* of the *Water Quality Administrator* to assure compliance with this Subpart B, *structural stormwater BMPs* shall be posted with a conspicuous *sign* stating who is responsible for required maintenance and annual inspection. The *sign* shall be maintained so as to remain visible and legible.

42-240.7 Records of Installation and Maintenance Activities

The *owner* of each *structural stormwater BMP* shall keep records of inspections, maintenance, and repairs for at least five (5) years from the date of creation of the record and shall submit the same upon reasonable request to the *Water Quality Administrator*.

42-240.8 Nuisance

The *owner* of each *stormwater BMP*, whether *structural stormwater BMP* or non-structural *BMP*, shall maintain it so as not to create or result in a nuisance condition.

42-240.9 Maintenance Easement

Every *structural stormwater BMP* installed pursuant to Subpart B shall be made accessible for adequate maintenance and repair by a maintenance *easement*. The easement shall be recorded and its terms shall specify who may make use of the *easement* and for what purposes.

§42-241 Responsible Persons/Entities

Any *person* who erects, constructs, reconstructs, alters (whether actively or passively), or fails to erect, construct, reconstruct, alter, repair or maintain any *structure, BMP, practice, or condition* in violation of this Subpart B shall be subject to the remedies, penalties, and/or enforcement actions in accordance with this §42-377 (Violations). *Persons* subject to the remedies and penalties set forth herein may include any architect, engineer, builder, contractor, developer, agency, or any other *person* who participates in, assists, directs, creates, causes, or maintains a condition that results in or constitutes a violation of this Subpart B, or fails to take appropriate action, so that a violation of the same results or persists; or an *owner, any tenant or occupant, or any other person, who has control over, or responsibility for, the use or development* of the property on which the violation occurs. Responsible person(s) shall include but not be limited to:

- A. Person Maintaining Condition Resulting In or Constituting Violation. An architect, engineer, builder, contractor, developer, agency, or any other person who participates in, assists, directs, creates, causes, or maintains a condition that constitutes a violation of this Subpart B or fails to take appropriate action, so that a violation of the same results or persists.
- B. Responsibility For Land or Use of Land. The *owner* of the land on which the violation occurs, any tenant or occupant of the property, any *person* who is responsible for *stormwater* controls or practices pursuant to a private agreement or public document, or any *person, who has control over, or responsibility for, the use, development or redevelopment* of the property.

§42-242 Fees

The Board of Commissioners shall establish permit review fees as well as policies regarding refund of any fees upon withdrawal of an application, and may amend and update the fees and policies from time to time.

§42-243 Effective Date

This stormwater regulations of this Subpart B shall take effect September 1, 2010.

§42-244 Severability

If the provisions of any section, subsection, paragraph, subdivision or clause of Subpart B shall be adjudged invalid by a court of competent jurisdiction, such judgment shall not affect or invalidate the remainder of any section, subsection, paragraph, subdivision or clause of this subpart.

Notwithstanding any other provision contained herein, nothing herein shall be construed to restrict any property owner subject to this ordinance in any manner or to any extent greater than otherwise would be the case in the absence of the adoption of this Ordinance. Any provision hereof which restricts any property owner subject to this ordinance in any manner or to any extent greater than otherwise would be the case in the absence of the adoption of this Ordinance is declared to be a nullity, and shall have no effect.

§42-245 Reserved

§42-246 Reserved

§42-247 Reserved

§42-248 Reserved

§42-249 Reserved

Subpart C. Perennial and Intermittent Surface Water Buffers

§42-250 Perennial and Intermittent Surface Water Buffers

A surface water shall be deemed present if the feature is approximately shown on either the most recent version of the soil survey map prepared by the Natural Resources Conservation Service of the United States Department of Agriculture or the most recent version of the 1:24,000 scale (7.5 minute) quadrangle topographic maps prepared by the United States Geological Survey (*USGS*). An exception to this requirement may be allowed when surface waters are not present in accordance with the provisions of 15A *NCAC* 2B .0233 (3)(a) or similar site-specific *determination* made using methodology approved by *NCDENR* Division of Water Quality. All *built-upon area* shall be at a minimum of:

- A. 30 feet landward of all perennial and intermittent surface waters; or
- B. 100 feet landward of any perennial surface waters located within a *water supply watershed* when using the *high-density option*.

Desirable artificial stream bank or shoreline stabilization is permitted. No new development is allowed in the *buffer* except for *water dependent structures*, other *structures* such as flag poles, *signs* and security lights which result in only minimal increases in *impervious surface* area and public projects, such as *road* crossings and *greenways* where no practical alternative exists. These activities should minimize *built-upon area*; direct runoff away from the surface waters; and maximize the utilization of *stormwater best management practices*.

Subpart D. Protected Mountain Ridges

§42-251 Protected Mountain Ridges

The 300 foot elevation requirement shall be eliminated from the definition of “*protected mountain ridges*” for Henderson County as authorized by *NCGS* 113A-206(6), and the Board of Commissioners requests that the provisions of *NCGS* 113A-209 apply to all mountain ridges in Henderson County whose elevation is 500 feet or more above the valley floor beginning January 1, 1984.

Note: The foregoing is a re-codification of an ordinance adopted by Henderson County in 1983. The adoption of the Henderson County Land Development Code only relocated its text within the Henderson County Code. Following is the applicable North Carolina General Statute as of November 6, 1983. Henderson County will make every attempt to update the language in this section in a timely manner as the State revised its *Protected Mountain Ridges* legislation. Below is Article 14 which describes the Mountain Ridge Protection Act of 1983, but readers are directed to the North Carolina General Statutes for the most current text.

**ARTICLE 14.
MOUNTAIN RIDGE PROTECTION.**

§ 113A-205. Short title.

This Article shall be known as the Mountain Ridge Protection Act of 1983. (1983, c. 676, s. 1.)

§ 113A-206. Definitions.

Within the meaning of this Article:

- (1) The word "*person*" includes any individual, partnership, firm, association, joint venture, public or private corporation, trust, estate, commission, board, public or private institution, utility, cooperative, interstate body, the State of North Carolina and its agencies and political *subdivisions*, or other legal entity.
- (2) A *person*, as defined in this section, doing business or maintaining an office within a county is a resident of the county.
- (3) "Tall *buildings* or *structures*" include any *building*, *structure* or unit within a multiunit *building* with a vertical height of more than 40 feet measured from the top of the foundation of said *building*, *structure* or unit and the uppermost point of said *building*, *structure* or unit; provided, however, that where such foundation measured from the natural finished grade of the crest or the natural finished grade of the high side of the *slope* of a ridge exceeds 3 feet, then such measurement in excess of 3 feet shall be included in the 40-foot limitation described herein; provided, further, that no such *building*, *structure* or unit shall protrude at its uppermost point above the crest of the ridge by more than 35 feet. "Tall *buildings* or *structures*" do not include:
 - a. Water, radio, telephone or television towers or any equipment for the transmission of electricity or communications or both.
 - b. *Structures* of a relatively slender nature and minor vertical projections of a parent *building*, including chimneys, flagpoles, flues, spires, steeples, belfries, cupolas, *antennas*, poles, wires, or windmills.
 - c. *Buildings* and *structures* designated as National Historic Sites on the National Archives Registry.
- (4) "Construction" includes reconstruction, alteration, or expansion.
- (5) "Ridge" means the elongated crest or series of crests at the apex or uppermost point of intersection between two opposite *slopes* or sides of a mountain, and includes all land within 100 feet below the elevation of any portion of such line or surface along the crest.
- (6) "Protected mountain ridges" are all mountain ridges whose elevation is 3,000 feet and whose elevation is 500 or more feet above the elevation of an adjacent *valley floor*; provided, however, that a county, or a city with a population of fifty thousand (50,000) or more, may elect to eliminate the requirement for an elevation of 3,000 feet, and such election shall apply both to an ordinance adopted under G.S. 113A-208 and the prohibition against construction under G.S. 113A-209; provided, further, that such ordinance shall be adopted pursuant to the procedures of G.S. 113A-208.
- (7) "Crest" means the uppermost line of a mountain or chain of mountains from which the land falls away on at least two sides to a lower elevation or elevations. (1983, c. 676, s. 1; 1985, c. 713, s. 1.)

§ 113A-207. Legislative findings.

The construction of tall or major *buildings* and *structures* on the ridges and higher elevations of North Carolina's mountains in an inappropriate or badly designed manner can cause unusual problems and hazards to the residents of and to visitors to the mountains. Supplying water to, and disposing of the sewage from, *buildings* at high elevations with significant numbers of residents may infringe on the ground water rights and endanger the health of those *persons* living at lower elevations. Providing fire protection may be difficult given the lack of water supply and

pressure and the possibility that fire will be fanned by high winds. Extremes of weather can endanger *buildings, structures, vehicles, and persons*. Tall or major *buildings and structures* located on ridges are a hazard to air navigation and *persons* on the ground and detract from the natural beauty of the mountains. (1983, c. 676, s. 1.)

§ 113A-208. Regulation of mountain ridge construction by counties and cities.

- (a) Any county or city may adopt, effective not later than January 1, 1984, and may enforce an ordinance that regulates the construction of tall *buildings* or *structures* on protected mountain ridges by any *person*. The ordinance may provide for the issuance of permits to construct tall *buildings* on protected mountain ridges, the conditioning of such permits, and the denial of permits for such construction. Any ordinance adopted hereunder shall be based upon studies of the mountain ridges within the county, a statement of objectives to be sought by the ordinance, and plans for achieving these objectives. Any such county ordinance shall apply countywide except as otherwise provided in G.S. 160D-924, and any such city ordinance shall apply citywide, to construction of tall *buildings* on protected mountain ridges within the city or county, as the case may be. A city with a population of 50,000 or more may adopt, prior to January 1, 1986, an ordinance eliminating the requirement for an elevation of 3,000 feet, as permitted by G.S. 113A-206(6).
- (b) Under the ordinance, permits shall be denied if a permit application (and shall be revoked if a project) fails to provide for:
 - (1) Sewerage that meets the requirements of a public *wastewater* disposal system that it discharges into, or that is part of a separate system that meets applicable State and federal standards;
 - (2) A *water supply system* that is adequate for *fire protection*, drinking water and other projected system needs; that meets the requirements of any public *water supply system* that it interconnects with; and that meets any applicable State standards, requirements and approvals;
 - (3) Compliance with applicable State and local *sedimentation* control regulations and requirements; and
 - (4) Adequate consideration to protecting the natural beauty of the mountains, as determined by the local governing body.
- (c) Permits may be conditioned to insure proper operation, to avoid or mitigate any of the problems or hazards recited in the findings of G.S. 113A-207, to protect natural areas or the public health, and to prevent badly designed, unsafe or inappropriate construction.
- (d) An ordinance adopted under the authority of this section applies to all protected mountain ridges as defined in G.S. 113A-206. A county or city may apply the ordinance to other mountain ridges within its jurisdiction if it finds that this application is reasonably necessary to protect against some or all of the hazards or problems set forth in G.S. 113A-207. Additionally, a city with a population of 50,000 or more may apply the ordinance to other mountain ridges within its extraterritorial planning jurisdiction if it finds that this application is reasonably necessary to protect against some or all of the hazards or problems set forth in G.S. 113A-207.
- (e) *Determinations* by the county or city governing board of heights or elevations under this Article shall be conclusive in the absence of fraud. Any county or city that adopts a ridge ordinance under the authority of this section or other authority shall send a copy of the ordinance to the Secretary of Environment and Natural Resources.
- (f) Any county or city that adopts an ordinance pursuant to this section must hold a public hearing before adopting the ordinance upon the question of adopting the ordinance or of allowing the construction of tall *buildings* on protected mountain ridges to be governed by G.S. 113A-209. The public hearing required by this section shall be held upon at least 10 days' notice in a newspaper of general circulation in the unit adopting the ordinance. Testimony at the hearing shall be recorded and any and all exhibits shall be preserved within the custody of the governing body. The testimony and evidence shall be made available for inspection and scrutiny by any *person*.
- (g) Any resident of a county or city that adopted an ordinance pursuant to this section, or of an adjoining county, may bring a civil action against the ordinance-adopting unit, contesting the ordinance as not meeting the requirements of this section. If the ordinance is found not to meet all of the requirements of this section, the county or city shall be enjoined from enforcing the ordinance and the provisions of G.S. 113A-209 shall apply. Nothing in this Article authorizes the State of North Carolina or any of its agencies to bring a civil action to contest an ordinance, or for a *violation* of this Article or of an ordinance adopted pursuant to this Article. (1983, c. 676, s. 1; 1985, c. 713, ss. 2, 4; 1989, c. 727, s. 218(78); 1997-443, s. 11A.119(a).)

§ 113A-209. Certain *buildings* prohibited.

- (a) This section applies beginning January 1, 1984, in any county or city that has failed to adopt a ridge protection ordinance pursuant to G.S. 113A-208 by January 1, 1984.
- (b) No county or city may authorize the construction of, and no *person* may construct, a tall *building* or *structure* on any protected mountain ridge.
- (c) No county or city may authorize the providing of the following utility services to any *building* or *structure* constructed in *violation* of subsection (b) of this section: electricity, telephone, gas, water, sewer, or septic system. (1983, c. 676, s. 1.)

§ 113A-210. Application to existing buildings.

General Statutes 113A-208 and 113A-209 apply to *buildings* that existed upon the effective date of this Article as follows:

- (1) No reconstruction, alteration or expansion may aggravate or intensify a *violation* by an existing *building* or *structure* that did not comply (a) with G.S. 113A-209 upon its effective date, or (b) with an ordinance adopted under G.S. 113A-208 upon its effective date.
- (2) No reconstruction, alteration or expansion may cause or create a *violation* by an existing *building* or *structure* that did comply (a) with G.S. 113A-209 upon its effective date, or (b) with an ordinance adopted under G.S. 113A-208 upon its effective date. (1983, c. 676, s. 1.)

§ 113A-211. Enforcement and penalties.

- (a) *Violations* of this Article shall be subject to the same criminal sanctions, civil penalties and equitable remedies as *violations* of county ordinances under G.S. 160D-401.
- (b) Any *person* injured by a *violation* of this Article or any *person* who resides in the county in which the *violation* occurred may bring a civil action against the *person* alleged to be in *violation*. The action may seek:
 - (1) Injunctive relief; or
 - (2) An order enforcing the provision violated; or
 - (3) Damages caused by the *violation*; or
 - (4) Both damages and injunctive relief; or
 - (5) Both damages and an enforcement order; or
 - (6) Both an enforcement order and injunctive relief.

If actual damages as found by the court or jury in suits brought under this subsection are five hundred dollars (\$500.00) or less, the plaintiff shall be awarded double the amount of actual damages; if the amount of actual damages as found by the court or jury is greater than five hundred dollars (\$500.00), the plaintiff shall receive damages in the amount so found. Injunctive relief or an enforcement order under this subsection may be based upon a threatened injury, an actual injury, or both.

Civil actions under this subsection shall be brought in the General Court of Justice of the county in which the alleged *violation* occurred. The court, in issuing any final order in any action brought pursuant to this section may award costs of litigation, including reasonable attorney and expert-witness fees, to any party, whenever it determines that such an award is appropriate. The court may, if a temporary restraining order or preliminary injunction is sought, require the filing of a *bond* or equivalent security, the amount of such *bond* or security to be determined by the court. Nothing in this section shall restrict any right which any *person* or class of *persons* may have under the common law or under any statute to seek injunctive or other relief.

- (c) Within the meaning of this section, *violations* of this Article include *violations* of local ordinances adopted pursuant to G.S. 113A- 208. (1983, c. 676, s. 1.)

§ 113A-212. Assistance to counties and cities under ridge law.

- (a) The Secretary of Environment and Natural Resources shall provide assistance upon request to the counties and cities in carrying out their functions pursuant to this Article, such as by providing model studies, plans, and ordinances for their consideration.
- (b) The Secretary of Environment and Natural Resources shall identify the protected mountain ridge crests in each county by showing them on a map or drawing, describing them in a document, or any combination thereof. Such maps, drawings, or documents shall identify the protected mountain ridges as defined in G.S. 113A-206 and such other mountain ridges as any county may request, and shall specify those protected mountain ridges that serve as all or part of the boundary line between two counties. By November 1, 1983, the map, drawing, or document tentatively identifying the protected mountain ridge

crests of each county shall be filed with the board of county commissioners and with the city governing body of each city that requests it. By January 1, 1984, the map, drawing, or document identifying the protected mountain ridge crests shall be permanently filed by the Secretary with the register of deeds in the county where the land lies, and made available for inspection at the Secretary's office in Raleigh. Copies of the maps, drawings, or documents certified by the register of deeds, shall be admitted in evidence in all courts and shall have the same force and effect as would the original.

- (b1) By January 1, 1986, a map, drawing, or document tentatively identifying the protected mountain ridge crests of each city with a population of fifty thousand (50,000) or more that has eliminated the requirement for a minimum elevation of 3,000 feet, shall be filed by the Secretary of Environment and Natural Resources with the board of county commissioners and with the city governing body. By March 1, 1986, the map, drawing, or document identifying the protected mountain ridge crests in the city with a population of fifty thousand (50,000) or more shall be permanently filed by the Secretary with the register of deeds in the county where the land within that city with a population of fifty thousand (50,000) or more lies, and shall be made available for inspection at the Secretary's office in Raleigh. Copies of the maps, drawings, or documents certified by the register of deeds shall be admitted in evidence in all courts and shall have the same force and effect as would the original.
- (c) *Determinations* by the Secretary of elevations under this section shall be conclusive in the absence of fraud. (1983, c. 676, s. 1; 1985, c. 713, s. 3; 1989, c. 727, s. 218(79); 1997-443, s. 11A.119(a).)

§ 113A-213. Article is supplemental.

This Article provides a supplemental source of authority in addition to other present or future legislation and shall not be construed as prescribing an exclusive procedure or as granting exclusive powers. (1983, c. 676, s. 1.)

§ 113A-214. Choosing coverage or removal from coverage of this Article.

- (a) This Article shall apply in all counties and cities unless and until the jurisdiction adopts an ordinance exempting itself from the coverage of this Article.

This exemption shall only be effective after a binding referendum, in which all registered voters in the jurisdiction are eligible to vote, which shall be held on or before May 8, 1984. The binding referendum shall be held either as a result of a resolution passed by the governing body of the jurisdiction or as a result of an initiative petition signed by fifteen percent (15%) of the registered voters in the jurisdiction and filed with the Board of Elections of that county not later than 60 days before the election is to be held. At that referendum, each qualified voter desiring to vote shall be provided a ballot on which shall be printed the following:

- FOR coverage under the Mountain Ridge Protection Act of 1983.
- AGAINST coverage under the Mountain Ridge Protection Act of 1983.
- (b) If a jurisdiction removes itself from the coverage of this Article, by means of a binding referendum, as provided for in subsection (a) of this section, then it shall have until May 13, 1986 to place itself again under the coverage of this Article by means of an ordinance passed after a similar binding referendum. Once a jurisdiction opts out and then opts back under the Article, it may not take any further action to again remove itself from the coverage of the Article.
- (c) If a county has chosen the permit procedure authorized by G.S. 113A-208, and then opts out of and either the county or any city in the county opts back under the coverage of this Article, then that jurisdiction may choose the permit procedure even after January 1, 1984.
- (d) When a county removes itself from the coverage of this Article all cities within the county shall be removed from the coverage of this Article. Provided, however, a city in a county that has removed itself from coverage may, under the procedure set forth in subsection (b) of this section, place itself again under the coverage of this Article.
- (e) When a protected mountain ridge is any part of the boundary between two jurisdictions then that part of the ridge shall be covered by this Article unless both jurisdictions remove themselves from the coverage of this Article. (1983, c. 676, s. 1.)

§§ 113A-215 through 113A-219. Reserved for future codification purposes.

Subpart E. Soil Erosion and Sedimentation Control

§42-252 Purpose

This subpart is adopted for the purposes of: (1) regulating certain *land-disturbing activity* to control *accelerated erosion* and *sedimentation* in order to prevent the pollution of water and other damage to lakes, watercourses, and other public and private property by *sedimentation*; (2) protecting economic and ecological integrity of the County; and (3) establishing procedures through which these purposes can be fulfilled.

§42-253. Scope and Exclusions

- A. Geographical Scope of Regulated Land-Disturbing Activity. This subpart shall apply to *land-disturbing activity* within the unincorporated areas of Henderson County and its municipalities as allowed by agreement between *local governments*, the extent of annexation or other appropriate legal instrument or law.
- B. Exclusions from Regulated Land-Disturbing Activity. Notwithstanding the general applicability of this subpart to all *land-disturbing activity*, this subpart shall not apply to the following types of *land-disturbing activity*:
 - (1) Activities, including the production and activities relating or incidental to the production of crops, grains, fruits, vegetables, ornamental and flowering plants, dairy, livestock, poultry, and all other forms of agriculture undertaken on agricultural land for the production of plants and animals useful to man, including, but not limited to:
 - a. forage and sod crops, grain and feed crops, tobacco, cotton, and peanuts.
 - b. dairy animals and dairy products.
 - c. poultry and poultry products.
 - d. livestock, including beef cattle, llamas, sheep swine, horses, ponies, mules, and goats.
 - e. bees and apiary products.
 - f. fur producing animals.
 - g. mulch, ornamental plants, and other horticultural products. For purposes of this section, "mulch" means substances composed primarily of plant remains or mixtures of such substances.
 - (2) An activity *undertaken* on forestland for the production and harvesting of timber and timber products and conducted in accordance with standards defined by the Forest Practice Guidelines Related to Water Quality (Best Management Practices), as adopted by North Carolina Department of Agriculture and Consumer Services. If *land-disturbing activity undertaken* on forestland for the production and harvesting of timber and timber products is not conducted in accordance with standards defined by the Forest Practice Guidelines Related to Water Quality, the provisions of this subpart shall apply to such activity and any related *land-disturbing activity* on the *tract*.
 - (3) An activity for which a permit is required under the Mining Act of 1971, Article 7 of Chapter 74 of the General Statutes.
 - (4) A *land-disturbing activity* over which the State has exclusive regulatory jurisdiction as provided in G.S. §113A-56(a).

- (5) An activity which is essential to protect human life during an emergency.
 - (6) Activities undertaken to restore the wetland functions of converted wetlands to provide compensatory mitigation to offset impacts permitted under Section 404 of the Clean Water Act.
 - (7) Activities undertaken pursuant to Natural Resources Conservation Services standards to restore the wetlands functions of converted wetlands as defined in Title 7 Code of Federal Regulations §12.2.
- C. Plan Approval Requirement for Land-Disturbing Activity. No *Person* shall undertake any *land-disturbing activity* subject to this subpart without first obtaining a Plan approval from the *Soil Erosion and Sedimentation Control Administrator*.
- (1) For the purpose of the subpart, an erosion control plan shall be required for:
 - a. Any *land-disturbing activity* which uncovers one or more acres (43,560 square feet) of land.
- D. Protection of Property. *Persons* conducting *land-disturbing activity* shall take all reasonable measures to protect all public and private property from damage caused by such activity.
- E. More Restrictive Rules Shall Apply. Whenever conflicts exist between federal, state, or local laws, ordinances, or rules, the more restrictive provision shall apply.
- F. Plan Approval Exceptions. Notwithstanding the general requirement to obtain an Erosion and Sedimentation Control Plan approval prior to undertaking *land-disturbing activity*, Plan approval shall not be required for *land-disturbing activity* that does not exceed one acre of land disturbance. No Erosion and Sedimentation Control Plan approval is required if a building permit has been obtained prior to the effective date of this subpart (October 1, 2007) and Erosion and Sedimentation Control Plan approval was not required under State rules. In determining the area, lands under one or diverse ownership being developed as a unit will be aggregated.

§42-254. Mandatory Standards for Land Disturbing Activity

No *land-disturbing activity* subject to the control of this subpart shall be *undertaken* except in accordance with the following mandatory standards:

A. Buffer Zone

- (1) Standard Buffer. No *land-disturbing activity* during periods of construction or improvement to land shall be permitted in proximity to a *lake or natural watercourse* unless a *buffer zone* is provided along the margin of the watercourse of sufficient width to confine visible *siltation* within the 25 percent of the *buffer zone* nearest the *land-disturbing activity*.
 - a. Projects On, Over or Under Water. This subsection shall not apply to a *land-disturbing activity* in connection with the construction of facilities to be located on, over, or under a *lake or natural watercourse*.
 - b. Buffer Measurement. Unless otherwise provided, the width of a *buffer zone* is measured horizontally from the edge of the water to the nearest

edge of the disturbed area, with the 25 percent of the strip nearer the *land-disturbing activity* containing natural or artificial means of confining visible *siltation*.

- (2) Trout Buffer. Waters that have been classified as trout waters by the Environmental Management Commission shall have an undisturbed *buffer zone* 25 feet wide or of sufficient width to confine visible *siltation* within the 25 percent of the *buffer zone* nearest the *land-disturbing activity*, whichever is greater. Provided, however, that the Commission may approve plans which include *land-disturbing activity* along trout waters when the duration of said disturbance would be temporary and the extent of said disturbance would be minimal.
- a. Projects On, Over or Under Water. This subsection shall not apply to a *land-disturbing activity* in connection with the construction of facilities to be located on, over, or under a *lake or natural watercourse*.
 - b. Trout Buffer Measurement. The 25 foot minimum width for an undisturbed *buffer zone* adjacent to designated trout waters shall be measured horizontally from the top of the bank to the nearest edge of the disturbed area.
 - c. Limit on Land Disturbance. Where a temporary and minimal disturbance has been permitted as an exception to the trout buffer, *land-disturbing activities* in the *buffer zone* adjacent to designated trout waters shall be limited to a maximum of ten (10) percent of the total length of the *buffer zone* within the *tract* to be disturbed such that there is not more than 100 linear feet of disturbance in each 1000 linear feet of *buffer zone*. Larger areas may be disturbed with the written approval of the Director.
 - d. Limit on Temperature Fluctuations. No *land-disturbing activity* shall be *undertaken* within a *buffer zone* adjacent to designated trout waters that will cause adverse temperature fluctuations in the trout waters, as set forth in 15 NCAC 2B.0211 “Fresh Surface Water Classification and Standards.”
- B. Graded Slopes and Fills. The angle for graded slopes and fills shall be no greater than the angle that can be retained by vegetative cover or other adequate *erosion* control devices or *structures*. In any event, slopes left exposed will, within 21 calendar days of completion of any *phase of grading*, be planted or otherwise provided with temporary or permanent *ground cover*, devices, or *structures* sufficient to restrain *erosion*. The angle for graded slopes and fills must be demonstrated to be stable. Stable is the condition where the soil remains in its original configuration, with or without mechanical constraints.
- C. Fill Material. Materials being used as fill shall be consistent with those described in 15A NCAC 13B .0562 unless the site is permitted by the Department’s Division of Waste Management to operate as a landfill. Not all materials described in Section .0562 may be suitable to meet geotechnical considerations of the fill activity and should be evaluated accordingly.

- D. Ground Cover. Whenever *land-disturbing activity* that will disturb more than one acre is *undertaken* on a *tract*, the *person* conducting the *land-disturbing activity* shall install *erosion* and *sedimentation* control devices and practices that are sufficient to retain the *sediment* generated by the *land-disturbing activity* within the boundaries of the *tract* during construction upon and development of said *tract*, and shall plant or otherwise provide a permanent *ground cover* sufficient to restrain *erosion* after *completion of construction or development*. Except as provided in §42-257 (Design and Performance Standards) B(5) of this subpart, provisions for a *ground cover* sufficient to restrain *erosion* must be accomplished within 90 calendar days following *completion of construction or development*.
- E. Prior Plan Approval. No *person* shall initiate any *land-disturbing activity* that will disturb more than one acre on a *tract* unless, 30 or more days prior to initiating the activity, a Plan for the activity is filed with and approved by the Henderson County *Soil Erosion and Sedimentation Control Administrator*. The County shall forward to the Director of the Division of Water Quality a copy of each Erosion and Sedimentation Control Plan for a *land-disturbing activity* that involves the utilization of ditches for the purpose of de-watering or lowering the water table of the *tract*.
- F. The land disturbing activity shall be conducted in accordance with the approved erosion and sedimentation control plan.

§42-255. Erosion and Sedimentation Control Plans

- A. Pre-Submittal Conference. A pre-submittal conference can be requested by a *person* or an agent of that party conducting *land-disturbing activity*. At the pre-submittal, the *Soil Erosion and Sedimentation Control Administrator* shall inform the *applicant* of the processes involved with Erosion and Sedimentation Control Plan review and approval, issuance of an Erosion and Sedimentation Control Plan Certificate and Letter of Approval, and the relationship of said Erosion and Sedimentation Control Plan and Letter of Approval with zoning, building code, and other land-use regulations in effect in Henderson County. At the time of application submission, the *Soil Erosion and Sedimentation Control Administrator* also shall notify the *applicant* of the *appeal* process as provided in the subpart.
- B. Plan Submission. An Erosion and Sedimentation Control Plan shall be prepared for all *land-disturbing activities* subject to this subpart. An Erosion and Sedimentation Control Plan shall be prepared by a *design professional*. Three (3) copies of the Erosion and Sedimentation Control Plan shall be filed with the *Soil Erosion and Sedimentation Control Administrator* at least 30 days prior to the commencement of the proposed activity.
- C. Financial Responsibility and Ownership. Erosion and Sedimentation Control Plans may be disapproved when not accompanied by an authorized statement of financial responsibility and ownership. This statement shall be signed by the *person* financially responsible for the *land-disturbing activity* or his attorney in fact. The statement shall include the mailing and street addresses of the principal place of business of (1) the *person* financially responsible, (2) the *owner* of the land, and (3) any registered agents. If the *person* financially responsible is not a resident of North Carolina, a North Carolina agent must be designated in the statement for the purpose of receiving notice of

compliance or non-compliance with the Erosion and Sedimentation Control Plan, the North Carolina Sedimentation Pollution Control Act of 1973, this subpart, or rules or orders adopted or issued pursuant to this subpart. If the *applicant* is not the *owner* of the land to be disturbed, the draft Erosion and Sedimentation Control Plan must include the *owner's* written consent for the *applicant* to submit a draft Erosion and Sedimentation Control Plan and to conduct the anticipated *land-disturbing activity*.

- D. Environmental Policy Act Document. Any Erosion and Sedimentation Control Plan submitted for a *land-disturbing activity* for which an environmental document is required by the North Carolina Environment Policy Act (*NCGS* §113A-1, et seq.) shall be deemed incomplete until a complete environmental document is available for review. The *Soil Erosion and Sedimentation Control Administrator* shall promptly notify the *person* submitting the Erosion and Sedimentation Control Plan that the 30 day time limit for review of the Erosion and Sedimentation Control Plan pursuant to this subpart shall not begin until a complete environmental document is available for review.
- E. Content. The Erosion and Sedimentation Control Plan required by this section shall contain architectural and engineering drawings, maps, assumptions, calculations, and narrative statements as needed to adequately describe the proposed development of the *tract* and the measures planned to comply with the requirements of this subpart. Erosion and Sedimentation Control Plan content may vary to meet the needs of specific site requirements. Detailed guidelines for Erosion and Sedimentation Control Plan preparation may be obtained from the *Soil Erosion and Sedimentation Control Administrator* on request.
- F. Erosion and Sedimentation Control Design Manual. Appropriate *erosion* and *sedimentation* practices and measures shall be in accordance to the *Erosion and Sedimentation Control Design Manual* developed by the State or any Erosion and Sedimentation Control Design Manual adopted by Henderson County or any supplemental materials.
- G. Soil and Water Conservation District Comments. The Henderson County Soil and Water Conservation District, created pursuant to *NCGS* Chapter 139, and hereafter “the District” shall review the Erosion and Sedimentation Control Plan and submit any comments and recommendations to the *Soil Erosion and Sedimentation Control Administrator* within 20 days after the District received the Erosion and Sedimentation Control Plan or within any shorter period of time as may be agreed upon by the District and Henderson County. Failure of the District to submit its comments and recommendations within 20 days or within any agreed-upon shorter period of time shall not delay final action on the Erosion and Sedimentation Control Plan.
- H. Timeline for Decisions on Plans. The *Soil Erosion and Sedimentation Control Administrator*, will review each complete Erosion and Sedimentation Control Plan submitted to them and within 30 days of receipt thereof will notify the *person* submitting the Erosion and Sedimentation Control Plan that it has been approved, approved with modifications, or disapproved. Failure to approve, approve with modifications, or disapprove a complete Erosion and Sedimentation Control Plan within 30 days of receipt shall be deemed approval. The *Soil Erosion and Sedimentation Control Administrator* will review each revised Erosion and Sedimentation Control Plan submitted to them and

within 15 days of receipt thereof will notify the *person* submitting the Erosion and Sedimentation Control Plan that it has been approved, approved with modifications, approved with performance reservations, or disapproved. Failure to approve, approve with modifications, or disapprove a revised Erosion and Sedimentation Control Plan within 15 days of receipt shall be deemed approval.

I. Approval.

- (1) The *Soil Erosion and Sedimentation Control Administrator* shall only approve an Erosion and Sedimentation Control Plan upon determining that it complies with all applicable State and local regulations for *erosion* and *sedimentation* control. Approval assumes the *applicant's* compliance with the federal and state water quality laws, regulations and rules. The *Soil Erosion and Sedimentation Control Administrator* shall condition approval of Erosion and Sedimentation Control Plans upon the *applicant's* compliance with federal and state water quality laws, regulations and rules. The *Soil Erosion and Sedimentation Control Administrator* may establish an expiration date, not to exceed three (3) years, for Erosion and Sedimentation Control Plans approved under this subpart.
- (2) When a development project contains an approved erosion control plan for the entire development, a separate erosion control plan shall not be required by Henderson County for development of individual residential lots within that development that disturb less than one acre if the developer and the builder are the same financially responsible person. For review of an erosion control plan for a single-family lot in a common plan of development under this subsection where the developer and builder are different, Henderson County may require the following information:
 - a. Name, address, telephone number, and email of owner of lot being developed.
 - b. Street address of lot being developed.
 - c. Subdivision name.
 - d. Lot number.
 - e. Tax parcel number of lot being developed.
 - f. Total acreage of lot being developed.
 - g. Total acreage disturbed.
 - h. Anticipated start and completion date.
 - i. Person financially responsible.
 - j. Signature of person financially responsible.
 - k. Existing platted survey of the lot.
 - l. A sketch plan showing erosion control measures for the lot being developed, but the sketch shall not be required to be under the seal of a design professional unless there is a design feature requiring such under federal or State law or regulation.
- (3) Except as may be required by federal law, rule, or regulation, a local erosion control program under section I.(b) above shall provide for all of the following:

- a. That no periodic self-inspections or rain gauge installation is required on individual residential lots where less than one acre is being disturbed on each lot.
- b. For a land-disturbing activity on more than one residential lot where the total land disturbed exceeds one acre, the person conducting the land-disturbing activity may submit for approval a single erosion control plan for all of the disturbed lots or may submit for review and approval under I.(b) of this section the erosion control measures for each individual lot.

(4) No erosion and sedimentation control plan submitted under section I.(b) above shall require any of the following:

- a. *A silt fence or other erosion control measure to be placed in a location where, due to the contour and topography of the development site, that erosion control measure would not substantially and materially retain the sediment generated by the land-disturbing activity within the boundaries of the tract during construction upon and development of the tract.*
- b. *A wire-backed reinforced silt fence where, due to the contour and topography of the development site, that fence would not substantially and materially retain the sediment generated by the land-disturbing activity within the boundaries of the tract during construction upon and development of the tract.*

J. Disapproval for Content. The *Soil Erosion and Sedimentation Control Administrator* may disapprove an Erosion and Sedimentation Control Plan or draft Erosion and Sedimentation Control Plan based on its content. A disapproval based upon an Erosion and Sedimentation Control Plan's content must specifically state in writing the reasons for disapproval.

K. Other Disapprovals. The *Soil Erosion and Sedimentation Control Administrator* may disapprove an Erosion and Sedimentation Control Plan or draft Erosion and Sedimentation Control Plans if implementation of the Erosion and Sedimentation Control Plan would result in a *violation* of the rules adopted by the Environmental Management Commission to protect riparian buffers along surface waters. A *local government* may disapprove an Erosion and Sedimentation Control Plan upon finding that an *applicant*, or a *parent, subsidiary, or other affiliate* of the *applicant*:

- (1) Is conducting or has conducted *land-disturbing activity* without an approved Erosion and Sedimentation Control Plan, or has received notice of *violation* of an Erosion and Sedimentation Control Plan previously approved by the North Carolina Sedimentation Control Commission or a *local government* pursuant to the North Carolina Sedimentation Pollution Control Act of 1973 and has not complied with the notice within the time specified in the notice;
- (2) Has failed to pay a civil penalty assessed pursuant to the North Carolina Sedimentation Pollution Control Act of 1973 or a local ordinance adopted pursuant to the North Carolina Sedimentation Pollution Control Act of 1973 by the time the payment is due;

- (3) Has been convicted of a misdemeanor pursuant to *NCG S §113A-64(b)* or any criminal provision of a local ordinance adopted pursuant to the North Carolina Sedimentation Pollution Control Act of 1973; or
- (4) Has failed to substantially comply with State rules or local ordinances and regulations adopted pursuant to the North Carolina Sedimentation Pollution Control Act of 1973.

For purposes of this subsection, an *applicant's* record may be considered for only the two (2) years prior to the application date.

In the event that an Erosion and Sedimentation Control Plan is disapproved pursuant to this subsection, the *Soil Erosion and Sedimentation Control Administrator* shall notify the Director of the Division of Land Resources of *NCDENR* of such disapproval within ten (10) days. The *Soil Erosion and Sedimentation Control Administrator* shall advise the *applicant* and the Director of the Division of Land Resources of *NCDENR* in writing as to the specific reasons that the Erosion and Sedimentation Control Plan was disapproved.

- L. Notice of Activity Initiation. No *person* may initiate a *land-disturbing activity* before notifying the agency that issued the Erosion and Sedimentation Control Plan approval of the date that *land-disturbing activity* will begin.
- M. Preconstruction Conference. When deemed necessary by the approving authority a preconstruction conference may be required.
- N. Display of Plan Approval. An Erosion and Sedimentation Control Plan approval issued under this subpart shall be prominently displayed until all construction is complete, all permanent *sedimentation* and *erosion* control measures are installed and the site has been stabilized. A copy of the approved plan shall be kept on file at the job site.
- O. Required Revisions. After approving an Erosion and Sedimentation Control Plan, if the *Soil Erosion and Sedimentation Control Administrator* either upon review of such Erosion and Sedimentation Control Plan or on inspection of the job site, determines that a significant risk of *accelerated erosion* or off-site *sedimentation* exists, the *Soil Erosion and Sedimentation Control Administrator* shall require a revised Erosion and Sedimentation Control Plan. Pending the preparation of the revised Erosion and Sedimentation Control Plan, work shall cease or shall continue under conditions outlined by the appropriate authority. If following commencement of a *land-disturbing activity* pursuant to an approved Erosion and Sedimentation Control Plan, the *Soil Erosion and Sedimentation Control Administrator* determines that the Erosion and Sedimentation Control Plan is inadequate to meet the requirements of this subpart, the *Soil Erosion and Sedimentation Control Administrator* may require any revision of the Erosion and Sedimentation Control Plan that is necessary to comply with this subpart.
- P. Amendment to a Plan. Applications for amendment of an Erosion and Sedimentation Control Plan in written and/or graphic form may be made at any time under the same conditions as the original application. Until such time as said amendment is approved by the *Soil Erosion and Sedimentation Control Administrator* the *land-disturbing activity* shall not proceed except in accordance with the Erosion and Sedimentation Control Plan as originally approved.

- Q. Failure to File a Plan. Any *person* engaged in *land-disturbing activity* who fails to file an Erosion and Sedimentation Control Plan in accordance with this subpart, or who conducts a *land-disturbing activity* except in accordance with provisions of an approved Erosion and Sedimentation Control Plan shall be deemed in *violation* of this Chapter.

§42-256. Basic Control Objectives

An *erosion* and *sedimentation* control Erosion and Sedimentation Control Plan may be disapproved if the Erosion and Sedimentation Control Plan fails to address the following control objectives:

- A. Identify Critical Areas. On-site areas which are subject to severe *erosion*, and off-site areas which are especially vulnerable to damage from *erosion* and/or *sedimentation*, are to be identified and receive special attention.
- B. Limit Time of Exposure. All *land-disturbing activities* are to be planned and conducted to limit exposure to the shortest feasible time.
- C. Limit Exposed Areas. All *land-disturbing activity* is to be planned and conducted to minimize the size of the area to be exposed at any one (1) time.
- D. Control Surface Water. Surface water runoff originating upgrate of exposed areas should be controlled to reduce *erosion* and *sediment* loss during the period of exposure.
- E. Control Sedimentation. All *land-disturbing activity* is to be planned and conducted so as to prevent off-site *sedimentation* damage.
- F. Manage *Stormwater* Runoff. When the increase in the *velocity* of *stormwater runoff* resulting from a *land-disturbing activity* is sufficient to cause *accelerated erosion* of the receiving watercourse, an Erosion and Sedimentation Control Plan is to include measures to control the *velocity* to the point of discharge so as to minimize *accelerated erosion* of the site and increased *sedimentation* of the stream.

§42-257. Design and Performance Standards

- A. Except as provided in §42-257 (Design and Performance Standards) B(2) of this subpart, *erosion* and *sedimentation* control measures, *structures*, and devices shall be planned, designed, and constructed to provide protection from the calculated maximum peak rate of runoff from the ten (10) year storm. Runoff rates shall be calculated using the procedures in the United States Department of Agriculture (USDA), Natural Resource Conservation Service's "National Engineering Field Handbook", or other acceptable calculation procedures.
- B. HQW Zones. In *High Quality Water (HQW)* zones the following design standards shall apply:
 - (1) Limit on Uncovered Area. *Uncovered* areas in *HQW* zones shall be limited at any time to a maximum total area of 20 acres within the boundaries of the *tract*. Only the portion of the *land-disturbing activity* within a *HQW* zone shall be governed by this section. Larger areas may be *uncovered* within the boundaries of the *tract* with the written approval of the Director upon providing engineering justification with a construction sequence that considers phasing, limiting exposure, weekly

submitted self-inspection reports, and a more conservative design that the Twenty-Five Year Storm.

- (2) Maximum Peak Rate of Runoff Protection. *Erosion* and *sedimentation* control measures, *structures*, and devices within *HQW zones* shall be planned, designed and constructed to provide protection from the runoff of the *25-year storm* which produces the maximum peak rate of runoff as calculated according to procedures in the latest edition of the United States Department of Agriculture Natural Conservation Service's "National Engineering Field Handbook" or according to procedures adopted by any other agency of this state or the United States or any generally recognized organization or association.
- (3) Sediment Basin Design. Sediment basins within *HQW zones* shall be designed and constructed according to the following or association.
 - a. use a surface withdrawal mechanism, except when the basin drainage area is less than 1.0 acre;
 - b. have a minimum of 1800 cubic feet of storage area per acre of disturbed area;
 - c. have a minimum surface area of 325 square feet per cfs of the Twenty-Five Year Storm (Q25) peak flow;
 - d. have a minimum dewatering time of 48 hours;
 - e. incorporate 3 baffles, unless the basin is less than 20 feet in length, in which case 2 baffles shall be sufficient.

Upon a written request of the applicant, the Director may allow alternative design and control measures in lieu of meeting the conditions required in subparagraphs (3)(ii) through (3)(v) of this sub-section if the applicant demonstrates that meeting all of those conditions will result in design or operational hardships and that the alternative measures will provide an equal or more effective level of erosion and sediment control on the site. Alternative measures may include quicker application of ground cover, use of sediment flocculants, and use of enhanced ground cover practices.

- (4) Grade. Newly constructed open channels in *HQW zones* shall be designed and constructed with side slopes no steeper than two (2) horizontal to one (1) vertical if a vegetative cover is used for stabilization unless soil conditions permit a steeper slope or where the slopes are stabilized by using mechanical devices, structural devices or other forms of ditch liners proven as being effective in restraining accelerated erosion. In any event, the angle for side slopes shall be sufficient to restrain *accelerated erosion*.

§42-258. Stormwater Outlet Protection

- A. Intent. Stream banks and channels downstream from any *land-disturbing activity* shall be protected from increased degradation by *accelerated erosion* caused by increased *velocity* of runoff from the *land-disturbing activity*.

B. Performance Standard. *Persons* shall conduct *land-disturbing activity* so that the post construction *velocity* of the ten (10) year storm runoff in the receiving watercourse to the *discharge point* does not exceed the greater of:

- (1) the *velocity* established by the Maximum Permissible Velocities Table set out within this subsection; or
- (2) the *velocity* of the *ten-year storm* runoff in the receiving watercourse prior to development.

If condition (1) or (2) of this Paragraph cannot be met, then the receiving watercourse to and including the *discharge point* shall be designed and constructed to withstand the expected *velocity* anywhere the *velocity* exceeds the “prior to development” *velocity* by 10 percent.

The following is a table for maximum permissible velocity for storm water discharges in feet per second (F.P.S.) and meters per second (M.P.S.):

Table 8.1. Maximum Permissible Velocities		
Material	Feet Per Second (F.P.S.)	Meters Per Second (M.P.S.)
Fine sand (noncolloidal)	2.5	0.8
Sandy loam (noncolloidal)	2.5	0.8
Silt loam (noncolloidal)	3.0	0.9
Ordinary firm loam	3.5	1.1
Fine gravel	5.0	1.5
Stiff clay (very colloidal)	5.0	1.5
Graded, loam to cobbles (noncolloidal)	5.0	1.5
Graded, silt to cobbles (colloidal)	5.5	1.7
Alluvial silts (noncolloidal)	3.5	1.1
Alluvial silts (colloidal)	5.0	1.5
Coarse gravel (noncolloidal)	6.0	1.8
Cobbles and shingles	5.5	1.7
Shales and hard pans	6.0	1.8

Source - Adapted from recommendations by Special Committee on Irrigation Research, American Society of Civil Engineers, 1926, for channels with straight alignment. For sinuous channels, multiply allowable *velocity* by 0.95 for slightly sinuous, by 0.9 for moderately sinuous channels, and by 0.8 for highly sinuous channels.

C. Acceptable Management Measures. Measures applied alone or in combination to satisfy the intent of this section are acceptable if there are no objectionable secondary consequences. The Henderson County *Soil Erosion and Sedimentation Control Administrator* recognizes that the management of *stormwater runoff* to minimize or control downstream channel and bank *erosion* is a developing technology. Innovative techniques and ideas will be considered and may be used when shown to have the potential to produce successful results. Some alternatives, while not exhaustive, are to:

- (1) Avoid increases in surface runoff volume and *velocity* by including measures to promote infiltration to compensate for increased runoff from areas rendered impervious;
- (2) Avoid increases in *stormwater* discharge velocities by using vegetated or roughened swales and waterways in place of closed drains and high *velocity* paved sections;
- (3) Provide *energy dissipators* at outlets of *storm drainage facilities* to reduce flow velocities to the point of discharge;
- (4) Protect watercourses subject to *accelerated erosion* by improving cross sections and/or providing *erosion*-resistant lining; and
- (5) Upgrade or replace the receiving device *structure* or watercourse such that it will receive and conduct the flow to a point where it is no longer subject to degradation from the increased rate of flow or increased *velocity*.

D. Exceptions. This rule shall not apply where it can be demonstrated to the Henderson County *Soil Erosion and Sedimentation Control Administrator* that *stormwater* discharge velocities will not create an *erosion* problem in the receiving watercourse.

§42-259. Borrow and Waste Areas

If the same Person conducts the land-disturbing activity and any related borrow or waste activity, the related borrow or waste activity shall constitute part of the land-disturbing activity, unless the borrow or waste activity is regulated under the Mining Act of 1971, G.S. 74, Article 7, or is a landfill regulated by the Division of Waste Management. If the land-disturbing activity and any related borrow or waste activity are not conducted by the same Person, they shall be considered by the Approving Authority as separate land-disturbing activities.

§42-260. Access and Haul Roads

Temporary access and haul *roads*, other than *public roads*, constructed or used in connection with any *land-disturbing activity* shall be considered a part of such activity.

§42-261. Operations in Lakes or Natural Watercourses

Land-disturbing activity in connection with construction in, on, over, or under a *lake or natural watercourse* shall minimize the extent and duration of disruption of the stream channel. Where relocation of a stream forms an essential part of the proposed activity, the relocation shall minimize unnecessary changes in the stream flow characteristics.

§42-262. Responsibility for Maintenance

During the development of a site, the *Person* conducting the *land-disturbing activity* shall install and maintain all temporary and permanent *erosion* and *sedimentation* control measures as required by the approved plan or any provision of this subpart, the Act. After site development, the landowner or *person* in possession or control of the land shall install and/or maintain all necessary permanent *erosion* and *sediment* control measures, except those measures installed within a *road right-of-way* or *easement* accepted for maintenance by a governmental agency.

§42-263. Additional Measures

Whenever the Henderson County *Soil Erosion and Sedimentation Control Administrator* determines that accelerated erosion and sedimentation continues despite the installation of protective practices, they shall direct the Person conducting the land-disturbing activity to take additional protective action necessary to achieve compliance with the conditions specified in the Act or its rules.

§42-264. Reserved

§42-265. Fees

- A. Henderson County may establish a fee schedule for the review and approval of Plans.
- B. In establishing the fee schedule, the County shall consider the administrative and personnel costs incurred for reviewing the Erosion and Sedimentation Control Plans and for related compliance activities.
- C. The fee shall be calculated on the basis of either the number of acres disturbed or in the case of a single-family lot in a residential development or common plan of development that is less than one acre set at no more than one hundred dollars (\$100.00) per lot developed.

§42-266. Plan Appeals

- A. Except as provided in §42-266 (Plan Appeals) B of this subpart, the *appeal* of a disapproval or approval with modifications of a Plan shall governed by the following provisions:
 - (1) The disapproval or modification of any proposed Plan by the Henderson County *Soil Erosion and Sedimentation Control Administrator* shall entitle the *Person* submitting the Plan to a public hearing if such *Person* submits written demand for a hearing within 15 days after receipt of written notice of disapproval or modifications.
 - (2) A hearing held pursuant to this section shall be conducted by the Henderson County Zoning Board of Adjustment (*ZBA*) within 60 days after the date of the *appeal* or request for a hearing.
 - (3) The *ZBA* will render its final decision on any *appeal* within 45 days of the completion of the hearing.
 - (4) If the *ZBA* upholds the disapproval or modification of a proposed Plan following the hearing, the *Person* submitting the Erosion and Sedimentation Control Plan shall then be entitled to appeal the Commission as provided in G.S. 113A-61(c) and 15A NCAC 4B.0118(d).
- B. In the event that a Plan is disapproved pursuant to §42-255 (Erosion and Sedimentation Control Plans) J of this subpart, the *applicant* may *appeal* the Henderson County *Board of Adjustment's* disapproval of the Plan directly to the Commission.

§42-267. Inspections and Investigations

- A. Inspection. Agents, officials, or other qualified *persons* authorized by the Henderson County *Soil Erosion and Sedimentation Control Administrator* will periodically inspect *land-disturbing activities* to ensure compliance with the Act, this subpart, or rules or

orders adopted or issued pursuant to this subpart, and to determine whether the measures required in the Plan are effective in controlling *erosion* and *sedimentation* resulting from *land-disturbing activity*. Notice of the right to inspect shall be included in the certificate of approval of each Plan.

- B. Willful Resistance, Delay or Obstruction. No *person* shall willfully resist, delay, or obstruct an authorized representative, employee, or agent of the County, while that *person* is inspecting or attempting to inspect a *land-disturbing activity* under this section.
- C. Notice of Violation. If the Henderson County *Soil Erosion and Sedimentation Control Administrator* determines that a *Person* engaged in *land-disturbing activity* has failed to comply with the Act, this subpart, or rules, or orders adopted or issued pursuant to this subpart, a notice of *violation* shall be served upon that *Person*. The notice may be served by any means authorized under NCGS 1A-1, Rule 4 upon the *Person* conducting the *land-disturbing activity* and, if different from that party, the property owner. The notice shall specify a date, by which the *Person* must comply with the Act, or this subpart, or rules, or orders adopted pursuant to this subpart, and inform the *Person* of the actions that need to be taken to comply with the Act, this subpart, or rules or orders adopted pursuant to this subpart. Any *Person* who fails to comply within the time specified is subject to additional civil and criminal penalties for a continuing *violation* as provided in NCGS §113A-64 and this subpart. If the *Person* engaged in the *land-disturbing activity* has not received a previous notice of violation under this section, the (city)(town)(county) shall offer assistance in developing corrective measures. Assistance may be provided by referral to a technical assistance program on behalf of the Approving Authority, referral to a cooperative extension program, or by the provision of written materials such as Department guidance documents. The notice of violation may be served in the manner prescribed for service of process by G.S. 1A-1, Rule 4, and shall include information on how to obtain assistance in developing corrective measures.
- D. Investigation. The Henderson County *Soil Erosion and Sedimentation Control Administrator* shall have the power to conduct such investigation as it may reasonably deem necessary to carry out its duties as prescribed in this subpart, and who presents appropriate credentials for this purpose to enter at reasonable times any property, public or private, for the purpose of investigating and inspecting the sites of any *land-disturbing activity*.
- E. Statements and Reports. The Henderson County *Soil Erosion and Sedimentation Control Administrator* shall also have the power to require written statements, or filing of reports under oath, with respect to pertinent questions relating to *land-disturbing activity*.

§42-268. Penalties

A. Civil Penalties

- (1) Civil Penalty for a Violation. Any *Person* who violates any of the provisions of this subpart, or rule or order adopted or issued pursuant to this subpart, or who initiates or continues a *land-disturbing activity* for which a Plan is required except in accordance with the terms, conditions, and provisions of an approved Plan, is subject to a civil penalty. The maximum civil penalty amount that the Henderson County *Soil Erosion and Sedimentation Control Administrator* may assess per

violation is 5,000 dollars. A civil penalty may be assessed from the date of the *violation*. Each day of a continuing *violation* shall constitute a separate *violation*. When the *Person* has not been assessed any civil penalty under this subsection for any previous violation, and that *Person* abated continuing environmental damage resulting from the violation within 180 days from the date of the notice of violation, the maximum cumulative total civil penalty assessed under this subsection for all violations associated with the land-disturbing activity for which the erosion and sedimentation control plan is required is twenty-five thousand dollars (\$25,000).]

- (2) Damage or Destruction of a silt fence occurring during land-disturbance activities or construction on a development project shall not be assessed a civil penalty provided that the silt fence is repaired or replaced within the compliance period/deadline noted in the inspection report or notice of violation. This will ensure violators have an opportunity to correct these violations. G.S. §113A-61.1(d) does not apply to off-site sediment that occurs due to the silt fence not being in place, but merely damage to the silt fence itself.
- (3) Civil Penalty Assessment Factors. The Henderson County *Soil Erosion and Sedimentation Control Administrator* shall determine the amount of the civil penalty based upon the following factors:
 - a. the degree and extent of harm caused by the *violation*,
 - b. the cost of rectifying the damage,
 - c. the amount of money the violator saved by noncompliance,
 - d. whether the *violation* was committed willfully, and
 - e. the prior record of the violator in complying or failing to comply with this subpart.

Notice of Civil Penalty Assessment. The Henderson County *Soil Erosion and Sedimentation Control Administrator* shall provide notice of the civil penalty amount and basis for assessment to the *Person* assessed. The notice of assessment shall be served by any means authorized under G.S. 1A-1, Rule 4. A notice of assessment by the Henderson County *Soil Erosion and Sedimentation Control Administrator* shall direct the violator to either pay the assessment, contest the assessment within 30 days by filing a petition for hearing with the Henderson County *Zoning Board of Adjustment*, or file a request with the Henderson County *Board of Commissioners* for remission of the assessment within 30 days of receipt of the notice of assessment. A remission request must be accompanied by a waiver of the right to a contested case hearing pursuant to Chapter 150B of the North Carolina General Statutes and a stipulation of the facts on which the assessment was based.

- (4) Final Decision. The final decision on contested assessments shall be made by the Henderson County *Zoning Board of Adjustment* within 45 days of receipt of the assessment.
- (5) Appeal of Final Decision. Appeal from the final decision of the Henderson County *Board of Adjustment* shall be to the Superior Court of the county, where

the violation occurred. Such appeals must be made within 30 days of the final decision of the Henderson County Zoning Board of Adjustment.

- (6) Remission of Civil Penalties. A request for remission of a civil penalty imposed under G.S. 113A-64 may be filed with the Henderson County Board of Commissioners within 30 days of receipt of the notice of assessment. A remission request must be accompanied by a waiver of the right to a contested case hearing pursuant to Chapter 150B of the General Statutes and a stipulation of the facts on which the assessment was based. The following factors shall be considered in determining whether a civil penalty remission request will be approved:
- a. Whether one or more of the civil penalty assessment factors in G.S. 113A-64(a)(3) were wrongly applied to the detriment of the petitioner.
 - b. Whether the petitioner promptly abated continuing environmental damage resulting from the violation.
 - c. Whether the violation was inadvertent or a result of an accident.
 - d. Whether the petitioner had been assessed civil penalties for any previous violations.
 - e. Whether payment of the civil penalty will prevent payment for necessary remedial actions or would otherwise create a significant financial hardship.
 - f. The assessed property tax valuation of the petitioner's property upon which the violation occurred, excluding the value of any structures located on the property.
- (7) Collection. If payment is not received within 30 days after it is due, Henderson County may institute a civil action to recover the amount of the assessment. The civil action may be brought in the Superior Court of the county where the *violation* occurred, or the violator's residence or where the violator's principal place of business is located. Such civil actions must be filed within three (3) years of the date the assessment was due. An assessment that is not contested is due when the violator is served with a notice of assessment. An assessment that is contested is due at the conclusion of the administrative and judicial review of the assessment.
- (8) Credit of Civil Penalties. Civil penalties collected pursuant to this subpart shall be credited to the Civil Penalty and Forfeiture Fund. Penalties collected by Henderson County may be diminished only by the actual costs of collection. The collection cost percentage to be used shall be established and approved by the North Carolina Office of State Budget and Management on an annual basis, based upon the computation of actual collection costs by Henderson County for the prior fiscal year.
- [In any event, the cost percentage shall not exceed twenty percent (20%) of penalties collected.]
- B. Criminal Penalties. Any *Person* who knowingly or willfully violates any provision of this subpart, or rule or order adopted or issued by the *Commission* or a local government, or who knowingly or willfully initiates or continues a *land-disturbing activity* for which a Plan is required except in accordance with the terms, conditions, and provisions of an

approved Erosion and Sedimentation Control Plan, shall be guilty of a Class 2 misdemeanor which may include a fine not to exceed 5,000 dollars as provided in *NCGS* §113A-64.

§42-269. Injunctive Relief

- A. Violation of Local Program. Whenever Henderson County has reasonable cause to believe that any *person* is violating or threatening to violate any subpart, rule, regulation or order adopted or issued by Henderson County, or any term, condition, or provision of an approved Erosion and Sedimentation Control Plan, it may, either before or after the institution of any other action or proceeding authorized by this subpart, institute a civil action in the name of the County, for injunctive relief to restrain the *violation* or threatened *violation*. The action shall be brought in the superior court of the county in which the *violation* is occurring or is threatened.
- B. Abatement of Violation. Upon *determination* by a court that an alleged *violation* is occurring or is threatened, the court shall enter any order or judgment that is necessary to abate the *violation*, to ensure that restoration is performed, or to prevent the threatened *violation*. The institution of an action for injunctive relief under this section shall not relieve any party to the proceedings from any civil or criminal penalty prescribed for *violations* of this subpart.

§42-270. Restoration After Non-Compliance

The Henderson County *Soil Erosion and Sedimentation Control Administrator* may require a *Person* who engaged in a *land-disturbing activity* and failed to retain *sediment* generated by the activity, as required by G.S. §113A-57 (3), to restore the waters and land affected by the failure so as to minimize the detrimental effects of the resulting pollution by *sedimentation*. This authority is in addition to any other civil or criminal penalty or injunctive relief authorized under this subpart.

§42-271. Severability

If any section or sections of this subpart is/are held to be invalid or unenforceable, all other sections shall nevertheless continue in full force and effect.

§42-272. Effective Date

This subpart becomes effective on October 1, 2007.

§42-273. Reserved

§42-274. Reserved

§42-275. Reserved

§42-276. Reserved

§42-277. Reserved

§42-278. Reserved

§42-279. Reserved

§42-280. Reserved

- §42-281. Reserved
- §42-282. Reserved
- §42-283. Reserved
- §42-284. Reserved
- §42-285. Reserved
- §42-286. Reserved
- §42-287. Reserved
- §42-288. Reserved
- §42-289. Reserved
- §42-290. Reserved
- §42-291. Reserved
- §42-292. Reserved

August 5, 2024

August 5, 2024

August 5, 2024

ARTICLE IX NONCONFORMITIES

§42-293. General

The purpose of this Article is to establish regulations which govern *uses, structures, lots* and other circumstances which came into being lawfully, but that do not conform to one or more requirements of this Chapter. Such nonconformities could have been created by the adoption of this Chapter, prior adoption of other ordinances carried forth in this Chapter, or change in the classification of property or change in the text of this Chapter. Any *nonconforming use, structure or lot* which lawfully existed as of the effective date of this Chapter and that remains *nonconforming* may be continued only in accordance with the terms of this Article. Any *use, structure or lot* which has become *nonconforming* as a result of the adoption of this Chapter or any subsequent amendment to the text of this Chapter or Official Zoning Map, may be continued or maintained only in accordance with the terms of this Article. As used in this Article the term, "effective date of this Chapter, or any amendment thereto," refers to the date of the Chapter/Ordinance which first rendered a *use, structure or lot nonconforming*.

§42-294. Nonconforming Lots

- A. Improvement, Alteration, Expansion or Erection of a Structure on a Nonconforming Lot. Any improvement, alteration, expansion or erection of a *structure* on a *nonconforming lot* shall comply with all other minimum requirements of this Chapter for the *structure/use* or a *variance* from these requirements must be obtained.
- B. Maintenance, Required Alteration or Remodeling of a Structure on a Nonconforming Lot. Maintenance, alteration or remodeling of *structures*, as required by any public law and so ordered by a public officer in authority, shall be permitted. Routine maintenance shall be permitted where no expansion of nonconformity occurs as a result of the maintenance.
- C. Combining and Recombining Lots. Any *nonconforming lot* which adjoins one or more other *lots* in the same ownership should be combined or recombined as possible to form a conforming *lot* or *lots*.
- D. Water Supply Watershed Requirements. A *nonconforming lot* shall not be subject to the development restrictions of Article VIII Subpart B (Water Quality) subparts related thereto where developed for single-family residential purposes.

§42-295. Nonconforming Structures

- A. Improvement, Alteration or Expansion of a Structure. A legally established *nonconforming structure* shall be permitted provided that the *nonconforming structure* shall not be improved, altered or expanded except to meet safety requirements or conform to the requirements of this Chapter. Where the improvement or expansion is to a residential *structure*, such improvement or expansion may occur provided that no additional *dwelling units* result, and that the improvement or expansion complies with the requirements for residential *structures* of the applicable district.

- B. Maintenance, Alteration or Remodeling of a Structure. Maintenance, alteration or remodeling of a *structure*, as required by any public law and so ordered by a public officer in authority, shall be permitted. Routine maintenance shall be permitted where no expansion of the nonconformity occurs as a result of the maintenance.
- C. Repair/Reconstruction of Damaged Structure (Other than Signs). Where a *nonconforming structure* has been damaged by fire, wind, flood or other natural causes, it may be repaired/reconstructed provided that repairs/reconstruction are:
 - (1) Initiated within six (6) months and completed within one (1) year of the damage (An extension (for a period of up to 12 months) may be granted by the *Zoning Administrator* provided he/she determines that the *structure* does not pose a public health and safety risk).
 - (2) Not resulting in any increase in structural dimension except as otherwise permitted in this Article;
 - (3) Not resulting in any change in location of the *structures* except to provide greater conformance with the requirements of this Chapter; and,
 - (4) Made where damage is not substantial (see definition of *Substantial Damage*).

Where *substantial damage* occurs, the *structure* shall not be repaired/reconstructed except in conformity with the provisions of this Chapter.

- D. Repair/Reconstruction of Damaged Structure (Signs). Where a *nonconforming sign* has been damaged, it may be repaired/reconstructed and used as before, provided that repairs/reconstruction are initiated within 60 days and completed within 180 days of such damage.

§42-296. Nonconforming Structures Containing Nonconforming Uses

- A. Improvement or Alteration of a Structure. Where a *nonconforming structure* contains a *nonconforming use*, no improvement or alteration of the *nonconforming structure* is permitted except where such improvement or alteration:
 - (1) Does not result in an expansion/enlargement of the *structure*;
 - (2) Is required by law or order from the *Zoning Administrator*, Building Inspector or Fire Marshal to ensure safety of the *structure*; or
 - (3) Is on a residential *structure* (where such alteration may occur provided that no additional *dwelling units* result, and that the alteration complies with the requirements for residential *structures* of the applicable district).
- B. Nonconforming Use. Standards for *nonconforming uses* shall also apply (see §42-297 (Nonconforming Uses)).
- C. Enlargement or Expansion of a Use. A *nonconforming use* of a *structure* may be enlarged or expanded only into portions of the *structure* which existed at the time the *use* became *nonconforming*.

§42-297. Nonconforming Uses

A. Nonconforming Uses (General).

(1) Changed to Conforming Use. A *nonconforming use* may only be changed to a conforming *use*, and thereafter may not be used for any *nonconforming use*.

(2) Presumption of Discontinuance. A *nonconforming use* shall be presumed discontinued when:

- a. The *owner* has indicated, in writing or by public statement, intent to abandon the *use*;
- b. A conforming *use* has replaced the prior *nonconforming use*;
- c. The *structure* containing the *nonconforming use* has been removed;
- d. The *owner* has physically changed the *structure* or its permanent equipment in such a way as to clearly indicate a change resulting in something other than the *nonconforming use*;
- e. The property and/or *structure* has been vacant for six (6) months as determined by the *Zoning Administrator*; or
- f. The *use* has been completely inactive for six (6) months as determined by the *Zoning Administrator*.

(3) Overcoming Presumption of Abandonment. A *nonconforming use* contained in a *structure*, based solely on the length of time the *use* of a *structure* has remained vacant or inactive (see §42-297 (Nonconforming Uses) subsection A(2)e and/or A(2)f), may be rebutted and overcome upon a showing, to the satisfaction of the *Zoning Administrator*, that during such period the *owner* of the land has:

- a. Been maintaining the land and *structure* in accordance with the North Carolina State Building Code; and
- b. Either:
 - 1. Been actively and continuously marketing the land or *structure* for sale or lease or has been making necessary improvements in order to continue the *use*.
 - 2. Been operating a seasonal business on the land and/or in the *structure* for a similar period of time each year since the *use* lawfully came into existence.

B. Nonconforming Outside/Outdoor Uses.

(1) Enlargement or Expansion of a Use. A *nonconforming outside/outdoor use* shall not be enlarged or expanded to cover more of the *lot* than was occupied by that *use* when it became *nonconforming*.

C. Nonconforming Manufactured/Mobile Home Used for Residence.

(1) Enlargement of a Use. A *nonconforming manufactured/mobile home* may be enlarged provided the enlargement does not result in new nonconformities.

- (2) Replacement of a Use. A *nonconforming manufactured/mobile home* may be replaced with a similarly sized/larger *manufactured/mobile home* provided the replacement adheres to the standards of this Chapter (including aesthetic standards). The replacement home shall not result in new nonconformities and shall take place within 180 days of removal of the initial *manufactured/mobile home* (see §42-62 (Supplemental Requirements) S.R. 1.4. (*Dwelling, Manufactured/Mobile Home*) regarding standards).

D. Nonconforming Manufactured Home Park.

- (1) Enlargement or Expansion of a Use. A *nonconforming manufactured home park* may be enlarged or expanded provided that any such enlargement/expansion shall be in accordance with the requirements of this Chapter (see §42-62 (Supplemental Requirements) SR 1.11 (*Manufactured Home Park*)).

§42-298. Nonconforming Commercial and Industrial Uses/Structures within the former Open Use (OU) Zoning District

- A. Maintenance, Improvement, Alteration, Expansion, Remodeling, Repair and Reconstruction. Commercial and industrial *uses/structures* legally established in the former Open Use zoning district and made *nonconforming* by the adoption of this Chapter and its associated *zoning map* shall be allowed to be maintained, improved, altered, expanded, remodeled, repaired and/or reconstructed in adherence with the dimensional requirements and *setbacks* of the current applicable district. *Uses/structures* established in the former Open Use zoning district by the issuance of a *Special Use Permit* and made *nonconforming* by the adoption of this Chapter and its associated *zoning map* may be allowed to be expanded or reconstructed only with the amendment of the *Special Use Permit* or issuance of a new *Special Use Permit* unless the *use/structure* is allowed by right in the current applicable district. The procedures set forth in §42-355 (*Special Use Permits*) shall govern the amendment or issuance of any *Special Use Permit*.
- B. Discontinuance of Nonconforming Use. Standards found in §42-297 (Nonconforming Uses) shall apply.

§42-299. Exemptions and Modifications from Regulations

- A. **Reduction of Front Yard Setbacks.** The required *front yard setbacks* applied to any *lot* shall be reduced by the *Zoning Administrator*, at the request of the *applicant*, to the average *front yard setback* of lots which are: (1) located wholly or in part within 100 feet of the *lot*, (2) within the same block and zoning district as the *lot*, and (3) fronting on the same side of the *road* as the *lot*.

§42-300. Reserved

§42-301. Reserved

August 5, 2024

August 5, 2024

ARTICLE X

DECISION-MAKING, ADMINISTRATIVE AND ADVISORY BODIES

§42-302. Henderson County Board of Commissioners

- A. Powers and Duties Pursuant to This Chapter. Without limiting any authority granted to the Henderson County Board of Commissioners by law or by regulations, The Board of Commissioners shall have the following powers and duties with respect to this Chapter, to be carried out in accordance with the terms of this Chapter:
- (1) Land Use Plans. To adopt a *Comprehensive Plan* and other land use plans for the County and to amend such plans as appropriate.
 - (2) Administrative Amendments. To initiate *administrative amendments* to the *Comprehensive Plan* by submittal to the *Planning Director*; and to adopt *administrative amendments* proposed by any individual or agency as appropriate.
 - (3) Substantive Amendments. To initiate *substantive amendments* to the *Comprehensive Plan*; and to adopt *substantive amendments* proposed by any individual or agency as appropriate and following review by the Planning Board.
 - (4) Text Amendments. To initiate *text amendments* to this Chapter by adopted motion and submittal to the *Planning Director*; and to adopt any *text amendment* proposed by any individual or agency as appropriate.
 - (5) Map Amendments. To initiate *map amendments* to the Official Zoning Map by adoption of a motion; and to adopt any *map amendment* proposed by any individual or agency as appropriate.
 - (6) Plan Review. To approve, approve conditionally or deny any plan for a *subdivision* for which it is the reviewing agency and any plan referred to it by another reviewing agency.
 - (7) Water Supply Watershed Regulation Text and Map Amendments. To initiate *text amendments* related to the *water supply watershed* regulations of this Chapter; to initiate *map amendments* related to the *water supply watershed* on the Official Zoning Map; and to adopt any text or *map amendment* related to the *water supply watershed* as appropriate.
 - (8) Special Fill Permits. To grant *special fill permits* as authorized by this Chapter.
 - (9) Fees. To establish fees for permits and approvals related to the administration of this Chapter.
 - (10) Additional Powers and Duties. Such additional powers and duties as may be set forth for the Board of Commissioners elsewhere in this Chapter and in other laws and regulations.

§42-303. Henderson County Planning Board

- A. Powers and Duties Pursuant to This Chapter. Without limiting any authority granted to the Henderson County Planning Board by law or by regulations, the Planning Board shall

have the following powers and duties with respect to this Chapter, to be carried out in accordance with the terms of this Chapter:

- (1) Studies and Surveys. To perform studies and surveys of the present conditions and probable future development of the County and its environs.
 - (2) Administrative Amendments. To initiate *administrative amendments* to the *Comprehensive Plan* by adopted motion and submittal to the *Planning Director*.
 - (3) Substantive Amendments. To initiate and review *substantive amendments* to the *Comprehensive Plan* and make recommendations to the Board of Commissioners for final action thereon.
 - (4) Text Amendments. To initiate *text amendments* to this Chapter by adopted motion and submittal to the *Planning Director*; and to review any proposed *text amendment* and make recommendations to the Board of Commissioners for final action thereon.
 - (5) Map Amendments. To initiate *map amendments* to the Official Zoning Map by adopted motion; and to review any proposed *map amendment* and make recommendations to the Board of Commissioners for final action thereon.
 - (6) Plan Review. To approve, approve conditionally or deny any plan for a *subdivision* for which it is the reviewing agency and any plan referred to it by another reviewing agency.
 - (7) Special Fill Permits. To review *special fill permit* applications and make recommendations to the Flood Damage Prevention Board for final action thereon.
 - (8) Additional Powers and Duties. Such additional powers and duties as may be set forth for the Planning Board elsewhere in this Chapter and in other laws and regulations.
- B. Membership. Nine (9) members appointed by the Board of Commissioners.
- C. Terms. Overlapping terms of three (3) years.
- D. Vacancies. Any vacancy shall be filled for the unexpired term in the same manner as the initial appointment.
- E. Officers. The Planning Board shall elect a Chair and Vice-Chair from its members, who shall serve for one (1) year or until reelected or until their successors are elected. The Planning Board shall appoint a secretary who may be a County officer, an employee of the County or a member of the Zoning Board of Adjustment.
- F. Rules. The Planning Board shall adopt rules and bylaws in accordance with the provisions of this Chapter, *NCGS §160D-301* and the *Henderson County Planning Board Rules of Procedure*.
- G. Meetings. Meetings of the Planning Board shall be held at the call of the Chair (or in his/her absence, the Vice-Chair), or the *Planning Director* and at such other times as the Planning Board may determine. The Chair (or in his/her absence, the Vice-Chair) may administer oaths and compel the attendance of witnesses by subpoena. All meetings or hearings of the Planning Board shall be open to the public.

- H. Records. The Planning Board shall keep minutes of its proceedings, showing the vote of each member upon each question, or if absent or failing to vote, indicating that fact.

§42-304. Henderson County Zoning Board of Adjustment

- A. Powers and Duties Pursuant to This Chapter. Without limiting any authority granted to the Zoning Board of Adjustment by law or by regulations, the Zoning Board of Adjustment shall have the following powers and duties with respect to this Chapter, to be carried out in accordance with the terms of this Chapter:
- (1) Text Amendments. To initiate *text amendments* to this Chapter by adopted motion and submittal to the *Planning Director*.
 - (2) Map Amendments. To initiate *map amendments* to the Official Zoning Map by adopted motion.
 - (3) Flood Damage Prevention Board. To serve as the Flood Damage Prevention Board.
 - (4) Water Quality Board. To serve as the Water Quality Board.
 - (5) Administrative Review. To hear and decide *appeals* where it is alleged there is error in an order, requirement, decision, *determination* or interpretation made by an Administrator in the enforcement of this Chapter.
 - (6) Communication Facility Permits. To review and approve the granting of a *communication facility permit* by the *Communication Facilities Administrator* for any *category three (3) communication facility*;
 - (7) *Special Use Permits*. To grant *Special Use Permits* as authorized by this Chapter;
 - (8) Temporary Use Permits. To grant *temporary use* permits referred by the *Zoning Administrator* and as authorized by this Chapter.
 - (9) Variances. To hear and decide applications for approval of zoning variances from the terms of this Chapter, in accordance with the procedures and standards set forth in §42-366 (Variances).
 - (10) Vested Rights. To grant vested rights as authorized by this Chapter.
 - (11) Additional Powers and Duties. Such additional powers and duties as may be set forth for the Zoning Board of Adjustment elsewhere in this Article and in other laws and regulations.
- B. Membership. Five (5) regular members and five (5) alternate members appointed by the Board of Commissioners. Members shall be citizens of Henderson County and shall serve without pay. Alternative members may serve on individual matters based on a regular member's temporary disqualification. Vacant seats and disqualified members are not considered in calculating a 4/5 vote or majority vote if there are no qualified alternates.
- C. Terms. Overlapping terms of three (3) years.
- D. Vacancies. Any vacancy shall be filled for the unexpired term in the same manner as the initial appointment.

- E. Officers. The Zoning Board of Adjustment shall elect a Chair and Vice-Chair from its members, who shall serve for one (1) year or until reelected or until their successors are elected. The Zoning Board of Adjustment shall appoint a secretary, who may be a County officer, an employee of the County or a member of the Zoning Board of Adjustment.
- F. Rules. The Zoning Board of Adjustment shall adopt rules and bylaws in accordance with the provisions of this Chapter, *NCGS §160D-302* and the *Zoning Board of Adjustment Rules of Procedure*.
- G. Meetings. Meetings of the Zoning Board of Adjustment shall be held at the call of the Chair (or in his/her absence, the Vice-Chair) and at such other times as the Zoning Board of Adjustment may determine. The Chair (or in his/her absence, the Vice-Chair) may administer oaths and compel the attendance of witnesses by subpoena. All meetings or hearings of the Zoning Board of Adjustment shall be open to the public.
- H. Decisions. The concurring vote of at least four of the five members (or four-fifths (4/5)) of the panel of the Zoning Board of Adjustment (ZBA) hearing the matter shall be necessary to grant a variance. A majority of the panel of ZBA shall be required to decide any other quasi-judicial matter which it is required to pass under this Chapter. On all *appeals*, applications and other matters brought before the ZBA, said Board shall inform those making *appeal* or application of its decisions and the reasons therefore. Such notification shall be in writing.
- I. Records. The Zoning Board of Adjustment shall keep minutes of its proceedings, showing the vote of each member upon each question, or if absent or failing to vote, indicating that fact. Final disposition of *appeals* shall be by order indicating the reasons of the Zoning Board of Adjustment therefore, all of which shall be a public record.

§42-305. Henderson County Water Quality Board

- A. Powers and Duties Pursuant to This Chapter. Without limiting any authority granted to the Water Quality Board by law or by regulations, the Water Quality Board shall have the following powers and duties with respect to this Chapter, to be carried out in accordance with the terms of this Chapter:
 - (1) Text Amendments. To initiate *text amendments* to this Chapter by adopted motion and submittal to the *Planning Director*.
 - (2) Map Amendments. To initiate *map amendments* to the Official Zoning Map by adopted motion.
 - (3) Watershed Map Review. To interpret the official *watershed* maps and pass decisions upon disputed questions of *lot* lines or district boundary lines.
 - (4) Administrative Review. To hear and decide *appeals* from any decision or *determination* made by the *Water Quality Administrator* in the enforcement of any sections of this Chapter which relate to *water supply watershed* protection and *stormwater* management.
 - (5) Stormwater Management Permits. To grant *stormwater* management permits as authorized by this Chapter.

- (6) Water Supply Watershed Use Permits. To grant *water supply watershed use* permits as authorized by this Chapter.
 - (7) Watershed Protection Compliance Permits. To grant *watershed* protection compliance permits as authorized by this Chapter.
 - (8) Watershed High-Density Development Permits. To grant *watershed* high-density development permits as authorized by this Chapter.
 - (9) Variances. To grant, in specific cases, *Watershed Local Variances* from the terms of this Chapter which relate to *water supply watershed* protection.
 - (10) Additional Powers and Duties. Such additional powers and duties as may be set forth for the Water Quality Board elsewhere in this Chapter and in other laws and regulations.
- B. Membership. The Zoning Board of Adjustment shall serve as the Water Quality Board.
- C. Rules. The Water Quality Board shall carry out all powers and duties stated in the rules of procedure adopted by the Board of Commissioners for the Water Quality Board. Any changes (other than to the meeting time and place) to such rules of procedure must be approved by the Board of Commissioners.
- D. Meetings. All meetings or hearings of the Water Quality Board shall be open to the public.
- E. Decisions. The concurring vote of the majority of the members of the Water Quality Board shall be necessary to reverse any order, requirement or decision of the *Water Quality Administrator*. The same majority vote shall be necessary to decide in favor of the *applicant* on any matter upon which the Water Quality Board is required to pass under any sections of this Chapter which relate to *water supply watershed* protection or to affect any variation of those sections of this Chapter which relate to *water supply watershed* protection. On all *appeals*, applications and other matters brought before the Water Quality Board, said board shall inform in writing all parties involved of its decisions and the reasons therefore.
- F. Records. The Water Quality Board shall keep minutes of its proceedings, showing the vote of each member upon each question, or if absent or failing to vote, indicating that fact. Final disposition of *appeals* shall be by recorded order indicating the reasons of the Water Quality Board therefore, all of which shall be public record.

§42-306. Henderson County Flood Damage Prevention Board

- A. Powers and Duties Pursuant to This Chapter. Without limiting any authority granted to the Flood Damage Prevention Board by law or by regulations, the Flood Damage Prevention Board shall have the following powers and duties with respect to this Chapter, to be carried out in accordance with the terms of this Chapter:
- (1) Administrative Review. To hear and decide *appeals* from any decision or *determination* made by the *Floodplain Administrator* in the enforcement of any sections of this Chapter which relate to flood damage prevention.
 - (2) Text Amendments. To initiate *text amendments* to this Chapter by adopted motion and submittal to the *Planning Director*.

- (3) Map Amendments. To initiate *map amendments* to the Official Zoning Map by adopted motion..
 - (4) Variances. To grant, in specific cases, *variances* from the terms of any sections of this Chapter which relate to flood damage prevention.
 - (5) Additional Powers and Duties. Such additional powers and duties as may be set forth for the Flood Damage Prevention Board elsewhere in this Chapter and in other laws and regulations.
- B. Membership. Zoning Board of Adjustment shall serve as the Flood Damage Prevention Board.
 - C. Rules. The Flood Damage Prevention Board shall carry out all powers and duties stated in the rules of procedure adopted by the Board of Commissioners for the Flood Damage Prevention Board. Any changes other than to the meeting time and place to such rules of procedure must be approved by the Board of Commissioners.
 - D. Meetings. All meetings or hearings of the Flood Damage Prevention Board shall be open to the public.
 - E. Decisions. The concurring vote of the majority of the members of the Flood Damage Prevention Board shall be necessary to reverse any order, requirement or decision of the *Floodplain Administrator*. The same majority vote shall be necessary to decide in favor of the *applicant* on any matter upon which the Flood Damage Prevention Board is required to pass under any sections of this Chapter which relate to flood damage prevention or to affect any variation of any sections of this Chapter which relate to flood damage prevention. On all *appeals*, applications and other matters brought before the Flood Damage Prevention Board, said board shall inform in writing all parties involved of its decisions and the reasons therefore.
 - F. Records. The Flood Damage Prevention Board shall keep minutes of its proceedings, showing the vote of each member upon each question, or if absent or failing to vote, indicating that fact. Final disposition of *appeals* shall be by order indicating the reasons of the Flood Damage Prevention Board therefore, all of which shall be public record.

§42-307. Henderson County Technical Review Committee

- A. Established. A Technical Review Committee is hereby established pursuant to *NCGS §160D-961*.
- B. Powers and Duties Pursuant to This Chapter. Without limiting any authority granted to the Technical Review Committee by law or by regulations, the Technical Review Committee shall have the following powers and duties with respect to this Chapter, to be carried out in accordance with the terms of this Chapter:
 - (1) Manufactured Home Park Site Plan Review. To approve, approve conditionally or deny all *manufactured home park site plans*.
 - (2) Site Plan Review. To approve, approve conditionally or deny all major *site plans*.
 - (3) Plan Review. To approve, approve conditionally or deny any plan for a *subdivision* for which it is the reviewing agency; and to review and make recommendations to the Planning Board on any plan for a *subdivision* for which

the Planning Board is the reviewing agency. The Technical Review Committee shall reserve the right to refer any *subdivision* to the Planning Board for approval.

- (4) Text Amendments. To review *text amendments* to this Chapter and make recommendations to the Planning Board for recommendation thereon.
 - (5) Map Amendments. To review *map amendments* to the Official Zoning Map and to make recommendations to the Planning Board for recommendation thereon.
 - (6) Technical Review. To provide for a continuing, coordinated and comprehensive review of the technical aspects of this Chapter.
 - (7) *Special Use Permits*. To review *Special Use Permit* applications and make recommendations to the Zoning Board of Adjustment for final action thereon.
 - (8) Additional Powers and Duties. Such additional powers and duties as may be set forth for the Henderson County Technical Review Committee elsewhere in this Chapter and in other laws and regulations.
- C. Membership. The Technical Review Committee may consist of up to seven (7) regular members. Department heads, or their designated representative(s), from the following County offices shall be appointed as regular members of the Technical Review Committee: Building Inspections, Environmental Health, Fire Marshal, Planning, Engineering, Soil Erosion and Sedimentation Control/*Stormwater* and Zoning. The Board of Commissioners may choose to appoint an ex officio member to the Technical Review Committee as a citizen representative. The Technical Review Committee also may request, at the discretion of the Chair, participation from the following department heads and staff, or their designated representatives: County Attorney, EMS Director, Henderson County School Superintendent, *NCDOT* Representative, Parks and Recreation Director, Sheriff, Soil and Water Conservationist, Utilities Provider Representative, and/or other department heads/staff/representatives.
- D. Officers. The *Planning Director* shall chair the Technical Review Committee. The Chair shall be in charge of all proceedings before the *TRC* and shall take such action as shall be necessary to procure order and the integrity of these proceedings.
- E. Rules. The Technical Review Committee shall adopt rules and regulations governing procedure, as necessary or advisable, and in accordance with the provisions of this Chapter and of *NCGS* §160D-961.
- F. Decisions. The Technical Review Committee may approve, approve conditionally or deny any application in accordance with this Chapter. On all applications brought before the Technical Review Committee, said Committee shall inform those making application of its decisions and recommendations and the reasons therefore. Such notification shall be in writing.
- G. Records. The Technical Review Committee shall keep record of its proceedings including written comments issued to *applicants* by permanent and advisory members.

§42-308. Henderson County Zoning Administrator

A. Powers and Duties Pursuant to This Chapter. The *Zoning Administrator* shall have the following duties with respect to this Chapter, to be carried out in accordance with the terms of this Chapter:

- (1) Interpretation. To interpret the terms and provisions of this Chapter.
- (2) Enforcement. To enforce the provisions of this Chapter related to zoning regulations including properly investigating complaints from *persons* who allege that *violations* of this Chapter have occurred and initiating appropriate action as necessary to prevent, enjoin, abate or remove any *violations* found. The *Zoning Administrator*, or his/her duly authorized representative, may enter any *building, structure* or premises, as provided by law, to perform any duty imposed upon him/her by this Chapter.
- (3) Staff Support. To provide staff support to the Zoning Board of Adjustment.
- (4) Membership on the Technical Review Committee. To serve as a member of the Technical Review Committee.
- (5) Communication Facilities Administrator. To serve as the *Communication Facilities Administrator*.
- (6) Manufactured Home Park Administrator. To serve as the *Manufactured Home Park Administrator*.
- (7) Site Plan Review. To approve, approve conditionally or deny all minor *site plans*;
- (8) Text Amendments. To initiate *text amendments* to this Chapter by submittal to the *Planning Director*.
- (9) Map Amendments. To initiate *map amendments* to the Official Zoning Map.
- (10) Sign Permits. To grant *sign* permits as authorized by this Chapter.
- (11) Temporary Use Permits. To grant *temporary use* permits, administer the provisions of this Chapter related to *temporary use* permits and, at the discretion of the *Zoning Administrator*, refer applications for *temporary use* permits to the Zoning Board of Adjustment for approval.
- (12) Zoning Permits. To grant *zoning permits* as authorized by this Chapter.
- (13) Zoning Compliance Inspections. To administer the provisions of this Chapter relating to *zoning compliance inspections*.
- (14) Variances. To review *variance* requests and make recommendations to the Zoning Board of Adjustment for final action thereon.
- (15) Accommodative Temporary Variances. To grant *accommodative temporary variances* as authorized by this Chapter.
- (16) Statutory Vested Rights. To administer the provisions of this Chapter relating to Vested Rights for which he/she is the approving official.
- (17) Additional Powers and Duties. Such additional powers and duties as may be set forth for the *Zoning Administrator* elsewhere in this Chapter and in other laws and regulations.

§42-309. Henderson County Communication Facilities Administrator

- A. Powers and Duties Pursuant to This Chapter. The *Communication Facilities Administrator* shall have the following duties with respect to this Chapter, to be carried out in accordance with the terms of this Chapter:
- (1) Communication Facility Site Plan Review. To approve or deny all communication facility *site plans*.
 - (2) Communication Facility Permits. To grant *communication facility permits* as authorized by this Chapter.
 - (3) Additional Powers and Duties. Such additional powers and duties as may be set forth for the *Communication Facilities Administrator* elsewhere in this Chapter and in other laws and regulations.
- B. Appointment. The *Zoning Administrator* shall serve as the *Communication Facilities Administrator*.

§42-310. Henderson County Floodplain Administrator

- A. Powers and Duties Pursuant to This Chapter. The *Floodplain Administrator* shall have the following duties with respect to this Chapter, to be carried out in accordance with the terms of this Chapter:
- (1) Administer. To administer and implement the provisions of Article VIII (Natural Resources) Subpart A (Flood Damage Prevention).
 - (2) Interpretation. To interpret the terms and provisions of this Article VIII (Natural Resources) Subpart A (Flood Damage Prevention).
 - (3) Enforcement. To enforce the provisions of this Article VIII (Natural Resources) Subpart A (Flood Damage Prevention) including properly investigating complaints from *persons* who allege that *violations* of this Chapter have occurred and initiating appropriate action as necessary to prevent, enjoin, abate or remove any *violations* found. The *Floodplain Administrator*, or his/her duly authorized representative, may enter any *building, structure* or premises, as provided by law, to perform any duty imposed upon him/her by this Chapter.
 - (4) Staff Support. To provide staff support to the Flood Damage Prevention Board.
 - (5) Maintenance of Maps, LOMAs and Records.
 - a. Maintain a current map repository to include, but not limited to, the FIS Report, *FIRM* and/or other official flood maps/studies adopted in accordance with Article VIII (Natural Resources) Subpart A (Flood Damage Prevention), including any revisions thereto including Letters of Map Amendment (LOMA), issued by State and/or *FEMA*. Notify State and *FEMA* of mapping needs.
 - b. Maintain, in the Floodplain Development Permit file, a copy of all Letters of Map Amendment (LOMAs) issued from *FEMA*.

- c. Maintain, permanently, all records that pertain to the administration of Article VIII (Natural Resources) Subpart A (Flood Damage Prevention) and make these records available for public inspection, recognizing that such information may be subject to the Privacy Act of 1974, as amended.
- (6) Coordinate Revisions to FIS Reports and FIRMs. Coordinate revisions to FIS reports and *FIRMs*, including Letters of Map Revision on Fill (LOMR-F) and Letters of Map Revision (LOMR).
- (7) Alteration/Relocation of Watercourses.
 - a. Notify adjacent communities and the North Carolina Department of Crime Control and Public Safety, Division of Emergency Management, State Coordinator for the National Flood Insurance Program prior to any alteration or relocation of a *watercourse*, and submit evidence of such notification to *FEMA*.
 - b. Assure that maintenance is provided within the altered or relocated portion of said *watercourse* so that the flood-carrying capacity is maintained.
- (8) Interpret Boundaries. Interpret, as needed, the exact location of boundaries of the *Special Flood Hazard Areas*, *floodways*, or *non-encroachment areas* (for example, where there appears to be a conflict between a mapped boundary and actual field conditions). The *person* contesting the location of the boundary shall be given a reasonable opportunity to *appeal* the interpretation as provided by §42-379 (Appeals).
- (9) Inspections of the Special Flood Hazard Area. Make periodic inspections throughout the *Special Flood Hazard Areas* within the jurisdiction of Henderson County. In exercising this power, the *Floodplain Administrator* (or his/her designee) has a right, upon presentation of proper credentials, to enter on any premises within the jurisdiction of Henderson County at any reasonable hour for the purposes of inspection or other enforcement action.
- (10) Prevent Encroachments. Prevent *encroachments* within *floodways* and *non-encroachment areas* unless the certification and flood hazard reduction provisions of §42-234.6 (Floodways or Non-Encroachment Areas) are met.
- (11) Consider Effects of Proposed Artificial Obstructions. Consider the effects of a proposed artificial *obstruction* in a *floodplain* in creating danger to life and property, prior to the issuance of any permit, by: (1) water which may be backed up or diverted by such obstruction; (2) the danger that the obstruction will be swept downstream to the injury of others; and (3) the injury or damage to the site of the obstruction itself. For this purpose, the *Floodplain Administrator* may take into account anticipated development in the foreseeable future which may be adversely affected by the *obstruction*, as well as *existing development*.
- (12) Review Applications and Issue Permits. Review all floodplain development applications and issue permits (floodplain development and special fill permits) for all proposed development within *Special Flood Hazard Areas* to assure that the requirements of Article VIII (Natural Resources) Subpart A (Flood Damage Prevention) have been satisfied.

- (13) Advise of Other Permits. Advise permittee that additional Federal or State permits (i.e., *Wetlands*, *Endangered Species*, *Riparian Buffers*, *Mining*, etc.) may be required, and if specific Federal or State permits are known, require that copies of such permits be provided and maintained on file with the Floodplain Development Permit (see §42-349 (Floodplain Development Permits)).
- (14) Advise of LOMA Option. Advise the property *owner* of the option to apply for a Letter of Map Amendment (LOMA) from FEMA, when the *lowest floor* and the *lowest adjacent grade* of a *structure* or the lowest ground elevation of a *parcel* in the *Special Flood Hazard Area* are above the *Base Flood Elevation (BFE)*.
- (15) Obtain Actual Elevations. In accordance with the provisions of §42-349 (Floodplain Development Permits) C (2) (Certification Requirements), obtain actual elevation (in relation to *mean sea level*):
 - a. Of the *reference level* (including *basement*) and all attendant utilities of all new or substantially improved *structures*;
 - b. To which all new and substantially improved *structures* and all utilities have been floodproofed; and
 - c. Of all new public utilities (also in accordance with the provisions §42-234.2 (Specific Standards) B (Nonresidential Construction)).
- (16) Obtain Certifications. Obtain certifications from a registered professional engineer or architect in accordance with the provisions of §42-349 (Floodplain Development Permits) C (2) (Certification Requirements) and §42-234.2 (Specific Standards) B (Nonresidential Construction), when *floodproofing* is utilized for a particular *structure*.
- (17) Obtain, Review and Utilize BFE Data. Obtain, review, and reasonably utilize any *Base Flood Elevation (BFE)* data, along with *floodway* data and/or *non-encroachment area* data available from a Federal, State, or other source, including data developed pursuant to Article VIII (Natural Resources) Subpart A (Flood Damage Prevention), when *BFE* data have not been provided in accordance with §42-232.2 (Basis for Establishing the Special Flood Hazard Areas), in order to administer the provisions of Article VIII (Natural Resources) Subpart A (Flood Damage Prevention).
- (18) Obtain, Review and Utilize Floodway/Non-Encroachment Area Data. Obtain, review and reasonably utilize any *floodway* data, or *non-encroachment area* data available from a Federal, State, or other source, when *Base Flood Elevation (BFE)* data are provided but no *floodway* nor *non-encroachment area* data have been provided, in accordance with §42-232.2 (Basis for Establishing the Special Flood Hazard Areas) in order to administer the provisions of Article VIII (Natural Resources) Subpart A (Flood Damage Prevention).
- (19) Inspection of Work In-Progress. Make on-site inspections of work in progress, or of any location for which a permit under this Subpart A has been either been applied or granted. As the work pursuant to a Floodplain Development Permit progresses, the *Floodplain Administrator* shall make as many inspections of the work as necessary to ensure that the work is being done according to provisions of

Subpart A and the terms of the permit. In exercising this power, the *Floodplain Administrator* (or his/her designee) has a right, upon presentation of proper credentials, to enter on any premises within the jurisdiction of Henderson County at any reasonable hour for the purposes of inspection or other enforcement action.

- (20) Stop-Work Orders. Whenever a *structure* or part thereof is being constructed, reconstructed, altered, or repaired in *violation* of Article VIII (Natural Resources) Subpart A (Flood Damage Prevention), the *Floodplain Administrator* may order the work to be immediately stopped. The *stop-work order* shall be in writing and directed to the *person* doing or in charge of the work. The *stop-work order* shall state the specific work to be stopped, the specific reason(s) for the stoppage, and the condition(s) under which the work may be resumed. Violation of a stop-work order constitutes a misdemeanor.
- (21) Revoke Floodplain Development Permits. The *Floodplain Administrator* may revoke and require the return of the Floodplain Development Permit by notifying the permit holder in writing stating the reason(s) for the revocation. Permits shall be revoked for any substantial departure from the approved application, plans, and specifications; for refusal or failure to comply with the requirements of State or local laws; or for false statements or misrepresentations made in securing the permit. Any Floodplain Development Permit mistakenly issued in *violation* of an applicable State or local law may also be revoked.
- (22) Certificates of Compliance. Issue certificates of compliance for permitted projects once as-built certifications have been received and approved and once final inspections have been completed.
- (23) Variances. Review flood damage prevention variance requests and make recommendations to the Flood Damage Prevention Board for final action thereon and to report any flood damage prevention variances to *FEMA* and the State of North Carolina upon request.
- (24) Corrective Procedures. Follow through with corrective procedures of §42-378 (Violations of Article VIII (Natural Resources) Subpart A (Flood Damage Prevention)).
- (25) Require Statements, Certificates, and Certifications. Require written statements, certificates and certifications or the filing of reports under oath, with respect to pertinent questions relating to complaints or alleged *violations* of Article VIII (Natural Resources) Subpart A (Flood Damage Prevention).
- (26) Records of Appeals. To maintain records of all *appeal* actions.
- (27) Additional Powers and Duties. Perform such additional powers and duties as may be set forth for the *Floodplain Administrator* elsewhere in this Chapter and in other laws and regulations.

§42-311. Henderson County Manufactured Home Park Administrator

- A. Powers and Duties Pursuant to This Chapter. The *Manufactured Home Park Administrator* shall have the following duties with respect to this Chapter, to be carried out in accordance with the terms of this Chapter:

- (1) Interpretation. To interpret the terms and provisions of this Chapter related to *manufactured home parks*.
 - (2) Enforcement. To enforce the provisions of this Chapter including properly investigating complaints from *persons* who allege that *violations* of this Chapter have occurred and initiating appropriate action as necessary to prevent, enjoin, abate or remove any *violations* found. The *Manufactured Home Park Administrator*, or his/her duly authorized representative, may enter any *building, structure* or premises, as provided by law, to perform any duty imposed upon him/her by this Chapter.
 - (3) Manufactured Home Park Site Plan Review. To review *manufactured home park site plans* and make recommendations to the Technical Review Committee for final action thereon;
 - (4) Manufactured Home Park Construction Permits. To grant *manufactured home park construction permits* as authorized by this Chapter.
 - (5) Manufactured Home Park Completion of Improvements Permits. To grant *manufactured home park completion of improvements permit* as authorized by this Chapter.
 - (6) Additional Powers and Duties. Such additional powers and duties as may be set forth for the *Manufactured Home Park Administrator* elsewhere in this Chapter and in other laws and regulations.
- B. Appointment. The *Zoning Administrator* shall serve as the *Manufactured Home Park Administrator*.

§42-312. Henderson County Soil Erosion and Sedimentation Control Administrator

- A. Powers and Duties Pursuant to This Chapter. The *Soil Erosion and Sedimentation Control Administrator* shall have the following duties with respect to this Chapter, to be carried out in accordance with the terms of this Chapter:
- (1) Interpretation. To interpret the terms and provisions of this Chapter related to *soil erosion and sedimentation control*.
 - (2) Enforcement. To enforce the provisions of this Chapter related to soil erosion and sedimentation control regulations including properly investigating complaints from *persons* who allege that *violations* of this Chapter have occurred and initiating appropriate action as necessary to prevent, enjoin, abate or remove any *violations* found. The *Soil Erosion and Sedimentation Control Administrator*, or his/her duly authorized representative, may enter any *building, structure* or premises, as provided by law, to perform any duty imposed upon him/her by this Chapter.
 - (3) Membership on the Technical Review Committee. To serve as a member of the Technical Review Committee.
 - (4) Erosion and Sedimentation Control Plan Review. To review and approve erosion and sedimentation control plans as authorized by this Chapter.

- (5) Civil Penalties. To assess civil penalties per violation as authorized by this Chapter.
- (6) Additional Powers and Duties. Such additional powers and duties as may be set forth for the *Soil Erosion and Sedimentation Administrator* elsewhere in this Chapter and in other laws and regulations.

§42-313. Henderson County Water Quality Administrator

A. Powers and Duties Pursuant to This Chapter. The *Water Quality Administrator* shall have the following duties with respect to this Chapter, to be carried out in accordance with the terms of this Chapter:

- (1) Interpretation. To interpret the terms and provisions of this Chapter related to *water supply watershed* protection and *stormwater* management. Any *person* may request a *stormwater* management interpretation by submitting a written request to the *Water Quality Administrator*, who shall respond in writing within 30 days.
- (2) Enforcement. To enforce the provisions of this Chapter related to *water supply watershed* protection and *stormwater* management regulations including properly investigating complaints from *persons* who allege that *violations* of this Chapter have occurred and initiating appropriate action as necessary to prevent, enjoin, abate or remove any *violations* found. The *Water Quality Administrator*, or his/her duly authorized representative, may enter any *building, structure* or premises, as provided by law, to perform any duty imposed upon him/her by this Chapter.
- (3) Record of Written Interpretation. To keep on file a record of all written interpretations of provisions of this Chapter related to *stormwater* management.
- (4) Staff Support. To provide staff support to the Water Quality Board.
- (5) Application Requirements. To establish requirements for the content and form of all applications; amend and update application requirements from time to time; establish schedules for submittal and review of applications and appeals; review and make recommendations to the Water Quality Board.
- (6) Submission Schedule. To establish a submission schedule with deadlines by which complete applications must be submitted for the purpose of ensuring there is adequate time to review applications, and that the various stages in the review process are accommodated.
- (7) Stormwater Management Permits. To grant stormwater management permits as authorized by this Chapter.
- (8) Watershed Permits. To administer the provisions of this Chapter relating to *water supply watershed* and grant *water supply watershed use* permits, *watershed* protection compliance permits, and watershed high-density development permits.
- (9) Record of Watershed Permits. To keep a record of all permits on file and available for public inspection during regular office hours of the *Water Quality Administrator*.

- (10) Watershed Compliance Inspections. To administer the provisions of this Chapter relating to *watershed* compliance inspections.
- (11) Bonuses and Allocations. To review requests for *natural drainage and filtering system* bonuses.
- (12) Plan Review. To review and approve, approve with conditions, or disapprove applications for approval of plans pursuant to the *stormwater* management regulations of this Chapter.
- (13) Stormwater Management Inspections. To enter and inspect any land, *building, structure*, or premises to ensure compliance with the *stormwater* management regulations of this Chapter, upon presentation of proper credentials.
- (14) Amendments to Water Supply Watershed Protection Regulations. To provide copies of all amendments to the *water supply watershed* protection regulations of this Chapter (upon adoption) to the North Carolina Division of Environment and Natural Resources (NCDENR) Division of Water Quality (DWQ).
- (15) Record of Water Supply Watershed Protection Amendments. To keep records of all amendments pertaining to *water supply watershed* protection.
- (16) Variance. To administer the provisions of this Chapter relating to *Watershed Variances*.
- (17) Record of Variances. To keep a record of *variances* to the sections of this Chapter dealing with *water supply watershed* protection. This record shall be submitted for each calendar year to the NCDENR DWQ on or before January 1 of the following calendar year and shall provide a description of each project receiving a *variance* and the reasons for granting the *variance*.
- (18) Monitoring Land Use Activities. The *Water Quality Administrator* shall monitor *land use* activities within the *watershed* areas to identify situations that may pose a threat to water quality. Where such activities are found, the *Water Quality Administrator* shall take any appropriate action or proceeding to restrain, correct or abate the condition and/or *violation*.
- (19) Stormwater Management Administrative Manual. To compile the application requirements, submission, schedule, fee schedule, a copy of the regulations, and information on how and where to obtain the *Stormwater BMP Manual* in a Stormwater Management Administrative Manual, which shall be made available to the public and *persons* filing applications required under the *stormwater* management regulations of this Chapter.
- (20) Maintenance. To maintain records, maps, forms and other official materials as relate to the adoption, amendment, enforcement, and administration of the *stormwater* management regulations of this Chapter.
- (21) Additional Powers and Duties. Such additional powers and duties as may be set forth for the *Water Quality Administrator* elsewhere in this Chapter and in other laws and regulations.

§42-314. Reserved

§42-315. Reserved

§42-316. Reserved

§42-317. Reserved

§42-318. Reserved

§42-319. Henderson County Planning Director

A. Powers and Duties Pursuant to This Chapter. The *Planning Director* shall have the following duties with respect to this Chapter, to be carried out in accordance with the terms of this Chapter:

- (1) Administrative Amendments. To initiate *administrative amendments* to the *Comprehensive Plan* and draft any *administrative amendment* proposed by any individual or agency.
- (2) Substantive Amendments. To initiate *substantive amendments* to the *Comprehensive Plan*.
- (3) Text Amendments. To initiate *text amendments* to this Chapter.
- (4) Map Amendments. To initiate *map amendments* to the Official Zoning Map.
- (5) Statutory Vested Rights. To administer the provisions of this Chapter relating to Vested Rights for which he/she is the approving official.
- (6) Staff Support. To provide staff support, reports and recommendations to the Planning Board and to the Board of Commissioners on planning and land development issues.
- (7) Membership on the Technical Review Committee. To serve as a member and Chair of the Technical Review Committee.
- (8) Subdivision Administrator. To serve as the *Subdivision Administrator*.
- (9) Maintenance of Official Copies. To maintain the official copy of the land development code, *zoning map*, *watershed map* and other such records and official materials as may relate to the adoption, amendment, enforcement or administration of this Chapter.
- (10) Additional Powers and Duties. Such additional powers and duties as may be set forth for the *Planning Director* elsewhere in this Chapter and in other laws and regulations.

§42-320. Henderson County Subdivision Administrator

A. Powers and Duties Pursuant to This Chapter. The *Subdivision Administrator* shall have the following duties with respect to this Chapter, to be carried out in accordance with the terms of this Chapter:

- (1) Subdivision Applications. To review and process *subdivision* applications; and to approve, approve conditionally or deny applications for *subdivisions* for which he/she is the approving official.

- (2) Enforcement. To enforce the provisions of this Chapter related to subdivision regulations including properly investigating complaints from *persons* who allege that *violations* of this Chapter have occurred and initiating appropriate action as necessary to prevent, enjoin, abate or remove any *violations* found. The *Subdivision Administrator*, or his/her duly authorized representative, may enter any premises, as provided by law, to perform any duty imposed upon him/her by this Chapter. The *Subdivision Administrator*, or his/her duly authorized representative, may enter any premises, as provided by law, to inspect any improvements made in relation to a *subdivision* application.
 - (3) Site Plan Review. To review major *site plans* and make recommendations to the Technical Review Committee for final action thereon.
 - (4) Plat Review. To review *plats* and make recommendations to the appropriate reviewing agency for final action thereon.
 - (5) Additional Powers and Duties. Such additional powers and duties as may be set forth for the *Subdivision Administrator* elsewhere in this Chapter and in other laws and regulations.
- B. Appointment. The *Planning Director* and or designees shall serve as the *Subdivision Administrator*.

§42-321. Conflicts of Interest

- A. Henderson County Board of Commissioners. A Board of Commissioner member shall not vote on any legislative decision regarding a development regulation adopted pursuant to this Chapter where the outcome of the matter being considered is reasonably likely to have a direct, substantial, and readily identifiable financial impact on the member. A Board of Commissioner member shall not vote on any zoning amendment if the landowner of the property subject to a *map amendment* petition or the applicant for a *text amendment* is a person with whom the member has a close familial, business, or other associated relationship.
- B. Appointed Boards. Members of appointed boards shall not vote on any legislative decision regarding a development regulation adopted pursuant to this Chapter where the outcome of the matter being considered is reasonably likely to have a direct, substantial, and readily identifiable financial impact on the member. An appointed board member shall not vote on any zoning amendment if the landowner of the property subject to a *map amendment* or the applicant for a *text amendment* is a person with whom the member has a close familial, business, or other associational relationship.
- C. Administrative Staff. No staff member shall make a final decision on an administrative decision required by this Chapter if the outcome of that decision would have a direct, substantial, and readily identifiable financial impact on the staff member or if the applicant or other person subject to that decision is a person with whom the staff member has a close familial, business, or other associated relationship. If a staff member has a conflict of interest under this section, the decision shall be assigned to the supervisor of the staff person or such other staff person as may be designated by the development regulation or other ordinance. No staff member shall be financially interested or employed by a business that is financially interested in a development subject to

regulation under this Chapter unless the staff member is the owner of land or building involved. No staff member or other individual or an employee of a company contracting with a local government to provide staff support shall engage in any work that is inconsistent with his or her duties or with the interest of the local government, as determined by the local government.

- D. Quasi-Judicial Decisions. A member of any board exercising quasi-judicial functions pursuant to this Chapter shall not participate in or vote on any quasi-judicial matter in a manner that would violate affected persons’ constitutional rights to an impartial decision maker. Impermissible violations of due process include, but are not limited to, a member having a fixed opinion prior to a hearing the matter that is not susceptible to change, undisclosed ex-parte communications, a close familial, business, or other associational relationship with an affected person, or a financial interest in the outcome of the matter.
- E. Resolution of Objection. In an objection is raised to a board member’s participation at or prior to the hearing or vote on a particular matter and that member does not recuse himself or herself, the remaining members of the board shall by majority vote rule on the objection.
- F. Familial Relationship. For purposes of this section, a “close familial relationship” means a spouse, parent, child, brother, sister, grandparent, or grandchild. The term includes the step, half, and in-law relationships.

§42-322. *Determinations and Notice of Determinations.* The officer making the *determination* shall give written notice to the owner of the property that is the subject of the *determination* and to the party who sought the *determination*, if different from the owner. The written notice shall be delivered by personal delivery, electronic mail, or by first-class mail. The notice shall be delivered to the last address listed from the owner of the affected property on the county tax abstract and to the address provided in the application or request for a *determination* if the party seeking the *determination* is different from the owner.

§42-323. Reserved

§42-324. Reserved

§42-325. Reserved

August 5, 2024

August 5, 2024

ARTICLE XI
REVIEW PROCESSES AND PROCEDURES

Subpart A. Site Plan Review and Approval

§42-326. General

Site Plans shall contain all applicable information as required herein and shall adhere to the applicable review and approval process as outlined in this subpart. To lessen the time required to obtain all necessary approvals, the *Site Plan* approval processes may run concurrently with a *building* plan review, an application for a land-disturbing permit, or other applications for approvals required for the particular development. When a watershed development plan approval is required, that approval shall be a prerequisite to *Site Plan* approval. *Site Plans* are required where the individual consideration of design, configuration and/or operation of a *use* at a proposed site is/are necessary to ensure site appropriateness, compatibility with surrounding *uses* and the protection of the public health, safety and welfare.

§42-327. Communication Facility Site Plan Review.

- A. Approval Authority. *Communication Facilities Administrator*.
- B. Staff Review. The *Communication Facilities Administrator* shall review the proposal and determine its completeness, finding that the regulations of this Chapter that set forth specific development standards (see SR 9.3 (Communication Facilities) and (§42-347 (Category One (1) or Two (2) Communication Facility Permits) and §42-348 (Category Three (3) Communication Facility Permits)) have been met.
- C. Permit Validity. The *Communication Facilities Administrator* or Zoning Board of Adjustment (*ZBA*) (as determined by facility category) shall grant the applicable *Communication Facility Permit*, in accordance with the process outlined in this section, only after review and approval of the *site plan*.

§42-328. Manufactured Home Park (MHP) Site Plan Review

- A. Approval Authority. Technical Review Committee (*TRC*).
- B. Staff Review. All members of the *TRC* shall sign off on the proposal for approval. The *TRC* shall not approve a *site plan* unless it makes written findings that the regulations of this Chapter that set forth specific development standards have been met. The *TRC* shall take action within 30 days of reviewing the *site plan*.
 - (1) Approval. The proposal meets all requirements of this Chapter, and other statutes, ordinances and regulations of the County as submitted and is approved. If the *site plan* is approved by the *TRC* the *applicant* may proceed with other requirements necessary to obtain a building permit.
 - (2) Conditional Approval. The proposal exhibits only minor deficiencies with regard to this Chapter and other statutes, ordinances and regulations of the County and, after corrections have been made, can be approved. If the *site plan* is granted conditional approval by the *TRC* the *applicant* shall revise and resubmit the *site plan* to the *MHP Administrator*. The *MHP Administrator* shall review the revised *site plan* and, if it meets the approval conditions and is otherwise substantially

unaltered, shall signify on the plan the change from conditional approval to approval. The *MHP Administrator* has the right to resubmit the revised *site plan* to the *TRC* for complete review if deemed necessary. If the *site plan* is not revised within 60 days to meet the approval conditions, or the *applicant* notified the *MHP Administrator* of unwillingness to revise the *site plan*, it shall be deemed denied.

- (3) Denial. The proposal cannot be approved as it exhibits deficiencies and/or is not in compliance with this Chapter or other statutes, ordinances and regulations of the County which make it completely ineligible for revision and resubmittal. If the *TRC* denies the *site plan*, reasons for the denial shall be stated in writing.
- C. Permit Validity. The *MHP Administrator* shall grant *MHP* Construction Permits and *MHP* Completion of Improvement Permits only after *TRC* review and approval of the *site plan*. Minor changes to the location, siting or character of *manufactured homes* or other *structures* may be authorized by the *MHP Administrator* if required by engineering or other circumstances not foreseen at the time the *site plan* was approved, provided that such changes adhere to the requirements set forth in this Chapter. Where such changes are major (including proposed increases to the number of units or non-*accessory structures*), the *site plan* shall be resubmitted and reviewed by the *TRC*.

§42-329. Minor Site Plan Review

- A. Approval Authority. *Zoning Administrator*.
- B. Staff Review. The *Zoning Administrator* shall review the proposal and determine its completeness, finding that the regulations of this Chapter that set forth specific development standards have been met.
- C. Permit Validity. The *Zoning Administrator* shall issue a *zoning permit* for minor *site plans*, in accordance with the process outlined in this Chapter (see §42-361 (*Zoning Permits*)), only after review and approval of the *site plan*.

§42-330. Major Site Plan Review

- A. Approval Authority. Technical Review Committee (*TRC*).
- B. Staff Review. The *Zoning Administrator* shall meet with *applicants* in a pre-application conference prior to, or at the time of *site plan* submittal to provide information to the *applicant* regarding the review process and assist in the preparation of the submittal. The *Zoning Administrator*, after receiving the *site plan*, shall: (1) review the plan, (2) determine its completeness, (3) schedule the matter for consideration by the *TRC*, (4) notify the *applicant* of the *TRC*'s scheduled time, and (5) prepare a recommendation on the *site plan*. All members of the *TRC* shall sign off on the application for approval. The *TRC* shall not approve a *site plan* unless it makes written findings that the regulations of this Chapter have been met. The *TRC* shall take action within 30 days of reviewing the *site plan*. Any approval or denial of the request must be in writing and be permanently filed in the office of the *TRC* as a public record.

- (1) Approval. The proposal meets all requirements of this Chapter and other statutes, ordinances and regulations of the County as submitted and is approved. If the *site plan* is approved by the *TRC* the *applicant* may proceed with other requirements necessary to obtain a building permit.
- (2) Conditional Approval. The proposal exhibits only minor deficiencies with regard to this Chapter and other statutes, ordinances and regulations of the County and, after corrections have been made, can be approved. If the *site plan* is granted conditional approval by the *TRC* the *applicant* shall revise and resubmit the *site plan* to the *Zoning Administrator*. The *Zoning Administrator* shall review the revised *site plan* and, if it meets the approval conditions and is otherwise substantially unaltered, shall signify on the plan the change from conditional approval to approval. The *Zoning Administrator* has the right to resubmit the revised *site plan* to the *TRC* for complete review if deemed necessary. If the *site plan* is not revised within 60 days to meet the approval conditions, or the *applicant* notified the *Zoning Administrator* of unwillingness to revise the *site plan*, it shall be deemed denied.
- (3) Denial. The proposal cannot be approved as it exhibits deficiencies and/or is not in compliance with this Chapter or other statutes, ordinances and regulations of the County which make it completely ineligible for revision and resubmittal. If the *TRC* denies the *site plan*, reasons for the denial shall be stated in writing and the *site plan* may be revised and resubmitted.
- (4) Building Dimensions. The site plan shall show the building footprint dimensions and the total finished square footage of the building. The finished square footage calculation shall include, but not be limited too, basements, outside covered porches, decks, and all interior floor levels including ½ story areas, lofts, and closet or finished storage areas.
- (5) Modifications. Due to, but not limited to, topography and limitations prior and during construction, it may be necessary for an approved site plan to be modified per the approval of the *Zoning Administrator*. Proposed modifications shall qualify as de minimis if the cumulative effect of such modifications would not increase the established footprint of the structure by more than ten percent (10%). The dimensional requirements for a structure is determined by the height restrictions of the applicable zoning district and both the overall footprint and useable square footage of the building as shown on the approved site plan unless otherwise noted.

C. Permit Validity. No permit shall be issued by the *TRC*; however, no permit for any *use* requiring a major *site plan* may be issued without proof of *TRC* review and approval.

§42-331. Reserved

§42-332. Reserved

§42-333. Reserved

Subpart B. Soil Erosion and Sedimentation Control Plan Review and Approval

§42-334. Soil Erosion and Sedimentation Control Plan Review and Approval (See §42-255 (Erosion and Sedimentation Control Plans))

Subpart C. Subdivision Review and Approval

§42-335. General

All *subdivision* applications, plans and *plats* shall contain all applicable information as required in this Subpart and shall adhere to the applicable review and approval process.

§42-336. Review for Minor, Special, and Nonstandard Subdivisions

A. Approval Authority. *Subdivision Administrator*.

B. Application.

1. Application. Each *applicant* shall submit an application to the *Subdivision Administrator*. Applications may be modified by the *Subdivision Administrator* as necessary, who may require the *applicant* to supply additional information. Development plans are required for *minor* or *phased minor subdivisions* where up to ten (10) *lots* and new *right-of-way* are proposed. Development plans must be submitted to the *Subdivision Administrator* pursuant to §42-93 (Minor Subdivisions). Where development plan review is not required the *applicant* shall submit a *final plat* in mylar form and a paper copy of the *final plat* along with all application materials (see Article III (Subdivision Regulations)). The *final plat* must be prepared in conformance with the *final plat* requirements provided by the Planning Department, (§42-342 (Final Plat Review)) and provisions of this Chapter.

2. Fees. Any application fee established by the Board of Commissioners shall be submitted with the application.

C. Staff Review. The *Subdivision Administrator* shall review all *minor subdivisions* and *nonstandard subdivisions* and development plans (when applicable) in conformance with Article III (Subdivision Regulations). The *Subdivision Administrator* may refer any *minor subdivision* or *nonstandard subdivision* for review by the Planning Board in accordance with this Chapter.

§42-337. Review for Major Residential Subdivisions and Conservation Subdivisions of Eleven (11) to Thirty-Four (34) Lots and any Commercial, Office Institutional, Industrial or Mixed-Use Subdivisions of Thirty-Four (34) or Fewer Lots

A. Approval Authority. Technical Review Committee (*TRC*).

B. Application.

1. Pre-application Conference. Each *applicant* shall meet with the *Subdivision Administrator* in a pre-application conference at least 15 days prior to the submission of any *subdivision* reviewed in accordance with this section. The purposes of the conference are to: (1) acquaint the *applicant* with the application process, (2) review the sketch of the proposed development, (3) allow for the free

exchange of information between the *applicant* and the *Subdivision Administrator*, (4) explore how the *applicant* intends to design the development, and (5) identify contemplated density levels, areas proposed for preservation and existing nature features on the property to be subdivided. The *applicant* should be prepared to discuss the development plans for the entire *tract* and any adjacent property under the same ownership. Each *applicant* shall bring to the pre-application conference a site analysis sketch which shall:

- a. Be prepared based on aerial photography, visual observations and an on-site inspection of the *tract* and which may be prepared (at the *applicant's* request) with the general guidance of Planning Staff or professionally (although neither is required);
- b. Be at a scale which is clearly legible and provides sufficient detail to describe the general location of proposed development and the stated features for discussion purposes; and
- c. Identify (for the entire *tract*) the following features: streams, creeks, ponds, reservoirs, *floodplains*, *wetlands*, *steep slopes* (those greater than 60 percent), *unique natural areas*, rock outcroppings, farmland, pastureland and wooded/forested areas.

2. Applications. Applications, including all application materials, master plan(s) (see §42-340 (Master Plans)) and/or development plan(s) (see §42-341 (Development Plans)) shall be submitted on or before the deadline date required by the Planning Department for review at the *TRC* meeting. In the opinion of the *Subdivision Administrator*, if an application is incomplete, the *Subdivision Administrator* may return the application to the *applicant* identifying the specific omissions, without invoking the review time requirement. The *applicant* shall have the automatic right to withdraw the application at any time until the *applicant* has concluded comments regarding the project before the *TRC*.
 3. Fees. Any review fee established by the Board of Commissioners shall be submitted with the application.
- C. Staff Review. The *Subdivision Administrator* shall preliminarily review the application and schedule the matter for consideration by the *TRC* and notify (in writing) the *applicant* of that time. Formal review of the *subdivision* shall not begin until the *Subdivision Administrator* has verified that the application is complete. Such verification should, when possible, be made within three (3) business days of its receipt.
- D. Formal Review. The *Subdivision Administrator* shall prepare a recommendation on the application and supply a copy of the recommendation to the *applicant* before review by the *TRC*. All members of the *TRC* shall sign off on the application for approval. Any approval or denial of the request must be in writing and be permanently filed in the office of the *TRC* as a public record. The *TRC* shall take action within 30 days of reviewing the application. The *Subdivision Administrator* shall notify the *applicant* (in writing) of the decision by the *TRC* and any conditions imposed on the development within ten (10) business days of the decision. The *TRC* may refer any *subdivision* reviewed in

accordance with this section for review by the Planning Board in accordance with this Chapter. The *TRC* may take the following action when reviewing an application:

1. Approval. The proposal meets all requirements of this Chapter and other statutes, ordinances and regulations of the County as submitted and is approved.
2. Conditional Approval. The proposal exhibits only minor deficiencies with regard to County regulations and other statutes, and is approved subject to the completion of certain conditions. If the plan is approved with conditions the Planning Staff is given administrative responsibility to grant formal approval upon satisfaction of imposed conditions. The *Subdivision Administrator* has the right to resubmit any revised master plan and/or development plan and subdivision application to the *TRC* for complete review if deemed necessary. If the application is granted conditional approval by the *TRC*, then said conditions must be met before a *final plat* can be approved, unless specified otherwise. If the master plan and/or development plan is not revised to meet the approval conditions, or the *applicant* notified the Planning Department of unwillingness to meet the conditions, it shall be deemed denied and a *final plat* cannot be approved.
3. Denial. The proposal cannot be approved as it exhibits deficiencies and/or is not in compliance with this Chapter or other statutes, ordinances and regulations of the County. If the *TRC* denies the application, reasons for the denial shall be provided (in writing) to the *applicant*.

§42-338. Review for Major Subdivisions and Conservation Subdivisions of Thirty-Five (35) to Two Hundred Ninety-Nine (299) Lots

A. Approval Authority. Planning Board.

B. Application.

1. Pre-application Conference. Each *applicant* shall meet with the *Subdivision Administrator* in a pre-application conference at least 15 days prior to the submission of any *major subdivision* application of 35 to 299 lots. The purposes of the conference are to: (1) acquaint the *applicant* with the application process, (2) review the sketch of the proposed development, (3) allow for the free exchange of information between the *applicant* and the *Subdivision Administrator*, (4) explore how the *applicant* intends to design the development, and (5) identify contemplated density levels, areas proposed for preservation and existing nature features on the property to be subdivided. The *applicant* should be prepared to discuss the development plans for the entire *tract* and any adjacent property under the same ownership. Each *applicant* shall bring to the pre-application conference a site analysis sketch which shall:
 - a. Be prepared based on aerial photography, visual observations and an on-site inspection of the *tract* and which may be prepared (at the *applicant's* request) with the general guidance of Planning Staff or professionally (although neither is required);

- b. Be at a scale which is clearly legible and provides sufficient detail to describe the general location of proposed development and the stated features for discussion purposes; and
 - c. Identify (for the entire *tract*) the following features: streams, creeks, ponds, reservoirs, *floodplains*, *wetlands*, *steep slopes* (those greater than 60 percent), *unique natural areas*, rock outcroppings, farmland, pastureland and wooded/forested areas.
- 2. Application. Applications, including all application materials, master plan(s) (see §42-340 (Master Plans)) and/or development plan(s) (see §42-341 (Development Plans)) shall be submitted on or before the date required by the Planning Department for review at the next Planning Board meeting. In the opinion of the *Subdivision Administrator* if an application is incomplete, the *Subdivision Administrator* may return the application to the *applicant* identifying the specific omissions, without invoking the review time requirement.
- 3. Fees. Any review fee established by the Board of Commissioners shall be submitted with the application.
- C. Staff Review. The *Subdivision Administrator* shall preliminarily review all application materials, master plan and/or development plan(s) and schedule the matter for consideration by the Planning Board and notify the *applicant* (in writing) of that time. The *Subdivision Administrator* shall schedule the matter for consideration by the *TRC* and notify (in writing) the *applicant* of that time. Formal review of the *subdivision* shall not begin until the *Subdivision Administrator* has verified that the application is complete. Such verification should, when possible, be made within three (3) business days of its receipt.
- D. Neighborhood Compatibility Meeting. A neighborhood compatibility meeting is required for subdivisions proposing more than one hundred (100) units/lots. See §42-372. Neighborhood Compatibility Meeting.
- E. Formal Review. Major *subdivisions* of 35 to 299 *lots* that do not meet the conservation subdivision standards (see §42-87 Conservation Subdivisions (Option)) shall follow the procedures of §42-339 (Review for Major Subdivisions and Conservation Subdivisions of Three Hundred (300) or More Lots) or seek *development agreement* approval through the Board of Commissioners.

The *Subdivision Administrator* shall prepare a recommendation on the application and supply a copy of this recommendation and the recommendation of the *TRC* to the *applicant* before review by the Planning Board. The Planning Board shall take action within 90 days from the date of its first consideration of the application. The *Subdivision Administrator* shall notify the *applicant* (in writing) of the decision by the Planning Board and any conditions imposed on the development within ten (10) business days of the decision. The *Planning Board* may refer any *subdivision* to the Board of Commissioners for review after giving due notice to the applicant. Reasons for such referral may include, but are not limited to, the size of the subdivision, location within the County, impact on the community, impact on infrastructure, or particular environmental features that make this subdivision substantially unique from other proposed

subdivisions. The Planning Board may take the following action when reviewing an application:

1. Approval. The proposal meets all requirements of this Chapter and other statutes, ordinances and regulations of the County as submitted and is approved.
 2. Conditional Approval. The proposal exhibits only minor deficiencies with regard to County regulations and other statutes, and is approved subject to the completion of certain conditions. If the plan is approved with conditions the Planning Staff is given administrative responsibility to grant formal approval upon satisfaction of imposed conditions. The *Subdivision Administrator* has the right to resubmit the revised plan(s) to the Planning Board for complete review if deemed necessary. If the application is granted conditional approval by the Planning Board, then said conditions must be met before a *final plat* can be approved, unless specified otherwise. If the master plan and/or development plan are not revised to meet the approval conditions or the *applicant* notified the Planning Department of unwillingness to meet the conditions, it shall be deemed denied and a *final plat* cannot be approved.
 3. Denial. The proposal cannot be approved as it exhibits deficiencies and/or is not in compliance with this Chapter or other statutes, ordinances and regulations of the County.
- F. Public Notification. Public notification of the Planning Board meeting shall comply with the provisions outlined in §42-370 (Legislative Process Standards) B(5) (Posted Notice), for posted notices. Planning Staff shall be responsible for all necessary public notifications.

§42-339. Review for Major Subdivisions and Conservation Subdivisions of Three Hundred (300) or More Lots

- A. Approval Authority. Board of Commissioners.
- B. Approval Type. Map Amendment approval as a Conditional Zoning District.
- C. Application.
 - (1) Pre-application Conference. Each *applicant* shall meet with the *Planning Director* in a pre-application conference at least 15 days prior to the submission of any application for a major subdivision of 300 or more lots and accompanying map amendment application. The purposes of the conference are to: (1) acquaint the *applicant* with the application process, (2) review the sketch of the proposed development, (3) allow for the free exchange of information between the *applicant* and the *Planning Director*, (4) explore how the *applicant* intends to design the development, and (5) identify contemplated density levels, areas proposed for preservation and existing nature features on the property to be subdivided. The *applicant* should be prepared to discuss the development plans for the entire *tract* and any adjacent property under the same ownership. Each *applicant* shall bring to the pre-application conference a site analysis sketch which shall:

- a. Be prepared based on aerial photography, visual observations and an on-site inspection of the *tract* and which may be prepared (at the *applicant's* request) with the general guidance of Planning Staff or professionally (although neither is required);
 - b. Be at a scale which is clearly legible and provides sufficient detail to describe the general location of proposed development and the stated features for discussion purposes; and
 - c. Identify (for the entire *tract*) the following features: streams, creeks, ponds, reservoirs, *floodplains*, *wetlands*, *steep slopes* (those greater than 60 percent), *unique natural areas*, rock outcroppings, farmland, pastureland and wooded/forested areas.
- (2) Application. Applications, including all application materials (subdivision and map amendment), master plan(s) (see §42-340 (Master Plans)) and/or development plan(s) (see §42-341 (Development Plans)) shall be submitted on or before the date required by the Planning Department for review at the next Planning Board meeting. The map amendment application shall also include: (1) the name(s) and address(es) of the *owner(s)* of the property in question; (2) the location of the property; (3) the *PIN* as shown on the County tax listing; (4) a description/statement of the present and proposed district; (5) a description of the property in question sufficient to unequivocally describe and identify said property (such description may take the form of a property survey, a legal description or a legible copy of a County cadastral or composite tax map clearly annotated with district lines which follow political boundaries, geographical features or property lines); and where an *applicant* chooses to appoint an agent to speak on their behalf, (6) an agent form. In the opinion of the *Planning Director* if an application is incomplete, the *Planning Director* may return the application to the *applicant* identifying the specific omissions, without invoking the review time requirement. The *Planning Director* may modify applications as necessary. Incomplete applications must be resubmitted on or before the date required by the Planning Department for review at the next Planning Board meeting.
- (3) Review Schedule. Applications for major subdivisions of 300 or more lots shall have a minimum 45 day processing period for review by the *Planning Director* before the first consideration by the Planning Board. Applications involving more than one (1) parcel not under common ownership by the *applicant* shall be forwarded to the Board of Commissioners at its first regularly scheduled monthly meeting. (The Board of Commissioners will review the application and determine if it should proceed or, due to the size of the area, number of parcels or number of property *owners*, if the scope of the application will require a *Small Area Zoning Study*. If the Board of Commissioners agrees that the application calls for a *Small Area Zoning Study*, a directive for such will be issued by the Commissioners and direction will be provided as to how to proceed with the amendment application).
- (4) Withdrawal of Application. Each application for a major subdivision of 300 or more lots which is withdrawn by the *applicant* after the first newspaper notice

appears, shall not be considered for a *map amendment* within the following six (6) months.

- (5) Application Resubmittal. The Planning Board and the Board of Commissioners will not consider an application (by a property *owner* or *owner's* agent) when, within the previous 12 months, the *map amendment* request was denied by the Commissioners.
 - (6) Fees. Any review fee established by the Board of Commissioners shall be submitted with the application.
- D. Staff Review. The *Planning Director* shall: (1) process and review the subdivision application, master plan and/or development plan(s), and map amendment request; (2) present the application to the *TRC* for its comments and recommendations; (3) schedule the matter for consideration by the Planning Board and notify the *applicant* (in writing) of that time; (4) forward a copy to any review agency for information purposes or for comment; and (5) prepare a recommendation on the proposed amendment. Formal review of the major subdivision of 300 or more lots shall not begin until the *Planning Director* has verified that the application is complete. Such verification should, when possible, be made within three (3) business days of its receipt.
 - E. Neighborhood Compatibility Meeting. A neighborhood compatibility meeting is required. See §42-372. Neighborhood Compatibility Meeting.
 - F. Formal Review. The *Planning Director* shall prepare a recommendation on the application and supply a copy of the recommendation to the *applicant* before review by the Planning Board. Prior to amending the Official Zoning Map, the Commissioners shall consider the Planning Board's recommendation which must be in writing and must address consistency with the *Comprehensive Plan* and any applicable adopted plan. The Planning Board shall have 45 days after the first consideration of an application for a major subdivision of 300 or more lots to submit its written recommendation to the Commissioners. Failure of the Planning Board to submit a written recommendation within the 45 day period shall constitute a favorable recommendation, except that, if by agreement of the Planning Board and the *applicant* that 45 days is insufficient due to the size of the area, the complexity of the request or similar circumstances, the Planning Board shall have 60 days to submit its written recommendations.
 - G. Public Hearing. Prior to amending the *zoning map* the Commissioners shall hold a public hearing on the amendment in accordance with *NCGS* §160D-601, as amended (See §42-370 (Legislative Process Standards)).
 - H. Public Notification. Public notification of the Planning Board meeting shall comply with the provisions outlined in §42-370 (Legislative Process Standards) B(5) (Posted Notice), for posted notices. Public notification of the Commissioners public hearing shall comply with the provisions of *NCGS* §160D-602, as amended (See §42-370 (Legislative Process Standards)). Planning Staff shall be responsible for all necessary public notifications.
 - I. Amendment Validity. The amendment is effective immediately following the decision of the Commissioners. The Commissioners shall issue a written statement on all *map amendment* decisions (both adoptions and rejections) addressing reasonableness, consistency with the *Comprehensive Plan*, and public interests furthered. Subsequent

development plans shall be reviewed and approved by the Board of Commissioners. However, the *Commissioners* may delegate this approval authority, on a project by project basis, to the *Planning Board* or *Subdivision Administrator* provided all conditions of approval are met and the development plan is consistent with the approved master plan. Development plans shall meet all requirements of this Chapter. *Final plats* shall be reviewed following the processes and procedures outlined in §42-75 (Approval for Subdivision Plats) and §42-342 (Final Plat Review).

§42-340. Master Plans

- A. Plan Preparation. Master plans must be prepared in conformance with this subpart and master plan requirements provided by the Planning Department. A master plan is required during review of all *major subdivisions*. The *applicant* shall submit two (2) full-sized copies, one (1) reduced-sized copy, and a digital copy of the master plan, at a scale appropriate to clearly depict the proposed project. Reduced size copies should be legible and reproducible. If a reduced size copy of the plan (no larger than 11 inches by 17 inches in size) cannot be provided, at least 4 large copies shall be submitted in its place. The master plan may consist of multiple sheets, if needed. *Applicants* proposing single section or *phased subdivisions* may submit a combined master plan and development plan (“master/development plan”) that shall be prepared in conformance with this subpart and the requirements of a development plan provided by the Planning Department and §42-341 (Development Plans).
- B. Purpose of the Plan. The master plan is intended to provide general information about the proposed development to allow for an assessment of its impact on the orderly growth and development of the County, environmental quality, land values, natural features identified on the site analysis sketch and the County’s *roads* and governmental services.
- C. Review of the Plan. During review of the master plan for a *major subdivision* application, the reviewing agency shall take into consideration: (1) applicable recommendations of the *Comprehensive Plan*, (2) the potential *use* of the land to be subdivided and (3) the impact of the *subdivision* and proposed *use* whether residential, commercial or industrial.
- D. Revisions to the Plan. If during the development of the project, the master plan is revised to affect any of the following: increase the number of *lots* to be created or units to be constructed; create a substantive change in the *subdivision* configuration, *road* layout, etc.; substantially change the *use* of any portion of the *tract*; develop or build in areas that were identified as features in the site analysis sketch (see Article III (Subdivision Regulations) and Article XI (Review Processes and Procedures) Subpart C (Subdivision Review and Approval)) and that were identified in the master plan as *open spaces* or *protected areas*, the *applicant* shall then submit a revised master plan for the reviewing agency to review in accordance with Article III (Subdivision Regulations) and the applicable review process as outlined in this Article XI (Review Process and Procedures) Subpart C (Subdivision Review and Approval).
- E. Land Disturbing and Improvement Activities. The *applicant* may only proceed with the establishment of *erosion* and *sedimentation* control measures, clearing and other *land-disturbing activities* and improvement activities associated with the project upon receipt of approval of the development plan (See §42-341 (Development Plans)).

- F. Approval Validity. Master plan approval is valid for two (2) years and shall be annotated on the plan. If, at the completion of the two-year period, no development plan has been submitted, the applicant must reapply under the current applicable requirements. Upon completion of a development plan, where no new development plan had been submitted for a period of four (4) years, the applicant must reapply under the current applicable requirements for the remainder of the project.

§42-341. Development Plans

- A. Plan Preparation. Development plans must be prepared in conformance with this subpart and development plan requirements provided by the Planning Department. Development plan(s) are required during review of all *major subdivisions*. The development plan may be submitted for the entire *subdivision* or any section thereof. The *applicant* shall submit two (2) full-sized copies, one (1) reduced-sized copy, and a digital copy of the development plan, at a scale appropriate to clearly depict the proposed project. Reduced size copies should be legible and reproducible. If a reduced size copy of the plan (no larger than 11 inches by 17 inches in size) cannot be provided, at least 4 large copies shall be submitted in its place. The development plan may consist of multiple sheets, if needed.
- B. Purpose of the Plan. A development plan is a graphic representation or map of the *tract* of land to be developed indicating all proposed divisions of land, their *uses*, improvements and other information as may be required to fully disclose the *applicant's* intentions. The purpose of the plan is to provide general and specific information and is not intended to be a recordable document.
- C. Review of the Plan. Upon approval of the master plan and the development plan of the first section of a *subdivision* by the reviewing agency, if successive sections are submitted for review (and (1) each substantially conforms with the master plan, (2) no new *lots* are created, and (3) all technical requirements and development standards have been met) the *Subdivision Administrator* may approve the development plans for all *major subdivisions* for successive sections administratively. Under such review, the action deadlines for the reviewing agency shall be the same for the *Subdivision Administrator*.
- D. Land Disturbing and Improvement Activities. The *applicant* may, only upon receipt of approval of the development plan proceed with the establishment of *erosion* and *sedimentation* control measures, clearing and other *land-disturbing activities* and improvement activities associated with the project.
- E. Approval Validity. Development plan approval is valid for two (2) years and shall be annotated on the plan. The approving agency may, for just cause, grant up to two (2) one-year extensions for development plan approval. If, at the completion of the first one-year extension period, less than 50 percent of improvements are complete, the *applicant* must reapply under the current applicable requirements. If more than 50 percent of improvements are complete after the one-year extension period, the *applicant* may apply for a single additional one-year extension and thereafter must reapply under current applicable requirements.

§42-342. Final Plat Review

- A. Final Plat Review for Minor, Special, and Nonstandard Subdivisions.

- (1) Approval Authority. *Subdivision Administrator*.
 - (2) Purpose. A *final plat* must be prepared and approved pursuant to this subpart and *final plat* requirements provided by the Planning Department, whenever a *subdivision* of land occurs.
 - (3) Staff Review. If the *subdivision* complies with the standards set forth herein the *Subdivision Administrator* shall provide approval in writing on the face of the *final plat* and shall retain a signed copy for departmental records. Once the *plat* has been approved, the *final plat* must be recorded within twelve (12) months from *Subdivision Administrator* approval.
- B. Final Plat Review for All Major Subdivisions.
- (1) Approval Authority. *Subdivision Administrator*.
 - (2) Purpose. A *final plat* must be prepared and approved pursuant to this subpart and *final plat* requirements provided by the Planning Department, whenever a *subdivision* of land occurs.
 - (3) Staff Review. The *Subdivision Administrator* shall review the *final plat* and determine its completeness, finding that the regulations of this Chapter that set forth specific standards have been met for *final plats*. The *Subdivision Administrator* shall review the *final plat* for conformance with all applicable standards and conformance to any associated master plans and development plans. The *final plat* may be approved administratively if the *plat* meets all requirements of the Chapter and satisfies all conditions imposed by the reviewing agency. Upon approval, and before any *lots* are transferred, the *applicant* shall record the *final plat* at the office of the Register of Deeds within twelve (12) months from *Subdivision Administrator* approval. Incidental changes to the *final plat*, which do not in any way affect the character of the development, may be submitted prior to, or after, recordation and may be approved for re-recordation by the *Subdivision Administrator*. No *lots* governed by this Chapter may be conveyed until a *final plat* is approved and recorded in the office of the Register of Deeds of Henderson County.

Subpart D. Amendment Processes

§42-343. General

Amendment requests/applications may run concurrently with permit applications, *site plan* review or other applications for approvals required for the particular development. Amendments to the *Comprehensive Plan* and this Chapter shall adhere to the applicable review and approval process as outlined in this Article.

§42-344. Comprehensive Plan Amendments

- A. Purpose. The Comprehensive Plan Amendment process is designed to allow for: (1) regularly scheduled amendment evaluation; (2) consistency in how amendments are handled; (3) the consideration of the current plan and the proposed amendment to the plan concurrently, with an evaluation of the consequences of each; (4) the consideration

of land *use* changes in a countywide context by simultaneous amendment review; (5) the separation of land *use* issues from specific zoning issues; (6) thorough staff and board analysis and evaluation; and (7) meaningful public input. All actions taken to amend, supplement, change or repeal the *Comprehensive Plan* shall follow the appropriate process as outlined below.

B. Administrative Amendments.

- (1) Approval Authority. Board of Commissioners.
- (2) Initiation. The Commissioners, County Manager, Planning Board and Planning Staff may submit *administrative amendments* to the *Planning Director*.
- (3) Staff Review. The *Planning Director* drafts submitted amendments and provides them to the County Manager for review, consideration and action by the Commissioners.
- (4) Review Schedule. As needed.
- (5) Public Hearing. See 42-370 (C).
- (6) Public Notification. See 42-370 (C).
- (7) Amendment Validity. The amendment is effective immediately following the decision of the Commissioners.

C. Substantive Amendments.

- (1) Approval Authority. Board of Commissioners
- (2) Initiation. The Commissioners, County Manager, Planning Board and *Planning Director* may initiate *substantive amendments*.
- (3) Review Schedule. Amendments shall be considered when initiated and in concurrence with rezoning applications. Other amendments shall be reviewed based on the following:
 - a. Five-Year Review. The *Comprehensive Plan* is subject to a review every five (5) years. Planning Staff prepares draft amendments and submits them to the Planning Board for initial review. Planning Staff distributes copies of the draft amendments widely, invites public comment, addresses received public comments and submits amendments as revised to the Planning Board for review and recommendation to the Commissioners. The Commissioners review and decide whether to adopt the amendments. The Commissioners may hold a public hearing or public input session. If the Commissioners direct that further modifications to the proposed amendments be made, and such modifications are deemed by the Commissioners to be significant, the modified proposal shall be resubmitted to the Planning Board for further review and recommendation before the Commissioners take action.
- (4) Public Hearing. See 42-370 (C).
- (5) Public Notification. See 42-370 (C).

- (6) Amendment Validity. The amendment is effective immediately following the decision of the Commissioners.

§42-345. Ordinance Amendments

A. Purpose. The regulations, restrictions and boundaries set forth in this Chapter may from time to time be amended, supplemented, changed or repealed by the Board of Commissioners. Prior to final action by the Commissioners under this Chapter, the Planning Board shall review the amendment and offer any comments or recommendations as appropriate. All actions to amend, supplement, change or repeal this Chapter shall follow the appropriate process as outlined below.

B. Text Amendments.

- (1) Initiation. The Commissioners, Planning Board, Zoning Board of Adjustment (*ZBA*), Water Quality Board and Flood Damage Prevention Board may initiate amendments to the text of this Chapter through adopted motion and submittal to the *Planning Director*. The County Manager, *Zoning Administrator*, *Planning Director*, or an affected *owner* of property in Henderson County may initiate an amendment to the text of this Chapter.
- (2) Application. Each *applicant* shall submit a copy of the proposed amendment which explains the purpose for the amendment to the *Planning Director*.
- (3) Staff Review. Planning Staff shall: (1) process and review the amendment request, (2) present the application to the Technical Review Committee (*TRC*) for its comments and recommendations, (3) forward the application on to the appropriate departments and agencies for their review, and (4) prepare a recommendation on the proposed amendment.
- (4) Formal Review. Prior to amending the text of this Chapter, the Commissioners shall consider the Planning Board’s recommendation which must be in writing and must address consistency with the *Comprehensive Plan* and any applicable adopted plan.
- (5) Public Hearing. Prior to amending the text of this Chapter the Commissioners shall hold a public hearing on the amendment in accordance with *NCGS* §160D-601, as amended (See §42-370 (Legislative Process Standards)).
- (6) Public Notification. Public notification of such hearing shall comply with the provisions of *NCGS* §160D-602, as amended (See §42-370 (Legislative Process Standards)). Planning Staff shall be responsible for all necessary public notifications.
- (7) Amendment Validity. The amendment is effective immediately following the decision of the Commissioners. The Commissioners shall issue a written statement on all *text amendment* decisions addressing reasonableness, consistency with the *Comprehensive Plan*, and public interests furthered.

C. Map Amendments.

- (1) Initiation. The Commissioners, Planning Board, *ZBA*, Water Quality Board and Flood Damage Prevention Board may initiate amendments to the Official Zoning

Map through the adoption of a motion. The County Manager, *Planning Director*, *Zoning Administrator* and any County Department Director/Head may initiate an amendment to the *zoning map*. A property *owner* may initiate an amendment to the Official Zoning Map on property that he/she owns, but may not initiate a *map amendment* on another individual's property without that property *owner's* consent.

(2) Application.

- a. Pre-application Conference. Each *applicant* for an amendment shall meet with Planning Staff in a pre-application conference at least 15 days prior to the application submission deadline. The purposes of this conference are to provide information to the *applicant* regarding the review process and assist in the preparation of the application.
- b. Application. Each *applicant* for an amendment shall submit the application to the Planning Department on or before the first business day of the month. The application shall include: (1) the name(s) and address(es) of the *owner(s)* of the property in question; (2) the location of the property; (3) the *PIN* as shown on the County tax listing; (4) a description/statement of the present and proposed district; (5) a description of the property in question sufficient to unequivocally describe and identify said property (such description may take the form of a property survey, a legal description or a legible copy of a County cadastral or composite tax map clearly annotated with district lines which follow political boundaries, geographical features or property lines); and where an *applicant* chooses to appoint an agent to speak on their behalf, (6) an agent form. Planning Staff may modify applications as necessary. Incomplete applications must be resubmitted on or before the first business day of the month or will not be processed until the proceeding month.
- c. Review Schedule. Applications for amendments shall have a 45 day processing period for review by Planning Staff before the first consideration by the Planning Board. Applications involving more than one (1) parcel not under common ownership by the *applicant* shall be forwarded to the Planning Board at its first regularly scheduled monthly meeting. (The Planning Board will review the application and determine if it should proceed or, due to the size of the area, number of parcels or number of property *owners*, if the scope of the application will require a *Small Area Zoning Study*. If the Planning Board agrees that the application calls for a *Small Area Zoning Study*, then the application will be tabled and the request is forwarded to the Commissioners for direction on how to proceed with the amendment application).
- d. Withdrawal of Application. This includes applications for the same requested zoning district or for the same use or substantial similar use under a conditional zoning request.

- A. 1st Withdrawal. Each application for an amendment withdrawn by the *applicant* after the first newspaper notice appears, shall not reapply for a *map amendment* within the following six (6) months.
 - B. 2nd Withdrawal. Each application for an amendment withdrawn by the applicant after the first newspaper notice appears, shall not reapply for a *map amendment* within the following eighteen (18) months.
- e. Application Resubmittal.
- A. Resubmittal of Any Application. The Planning Board and the Commissioners will not consider an application by a property *owner* or *owner's* agent, that is for the same requested zoning district or for the same use under a conditional zoning request when, within the previous 12 months, the *map amendment* request was denied by the Commissioners.
 - B. Resubmittal of Application After County Initiated Rezoning/Small Area Zoning Study. Applications for *map amendments* located in an area that is currently undergoing or (within the previous 12 months) has completed a County Initiated Rezoning or Small Area Zoning Study, shall not be considered by the Planning Board or the Commissioners unless the *Planning Director* initiates such application.
- f. Fees. Any review fee established by the Commissioners shall be submitted with the application.
- (3) Staff Review. Planning Staff: (1) shall process and review the amendment request, (2) shall present the application to the *TRC* for its comments and recommendations, (3) may forward the application to the appropriate departments and agencies for their review, and (4) shall prepare a recommendation on the proposed amendment.
 - (4) Formal Review. Prior to amending the Official Zoning Map, the Commissioners shall consider the Planning Board's recommendation which must be in writing and must address consistency with the *Comprehensive Plan* and any applicable adopted plan. The Planning Board shall have 45 days after the first consideration of an application for an amendment to submit its written recommendation to the Commissioners. Failure of the Planning Board to submit a written recommendation within the 45 day period shall constitute a favorable recommendation, except that, if by agreement of the Planning Board and the *applicant* that 45 days is insufficient due to the size of the area, the complexity of the request or similar circumstances, the Planning Board shall have 60 days to submit its written recommendations. Time limitations shall not be applied to applications for amendments initiated by the Commissioners.
 - (5) Public Hearing. Prior to amending the *zoning map* the Commissioners shall hold a public hearing on the amendment in accordance with *NCGS §160D-601*, as amended (See §42-370 (Legislative Process Standards)).

- (6) Public Notification. Public notification of the Planning Board meeting shall comply with the provisions outlined in §42-370 (Legislative Process Standards) B(5) (Posted Notice), for posted notices. Mailed notification of the Planning Board meeting for *zoning map amendments* shall be sent to the *owner* of that parcel of land, and all parcels of land within four hundred (400) feet of any property line of the proposed development by first class mail to the address as show on the as shown on the County tax listing. Mailed notices must be deposited in the mail at least seven (7) days prior to the date of the meeting. Public notification of the Commissioners public hearing shall comply with the provisions of *NCGS* §160D-602, as amended, and additional provisions outlined in (§42-370 (Legislative Process Standards). Planning Staff shall be responsible for all necessary public notifications.
- (7) Amendment Validity. The amendment is effective immediately following the decision of the Commissioners. The Commissioners shall issue a written statement on all *map amendment* decisions (both adoptions and rejections) addressing reasonableness, consistency with the *Comprehensive Plan*, and public interests furthered.

D. Water Supply Watershed Regulation Text and/or Map Amendments.

- (1) Initiation. The Commissioners may initiate amendments to the text of this Chapter related to the *watershed* and amendments to the *Watershed Map* through adopted motion and submittal to the *Planning Director*.
- (2) Application, Formal Review, Public Hearing and Public Notification. An amendment to the text of this Chapter related to the *water supply watershed* shall adhere to the review and approval process for *Text Amendments* (see §42-345 (Ordinance Amendments) subsection B (excluding (1) “Initiation”)). An amendment to the *watershed* map shall adhere to the review and approval process for *Map Amendments* (see §42-345 (Ordinance Amendments) subsection C (excluding (1) “Initiation”)). The Commissioners may incorporate the minimum requirements of the *NCEMC* into this Chapter without undertaking the official amendment processes; this may include identifying the boundaries of *watershed* districts proposed by the *NCEMC* on the Watershed Protection Map and may include *text amendments* necessary to conform to the minimum requirements of the *NCEMC*.
- (3) Amendment Validity. The Commissioners may not adopt any amendment, supplement, change or modification that is less stringent than the minimum requirements imposed by the *NCEMC* without approval of said Commission. The amendment is effective immediately following the decision of the Commissioners. All amendments must be filed with the North Carolina Division of Environmental Management, North Carolina Division of Environmental Health and the North Carolina Division of Community Assistance.

Subpart E. Permit Approval Processes

§42-346. General

All permit applications shall include, at minimum: (1) the name(s) and address(es) of the *owner(s)* of the property in question; (2) the location of the property; (3) the *PIN* as shown on the County tax listing; (4) a description and/or statement of the present zoning district; (5) the appropriate level of *site plan*; and, where an *applicant* chooses to appoint an agent to speak on their behalf, (6) an agent form. Permit applications may run concurrently with *site plan* review, amendment requests or other applications for approvals required for the particular development. All permit applications shall adhere to the applicable review and approval process as outlined in this Article. Unless provided otherwise by this Chapter, all rights, privileges, benefits, burdens, and obligations created by development approvals made pursuant to this Chapter attach to and run with the land.

§42-347. Category One (1) or Two (2) Communication Facility Permits

- A. Purpose. Category One (1), or Two (2) *Communication Facility Permits* are required for any construction, alteration or expansion of a communication facility of these categories.
- B. Permit Issuance. The *Communication Facilities Administrator* shall issue permits. No permit shall be issued until a communication facility *site plan* has been reviewed and approved by the *Communication Facilities Administrator*. The permitting process for communication permits complies with *NCGS 160D-930*, including all federal and state requirements, and should be interpreted as such.
- C. Application.
 - (1) Pre-application Conference. Each *applicant* for a permit shall meet with the *Communication Facilities Administrator* in a pre-application conference prior to, or at the time of, the submittal of a request for approval of the communication facility. The purposes of this conference are to provide information to the *applicant* regarding the review process and assist in the preparation of the application.
 - (2) Application. Each application for a permit shall be submitted with a communication facility *site plan* to the *Communication Facilities Administrator*. The application shall be filed on a form provided by the *Communication Facilities Administrator*. The *applicant* shall be notified within 15 days if the application is deemed incomplete. A full description of deficiencies shall be identified for the applicant with the understanding that if these deficiencies are cured, the application will be deemed complete. Incomplete applications must be resubmitted within ten (10) business days or will not be processed until the following month. Applications may be modified by the *Communication Facilities Administrator* as necessary, who may require the *applicant* to supply additional information pertaining to the communication facility. Applications for a *Communication Facility Permit Two (2)* shall also include the following:
 - a. Statement Regarding Accommodation of Additional Users. A statement which indicates the number of additional users the proposed facility will accommodate, as signed and sealed by an active, registered North Carolina Professional Engineer.

- b. Statement Regarding Collocation. A written statement, by the *applicant*, which indicates willingness to allow future *collocations*, available at fair *market value*.
 - c. Evidence of Mailing of Notices of Intent. A document, submitted by the *applicant*, which shows that the *applicant* has sent required notices of intent to file an application for a *Communication Facility Permit Two (2)* to all *owners* of property immediately adjacent to the parcel containing the facility site and all *owners* of property within a 500 foot radius as measured from the facility site perimeter. *Mailed notices of intent* shall be mailed no fewer than ten (10) days and no more than 30 days prior to the date on which an application for a *Communication Facility Permit Three (3)* is filed. *Mailed notices of intent* shall include a: (1) vicinity map showing the proposed facility location; (2) sketch of the facility with dimensions which indicate the proposed tower type and height; and (3) statement from the *Communication Facilities Administrator* indicating the processes and procedures by which the communication facility may be permitted.
 - d. Evidence of Lack of Alternative Antenna Sites. A document, submitted by the *applicant*, which demonstrates that a reasonable effort has been made to collocate the proposed *antenna* on an existing communication facility/*alternative structure*, and that there are no feasible alternatives to constructing the proposed communication facility.
 - e. Evidence of Compliance with Regulations. Documentation, submitted by the *applicant*, which demonstrates compliance with all applicable state and federal statutes, ordinances and regulations which is satisfactory to the *Communication Facilities Administrator*.
 - f. Easement Acquisition Documents. Statements of intent, submitted by the *applicant*, from adjacent property *owners* (where any portion of said property is within a distance of the tower height from the tower base) to grant an *easement* to the *applicant*. Or the *applicant* can submit a *fall zone* letter, sealed by an engineer, identifying the towers specific fall radius. If *applicants* utilize the *fall zone letter* option, the *applicant* must also provide proof of liability insurance with a limit of liability of at least \$1 million by the owner of the Communication Facility and submit an as-built certification of the Communication Facility, showing that the Communication Facility was built in accord with the design as certified by the engineer, for permit closeout.
- (3) Review Schedule. None established.
 - (4) Fees. Any review fee established by the Commissioners shall be submitted with the application.
 - (5) Streamlined Collocation Process. Applications for collocation that meet the following requirements shall have a streamlined process.

- a. The collocation does not increase the overall height of the *communication tower* or wireless support structure to which the wireless facilities are attached;
- b. The collocation does not increase the ground space area approved in the *communication facility site plan* for equipment enclosures and ancillary facilities; and
- c. The wireless facilities in the proposed collocation comply with application regulations, restrictions, or conditions, if any applied to the initial wireless facilities placed on the *communication tower* or other wireless support structure.

Applications entitled to the streamlined process shall be reviewed for conformance with applicable building permit requirements, if any, but shall not otherwise be subject to zoning requirements, including design or placement requirements or public hearing review.

- D. Staff Review. The *Communication Facilities Administrator* shall process all applications for a permit and approve, approve conditionally or deny the approval of the application within 15 business days from the date the application is filed. If the permit application is denied, the *Communication Facilities Administrator* shall notify the *applicant* in writing stating the reasons for denial. Any denial shall be supported by substantial evidence and set forth reasons for denial with sufficient particularity that a reviewing authority may review the evidence supporting denial.
- E. Formal Review. None required.
- F. Permit Validity. Upon the issuance of a permit, the communication facility will be issued a Communication Facility Registration Number. The *applicant* shall have six (6) months from the date of issuance thereon to obtain a building permit or begin substantial construction work on the project. Failure to obtain a building permit or make substantial construction progress within six (6) months shall render the permit void. The *Communication Facilities Administrator* may grant a single extension of this time period of up to six (6) months upon submittal by the *applicant* of sufficient justification for the extension.

§42-348. Category Three (3) Communication Facility Permits

- A. Purpose. Category Three (3) *Communication Facility Permits* are required for any construction, alteration or expansion of a communication facility of this category.
- B. Permit Issuance. The Zoning Board of Adjustment (*ZBA*) shall grant the permit and the *Communication Facilities Administrator* shall issue permits. No permit shall be issued until a communication facility *site plan* has been reviewed and approved by the *Communication Facilities Administrator*. No *Communication Facility Permit Three (3)* shall be issued without the approval of the *ZBA* in accordance with the requirements and procedures set forth in this subsection. The permitting process for communication permits complies with *NCGS 160D-930*, including all federal and state requirements, and should be interpreted as such.
- C. Application.

- (1) Pre-application Conference. Each *applicant* for a permit shall meet with the *Communication Facilities Administrator* in a pre-application conference prior to, or at the time of, the submittal of a request for approval of the communication facility. The purposes of this conference are to provide information to the *applicant* regarding the review process and assist in the preparation of the application.
- (2) Application. Each application for a permit shall be submitted along with the appropriate fee(s), *site plan*, statements, evidences and *easement* acquisition documents to the *Communication Facilities Administrator*. Applications shall also include the following:
 - a. Statement Regarding Accommodation of Additional Users. A statement which indicates the number of additional users the proposed facility will accommodate, as signed and sealed by an active, registered North Carolina Professional Engineer.
 - b. Statement Regarding Collocation. A written statement, by the *applicant*, which indicates willingness to allow future *collocations*, available at fair *market value*.
 - c. Evidence of Mailing of Notices of Intent. A document, submitted by the *applicant*, which shows that the applicant has sent required notices of intent to file an application for a *Communication Facility Permit Three (3)* to all *owners* of property immediately adjacent to the parcel containing the facility site, and all *owners* of property within a 1,000 foot radius as measured from the facility site perimeter. *Mailed notices of intent* shall be mailed no fewer than ten (10) days and no more than 30 days prior to the date on which an application for a permit is filed. *Mailed notices of intent* shall include a: (1) vicinity map showing the proposed facility location; (2) sketch of the facility with dimensions which indicate the proposed tower type and height; and (3) statement from the *Communication Facilities Administrator* indicating the processes and procedures by which the communication facility may be permitted.
 - d. Evidence of Lack of Alternative Antenna Sites. A document, submitted by the *applicant*, which demonstrates that a reasonable effort has been made to collocate the proposed *antenna* on an existing communication facility/*alternative structure*, and that there are no feasible alternatives to constructing the proposed communication facility.
 - e. Evidence of Compliance with Regulations. Documentation, submitted by the *applicant*, which demonstrates compliance with all applicable state and federal statutes, ordinances and regulations which is satisfactory to the *Communication Facilities Administrator*.
 - f. Easement Acquisition Documents. Statements of intent, submitted by the *applicant*, from adjacent property *owners* (where any portion of said property is within a distance of the tower height from the tower base) to grant an *easement* to the *applicant*.

Applications may be modified by the *Communication Facilities Administrator* as necessary, who may require the *applicant* to supply additional information pertaining to the communication facility.

- (3) Review Schedule. As per NCGS §62A-42, a written decision approving or denying the application shall be given within 30 days in the case of collocation and modification applications, and within 45 days in the case of other applications. This time shall be measured from the date the application is deemed complete.
 - (4) Fees. Any review fee established by the Commissioners shall be submitted with the application.
- D. Staff Review. The *Communication Facilities Administrator* shall process and review all applications for a permit and prepare a staff recommendation for the *ZBA* on the permit application. An application shall be deemed complete unless the *applicant* is notified in writing within 15 days of submissions of the application. Specific deficiencies in the application must be identified and if cured the resubmission must be deemed complete.
 - E. Formal Review. Prior to taking any action on a permit, the *ZBA* shall consider the *Communication Facilities Administrator's* recommendation on the permit application.
 - F. Public Hearing. Prior to considering a *communication facility permit* application the *ZBA* shall hold a public hearing on the application in accordance with §42-371 (Quasi-Judicial Process Standards).
 - G. Public Notification. Public notification of such hearing shall comply with the provisions of §42-371 (Quasi-Judicial Process Standards). The *Communication Facilities Administrator* shall be responsible for all necessary public notifications.
 - H. Quasi-judicial Proceeding. The concurring vote of a majority of the *ZBA* shall be necessary to grant the permit. As per NCGS §62A-42, a written decision approving or denying the application shall be given within 30 days in the case of collocation and modification applications, and within 45 days in the case of other applications. This time shall be measured from the date the application is deemed complete.
 - (1) Standards of Review. The *ZBA* shall not approve a permit unless it makes written findings that the regulations of this Chapter that set forth specific standards for the communication facility have been met. Any approval or denial of the request must be in writing and be permanently filed with the office of the *ZBA* and with the *Communication Facilities Administrator* as a public record.
 - a. Any decision denying an application must be supported by substantial evidence in the record before the authority and must set forth the reasons for the denial with sufficient particularity to allow a reviewing entity to review the evidence supporting the reasons for denial.
 - b. An authority may deny an application to construct a new wireless support structure based upon an *applicant's* unwillingness to evaluate the reasonable feasibility of collocating new antennas and equipment on an existing structure within the *applicant's* search ring according to NCGS §62A-43

- (2) Conditions. The *ZBA* shall, in granting a permit, prescribe that required *easement* documents be recorded and copies of said recorded *easements* be submitted to the *Communication Facilities Administrator*.
- I. Permit Validity. Upon the approval of the *ZBA* and the submittal of recorded *easements*, the *Communication Facilities Administrator* may issue the permit and the required County Communication Facility Registration Number. The *applicant* shall have six (6) months from the date of issuance thereon to obtain a building permit or begin substantial construction work on the project. Failure to obtain a building permit or make substantial construction progress within six (6) months shall render the permit void. The *Communication Facilities Administrator* may grant a single extension of this time period of up to six (6) months upon submittal by the *applicant* of sufficient justification for the extension.
 - (1) Permit Revocation. The *Communication Facilities Administrator* and/or *ZBA* may revoke a permit for *violations* of any part of this Chapter. Failure to secure and record any of the required *easements* shall be grounds for revocation. If the *Communication Facilities Administrator* finds a communication facility to be in *violation*, he/she shall notify the *applicant* in writing, stating the specific *violations* and setting reasonable time limits for corrective actions and subsequent inspections. In the event that the *applicant* takes no action to correct *violations*, the *Communication Facilities Administrator* shall notify him/her, by certified mail, that the permit will be revoked at the close of ten (10) business days from the date of the written notice. Should the *applicant* correct the *violations* prior to the permit being revoked, he shall request that the *Communication Facilities Administrator* conduct an inspection. If the *Communication Facilities Administrator* finds that the communication facility is no longer in *violation*, he/she shall notify the *applicant* that the permit will continue to be valid. If the *violations* have not been remedied, the permit shall be revoked. Where use of a communication facility is discontinued, such notice of discontinuance shall be made in writing by the *applicant* and submitted to the *Communication Facilities Administrator*; further, where the *use* of the communication facility is discontinued for a 12 month period, such permit shall be revoked. Such revocation and the reasons for such shall be made in writing to the *applicant*.
 - (2) Implications of Revoked Permit. Where a permit has been revoked:
 - a. The operation of the communication facility shall be terminated, and the *use* may only be reinstated upon application as in the case of a new matter.
 - b. The *applicant* (facility *owner/operator* and/or site *owner*) shall not be allowed to *collocate* any additional communication facilities at that site, erect another communication facility or obtain any additional permits.
 - c. The facility *owner/operator* and/or site *owner* shall be jointly and severally responsible for the required removal of the communication facility within 180-days of receipt of written notification of *Communication Facility Permit Three (3)* revocation.

§42-349. Floodplain Development Permits

- A. Purpose. A Floodplain Development Permit shall be required for any new development in a *Special Flood Hazard Area (SFHA)*.
- B. Permit Issuance. The *Floodplain Administrator* shall issue Floodplain Development Permits.
- C. Application.
 - (1) Application. Application for a Floodplain Development Permit shall be made to the *Floodplain Administrator* prior to any development activities proposed to be located within an *SFHA*. The following items/information shall be presented to the *Floodplain Administrator* to apply for a Floodplain Development Permit:
 - a. A plot plan drawn to scale which shall include, but shall not be limited to, the following specific details of the proposed *floodplain* development:
 - 1. The nature, location, dimensions, and elevations of the area of development/disturbance; existing and proposed *structures*, utility systems, proposed grading/pavement areas, fill materials, storage areas, drainage facilities, and other proposed development;
 - 2. The boundary of the *Special Flood Hazard Area* as delineated on the *FIRM* or other flood map as determined in §42-232.2 (Basis for Establishing the Special Flood Hazard Areas), or a statement that the entire *lot* is within the *Special Flood Hazard Area*;
 - 3. *Flood zone(s)* designation of the proposed development area as determined on the *FIRM* or other flood map as determined in §42-232.2 (Basis for Establishing the Special Flood Hazard Areas); or a statement that the entire *lot* is within the *Special Flood Hazard Area*;
 - 4. The boundary of the *flood fringe* area, if any, as set out in the *FIRM*;
 - 5. The boundary of the *floodway(s)* or *non-encroachment area(s)* as determined in §42-232.2 (Basis for Establishing the Special Flood Hazard Areas);
 - 6. The *Base Flood Elevation (BFE)*, where provided, as set forth in §42-232.2 (Basis for Establishing the Special Flood Hazard Areas); §42-310 (Henderson County Floodplain Administrator) A (Powers and Duties Pursuant to this Chapter) (14), (17), and (18); §42-234.4 (Standards for Floodplains without Established Base Flood Elevations); and/or §42-234.5 (Standards for Riverine Floodplains with BFE Data but Without Established Floodways);
 - 7. The old and new location of any *watercourse* that will be altered or relocated as a result of the proposed development; and
 - 8. Certification of the plot plan by, or under the direct supervision of, a registered land surveyor or professional engineer.

- b. Proposed elevation, and method thereof, of all development within a *Special Flood Hazard Area* including but not limited to:
 - 1. Elevation in relation to *mean sea level* of the proposed reference level (including *basement*) of all *structures*;
 - 2. Elevation in relation to *mean sea level* to which any nonresidential *structure* in Zone AE, A or AO will be floodproofed; and
 - 3. Elevation in relation to *mean sea level* to which any proposed utility systems will be elevated or floodproofed;
- c. If *floodproofing*, a *Floodproofing Certificate* (*FEMA* Form 81-65) with supporting data, an operational plan, and an inspection and maintenance plan that include, but are not limited to, installation, exercise, and maintenance of floodproofing measures. Back-up plans from a registered professional engineer or architect certifying that the nonresidential floodproofed development will meet the floodproofing criteria in Article VIII (Natural Resources) Subpart A (Flood Damage Prevention) are also required.
- d. A Foundation Plan, drawn to scale, which shall include details of the proposed foundation system to ensure all provisions of Article VIII (Natural Resources) Subpart A (Flood Damage Prevention) are met. These details include but are not limited to:
 - 1. The proposed method of elevation, if applicable (i.e., fill, solid foundation perimeter wall, solid backfilled foundation, open foundation on columns/posts/piers/piles/*shear walls*); and
 - 2. Details of sufficient openings to facilitate automatic equalization of hydrostatic flood forces on walls in accordance with §42-234.2 (Specific Standards) D (Elevated Structures) (3) when solid foundation perimeter walls are used in Zones A, AO, and AE.
- e. Usage details of any enclosed space below the *lowest floor*.
- f. Plans and/or details for the protection of public utilities and facilities such as sewer, gas, electrical, and water systems to be located and constructed to minimize flood damage.
- g. Copies of all other Local, State and Federal permits required prior to Floodplain Development Permit issuance (*Wetlands*, Endangered Species, *Riparian Buffers*, Mining, etc.).
- h. Documentation for placement of *recreational vehicles* and/or *temporary structures* to ensure the provisions of §42-234.2 (Specific Standards) F (Recreational Vehicles) are met.
- i. Where the *base flood elevation* data is not provided, the application for a development permit must show construction of the *lowest floor* at least two (2) feet above the *highest adjacent grade*.

- j. A description of proposed *watercourse* alteration or relocation when applicable, including an engineering report on the effects of the proposed project on flood-carrying capacity of the *watercourse* and the effects to properties located both upstream and d downstream; and a map (if not shown on plot plan) showing the location of the proposed *watercourse* alteration or relocation.

(2) Certification Requirements.

a. Elevation Certificates.

1. An Elevation Certificate (*FEMA* Form 81-31) is required prior to the actual start of any *new construction*. It shall be the duty of the permit holder to submit to the *Floodplain Administrator* a certification of the elevation of the *reference level*, in relation to *mean sea level*. Elevation certification shall be prepared by, or under the direct supervision of, a professional land surveyor or professional engineer and certified by same. The *Floodplain Administrator* shall review the certificate data submitted. Deficiencies detected by such review shall be corrected by the permit holder prior to the beginning of construction. Failure to submit the certification or failure to make required corrections shall be cause to deny a Floodplain Development Permit.
2. An Elevation Certificate (*FEMA* Form 81-31) is required after the *reference level* is established. Within seven (7) calendar days of establishment of the *reference level* elevation, it shall be the duty of the permit holder to submit to the *Floodplain Administrator* a certification of the elevation of the *reference level*, in relation to *mean sea level*. Elevation certification shall be prepared by or under the direct supervision of, a professional land surveyor or professional engineer and certified by same. Any work done within the seven (7) day calendar period and prior to submission of the certification shall be at the permit holder's risk. The *Floodplain Administrator* shall review the certificate data submitted. Deficiencies detected by such review shall be corrected by the permit holder immediately and prior to further work being permitted to proceed. Failure to submit the certification or failure to make required corrections shall be cause to issue a *stop-work order* for the project.
3. A Final As-Built Elevation Certificate (*FEMA* Form 81-31) is required after construction is completed and prior to *Floodplain Development Certificate of Compliance/Occupancy* issuance. It shall be the duty of the permit holder to submit to the *Floodplain Administrator* a certification of final as-built construction of the elevation and all attendant utilities. Said elevation certification shall be prepared by, or under the direct supervision of, a registered land surveyor or professional engineer and certified by

same. The *Floodplain Administrator* shall review the certificate data submitted. Deficiencies detected by such review shall be corrected by the permit holder immediately and prior to *Floodplain Development Certificate of Compliance/Occupancy* issuance. In some instances, another certification may be required to certify corrected as-built construction. Failure to submit the certification or failure to make said corrections required shall be cause to withhold the issuance of a *Floodplain Development Certificate of Compliance/Occupancy*.

- b. Floodproofing Certificates. If nonresidential *floodproofing* is used to meet the *regulatory flood protection elevation* requirements, a Floodproofing Certificate (*FEMA* Form 81-65) with supporting data, an operational plan, and an inspection and maintenance plan are required prior to the actual start of any new construction. It shall be the duty of the permit holder to submit to the *Floodplain Administrator* a certification of the floodproofed design elevation of the *reference level* and all attendant utilities, in relation to *mean sea level*. Said *floodproofing* certification shall be prepared by or under the direct supervision of a professional engineer or architect and certified by same. The *Floodplain Administrator* shall review the certificate data, the operational plan, and the inspection and maintenance plan submitted. Deficiencies detected by such review shall be corrected by the *applicant* prior to Floodplain Development Permit approval. Failure to submit the certification or failure to make required corrections shall be cause to deny a Floodplain Development Permit. Failure to construct in accordance with the certified design shall be cause to withhold the issuance of a *Floodplain Development Certificate of Compliance/Occupancy*.
- c. Engineered Foundation Certificates. If a *manufactured/mobile home* is placed within Zone A, AO, or AE and the elevation of the chassis is above 36 inches in height, an engineered foundation certification is required per §42-234.2 (Specific Standards) B (Manufactured/Mobile Homes).
- d. Certification Exemptions. The following *structures*, if located within Zone A, AO, or AE are exempt from the elevation/*floodproofing* certification requirements specified in item C(1) and C(2) above:
 1. *Recreational Vehicles* meeting the requirements of §42-234.2 (Specific Standards) F (Recreational Vehicles)
 2. *Temporary structures* meeting requirements of §42-234.2 (Specific Standards) G (Temporary Nonresidential Structures); and
 3. *Accessory structures* less than 150 square feet meeting requirements of §42-234.2 (Specific Standards) H (Accessory Structures).

- (3) Fees. Any review fee established by the Commissioners shall be submitted with the application. The Board of Commissioners shall establish a Schedule of Fees,

charges and expenses, and a collection procedure, for permits, plan review, inspections, and other matters pertaining to Article VIII (Natural Resources) Subpart A (Flood Damage Prevention). No application for a permit or certificate shall be processed unless or until such fees, as established, and all estimated expenses have been paid in full, nor shall any action be taken on *appeals* before the Henderson County Flood Damage Prevention Board unless and until any fees and estimated expenses have been paid in full.

D. Permit Issuance. The Floodplain Development Permit shall include, but not be limited to:

- (1) A description of the development to be permitted under the Floodplain Development Permit issuance.
- (2) The *Special Flood Hazard Area determination* for the proposed development in accordance with available data specified in §42-232.2 (Basis for Establishing the Special Flood Hazard Areas).
- (3) The *Regulatory Flood Protection Elevation* required for the *reference level* and all attendant utilities.
- (4) The *Regulatory Flood Protection Elevation* required for the protection of all public utilities.
- (5) All certification submittal requirements with timelines.
- (6) A statement that no fill materials or other development shall encroach into the *floodway, non-encroachment area, or the flood fringe* area of any *watercourse*, if applicable, except as permitted in §42-234.1 (General Standards), or pursuant to a *Special Fill Permit* issued pursuant to §42-354 (Special Fill Permits).
- (7) The flood opening requirements, if in Zones A, AO, or AE.
- (8) A statement of limitations of below *BFE* enclosure *uses* (if applicable), including but not limited to parking, *structure* access and limited storage only.

E. Permit Validity. A Floodplain Development Permit shall be construed as permission to proceed with work and not as authority to violate, cancel, alter, or set aside any of the provisions of Article VIII (Natural Resources) Subpart A (Flood Damage Prevention) or any regulations included by reference. Issuance of a permit shall not prevent the *Floodplain Administrator* from thereafter requiring correction of errors in plans or construction, or *violations* of Article VIII (Natural Resources) Subpart A (Flood Damage Prevention).

- (1) Permit Revocation. The *Floodplain Administrator* may revoke and require the return of the Floodplain Development Permit by notifying the permit holder in writing stating the reason(s) for the revocation. Permits shall be revoked for any substantial departure from the approved application, plans, and specifications; for refusal or failure to comply with the requirements of State or local laws; or for false statements or misrepresentations made in securing the permit. Any Floodplain Development Permit mistakenly issued in *violation* of an applicable State or local law may also be revoked.

§42-350. Manufactured Home Park (MHP) Construction Permits.

- A. Purpose. *Manufactured Home Park (MHP)* Construction Permits are required for any construction, alteration or expansion of an *MHP*.
- B. Permit Issuance. The *MHP Administrator* shall issue the permit. No permit shall be issued until the *MHP Site Plan* has been reviewed and approved by the Technical Review Committee (*TRC*).
- C. Application.
 - (1) Pre-application Conference. Each *applicant* for a permit shall meet with the *MHP Administrator* in a pre-application conference prior to, or at the time of, the submittal of a request for approval of the *MHP*. The purposes of this conference are to provide information to the *applicant* regarding the review process and assist in the preparation of the application.
 - (2) Application. Each application for a permit shall be submitted along with the appropriate fee(s) and *site plan*, to the *MHP Administrator*. Applications may be modified by the *MHP Administrator* as necessary, who may require the *applicant* to supply additional information pertaining to the *MHP*.
 - (3) Review Schedule. Applications shall be submitted on or before the date required by the Planning Department for review of the *MHP Site Plan* at the meeting of the *TRC*.
 - (4) Fees. Any review fee established by the Commissioners shall be submitted with the application.
- D. Staff Review. Provided the *MHP Site Plan* is approved by the *TRC*, the *MHP Administrator* shall approve the application, noting any site improvements that must be made prior to the issuance of an *MHP* Completion of Improvements (COI) Permit (see §42-351 (MHP COI Permits)). Site improvements required prior to the issuance of a COI may include: *buffers, internal roads, vertical clearance on roads, driveways, parking, erosion and sedimentation controls, stormwater drainage, culverts, sewage disposal systems, water supply systems, fire protection, solid waste disposal areas, electrical hookup and/or MHP identification signs.*
- E. Formal Review. None required.
- F. Permit Validity. Upon the issuance of a permit, the *applicant* shall have two (2) years to complete construction of site improvements as stated in such permit for the *MHP* or *phase* thereof, except as otherwise noted below. The *MHP Administrator* may grant a single extension of this time period of up to six (6) months upon submittal by the *applicant* of sufficient justification for this extension.

§42-351. Manufactured Home Park (MHP) Completion of Improvements (COI) Permits.

- A. Purpose. Completion of Improvements (COI) Permits are required for the leasing of spaces and/or the ability to obtain set-up and building permits for *manufactured/mobile homes* and other *structures* within a *Manufactured Home Park (MHP)*.
- B. Permit Issuance. The *MHP Administrator* shall issue the permit. No permit shall be issued until the *MHP Site Plan* (see §42-328 (Manufactured Home Park Site Plan Review)) has been reviewed and approved by the Technical Review Committee (*TRC*)

through the issuance of an *MHP* construction permit by the *MHP Administrator* (see §42-350 (MHP Construction Permits)).

C. Application

- (1) Pre-Application Conference. None required.
- (2) Application. Each application for a permit shall be submitted, along with the appropriate fee(s) and *site plan*, to the *Manufactured Home Park Administrator*. Applications shall additionally include one (1) as-built drawing (at a scale of one (1) inch equals 100 feet) of the completed *MHP* or *phase* thereof. Applications may be modified by the *MHP Administrator* as necessary, who may require the *applicant* to supply additional information pertaining to the *MHP*. If the application is found to be incomplete, the *MHP Administrator* shall notify the *applicant* of any deficiencies.
- (3) Review Schedule. Applications shall only be accepted when site improvements for the *MHP* or *phase* thereof are complete and the *applicant* has provided evidence that property addresses have been assigned to each *manufactured/mobile home* and any other *structures*.
- (4) Fees. Any review fee established by the Commissioners shall be submitted with the application.

D. Staff Review. The *MHP Administrator* shall process and review all applications for the permit after submitted. The *MHP Administrator* shall: (1) make an inspection of the *MHP* to ensure compliance with this Chapter; (2) verify that required site improvements as listed on the *MHP* construction permit (see §42-350 (MHP Construction Permits)) have been made; and, if the inspection shows the *MHP* adheres to those standards outlined in the *MHP Site Plan* and contains all site improvements required by the *MHP* construction permit, and (3) approve the application.

E. Formal Review. None required.

F. Permit Validity. Upon the issuance of a permit, the *applicant* shall have the ability to lease spaces and/or the ability to obtain set-up and building permits for *manufactured/mobile homes* and other *buildings* within the *MHP*. The permit may be reinstated if the *MHP applicant* applies to the *MHP Administrator* and the *MHP Administrator* finds that the *MHP* is in compliance with the requirements of this Chapter.

- (1) Permit Revocation. The *MHP Administrator* may revoke a permit for *violations* of any part of this Chapter, except for those regulated by the Health, Inspections or Solid Waste Departments. In these cases, the *MHP Administrator* shall work with the other departments regarding the revocation of a permit. If the *MHP Administrator* finds a *MHP* to be in *violation*, he shall notify the *applicant* in writing, stating the specific *violations* and setting reasonable time limits for corrective actions and subsequent inspections. In the event that the *applicant* takes no action to correct *violations*, the *MHP Administrator* shall notify him/her, by certified mail, that the permit for the *MHP* will be revoked at the close of ten (10) business days from the date of the written notice. Should the *applicant* correct the *violations* prior to the permit being revoked, he shall request that the *MHP Administrator* conduct an inspection. If the *MHP Administrator* finds that the

MHP is no longer in *violation*, he/she shall notify the *applicant* that the permit will continue to be valid. If the *violations* have not been remedied, the permit shall be revoked. Such revocation and the reasons for such shall be made in writing to the *MHP applicant*.

- (2) Implications of Revoked Permit. Where a permit has been revoked, the *applicant* shall:
- a. Not rent or lease any vacant spaces until the *violations* have been corrected and the permit is reinstated; and
 - b. Notify each renter/lessee of a space within the *MHP* within ten (10) days after receiving written notification that the permit has been revoked. The *applicant* shall provide the *MHP Administrator* with a signed statement from each renter/lessee indicating that notice from the *applicant* has been received. Any lease that is renewed after revocation of the permit shall be at the renter's/lessee's own risk.

§42-352. Sign Permits

- A. Purpose. Sign Permits are required for the erection, movement, *addition* to or structural alteration of any *sign* not exempt by this Chapter.
- B. Permit Issuance. The *Zoning Administrator* shall issue the permit.
- C. Application.
 - (1) Pre-application Conference. None required.
 - (2) Application. Each application for a permit shall be filed on a form provided by the *Zoning Administrator*. Applications shall additionally include the following: (1) location of the *sign* on the *lot* in relation to the property lines and any existing or proposed *signs* or *structures*; (2) *sign* structural specifications; and (3) additional information needed to determine if the *sign* will be erected in conformance with this Chapter. Applications may be modified by the *Zoning Administrator* as necessary, who may require the *applicant* to supply additional information.
 - (3) Review Schedule. None established.
 - (4) Fees. Any review fee established by the Commissioners shall be submitted with the application.
- D. Staff Review. The *Zoning Administrator* shall process and review all applications for a permit. If the application is found to be incomplete, the *Zoning Administrator* shall notify the *applicant* of any deficiencies. The *Zoning Administrator* shall approve, approve conditionally or deny the approval of the application.
- E. Permit Validity. Upon the issuance of a permit, the *applicant* shall have six (6) months from the date of issuance thereon to begin erecting the *sign*. Failure to make construction progress within six (6) months shall render the permit void. The *Zoning Administrator* may grant a single extension of this time period of up to six (6) months upon submittal by the *applicant* of sufficient justification for the extension.

§42-353. Soil Erosion and Sedimentation Control Permits (See §42-256 (Erosion and Sedimentation Control Plans))

§42-354. Special Fill Permits

A. Purpose. *Special Fill Permits* in the *special flood hazard area* may be granted by the Board of Commissioners only in Conditional Zoning Districts where particular cases meeting specific community need and subject to appropriate conditions and safeguards.

- (1) Proposed *encroachment* would not result in any increase in the flood levels during the occurrence of the *base flood*; and,
- (2) *Special Fill Permit*, if granted will result in no net decrease in flood storage capacity on the parcel upon which the fill is proposed; and,
- (3) Proposed *encroachment* will not violate any other Federal, State or Henderson County laws, rules, ordinances, or regulations; and,
- (4) *Special Fill Permit*, if granted, will comply with the *Comprehensive Plan*, and that, if granted, it will advance a public or community purpose, and that such purpose is sufficiently substantial to justify issuance of the *Special Fill Permit*.

Any grant of a *Special Fill Permit* by the Board of Commissioners may include conditions, which must be satisfied by the *applicant*. These conditions must be based on evidence presented at the hearing, and must be related to increasing the flood-control capabilities of the parcel for which the fill permit is sought.

B. Permit Issuance. The Board of Commissioners shall have the power to grant permits for special fill in the *special flood hazard area*. In order to grant a *Special Fill Permit*, the Board of Commissioners must conclude that the application meets the requirements under §42-354.

C. Application.

- (1) Application. The application for the permit shall be on a form provided by the *Floodplain Administrator*, and shall be submitted prior to any fill activity requiring a *Special Fill Permit*. The application shall include the following:
 - a. Certification, on a form as published by *FEMA*, or acceptable alternative form approved by *FEMA*, of hydrological and hydraulic analyses, performed in accordance with standard engineering practice, that the proposed *encroachment* would not result in any increase in the flood levels during the occurrence of the *base flood*; or
 - b. Technical documentation in the form of hydraulic analysis of the existing and proposed conditions. This documentation shall be either: complete runs of existing and proposed conditions using the HEC II/HEC-RAS step backwater analysis computer program as prepared by the US Army Corp. of Engineers for the analysis of flow plan hydraulics; or
 - c. An alternative method currently approved by *FEMA* for use in the revision process for *FEMA* flood maps. In this case, the engineer shall provide a letter from *FEMA* indicating that the method used is acceptable; and,

- d. Any other technical documentation in the form of detailed site and construction plans, showing that all requirements of Article VIII (Natural Resources) Subpart A (Flood Damage Prevention) are met.
 - e. The application shall also include certification of hydrological and hydraulic analyses, performed in accordance with standard engineering practice, demonstrating that the *Special Fill Permit*, if granted, will result in no net decrease in flood storage capacity on the parcel upon which the fill is proposed.
 - f. The application shall include information demonstrating compliance with the *Comprehensive Plan*, and demonstrating the substantial public or community purpose(s) which the *Special Fill Permit*, if granted, will advance. Examples of substantial public or community purpose(s) advanced by the *Special Fill Permit*, if granted, which must be demonstrated include:
 - 1. Advancing a governmental purpose, which includes promoting and preserving *use* of land for *agriculture*.
 - 2. Meeting public infrastructure needs.
 - 3. Projects which fall under the Board of Commissioners' Economic Incentives Guidelines.
 - 4. Redevelopment projects which have the effect of substantially increasing the flood-control capabilities of the parcel.
 - g. A complete listing of the names and mailing addresses of all *owners* of real property adjacent to the parcel upon which the *Special Fill Permit* is proposed.
- (2) Fees. Any review fee established by the Commissioners shall be submitted with the application. The Board of Commissioners shall establish a Schedule of Fees, charges and expenses, and a collection procedure, for permits, plan review, inspections, and other matters pertaining to Article VIII (Natural Resources) Subpart A (Flood Damage Prevention). No application for a permit or certificate shall be processed unless or until such fees, as established, and all estimated expenses have been paid in full.
- D. Staff Review. The *Floodplain Administrator* shall review the application for compliance with Article VIII (Natural Resources) Subpart A (Flood Damage Prevention) and transmit the application to Federal, State and local agencies for review and comment. The *Floodplain Administrator* shall place the application on the agenda of the first regular Planning Board meeting after at least 30 days from the receipt of a complete application.
- E. Formal Review.
- (1) Henderson County Planning Board Review and Recommendation. The review by the Planning Board shall be legislative in nature.

- a. Public notification of the Planning Board meeting shall comply with the provisions of §42-370 (Legislative Process Standards). The *Floodplain Administrator* shall be responsible for all necessary public notifications.
- b. The Planning Board shall hear a summary and review of the application by the *Floodplain Administrator*, evidence as presented by the *applicant*, and such other evidence as the Planning Board may find useful.
- c. The Planning Board shall, within 60 days of the date the application is first considered by the Planning Board, issue its recommendation to the Board of Commissioners as to the grant or denial of the application.

(2) Board of Commissioners Public Hearing. The Board of Commissioners shall hold a legislative public hearing that complies with the provisions of §42-370 (Legislative Process Standards).

- a. Public notification of the Board of Commissioners meeting shall comply with the provisions of §42-370 (Legislative Process Standards). The *Floodplain Administrator* shall be responsible for all necessary public notifications.
- b. The Board of Commissioners shall consider a summary of the proposed project from the *Floodplain Administrator*, evidence in support of the project and concerning the issues upon which proof must be submitted under Article VIII (Natural Resources) Subpart A (Flood Damage Prevention) from the *applicant*, evidence from adjacent property *owners*, and such other evidence as the Board of Commissioners finds useful.
- c. The Board of Commissioners shall reach a decision within 45 days of the conclusion of the legislative hearing.

F. Permit Validity. A *Special Fill Permit* shall be construed as permission to proceed with work and not as authority to violate, cancel, alter, or set aside any of the provisions of Article VIII (Natural Resources) Subpart A (Flood Damage Prevention) or any regulations included by reference. Issuance of a permit shall not prevent the *Floodplain Administrator* from thereafter requiring correction of errors in plans or construction, or *violations* of Article VIII (Natural Resources) Subpart A (Flood Damage Prevention).

§42-355. Special Use Permits

- A. Purpose. *Special Use Permits* are required where individual consideration of location, design, configuration and/or operation of a *use* at a proposed site are necessary to ensure site appropriateness, compatibility with surrounding *uses* and the protection of the public health, safety and welfare. Development standards shall be used as the basis for developing conditions for a permit; however, individualized conditions may also be imposed throughout the application process. Any *use* identified which requires a permit shall not be permitted without the approval of the Zoning Board of Adjustment (*ZBA*) in accordance with the requirements and procedures set forth in this subsection.
- B. Permit Issuance. The *ZBA* shall grant permits. The *Zoning Administrator* shall issue permits.
- C. Application.

- (1) Pre-application Conference. Each *applicant* for a permit shall meet with the *Zoning Administrator* in a pre-application conference no later than two (2) calendar weeks prior to the date the application is due. The purposes of this conference are to provide information to the *applicant* regarding the review process and assist in the preparation of the application.
 - (2) Application. Each application for a permit shall be submitted along with the appropriate fee(s) and *site plan*, to the *Zoning Administrator* on or before the first business day of the month. Applications may be modified by *Zoning Administrator* as necessary, who may require the *applicant* to supply additional information pertaining to the permit. Incomplete applications must be resubmitted on or before the first business day of the month or will not be processed until the following month.
 - (3) Review Schedule. Applications for a permit have a 60 day processing period for notification requirements and review by the *Zoning Administrator* and Technical Review Committee (*TRC*) prior to the public hearing.
 - (4) Fees. Any review fee established by the Board of Commissioners shall be submitted with the application.
- D. Staff Review. Code Enforcement Services Staff shall: (1) process and review all applications for a permit; (2) present the application to the *TRC* for its comments and recommendations; (3) forward the application on to the appropriate departments and agencies for their review; and (4) prepare a staff recommendation for the *ZBA* on the permit application.
- E. Formal Review. Prior to taking any action on a permit, the *ZBA* shall consider the *Zoning Administrator's* recommendation on the permit application.
- F. Public Hearing. Prior to considering a permit application the *ZBA* shall hold a public hearing on the application in accordance with §42-371 (Quasi-Judicial Process Standards).
- G. Public Notification. Public notification of such hearing shall comply with the provisions of §42-371 (Quasi-Judicial Process Standards). The *Zoning Administrator* shall be responsible for all necessary public notifications.
- H. Quasi-judicial Proceeding. The concurring vote of the majority of the members of the *ZBA* shall be necessary to grant the permit. Vacant seats and disqualified members are not counted in computing the simple majority. Any approval or denial of the request must be in writing and be permanently filed with the office of the *ZBA* and with the *Zoning Administrator* as a public record.
- (1) Standards of Review. The *ZBA* shall not approve a permit unless it makes written findings that the regulations of this Chapter that set forth specific standards for the *use* have been met. The *ZBA* may consider the type of *use*, size of the *use*, size of the property and other relevant factors in evaluating the permit application. The *applicant* will not bear the burden of proving that all of the site standards (as listed below) have been met; however, the *applicant* will be required to produce evidence sufficient to rebut any evidence presented that the site standards would

not be met or that a condition is necessary. The *applicant* may be required, in his/her rebuttal, to show that the proposed *use* will:

- a. Not materially endanger the public health, safety or welfare;
- b. Not substantially injure the value of property or improvements in the area; and
- c. Be in harmony with the surrounding area.

Additionally the *applicant* may be required, in his/her rebuttal, to show that the proposed *use* shall be located and developed in such a manner as to:

- a. Comply with all applicable local, state and federal statutes, ordinances and regulations;
- b. Be in accordance with the *Comprehensive Plan*, Long Range Transportation Plans and Comprehensive Transportation Plans of the County and/or Long Range Transportation Plans and Comprehensive Transportation Plans of any municipality of the County;
- c. Minimize the effects of noise, glare, dust, solar access and odor on those *persons* residing or working in the *neighborhood* of the proposed *use*; and
- d. Minimize the environmental impacts on the *neighborhood* including the following groundwater, surface water, *wetlands*, endangered/threatened species, archeological sites, historic preservation sites and *unique natural areas*.

Finally, the *applicant* may be required, in his/her rebuttal, to show that satisfactory provision/arrangement has been made (where applicable or required) concerning:

- a. Ingress and egress to property and proposed *structures* thereon (with particular reference to automotive/pedestrian safety/convenience and traffic flow/control);
- b. Off-street parking and loading areas;
- c. Utilities (with particular reference to locations, availability and compatibility);
- d. Buffering and landscaping (with particular reference to type, location and dimensions); and
- e. *Structures* (with particular reference to location, size and *use*).

- (2) Conditions. The *ZBA* may, in granting a permit, prescribe: (1) additional conditions; (2) additional safeguards; (3) a time limit within which the *use* shall be begun; and/or (4) a time limit within which a *use* shall be completed. Conditions imposed by the *ZBA* must fall within the prescribed statutory authority as described in this Chapter. Only those conditions mutually approved by the *ZBA* and *applicant* may be incorporated into the permit through written consent.

- I. Permit Validity. Upon the issuance of a permit a signed order detailing the conditions of the permit shall be submitted to the *Zoning Administrator*. The *Zoning Administrator* may then issue related permits once the *applicant* records the *special use permit* with the Register of Deeds.
 - (1) Permit Revocation. The *Zoning Administrator* and/or *ZBA* may revoke a permit if, at any time after the issuance of the permit, it is found that the conditions imposed on/agreements made with the *applicant* have not been or are not being fulfilled by the holder of the permit.
 - (2) Implications of Revoked Permit. Where a permit has been revoked the operation of such *use* shall be terminated and the *use* may only be reinstated upon application as in the case of a new matter.

§42-356. Stormwater Management Permits

- A. Purpose. A Stormwater Management Permit is required for all *development* and *redevelopment* unless exempt pursuant to Article VIII (Natural Resources) Subpart B (Water Quality).
- B. Permit Issuance. A Stormwater Management Permit may only be issued subsequent to a properly submitted and reviewed Stormwater Management Permit application, pursuant to this section.
- C. Application.
 - (1) Concept Plan and Consultation Meeting. The *Water Quality Administrator* or developer may request a consultation on a concept plan for the post-construction *stormwater* management system to be utilized in the proposed development project. This consultation meeting should take place at the time of *subdivision development plan* pre-application, site plan development, or other early step in the development process. The purpose of this meeting is to discuss the post-construction *stormwater* management measures necessary for the proposed project, as well as to discuss and assess constraints, opportunities and potential approaches to *stormwater* management designs before formal site design engineering is commenced. Local watershed plans and other relevant resource protection plans should be consulted in the discussion of the concept plan. The concept plan should be submitted in advance of the meeting and should include:
 - a. Existing Conditions/Proposed Site Plans. Existing conditions and proposed site layout sketch plans, which illustrate at a minimum: (1) existing and proposed topography; (2) perennial and intermittent streams; (3) mapping of predominant soils from soil surveys (if available); (4) boundaries of existing predominant vegetation; (5) proposed limits of clearing and grading; and (6) location of existing and proposed *roads, buildings, parking areas* and other impervious surfaces.
 - b. *Stormwater* Management System Concept Plan. A written or graphic concept plan of the proposed post-development *stormwater* management system including: (1) preliminary selection and location of proposed structural *stormwater* controls; (2) low-impact design elements; (3) location of existing and proposed conveyance systems such as grass

channels, swales, and storm drains; (4) flow paths; location of *floodplain/floodway* limits; (5) relationship of site to upstream and downstream properties and drainages; and (6) preliminary location of any proposed stream channel modifications, such as bridge or culvert crossings.

- (2) Application. All applications required pursuant to Article VIII (Natural Resources) Subpart B (Water Quality) shall be submitted to the *Water Quality Administrator* by the land *owner* or the land *owner's* duly authorized agent. Applications shall be submitted pursuant to the application submittal schedule in the form established by the *Water Quality Administrator*, along with the appropriate fee established by the Board of Commissioners pursuant to this section.

An application shall be considered as timely submitted only when it contains all elements of a complete application pursuant to Article VIII (Natural Resources) Subpart B (Water Quality), along with the appropriate fee. If the *Water Quality Administrator* finds that an application is incomplete, the *applicant* shall be notified of the deficient elements and shall be provided with an opportunity to submit a complete application. However, the submittal of an incomplete application shall not suffice to meet a deadline contained in the established submission schedule.

At a minimum, the Stormwater Management Permit application shall describe in detail how post-development *stormwater runoff* will be controlled and managed, the design of all *stormwater* facilities and practices, and how the proposed project will meet the requirements of Article VIII (Natural Resources) Subpart B (Water Quality). Plans shall be prepared by a qualified registered North Carolina professional engineer or landscape architect whom shall: (1) perform services only in their area of competence; (2) verify that the design of all *stormwater* management facilities and practices meets the submittal requirements for complete applications; (3) verify that the designs and plans are sufficient to comply with applicable standards and policies found in the *Design Manual*; and (4) verify the designs and plans ensure compliance with Article VIII (Natural Resources) Subpart B (Water Quality).

The submittal shall include all of the information required in the submittal checklist established by the *Water Quality Administrator*.

- D. Staff Review. The *Water Quality Administrator* shall review the application and determine whether the application complies with the standards of Article VIII (Natural Resources) Subpart B (Water Quality). The *Water Quality Administrator* may take the following action when reviewing an application:

- (1) Approval. The proposal complies with the standards of Article VIII (Natural Resources) Subpart B (Water Quality), and is approved.
- (2) Conditional Approval. The proposal exhibits only minor deficiencies with regard to Article VIII (Natural Resources) Subpart B (Water Quality), and is approved subject to the completion of certain conditions.

- (3) Fails to Comply. The proposal fails to comply with the standards of Article VIII (Natural Resources) Subpart B (Water Quality). The *Water Quality Administrator* shall notify the *applicant* and shall indicate how the application fails to comply. The *applicant* shall have an opportunity to submit a revised application. If a revised application is not re-submitted within 30 calendar days from the date the *applicant* was notified, the application shall be considered withdrawn, and a new submittal for the same or substantially the same project shall be required along with the appropriate fee for a new submittal.
- (4) Denial. The proposal cannot be approved as it exhibits deficiencies and/or is not in compliance with this Article VIII (Natural Resources) Subpart B (Water Quality) or other statutes, ordinances and regulations of the *County*.
- E. Effect of Permit. A *Stormwater* Management Permit shall govern the design, installation, and construction of *stormwater* management and control practices on the site, including *structural stormwater BMPs* and elements of site design for *stormwater* management other than *structural stormwater BMPs*.
- The permit is intended to provide a mechanism for the review, approval, and inspection of the approach to be used for the management and control of *stormwater* for the *development* or *redevelopment* site consistent with the requirements of Article VIII (Natural Resources) Subpart B (Water Quality), whether the approach consists of *structural stormwater BMPs* or other techniques such as low-impact or low-density design.
- F. Permit Validity. The permit does not continue in existence indefinitely after the completion of the project; rather, compliance after project construction is assured by the maintenance provisions of Article VIII (Natural Resources) Subpart B (Water Quality).
- An approved plan shall become null and void if the applicant fails to make *substantial progress* on the site within one (1) year after the date of approval. The *Water Quality Administrator* may grant a single, one-year extension of this time limit, for good cause shown, upon receiving a written request from the *applicant* before the expiration of the approved plan.
- In granting an extension, the *Water Quality Administrator* may require compliance with standards adopted since the original application was submitted unless there has been substantial reliance on the original permit and the change in standards would infringe the *applicant's* vested rights.
- G. Effect of Approval. Approval authorizes the *applicant* to go forward with only the specific plans and activities authorized in the permit. The approval shall not be construed to exempt the *applicant* from obtaining other applicable approvals from local, state, and federal authorities.
- H. As-Built Plans and Final Approval. Upon completion of a project, and before a certificate of occupancy shall be granted, the *applicant* shall certify that the completed project is in accordance with the approved *stormwater* management plans and designs, and shall submit actual “as built” plans for all *stormwater* management facilities or practices after final construction is completed.

The plans shall show the final design specifications for all *stormwater* management facilities and practices and the field location, size, depth, and planted vegetation of all measures, controls, and devices, as installed. The designer of the *stormwater* management measures and plans shall certify, under seal, that the as-built *stormwater* measures, controls, and devices are in compliance with the approved *stormwater* management plans and designs and with the requirements of this ordinance. A final inspection and approval by the *Water Quality Administrator* shall occur before the release of any performance securities.

- I. Exceptions. No certificate of compliance or occupancy shall be issued nor performance guarantees released without final as-built plans and final inspection by the *Water Quality Administrator*, except where multiple units are served by the *stormwater* practice or facilities in which case the Building Services Department may elect to withhold a percentage of permits or certificates of occupancy until as-built plans are submitted and final inspection and approval has occurred.

§42-357. Temporary Use Permits

- A. Purpose. *Temporary Use* Permits are required for (1) the erection of any *structure* for temporary purposes and (2) the expansion of or change in any *use* for temporary purposes.
- B. Permit Issuance. The *Zoning Administrator* shall issue permits. All permits shall be issued in conformity with the provisions of this Chapter, except where the *Zoning Administrator* receives a written order from (1) the Zoning Board of Adjustment (*ZBA*) in the form of an interpretation involving error, *special use* or *variance*; or (2) the Board of Commissioners in the form of the issuance of approval for a vested right. A *Temporary Use* Permit must be issued prior to the issuance of a building permit, which shall comply with the *Temporary Use* Permit and all conditions of approval attached thereto.
- C. Application.
 - (1) Pre-application Conference. None required.
 - (2) Application. Each application for a permit shall be filed on a form provided by the *Zoning Administrator*. Applications may be modified by the *Zoning Administrator* as necessary, who may require the *applicant* to supply additional information.
 - (3) Review Schedule. Applications for permits shall adhere to one (1) of two (2) review schedules based upon duration of the *temporary use*. The *Zoning Administrator* shall approve or deny a permit application: (1) within seven (7) business days for an application requesting duration of a *use* for no more than two (2) weeks; or (2) within 15 business days on all applications requesting duration of a *use* for more than two (2) weeks.
 - (4) Fees. Any review fee established by the Commissioners shall be submitted with the application.
- D. Staff Review. The *Zoning Administrator* shall process and review all applications for a permit. If the application is found to be incomplete, the *Zoning Administrator* shall notify the *applicant* of any deficiencies. Where the *Zoning Administrator* denies the permit, reasons for the denial shall be stated.

- E. Permit Validity. Upon the issuance of a permit, the *applicant* will be allowed the *temporary use* for the specified length of time on the specified dates. Permits shall not be issued for any duration to exceed two (2) years.

§42-358. Water Supply Watershed Use Permits

- A. Purpose. Water Supply Watershed Use Permits are required for: (1) the erection, movement, additional or structural alteration of any *structure*, (2) the expansion of or change in any *use* and (3) the change of any land surface to an *impervious surface*.
- B. Permit Issuance. The *Water Quality Administrator* shall issue permits.
- C. Application.
 - (1) Pre-application Conference. None required.
 - (2) Application. Each application for a permit shall be filed on a form provided by the *Water Quality Administrator*. Applications may be modified by the *Water Quality Administrator* as necessary, who may require the *applicant* to supply additional information.
 - (3) Review Schedule. None established.
 - (4) Fees. Any review fee established by the Board of Commissioners shall be submitted with the application.
- D. Staff Review. The *Water Quality Administrator* shall process and review all applications for a permit. If the application is found to be incomplete, the *Water Quality Administrator* shall notify the *applicant* of any deficiencies. The *Water Quality Administrator* may consult with qualified personnel for assistance to determine if the application meets the requirements of this Chapter. The *Water Quality Administrator*, for projects not involving some other form of review, shall approve, approve conditionally or deny the approval of the application. Where the *Water Quality Administrator* denies the permit, reasons for the denial shall be stated.
- E. Permit Validity. Upon the issuance of a Water Supply Watershed Use Permit, the *applicant* shall have six (6) months from the date of issuance thereon to obtain a building permit. Failure to obtain a building permit within six (6) months shall render the *Water Supply Watershed Use Permit* void. The *Water Quality Administrator* may grant a single extension of this time period of up to six (6) months upon submittal by the *applicant* of sufficient justification for the extension. A Water Supply Watershed Use Permit must be issued prior to the issuance of building permit, which shall comply with the Water Supply Watershed Use Permit and all conditions of approval attached thereto.
 - (1) Revocation of Water Supply Watershed Use Permits. *Violations* of the sections of this Chapter relating to *water supply watershed* protection may also constitute grounds for revocation of Water Supply Watershed Use Permits if such *violations* are not corrected within 30 days following notification of such *violations*. No such permit shall be reinstated until the *Water Quality Administrator* finds that all provisions of this Chapter relating to *water supply watershed* protection have been met. Any revocation may be appealed to the Water Supply Water Quality Board if filed within 30 days of the effective date of the revocation. Following a

hearing on the matter, the Water Supply Water Quality Board may concur with the revocation or order the reinstatement of the permit.

- F. Appeals. Questions arising in connection with the enforcement of this Chapter shall be presented first to the *Water Quality Administrator* and that such questions shall be presented to the Water Supply Water Quality Board only on *appeal* from the *Water Quality Administrator*.

§42-359. Watershed Protection Compliance Permits

- A. Purpose. Watershed Protection Compliance Permits are required for the ability to obtain occupancy of a *structure* hereafter erected, altered or moved and/or prior to the change of *use* of any *structure* or land in the *watershed*. The *Water Quality Administrator* shall issue a Watershed Protection Compliance Permit.
- B. Application.
- (1) Pre-Application Conference. No pre-application conference is required for a Watershed Protection Compliance Permit.
 - (2) Application. No formal application is required for a Watershed Protection Compliance Permit
 - (3) Review Schedule. Watershed protection compliance permit applications (where the water supply watershed use permit allowed for the erection, alteration or movement of a *structure*) will be approved or denied within ten (10) days of the erection, alteration or movement of said *structure* (upon the inspection by the *Water Quality Administrator*). *Watershed* protection compliance permit applications (where the *water supply watershed use* permit allowed for a change of *use*) will be approved or denied before the commencement of the *use*.
 - (4) Fees. Any review fee established by the Board of Commissioners shall be submitted with the application.
- C. Staff Review. The *Water Quality Administrator* shall process and review all applications for a Watershed Protection Compliance Permit (via the water supply watershed use permit process above). The *Water Quality Administrator* shall issue a Watershed Protection Compliance Permit certifying that all requirements of this Chapter have been met. If the Watershed Protection Compliance Permit is denied, the *Water Quality Administrator* shall notify the *applicant* in writing stating the reasons for denial.
- D. Permit Validity. Upon the issuance of a Watershed Protection Compliance Permit, the *applicant* shall have the ability to occupy and/or change the *use* of a *structure*. No *structure* which has been erected, moved or altered may be occupied until the *Water Quality Administrator* has approved and issued a Watershed Protection Compliance Permit.
- (1) Permit Revocation. *Violations* of the sections of this Chapter relating to *water supply watershed* protection may also constitute grounds for revocation of permits if such *violations* are not corrected within 30 days following notification of such *violations*. No such permit shall be reinstated until the *Water Quality Administrator* finds that all provisions of this Chapter relating to *water supply watershed* protection have been met. Any revocation may be *appealed* to the

Water Supply Water Quality Board if filed within 30 days of the effective date of the revocation. Following a hearing on the matter, the Water Supply Water Quality Board may concur with the revocation or order the reinstatement of the permit.

§42-360. Watershed High-Density Development Permit

- A. Purpose. A Watershed High-Density Development Permit shall be required for new *development* exceeding the requirements of the low-density option.
- B. Application.
- (1) Application. An application for a Watershed High-Density Development Permit shall be submitted to the *Water Quality Administrator* on the proper form and shall include the following information:
 - a. A completed application signed by the *owner* of the property or his/her authorized agent;
 - b. Two (2) reproducible copies of the *development plan* or *site plan* including information required by this Chapter and other documents as necessary concerning *built-upon area*;
 - c. Two (2) reproducible copies of the plans and specifications of the *stormwater control structure(s)* consistent with the requirements of this Chapter and the *Stormwater BMP Manual*; and
 - d. When required by law, written verification that a *soil erosion and sedimentation control plan* has been approved by the appropriate state or local agency.
 - (2) Review Schedule. The *Water Quality Administrator* shall process and take action on all applications for Watershed High-Density Development Permits within 65 days.
 - (3) Fees. Any review fee established by the Board of Commissioners shall be submitted with the application.
- C. Staff/Formal Review. Prior to taking final action on any application, the *Water Quality Administrator* may provide an opportunity to public agencies affected by the development proposal to review and make recommendations on the application. The *Water Quality Administrator* shall either approve or disapprove each application for a Watershed High-Density Development Permit based on the applicable criteria contained in this Chapter related to *water supply watershed* regulations.

If the *Water Quality Administrator* approves the application, such approval shall be indicated on the permit and both copies of the *site plan* and both copies of the plans and specifications of the *stormwater control structure*. A Watershed High Density Development Permit shall be issued after the *applicant* posts a performance bond acceptable security as required by Article VIII (Natural Resources) Subpart B (Water Quality) and executes an Operation and Maintenance Agreement as required by Article VIII (Natural Resources) Subpart B (Water Quality). A copy of the permit and one (1) copy of each set of plans shall be kept on file in the office of the *Water Quality*

Administrator. The original permit and one (1) copy of each set of plans shall be delivered to the *applicant* either by personal service or registered mail, return receipt requested.

If the *Water Quality Administrator* disapproves the application based on his/her findings, the reasons for such action shall be provided to the *applicant* in writing by mail, return receipt requested. The *applicant* may make changes and submit a revised plan which shall be considered as a new matter. All revisions shall be submitted, reviewed, and acted upon by the *Water Quality Administrator* pursuant to the procedures of this section.

§42-361. Zoning Permits

- A. Purpose. *Zoning Permits* are required for (1) the erection, movement, *addition* to or structural alteration of any *structure* and (2) the expansion of or change in any *use*.
- B. Permit Issuance. The *Zoning Administrator* shall issue permits. No *Zoning Permit* shall be issued until the appropriate *site plan* has been reviewed and approved by the appropriate staff or reviewing agency. All permits shall be issued in conformity with the provisions of this Chapter, except where the *Zoning Administrator* receives a written order from (1) the Zoning Board of Adjustment (*ZBA*) in the form of an interpretation involving error, *special use* or *variance*; or (2) the Board of Commissioners in the form of the issuance of approval for a vested right.
- C. Application.
 - (1) Pre-application Conference. None required.
 - (2) Application. Each application for a permit shall be filed on a form provided by the *Zoning Administrator*. Applications may be modified by the *Zoning Administrator* as necessary, who may require the *applicant* to supply additional information. Applications must be made by a person with a property interest in the property or a contract to purchase the property.
 - (3) Review Schedule. None established.
 - (4) Fees. Any review fee established by the Commissioners shall be submitted with the application.
- D. Staff Review. The *Zoning Administrator* shall process and review all applications for a permit. If the application is found to be incomplete, the *Zoning Administrator* shall notify the *applicant* of any deficiencies. The *Zoning Administrator*, for projects not involving some other form of review, shall approve, approve conditionally or deny the approval of the application. Where the *Zoning Administrator* denies the permit, reasons for the denial shall be stated. A *zoning permit* must be issued prior to the issuance of a building permit, which shall comply with the *zoning permit* and all conditions of approval attached thereto.
- E. Permit Validity. Upon the issuance of a permit through written or secure electronic form, the *applicant* shall have six (6) months from the date of issuance thereon to obtain a building permit or begin substantial construction work on the project. Failure to obtain a building permit or make substantial construction progress within six (6) months shall render the permit void. The *Zoning Administrator* may grant a single extension of this

time period of up to six (6) months upon submittal by the *applicant* of sufficient justification for the extension.

Subpart F. Vested Rights

§42-362. General

All requests for a Vested Right shall include, at minimum: (1) the name(s) and address(es) of the *owner(s)* of the property in question; (2) the location of the property; (3) the *PIN* as shown on the County tax listing; (4) a description and/or statement of the present zoning district; (5) the appropriate level of *site plan*; and, where an *applicant* chooses to appoint an agent to speak on their behalf, (6) an agent form. All Vested Right requests shall adhere to the review and approval process as outlined in this subpart.

§42-363. Vested Rights

- A. Purpose. A Vested Right is a right established pursuant to *NCGS* §160D-108 to undertake and complete the development and *use* of property under the terms and conditions of an approved *site-specific vesting plan*. Any request for a Vested Right shall be granted by the Zoning Board of Adjustment (*ZBA*) in accordance with the requirements and procedures set forth in this subsection.
- B. Application.
 - (1) Pre-application Conference. Each *applicant* for a Vested Right shall meet with the *Planning Director* prior to, or at the time of, the submittal of an application. The purposes of this conference are to provide additional information regarding the review process and assist in the preparation of the application.
 - (2) Application. Each application for a Vested Right shall be submitted along with the appropriate fee(s) and *site plan* to the Planning Department. Applications shall additionally include: (1) a letter indicating the intent to obtain a Vested Right for the particular *use* or development proposed and (2) a *site-specific vesting plan*. Applications may be modified by Planning Staff as necessary, who may require the *applicant* to supply additional information pertaining to the Vested Right.
 - (3) Review Schedule. Applications for a Vested Right have a 30 day processing period for notification requirements and review by Planning Staff (and, if necessary, the Technical Review Committee (*TRC*)) prior to the public hearing.
 - (4) Fees. Any review fee established by the Commissioners shall be submitted with the application.
- C. Staff Review. Planning Staff shall process and review all applications for a Vested Right. Planning Staff may present the application to the *TRC* for its comments and recommendations and may forward the application on to the appropriate departments and agencies for their review. Planning Staff shall prepare a staff recommendation for the *ZBA* on the vested right application.
- D. Public Hearing. Prior to considering a vested right application the *ZBA* shall hold a public hearing on the application in accordance with §42-371 (Quasi-Judicial Process Standards).

- E. Public Notification. Public notification of such hearing shall comply with the provisions of §42-371 (Quasi-Judicial Process Standards). Planning Staff shall be responsible for all necessary public notifications.
- F. Quasi-Judicial Proceeding.
- (1) Standards of Review. The *ZBA* shall grant a Vested Right upon finding that all provisions of this Chapter are met in the proposed *use* or development plan and that the granting of the Vested Right does not materially endanger the public health, safety and welfare. The *Zoning Administrator* is directed to issue all required permits subject to the changes in the *site plan* (see §42-363 (Vested Rights) subsection F(2)) to be made by the developer. A *variance* shall not constitute a *site-specific vesting plan* and approval of a *site-specific vesting plan* with the condition that a *variance* is obtained shall not confer a Vested Right unless and until the necessary *variance* is obtained.
 - (2) Conditions. The *ZBA* may approve a Vested Right request subject to conditions that are necessary to protect the public health, safety and welfare.
 - (3) Review. The *ZBA* shall reach a decision within 45 days of the conclusion of the Vested Rights hearing. The *ZBA* shall issue an order within 45 days of reaching its decision.
- G. Vested Right Validity. Upon the *ZBA* approving a *site-specific vesting plan*, there shall be a vest on such *site-specific vesting plan* for a period of two (2) years from the date of approval. *Multiphase developments* with *site-specific vesting plan* shall be vested for the entire development with Chapter regulations in place at the time a site plan approval is granted for the initial phase of the *multiphase development*. This right shall remain vested for a period of seven years from the time a site plan approval is granted for the initial phase of the *multiphase development*. A Vested Right shall confer upon the terms and conditions of the *site-specific vesting plan* as provided for in this section.
- (1) Vested Right Extension. The *ZBA* may approve a vesting period not to exceed five (5) years from the date of approval at the request of the landowner if it is found that the development cannot be secured within two (2) years because of the:
 - a. Size of the development,
 - b. Level of investment required, or
 - c. Current lack of, but potential future need for, the development.
 - (2) Vested Right Minor Modification. The *Zoning Administrator* may authorize minor modifications to the *site-specific vesting plan* provided that the changes in the plan do not change the basic relationship of the conditions set forth by the *ZBA*. Changes in detail that may be modified shall include, but not be limited to, the reduction in:
 - a. Square footage of *signs*,
 - b. Square footage of *buildings* and
 - c. The number of *buildings*.

Applications for a minor modification shall include a new *site-specific vesting plan* and a detailed description of the proposed changes. Each *applicant* may *appeal* the decision of the *Zoning Administrator* regarding the Vested Right to the *ZBA*. Any other modification or revocation of a *site-specific vesting plan* shall follow the same process for approval as is applicable to the approval of a *site-specific vesting plan*.

- (3) Vested Right Revocation. The *ZBA* may conclude forfeiture of a Vested Right previously recorded where there is failure to abide by the terms and conditions placed upon the original approval.

§42-364. Common Law Vested Rights

- A. Purpose. A Common Law Vested Right is a right established by common law to undertake and complete the development and *use* of property based on substantial expenditures in good faith reliance on a valid governmental approval. Any request for a Common Law Vested Right will be reviewed and acted upon by the *Planning Director* in accordance with the requirements and procedures set forth in this subsection.
- B. Application. The *applicant* must provide proof of each of the following provisions:
 - (1) A valid governmental permit has been obtained for the specific project;
 - (2) The developer made a substantial expenditure in reliance upon the permit;
 - (3) The developer was acting in good faith; and
 - (4) The developer suffers harm if required to comply with the new rules.
- C. Staff Review. The *Planning Director* shall review the evidence submitted as proof demonstrating the existence of each of the four (4) provisions above. All of these provisions shall be met in order to approve a Common Law Vested Right.
- D. Appeals. An *appeal* of the *Planning Director's determination* of the existence of a Common Law Vested Right shall be heard in a quasi-judicial hearing conducted by the Zoning Board of Adjustment (*ZBA*).

Subpart G. Variances

§42-365. General

All applications for a *Variance* shall include, at minimum: (1) the name(s) and address(es) of the *owner(s)* of the property in question; (2) the location of the property; (3) the *PIN* as shown on the County tax listing; (4) a description and/or statement of the present zoning district; (5) the appropriate level of *site plan*; and, where an *applicant* chooses to appoint an agent to speak on their behalf, (6) an agent form. All applications for a *variance* shall adhere to the applicable review and approval process as outlined in this Subpart.

§42-366. Variances

- A. Purpose. *Variances* are intended to provide limited relief from the requirements of this Chapter in those cases where the strict application of the provisions of this Chapter would result in unnecessary hardship. Any *use* which requires a *Variance* shall not be permitted

without the approval of the Zoning Board of Adjustment (*ZBA*) in accordance with the requirements and procedures set forth in this section.

B. Application.

- (1) Pre-application Conference. Each *applicant* for a *Variance* shall meet with the appropriate Administrator (within this section “Administrator” shall refer to any of the following: *Communication Facilities, Manufactured Home Park, Soil Erosion and Sedimentation Control, Water Quality, Subdivision, or Zoning Administrator*) in a pre-application conference no later than one (1) calendar week prior to the date the application is due. The purposes of this conference are to provide additional information regarding the review process and assistance in the preparation of the application.
- (2) Application. Each application for a *Variance* shall be submitted along with the appropriate fee and *site plan*, to the Administrator on or before the first business day of the month. Applications may be modified by the Administrator as necessary, who may require the *applicant* to supply additional information pertaining to the *Variance*. Incomplete applications must be resubmitted on or before the first business day of the month or will not be processed until the proceeding month.
- (3) Review Schedule. Applications for a *Variance* have a 45 day processing period for notification requirements and review by the Administrator (and, if necessary the Technical Review Committee (*TRC*)) prior to the public hearing.
- (4) Fees. Any review fee established by the Board of Commissioners shall be submitted with the application.

C. Staff Review. The Administrator shall process and review all applications for *Variances*. The Administrator may present the application to the *TRC* for its comments and recommendations and may forward the application on to the appropriate departments and agencies for their review. The Administrator shall also prepare a staff recommendation for the *ZBA* on the application for a *Variance*.

D. Formal Review. Prior to taking any action on a *Variance*, the *ZBA* shall consider the Administrator’s recommendation on the *Variance*.

E. Public Hearing. Prior to considering a *variance* application the *ZBA* shall hold a public hearing on the application in accordance with §42-371 (Quasi-Judicial Process Standards).

F. Public Notification. Public notification of such hearing shall comply with the provisions of §42-371 (Quasi-Judicial Process Standards). The Administrator shall be responsible for all necessary public notifications.

G. Quasi-Judicial Proceeding. The concurring vote of four-fifths (4/5) of the *ZBA* shall be necessary to grant a *Variance*. Any approval or denial of the request must be in writing and permanently filed with the office of the *ZBA* and with the Administrator as public record.

- (1) Standards of Review. The *ZBA* shall not grant a *Variance* the effect of which would be to: (1) allow the establishment of a *use* not otherwise permitted in a

general *use district*, (2) extend physically a *nonconforming use* of land or (3) change the district boundaries shown on the Official Zoning Map. No *Variance* shall be granted or considered where the fact that the property could be used more profitably is the reason for the request for the *Variance*. The following written findings must be made in order for the *ZBA* to grant a *Variance*:

- a. There are practical difficulties or unnecessary hardships in carrying out the strict letter of this Chapter, as demonstrated by:
 1. The fact that, if the *applicant* complies with the literal terms of this Chapter, he/she cannot secure a reasonable return from, or make a reasonable *use* of, the property.
 2. The hardship of which the *applicant* complains results from unique circumstances related to the *applicant's* land.
 3. The hardship is not the result of the *applicant's* own action.
- b. The *Variance* is in harmony with the general purpose and intent of this Chapter and will preserve its spirit.
- c. The *Variance* will secure the *public safety* and welfare and will do substantial justice.
- d. The *Variance* shall not be based on the existence of a *nonconforming use* of neighboring land or *structures* in the same district, or permitted *nonconforming uses* in other districts, and shall in no way constitute a reason for the requested *Variance*.
- e. The *Variance* shall not allow for an increase in density for the purposes of subdividing the land that would otherwise not be permitted by the applicable zoning district or *subdivision* regulations.

(2) Conditions. The *ZBA* may, in granting a *Variance*, prescribe: (1) additional conditions; (2) additional safeguards; (3) a time limit within which the action for which a *Variance* is sought shall be begun; (4) a time limit within which the action for a *Variance* is sought shall be completed; and (5) a time duration within which construction, operation or installation shall commence on the project for which the *Variance* was obtained.

H. Variance Validity. Upon issuance of a *Variance*, the *applicant* shall have 12 months within which (unless otherwise specified by the *ZBA*) to commence construction, operation or installation. If construction, operation or installation is commenced within the specified time period the *Variance* shall continue in force as long as the *structure*, operations or installation remains.

(1) Variance Revocation. If construction or operation is not commenced within 12 months (or other specified time period), the *Variance* shall no longer be valid.

§42-367. Accommodative Temporary Variances

A. Purposes. *Accommodative Temporary Variances* are intended to provide temporary limited relief from the requirements of this Chapter in those cases where the strict application of the provisions of this Chapter would result in unnecessary hardship.

B. Application.

- (1) Pre-application conference. Each *applicant* for a *Accommodative Temporary Variance* shall meet with the appropriate Administrator in a pre-application conference. The purposes of this conference are to provide additional information regarding the review process and assistance in the preparation of the application.
- (2) Application. Each application for a *Accommodative Temporary Variance* shall be submitted along with the appropriate *site plan* and a recommendation from a medical professional licensed by the State of North Carolina for the *applicant* under the requirements of the American with Disabilities Act, to the Administrator. Applications may be modified by the Administrator as necessary, who may require the *applicant* to supply additional information pertaining to the *Accommodative Temporary Variance*.

C. Staff Review. The Administrator shall process and review all applications for a *Accommodative Temporary Variance*. The Administrator shall review the proposal and determine its completeness, finding that the regulations of this Chapter that set forth specific standards would result in unnecessary hardship for an *applicant* covered by the American with Disabilities Act.

D. Accommodative Temporary Variance Validity. The Administrator shall issue a written letter of approval. The *applicant* shall have 12 months within which to commence construction, operation or installation. If construction, operation or installation is commenced within the 12 month period the *Accommodative Temporary Variance* shall continue in force as long as the *structure*, operations or installation remains. The Administrator will reconsider each *Accommodative Temporary Variance* every 5 years.

§42-368. Variances (Flood Damage Prevention)

A. Purposes. Flood Damage Prevention Variances are intended to provide limited relief from the requirements of Article VIII (Natural Resources) Subpart A (Flood Damage Prevention).

B. Application.

- (1) Application. Each application for a Flood Damage Prevention Variance shall be submitted along with a written report addressing each of the factors identified by §42-368 (Variances (Flood Damage Prevention)) E(1) (Granting Variances).
- (2) Fees. The Board of Commissioners shall establish a Schedule of Fees, charges and expenses, and a collection procedure, for Flood Damage Prevention Variances and other matters pertaining to Article VIII (Natural Resources) Subpart A (Flood Damage Prevention). No application for a Flood Damage Prevention Variance, shall be processed unless or until such fees, as established, and all estimated expenses have been paid in full.

C. Eligibility for Flood Damage Prevention Variance. Flood Damage Prevention Variances may be issued for:

- (1) The repair or rehabilitation of historic *structures* upon the *determination* that the proposed repair or rehabilitation will not preclude the *structure's* continued designation as an historic *structure* and the Flood Damage Prevention Variance is

the minimum necessary to preserve the historic character and design of the *structure*;

- (2) Functionally dependent facilities if determined to meet the definition as stated in Article XIV, provided provisions of §42-368 (Variances (Flood Damage Prevention)) have been satisfied, and such facilities are protected by methods that minimize flood damages during the *base flood* and create no additional threats to *public safety*; or
 - (3) Any other type of development, provided it meets the requirements of §42-368 (Variances (Flood Damage Prevention)) and Article VIII (Natural Resources) Subpart A (Flood Damage Prevention); or
 - (4) *Solid waste disposal facilities, hazardous waste management facilities, salvage yards, and chemical storage facilities* that are located in *Special Flood Hazard Areas* provided that all of the following conditions are met:
 - a. The *use* serves a critical need in the community;
 - b. No feasible location exists for the *use* outside the *Special Flood Hazard Area*;
 - c. The *reference level* of any *structure* is elevated or floodproofed to at least the *regulatory flood protection elevation*;
 - d. The *use* complies with all other applicable Federal, State and local laws;
 - e. Henderson County has notified the Secretary of the North Carolina department of Crime Control and Public Safety of its intention to grant a *variance* at least 30 calendar days prior to granting the *variance*.
 - (5) But not for *special fill permits*, pursuant to §42-354 (Special Fill Permits) herein.
- D. Public Hearing. Prior to considering the Flood Damage Prevention Variance application, the Flood Damage Prevention Board shall hold a public hearing on the application in accordance with §42-371 (Quasi-Judicial Process Standards).
- E. Granting Flood Damage Prevention Variances.

- (1) In determining whether to grant or deny Flood Damage Prevention Variances, the Flood Damage Prevention Board shall consider all technical evaluations, all relevant factors, all standards specified in Article VIII (Natural Resources) Subpart A (Flood Damage Prevention), and:
 - a. The danger that materials may be swept onto other lands to the injury of others;
 - b. The danger to life and property due to flooding or *erosion* damage;
 - c. The susceptibility of the proposed facility and its contents to flood damage and the effect of such damage on the individual *owner*;
 - d. The importance of the services provided by the proposed facility to the community, including the retention of land for *agriculture*;

- e. The necessity to the facility of a waterfront location as defined under Article XIV (Definitions) as a *functionally dependent facility*, where applicable;
- f. The availability of alternative locations, not subject to flooding or *erosion* damage, for the proposed *use*;
- g. The compatibility of the proposed *use* with existing and anticipated development;
- h. The relationship of the proposed *use* to the *Comprehensive Plan* and *floodplain management* program for that area;
- i. The safety of access to the property in times of flood for ordinary and emergency *vehicles*;
- j. The expected heights, velocity, duration, rate of rise, and *sediment* transport of the floodwaters and the effects of wave action, if applicable, expected at the site; and
- k. The costs of providing governmental services during and after flood conditions including maintenance and repair of public utilities and facilities such as sewer, gas, electrical and water systems, and *roads* and bridges.

(2) Upon consideration of the factors listed above and the purposes of Article VIII (Natural Resources) Subpart A (Flood Damage Prevention), the Flood Damage Prevention Board may attach such conditions to the granting of Flood Damage Prevention Variances as it deems necessary to further the purposes and objectives of Article VIII (Natural Resources) Subpart A (Flood Damage Prevention).

(3) There are additional considerations of the Flood Damage Prevention Board in determining whether to grant or deny a Flood Damage Prevention Variance. Flood Damage Prevention Variances shall:

- a. Not be issued when the Flood Damage Prevention Variance will make the *structure* in *violation* of other Federal, State, or local laws, regulations, or ordinances.
- b. Not be issued within any designated *floodway* or *non-encroachment area* if any increase in flood levels during the *base flood* discharge would result.
- c. Only be issued upon a *determination* that the Flood Damage Prevention Variance is the minimum necessary, considering the flood hazard, to afford relief.
- d. Only be issued prior to Floodplain Development Permit (see §42-349 (Floodplain Development Permits)) approval.
- e. Only be issued upon:
 - 1. A showing of good and sufficient cause;

2. A *determination* that failure to grant the Flood Damage Prevention Variance would result in exceptional hardship; and
 3. A *determination* that the granting of a Flood Damage Prevention Variance will not result in increased flood heights, additional threats to *public safety*, or extraordinary public expense, create nuisance, cause fraud on or victimization of the public, or conflict with existing local laws or ordinances.
- F. Written Notice. Any *applicant* to whom a *variance* is granted shall be given written notice specifying the difference between the *Base Flood Elevation (BFE)* and the elevation to which the *structure* is to be built and a written statement that the cost of *flood insurance* will be commensurate with the increased risk resulting from the reduced *reference level* elevation. Such notification shall be maintained with a record of all *variance* actions.

§42-369. Variances (Watershed Regulations)

- A. Purpose. *Watershed Regulation Variances* are intended to provide limited relief from the requirements of Article VIII Subpart B *water supply watershed* regulations. *Water Supply Watershed* Protection in those cases where the strict application of the provisions of this Chapter would result in unnecessary hardship. Any *use* which requires a *Watershed Regulation Variance* shall not be permitted without the approval of the Water Quality Board in accordance with the requirements and procedures set forth in this section.
- B. Application.
- (1) Pre-application Conference. Each *applicant* for a *Watershed Regulation Variance* shall meet with the *Water Quality Administrator* in a pre-application conference no later than one (1) calendar week prior to the date the application is due. The purposes of this conference are to provide additional information regarding the review process and assistance in the preparation of the application.
 - (2) Application. Each application for a *Watershed Regulation Variance* shall be submitted along with the appropriate fee and *site plan*, to the *Water Quality Administrator* on or before the first business day of the month. Applications may be modified by the *Water Quality Administrator* as necessary, who may require the *applicant* to supply additional information pertaining to the *Watershed Variance*. Incomplete applications must be resubmitted on or before the first business day of the month or will not be processed until the proceeding month.
 - (3) Review Schedule. No formal review schedule is established for a *Watershed Regulation Variance* from Article VIII Subpart B. *Water Supply Watershed* Protection.
 - (4) Fees. Any review fee established by the Commissioners shall be submitted with the application.
- C. Staff Review. The *Water Quality Administrator* shall process and review all applications for *Watershed Regulation Variances*. The *Water Quality Administrator* shall notify in writing each *local government* having jurisdiction in the *watershed* of the *Watershed Regulation Variance* request, the notice for which shall include a description of the

Watershed Regulation Variance being requested. *Local governments* receiving notice of the *Watershed Regulation Variance* request may submit comments to the *Water Quality Administrator* prior to a decision by the Water Quality Board. The *Water Quality Administrator* shall prepare a staff recommendation for the Water Quality Board on the application for a *Watershed Regulation Variance*.

- D. Formal Review. Prior to taking any action on a *Watershed Regulation Variance*, the Water Quality Board shall consider the *Water Quality Administrator's* recommendation on the *Watershed Regulation Variance*. Comments received from *local governments* (if applicable) shall become a part of the record of proceedings of the Water Quality Board. The Water Quality Board shall refuse to hear an application for a *Watershed Regulation Variance* previously denied if it finds that there have been no substantial changes in conditions or circumstances bearing on the *appeal* or application. The Water Quality Board shall not grant a *Watershed Regulation Variance* without making the following three (3) findings, which shall be recorded in the permanent record of the case, and shall include the factual reasons on which they are based:

- (1) Finding One (1). There are practical difficulties or unnecessary hardships in the way of carrying out the strict letter of this Chapter, specifically Article VIII (Natural Resources) Subpart B. (Water Supply Watershed Protection). In order to determine that there are practical difficulties or unnecessary hardships, the Water Quality Board must find that the following conditions exist:
 - a. If the *applicant* complies with the provisions of this Chapter, the *applicant* can secure no reasonable return from, nor make reasonable *use* of, his/her property. Merely proving that the *Watershed Regulation Variance* would permit a greater profit to be made from the property will not be considered adequate to justify the Water Quality Board in granting a *Watershed Regulation Variance*. Moreover, the Water Quality Board shall consider whether the *Watershed Regulation Variance* is the minimum possible deviation from the terms of this Chapter that will make possible the reasonable *use* of the property;
 - b. The hardship results from the application of this Chapter to the property rather than from other factors, such as deed restrictions or other hardship;
 - c. The hardship is due to the physical nature of the *applicant's* property, such as its size, shape or topography, which is different from that of neighboring property;
 - d. The hardship is not the result of the actions of an *applicant* who knowingly or unknowingly violates this Chapter or who purchases the property after the effective date of this Chapter then comes to the Water Quality Board for relief; and/or
 - e. The hardship is peculiar to the *applicant's* property, rather than the result of conditions that are widespread. If other properties are equally subject to the hardship created in the restriction, then granting a *Watershed Regulation Variance* would be a special privilege denied to others and would not promote equal justice.

- (2) Finding Two (2). The *Watershed Regulation Variance* is in harmony with the general purpose and intent of this Chapter, specifically Article VIII (Natural Resources) Subpart B (Water Supply Watershed Protection), and preserves its spirit.
 - (3) Finding Three (3). In the granting of the *Watershed Regulation Variance*, the *public safety* and welfare have been assured and substantial justice has been done. The Water Quality Board shall not grant a *Watershed Regulation Variance* if it finds that doing so would in any respect impair the public health, safety or general welfare.
- E. Environmental Management Commission Review. Where the application calls for the granting of a *Watershed Major Variance*, and if the Water Quality Board decides in favor of granting the *Watershed Regulation Variance*, the Water Quality Board shall prepare a preliminary record of the hearing with all deliberate speed. The preliminary record of the hearing shall include the: (1) *Watershed Regulation Variance* application; (2) hearing notices; (3) evidence presented; (4) motions, offers of proof, objections to evidence and rulings on them; (5) proposed findings and exceptions; and (6) proposed decision, including all conditions proposed to be added to the *Watershed Regulation Variance*. The preliminary record shall be sent to the Environmental Management Commission for its review as follows:
- (1) Situation One (1). If the Environmental Management Commission concludes from the preliminary record that the *Watershed Regulation Variance* qualifies as a *Watershed Major Variance* and that the property owner can secure no reasonable return from, nor make any practical use of, the property unless the proposed *Watershed Regulation Variance* is granted and that the *Watershed Regulation Variance*, if granted, will not result in a serious threat to the water supply, then the Environmental Management Commission may approve the *Watershed Regulation Variance* as proposed or approve the proposed *variance* with conditions and stipulations. The Environmental Management Commission will prepare a Commission decision and send it to the Water Quality Board. If the Environmental Management Commission approves the *Watershed Regulation Variance* as proposed, the Water Quality Board shall prepare a final decision granting the proposed *Watershed Regulation Variance*. If the Commission approves the *variance* with conditions and stipulations, the Water Quality Board shall prepare a final decision, including such conditions and stipulations, granting the proposed *Watershed Regulation Variance*.
 - (2) Section Two (2). If the Commission concludes from the preliminary record that the *Watershed Regulation Variance* qualifies as a *Watershed Major Variance* and that the property owner can secure a reasonable return from or make a practical use of the property without the *Watershed Regulation Variance* or that the *Watershed Regulation Variance*, if granted, will result in a serious threat to the water supply, then the Commission may deny approval of the *Watershed Regulation Variance* as proposed. The Commission shall prepare a Commission decision and send it to the Water Quality Board. The Water Quality Board will prepare a final decision denying the *Watershed Regulation Variance* as proposed.

- F. Conditions. The Water Quality Board may, in granting a *Watershed Regulation Variance*, prescribe: (1) additional conditions regarding the location, character and other features of the proposed *building, structure* or *use*; (2) additional safeguards; (3) a time limit within which the action for which a *Watershed Regulation Variance* is sought shall be begun; (4) a time limit within which the action for a *Watershed Regulation Variance* is sought shall be completed; and (5) a time duration within which construction, operation or installation shall commence on the project for which the *variance* was obtained. If a *Watershed Regulation Variance* for the construction, alteration or *use* of property is granted, such construction, alteration or *use* shall be in accordance with the approved *site plan*.
- G. Variance Validity. Upon issuance of a *Watershed Regulation Variance*, it shall then be considered as a *Water Supply Watershed Use Permit* (see §42-358 (Water Supply Watershed Use Permits)), and shall adhere to the permit validity outlined therefore.

Subpart H. Legislative and Quasi-Judicial Process Standards

§42-370. Legislative Process Standards

A. Text Amendments

- (1) Public Hearing. Before adopting or amending any ordinance the Board of Commissioners shall hold a public hearing on the ordinance or amendment.
- (2) Newspaper Notice. In accordance with *NCGS* 160D-601(a), the Commissioners shall cause notice of such hearing to be published in a newspaper of general circulation in the County once a week for two (2) successive calendar weeks. The notice shall be published the first time not less than ten (10) days nor more than 25 days prior to the date fixed for the hearing. The notice shall include the time, place and date of the hearing and include a description of the property or the nature of the change or amendment to map. In computing such period, the day of publication is not to be included but the day of the hearing shall be included.

B. Map Amendments.

- (1) Public Hearing. Before adopting or amending any ordinance the Board of Commissioners shall hold a public hearing on the ordinance or amendment.
- (2) Newspaper Notice. In accordance with *NCGS* 160D-601(a), the Commissioners shall cause notice of such hearing to be published in a newspaper of general circulation in the County once a week for two (2) successive calendar weeks. The notice shall be published the first time not less than ten (10) days nor more than 25 days prior to the date fixed for the hearing. The notice shall include the time, place and date of the hearing and include a description of the property or the nature of the change or amendment to map. In computing such period, the day of publication is not to be included but the day of the hearing shall be included.
- (3) Mailed Notice. In addition to requirements found in *NCGS* 160D-602(a), whenever there is a *zoning map amendment*, the *owner* of that parcel of land as shown on the County tax listing, and the *owners* of all parcels within four hundred (400) feet of any property line of the proposed development as shown on the

County tax listing, shall be mailed a notice of a public hearing on the proposed amendment by first class mail at the last addresses listed for such *owners* on the County tax abstracts. This notice must be deposited in the mail at least ten (10) but not more than 25 days prior to the date of the public hearing. The *person* or *persons* mailing such notices shall certify to the Commissioners that fact, and such certificate shall be deemed conclusive in the absence of fraud. The first class mail notice requirement shall not be required if the *zoning map amendment* directly affects more than 50 properties, owned by a total of at least 50 different property *owners*, and the County elects to *use* the Expanded Published Notice (see subsection (4)).

- (4) Expanded Published Notice. In accordance with *NCGS 160D-602*, and in that situation described above (see subsection (3)), the County may elect to publish once a week for two (2) successive calendar weeks in a newspaper having general circulation in the area an advertisement of the public hearing that shows the boundaries of the area affected by the proposed *zoning map amendment* and explains the nature of the proposed change. These advertisements shall comply with and be deemed to satisfy the provisions of *NCGS 160D-602(b)*). The advertisement shall not be less than one-half (1/2) of a newspaper page in size. The advertisement shall only be effective for property owners who reside in the area of general circulation of the newspaper which publishes the notice. Property *owners* who reside outside of the newspaper circulation area, according to the address listed on the most recent property tax listing for the affected property, shall be notified by first class mail pursuant to this section. The *person* or *persons* mailing the notices shall certify to the Commissioners that fact, and the certificates shall be deemed conclusive in the absence of fraud.
- (5) Posted Notice. In accordance with *NCGS 160D-602*, whenever there is a *zoning map amendment*, the County shall post one or more prominent *signs* on or immediately adjacent to the subject area reasonably calculated to give public notice of the proposed rezoning. In the event that more than one (1) parcel is involved in a particular *map amendment*, at least one (1) *sign* shall be posted in a central location; however, the Planning Staff may post multiple *signs*. Said *sign(s)* shall be posted no more than twenty-five (25) days before and at least ten (10) days prior to the public hearing date.

C. Comprehensive Plan Adoption, Amendments, and Updates

- (1) Notifications requirements follows Legislative Process Standards as outlined in §42-370 A Text Amendments.
- (2) If a plan is deemed amended *NCGS 160D-605* by virtue of adoption of a *zoning map amendment* that is inconsistent with the plan, that amendment shall be noted in the plan. However, if the plan is one that requires review and approval subject to *GS 113A-110*, the plan amendment shall not be effective until that review and approval is completed. (NC SL 2019-111, s. 2.4.)

§42-371. Quasi-Judicial Process Standards

- A. Category Three (3) Communication Facility Permits, *Special Use Permits*, Vested Rights, Variances, and Appeals
- (1) Public Hearing. Before taking any action, the appropriate Zoning Board of Adjustment (*ZBA*) shall hold a public hearing (quasi-judicial) on the application, in accordance with established procedures for quasi-judicial hearings.
 - (2) Newspaper None required.
 - (3) Mailed Notice. The *owner* of that parcel of land (related to the application) as shown on the County tax listing, and the *owners* of all parcels of land abutting that parcel of land as shown on the County tax listing, shall be mailed a notice of a public hearing on the proposed amendment by first class mail at the last addresses listed for such *owners* on the County tax abstracts. This notice must be deposited in the mail at least ten (10) but not more than 25 days prior to the date of the public hearing. The *person* or *persons* mailing such notices shall certify to the *ZBA* that fact, and such certificate shall be deemed conclusive in the absence of fraud.
 - (4) Posted Notice. The County shall post one or more prominent *signs* on or immediately adjacent to the subject area reasonably calculated to give public notice of the hearing. In the event that more than one (1) parcel is involved, at least one (1) *sign* shall be posted in a central location; however, the *Zoning Administrator* may post multiple *signs*. Said *sign(s)* shall be posted no more than twenty-five (25) days and at least ten (10) days prior to the hearing.
 - (5) Conflict of Interest. (See §42-321 D & E).

Subpart I. Neighborhood Compatibility Meeting Process and Procedures

§42-372. Neighborhood Compatibility Meeting. Neighborhood compatibility meetings may be required for some uses or review processes to inform adjacent property owners, residents and business owners about a potential development in their community and provide an opportunity for questions to be answered by the applicant or developer.

- A. Facilitation. Upon receipt of a completed application, the Planning Director, Zoning Administrator or a designee appointed by the Planning Director or Zoning Administrator will facilitate the neighborhood compatibility meeting as scheduled each calendar year.
- B. Notification of Participants. A mailed notice shall be sent to adjacent property owners within four hundred (400) feet of any property line of the proposed development at least seven (7) days prior to the neighborhood compatibility meeting
- C. Applicant Presentation. The applicant/developer and or the designated agent shall provide a presentation at the meeting on the proposed project and shall address questions about the project which remain unclear.
- D. Discussion Topics. Participants shall be allowed to ask questions of the applicant for clarification but not to question if the site should be developed. A neighborhood compatibility meeting is not a public hearing. There will be an opportunity for public comment about the project during the formal review by the approving authority.

- E. Meeting Results. Upon the applicant addressing all the participants questions, the facilitator will review the points discussed and ask those assembled if the positions represent an accurate consensus of the opinions expressed. The facilitator shall record the opinions in the staff report and it shall become part of the application file.

Subpart J. Permit Choice for all Development Approvals

§42-373. Permit Choice. If an application made in accordance with County regulation is submitted for a development approval required pursuant to this Chapter and a development regulation changes between the time the application is submitted and a decision is made, the *applicant* may choose which version of the development regulation will apply to the application. If the development permit chooses the version of the rule or ordinance applicable at the time of the permit application, the development permit *applicant* shall not be required to await the outcome of the amendment to the rule, map, or ordinance prior to acting on the development permit. This section applies to all development approvals issued by the State and Henderson County.

§42-374. Reserved

§42-375. Reserved

August 5, 2024

August 5, 2024

August 5, 2024

August 5, 2024

ARTICLE XII
ENFORCEMENT, VIOLATIONS, AND APPEALS

§42-376. Duties Regarding Enforcement

The *Zoning Administrator, Communication Facilities Administrator, Floodplain Administrator, Manufactured Home Park Administrator, Water Quality Administrator, Planning Director, and Subdivision Administrator* are hereby authorized to enforce the provisions of this Chapter. These approving officials may enter any *building, structure* or premises as provided by law, to perform any duty imposed upon them by this Chapter. In exercising this power, approving officials are authorized to enter any premises within jurisdiction of Henderson County at all reasonable hours for the purposes of inspection or other enforcement action, upon presentation of proper credentials; provided, however, that the appropriate consent has been given for inspection of areas no open to the public or that an appropriate inspection warrant has been secured.

§42-377. Violations

Notices concerning *violations* of the provisions of this Chapter shall be provided to the *person(s)* alleged to be in *violation* in accordance with Chapter I, *General Provisions*, Article II, *Penalties and Enforcement* of the Henderson County Code.

- A. Notification. Upon making a *determination* that a *person* is in *violation* of this Chapter, the County shall issue a compliance order to the *person in violation* of this Chapter which shall notify the violator of the *violation* in writing. The notice of *violation* shall be delivered to the holder of the development approval and to the landowner of the property involved, if the landowner is not the holder of the development approval, by personal delivery, electronic delivery, or first-class mail and may be provided by similar means to the occupant of the property or the person undertaking the work or activity. The notice of *violation* may be posted on the property. The person providing the notice of *violation* shall certify that the notice was provided, and the certificate shall be deemed conclusive in the absence of fraud. Such compliance order (notification of *violation*) shall:
- (1) Identify the circumstances giving rise to the *violation*, including the times, dates and places of the *violation*;
 - (2) Identify the action(s) necessary to comply with this Chapter;
 - (3) State that the violator shall comply within a reasonable time, not to exceed 15 days, or be subjected to a civil penalty (except where circumstances exist such that the violator cannot come into compliance within 15 days, and at which time the County may grant an extension of time commensurate with the magnitude of the *violation*);
 - (4) State that failure to comply with the terms of the compliance order will subject the violator to a civil penalty; and
 - (5) State the amount of applicable civil penalty.
- B. Failure to Comply. Failure to comply with the terms of a compliance order within the time stated in the order shall subject the violator to a civil penalty of 50 dollars. Each day

that the *violation* continues shall be considered a separate offense and the violator may be subject to an additional civil penalty for each such separate offense.

C. Penalties and Remedies. Penalties and remedies for *persons* found to be in *violation* of this Chapter shall be as set forth in Chapter I, *General Provisions*, Article II, *Penalties and Enforcement* of the Henderson County Code (Civil penalties for those in violation of *stormwater management regulations* may be assessed up to the full amount of penalty to which Henderson County is subject for violations of its Phase II Stormwater permit, or if no Phase II Stormwater permit exists for the jurisdiction, civil penalties may be assessed up to the full amount allowed by law). Such penalties and remedies shall include:

- (1) Civil Action. When necessary to collect any civil penalty or accrued civil penalties, a civil action may be instituted against an individual for the collection of all accrued penalties.
- (2) Equitable Remedies. This Chapter may be enforced by equitable remedies, and any unlawful condition existing in *violation* of this Chapter may be enforced by injunction and order of abatement in accordance with *NCGS §160D-1212*.
- (3) Injunction. Where necessary to effect compliance with this Chapter, the County may institute an action in a court of competent jurisdiction seeking an injunction against the further *violation* of this Chapter. Such action may be joined with a civil action instituted to collect accrued civil penalties in accordance with the provisions above.
- (4) Order of Abatement. Where necessary to abate a condition existing upon land in *violation* of this Chapter or a *use* made of land in *violation* of this Chapter, the County may institute an action in a court of competent jurisdiction seeking an order of abatement of the *use* or condition of land in *violation* of this Chapter. Such action may be joined to an action for an injunction and/or an action to recover civil penalties accrued against an individual for the *use* or condition of land in *violation* of this Chapter.
- (5) Stop-Work Order. If any *building* or *structure* is erected, constructed, repaired, converted, or maintained or any *building*, *structure* or land is used in violation of the Henderson County Code, the *Zoning Administrator* or any other appropriate authority may institute a stop-work order if further action by the violator would cause irreparable harm or damage. Once a stop-work order has been issued, no work may be done on the *structure* or property until authorized by Henderson County Code Enforcement Services or a court of appropriate jurisdiction.
- (6) Other Equitable Remedies. This Chapter may be enforced by any other equitable remedy which a court of competent jurisdiction deems just and proper.

§42-378. Violations of Article VIII (Natural Resources) Subpart A (Flood Damage Prevention)

A. Violations to be Corrected. When the *Floodplain Administrator* finds *violations* of applicable State and local laws, it shall be his or her duty to notify the *owner* of occupant of the *structure* of the *violation*. The *owner* or occupant shall immediately remedy each of the *violations* of law cited in such notification.

- B. Actions in the Event of Failure to Take Corrective Action. If the *owner* of a *structure* or property shall fail to take prompt corrective action, the *Floodplain Administrator* shall give the *owner* written notice, by certified or registered mail to the *owner's* last known address or by personal service, stating that:
- (1) The *structure* or property is in *violation* of the *floodplain management regulations* of Article VIII (Natural Resources) Subpart A (Flood Damage Prevention);
 - (2) An informal hearing will be held before the *Floodplain Administrator* at a designated place and time, not later than ten (10) days after the date of the notice, at which time the *owner* shall be entitled to be heard in *person* or by counsel and to present arguments and evidence pertaining to the matter; and,
 - (3) Following the hearing, the *Floodplain Administrator* may issue such order to alter, vacate, or demolish the *structure*; or to remove fill as applicable.
- C. Order to Take Corrective Action. If, upon a hearing held pursuant to the notice prescribed above, the *Floodplain Administrator* shall find that the *structure* or development is in *violation* of Subpart A, he or she shall issue an order in writing to the *owner*, requiring the *owner* to remedy the *violation* within a specified time period, not less than 60 calendar days, nor more than 180 calendar days. Where the *Floodplain Administrator* finds that there is imminent danger to life or other property, he or she may order that corrective action be taken in such lesser period as may be feasible.
- D. Appeal. Any *owner* who has received an order to take corrective action may *appeal* the order to the Henderson County Flood Damage Prevention Board by giving notice of *appeal* in writing to the *Floodplain Administrator* and the clerk within ten (10) days following issuance of the final order. In the absence of an *appeal*, the order of the *Floodplain Administrator* shall be final. The Henderson County Flood Damage Prevention Board shall hear an *appeal* within a reasonable time and may affirm, modify and affirm, or revoke the order.
- E. Failure to Comply with Order. If the *owner* of a *structure* or property fails to comply with an order to take corrective action from which no *appeal* has been made, or fails to comply with an order of the Flood Damage Prevention Board following an *appeal*, the *owner* shall be guilty of a misdemeanor and shall be punished at the discretion a court of competent jurisdiction.

§42-379. Appeals

Questions arising in connection with the enforcement of this Chapter shall be presented first to the approving official or agency and shall be presented to the appellate agency only on *appeal* from the approving official or agency (See Table 12.1). *Appeals* must be filed or mailed 30 days from the date of the decision with the approving official or agency. Where the appellate agency is the Zoning Board of Adjustment (*ZBA*), the *ZBA* shall hold a public hearing on the *appeal* in accordance with §42-371 (Quasi-Judicial Process Standards).

- A. In *appeals* of a decision to be heard by the *ZBA*, the current holder of the office at the time of the *appeal* whose decision is appealed shall attend the *appeal* hearing to act as a witness if called by either side. The *ZBA* is authorized to take steps, including issuance of subpoena, to compel the attendance of the office holder.

- B. An *appeal* of a notice of *violation* or other enforcement order stays enforcement of the action appealed from and accrual of any fines assessed unless the official who made the decision certifies to the ZBA after notice of *appeal* has been filed that, because of the facts state in an affidavit, a stay would cause imminent peril to life or property or, because the *violation* is transitory in nature, a stay would seriously interfere with enforcement of the development regulation.

Table 12.1 Approving Agency and Associated Appellate Body		
Type of Agency	Approving Official or Agency for the Application or Appeal	Appellate Body
Staff	<i>Communication Facilities Administrator</i>	Zoning Board of Adjustment
	<i>Floodplain Administrator</i>	Flood Damage Prevention Board
	<i>Manufactured Home Park Administrator</i>	Zoning Board of Adjustment
	<i>Planning Director</i>	Zoning Board of Adjustment
	<i>Soil Erosion and Sedimentation Control Administrator</i>	Zoning Board of Adjustment
	<i>Subdivision Administrator</i>	Zoning Board of Adjustment
	<i>Water Quality Administrator</i>	Water Quality Board
	<i>Zoning Administrator</i>	Zoning Board of Adjustment
Committee	Technical Review Committee	Zoning Board of Adjustment
Board	Board of Commissioners	Appellate Court
	Flood Damage Prevention Board	Appellate Court
	Planning Board	Zoning Board of Adjustment
	Water Quality Board	Appellate Court
	Zoning Board of Adjustment	Appellate Court

§42-380. Interrelation of County Permits

- A. Suspension of any *County Permit*. The suspension of any *county permit* shall act to suspend, during the period of such suspension, all *county permits* granted to the *disqualified party* prior to such suspension.
- B. Revocation of any *County Permit*. The revocation of any *county permit* shall act to revoke all *county permits* granted to the *disqualified party* prior to such revocation. For revocation of development approval, must follow the same process as was used for the approval per G.S. 106D-403(f).
- C. Disqualification for *County Permits* During Period of Suspension of *County Permit*. Any *disqualified party*, and all *related parties* regarding such *disqualified party*, may not be granted any *county permit* during the period of suspension.

- D. Disqualification for *County Permits* During and After Revocation of *County Permit*. Any *disqualified party*, and all *related parties* regarding such *disqualified party*, may not be granted any *county permit* for a period of two (2) years following such revocation.
- E. Grounds for revocation or suspension of *County Permit*. Any *county permit* may be revoked, modified, or suspended, in whole or in part, during its term for cause, including, but not limited to, the following:
- (1) The violation of any condition of the permit; or
 - (2) That the permit was obtained by misrepresenting or failing to disclose fully all relevant facts.
- F. Notification of Revocation or Suspension. *Disqualified parties* shall be notified by the *Zoning Administrator* or the department issuing the permit that their permit is in danger of being suspended or revoked. This notice shall be sent to the *disqualified party's* last known address by registered or certified mail, or by personal service. This notice must include that:
- (1) An informal hearing shall be held before the department issuing the permit or the *Zoning Administrator* within ten (10) days after the date of the notice, at which time the *owner* shall be entitled to be heard in person or by counsel and to present arguments and evidence pertaining to the matter; and
 - (2) Following that hearing, the *issuing party* may suspend, revoke, or leave in place the permit(s).
- G. Informal Hearing. Within ten (10) days of providing written notice to the *disqualified party*, the *issuing party* shall hold an informal hearing regarding the matter. In the absence of an *issuing party*, the *Zoning Administrator* shall be permitted to revoke or suspend any and all *county permit* following an informal hearing with the *disqualified party*. The *issuing party* must provide the *disqualified party* with a written order after the hearing including the following information:
- (1) Whether the permit(s) in question have been suspended or revoked;
 - (2) If the permit(s) have been suspended, the duration of the suspension;
 - (3) The grounds for the suspension or revocation; and
 - (4) Any possible remedies the *disqualified party* may take to have the permits reinstated.
- H. Reinstatement of Suspended Permits. Suspended permits may be reinstated after the assigned period of time or once the *disqualified party* has taken the necessary remedial action. To reinstate the permit(s), the *disqualified party* must re-apply to the *issuing party* or the *Zoning Administrator*. At this time, the *disqualified party* must present evidence to the *issuing party* that the condition causing the suspension has been rectified.
- I. New Applications for Revoked Permits. Revoked permits cannot be reinstated. *Disqualified parties* must submit new applications for revoked permits.
- J. Enforcement Remedies. *Disqualified parties* who continue to act under revoked or suspended permits will be guilty of a misdemeanor and shall be punished at the discretion

of a court of competent jurisdiction. Subject to the discretion of the *issuing party*, a *stop-work order*, injunctive relief, and civil damages may also be instituted by Henderson County.

- K. Right to Appeal. Any *disqualified party*, and all *related parties* may appeal the disqualification of *county permits* to the Zoning Board of Adjustment (*ZBA*) in a quasi-judicial hearing. Notices of these appeals must be received by the *Zoning Administrator* in writing within 15 days of mailing of the notice of permit suspension or revocation. Appeals from the decision of the *ZBA* shall be taken to the court of appropriate jurisdiction as provided by law. Appeals from the decision of the *ZBA* must be filed within 30 days from the date when the *ZBA* issued its final decision.

§42-381. Computation of Time.

The time in which an act is to be done shall be computed by excluding the first day and including the last day. If a deadline or required date of action falls on a Saturday, Sunday, or holiday observed by the *County*, the deadline or required date of action shall be the next day that is not a Saturday, Sunday or holiday observed by *County*. References to days are calendar days unless otherwise stated.

§42-382. Reserved

**ARTICLE XIII
LEGAL STATUS**

§42-383. Conflict with Other Laws

When sections of this Chapter impose higher standards than required in any other statute, local ordinance or regulation, this Chapter shall govern. When the provisions of any other statute, local ordinance or regulation imposes higher standards than are required by this Chapter, the provision of that statute, local ordinance or regulation shall govern.

§42-384. Severability of Parts of Code

It is hereby declared to be the intention of the Board of Commissioners that the sections, paragraphs, sentences, clauses and phrases of this Chapter are severable, and if any phrase, clause, sentence, paragraph or section of this Chapter shall be declared unconstitutional by the valid judgment or decree of any court of competent jurisdiction, such unconstitutionality shall not affect any of the remaining phrases, clauses, sentences, paragraphs and sections of this Chapter, since the same would have been enacted by the Board of Commissioners without the incorporation in this Chapter of any such unconstitutional phrase, clause, sentence, paragraph or section.

§42-385. Repeal of Existing Zoning.

All ordinances, or portions thereof, of the Code of Ordinances of Henderson County, North Carolina which are related to zoning, subdivision and land use which are inconsistent with the provisions of the Chapter are hereby repealed to the extent of such inconsistency.

§42-386. References to Statutes, Regulations, and Documents.

Whenever reference is made to a resolution, ordinance, statute, regulation, manual (including the *Stormwater BMP Manual*), or document, it shall be construed as a reference to the most recent edition of such that has been finalized and published with due provision for notice and comment, unless otherwise specifically stated.

§42-387. Reserved

§42-388. Reserved

§42-389. Reserved

§42-390. Reserved

August 5, 2024

**ARTICLE XIV
DEFINITIONS**

§42-391. Definitions

The following definitions shall apply to this Chapter.

ABC. Aggregate Base Course.

Accelerated Erosion. Any increase over the rate of *natural erosion* as a result of *land-disturbing activity*.

Access Control Device. Equipment and/or machinery that opens and closes an *entry gate* (See Chapter 47 of the Henderson County Code, *Entry Gates*).

Accommodation. A portion of a *building* providing complete and permanent living facilities for one (1) family.

Act. (Soil Erosion and Sedimentation Control) the North Carolina Sedimentation Pollution Control Act of 1973 and all rules and orders adopted pursuant to it.

Adequate Erosion Control Measure, Structure, or Device. One which controls the soil material within the land area under responsible control of the *Person* conducting the *land-disturbing activity*.

Adequate Lighting. (See *Lighting, Adequate*).

Addition. An extension or increase in the *floor area* or height of an existing *structure*.

Administrative Amendment. (See *Amendment, Administrative*).

Administrator, Communication Facilities. The individual (*Zoning Administrator* or his/her designee) appointed and authorized to administer and enforce the communication facilities regulations under the terms and conditions of this Chapter.

Administrator, Floodplain. The individual (*Zoning Administrator* or his/her designee) appointed and authorized to administer and enforce the *floodplain management regulations* under the terms and conditions of this Chapter.

Administrator, Manufactured Home Park. The individual (*Zoning Administrator* or his/her designee) appointed and authorized to administer and enforce the *manufactured home park* regulations under the terms and conditions of this Chapter.

Administrator, Soil Erosion and Sedimentation Control. The Henderson County authorized *person* or his/her designee responsible for the County's Erosion and Sediment Control Program.

Administrator, Subdivision. The individual (*Planning Director* or his/her designee) appointed and authorized to administer and enforce the *subdivision* regulations under the terms and conditions of this Chapter.

Administrator, Zoning. The individual appointed and authorized to administer and enforce various regulations under the terms and conditions of this Chapter.

Administrator, Water Quality . The individual (Administrator or his/her designee) appointed and authorized to administer and enforce those regulations related to *water supply watershed* protection and *stormwater* management under the terms and conditions of this Chapter.

Adult Book and Retail Merchandise Store. An establishment or business that sells merchandise that is conducted exclusively for the patronage of adults and that excludes minors from patronage, either by operation of law or by the *owners* of the business, except any business licensed under this Chapter which is devoted to adult material, including but not limited to one or more of the following: (1) books, magazines, periodicals or other printed matter; (2) photographs, films, motion pictures, video cassettes, video reproductions, slides or other visual representations that depict or describe specified sexual activities or specified anatomical areas; or (3) instruments, devices or paraphernalia that are designed for use in connection with specified sexual activities.

Adult Care Home. An *assisted living residence* in which the housing management provides 24 hour scheduled and unscheduled personal care services to residents, either directly or, for scheduled needs, through formal written agreement with licensed home care or hospice agencies. Some licensed adult care homes provide supervision to persons with cognitive impairments whose decisions, if made independently, may jeopardize the safety or well-being of themselves or others and therefore require supervision. Medication in an adult care home may be administered by designated, trained staff. Adult care homes that provide care to two (2) to six (6) unrelated residents are commonly called family care homes (*NCGS* §131D-2 (a)(1b)).

Adult Day Care Facility. The provision of group care and supervision in a place other than their usual place of abode on a less than 24-hour basis to adults who may be physically or mentally disabled as inspected and certified by the Department of Health and Human Services (*NCGS* §131D-6(b)). Adult day care facilities do not include *senior centers*.

Adult Theatre and Live Entertainment. Any establishment or business that is conducted exclusively for the entertainment and patronage of adults and that excludes minors from patronage, either by operation of law or by the *owners* of the business. Such establishments that would be considered adult entertainment include, but may not be limited to, an adult escort agency, adult nightclub/bar, adult motion-picture theater, adult mini-motion-picture theater or adult live entertainment business as each is defined in *NCGS* §14-202.10. This definition does not include bona-fide massage parlors or adult book and/or retail merchandise stores.

Affiliate. A *person* that directly, or indirectly through one or more intermediaries, controls, is controlled by, or is under common control of another *person*.

Agriculture. The *use* of land for the tilling of soil; the growing of crops or plants, including truck farming, field crops, vegetables, fruit, nut, sod, seed or *tree* production; other farming practices, including but not limited to plastic culture; pasturage, including pasture for cattle, horse, sheep, goats and other farm animals; *forestry* (silviculture); other forms of food and fiber grown for human and/or animal consumption; greenhouses, nurseries and ornamental horticulture; the raising, breeding, working and use of farm animals; aquaculture; beekeeping; associated processing and packing of agricultural commodities; the use of waters for stock watering, irrigation and other farm purposes; and, the permitted construction or maintenance of *agriculture*-related water diversion *structures*, including dikes, levies and ditches.

Airport (Private). Any area of land or water which is used or intended for use for the landing and taking off of privately owned fixed-wing and rotary-wing aircraft on a noncommercial basis. This does not include the regular repair, fueling and/or maintenance of aircraft and the sale of goods or materials to users of such aircraft.

Airport (Public). Any area of land or water which is used or intended for use for the landing and taking off of fixed-wing and rotary-wing aircraft, and any appurtenant areas used for *structures/facilities/rights-of-way*, including all necessary taxiways, aircraft storage areas, tie-down areas, hangars, and other associated *buildings* and open spaces. This *use* may include the regular repair, fueling and/or maintenance of aircraft and the sale of goods or materials to users of such aircraft.

Alley. A public way which affords only a secondary means of access to an abutting property and is not intended for general traffic circulation.

Amateur Radio. For the purpose of this Chapter, a wireless communications operation will only be considered amateur radio if permitted by the Federal Communications Commission as such.

Ambulance Services. An establishment primarily engaged in providing transportation of patients by ground or air, along with medical care. These services are often provided during a medical emergency but are not restricted to emergencies. *Vehicles* are equipped with lifesaving equipment operated by medically trained personnel.

Amendment, Administrative. An amendment which does not change the meaning or intent of the *Comprehensive Plan*, but instead corrects errors of a technical or clerical nature, perhaps involving the addition of explanatory materials and graphics, or calling for the correction of typographical errors.

Amendment, Map. An amendment that changes the “Official Zoning Map of Henderson County” in accordance with the processes outlined by *NCGS*.

Amendment, Substantive. An amendment that changes the meaning or intent of the *Comprehensive Plan*, and likely involves a lengthy review process in order to fully assess the impact(s) of proposed amendments on the *Comprehensive Plan*’s assumptions, principles, goals, objectives, recommendations and action steps.

Amendment, Text. An amendment that changes the text of this Chapter, the “Land Development Code of Henderson County” in accordance with the processes outlined in the *NCGS*.

Amendment, Water Supply Watershed Text and/or Map. A *text or map amendment*, as defined, but which, because it includes a change to the *water supply watershed* text and/or map, must also adhere to additional processes as outlined by the North Carolina Environmental Management Commission.

Amusement Park. A commercially operated park composed primarily of amusement rides (mechanical, aquatic or other device/attraction that carries passengers over a fixed or restricted area, primarily for the passengers’ amusement), coin operated amusements, miniature golf, batting cages, go-cart tracks, skateboard facilities, food/beverage services and the like. This definition excludes motor sports facilities, botanical gardens and zoological gardens.

Animal Shelter. A designated facility, operated and maintained by the County or another organization for the purpose of impounding animals under the authority of Chapter 66A of the Henderson County Code, *Animal* or *NCGS* for care, confinement, return to *owner*, adoption or euthanasia.

Antenna. An exterior transmitting or receiving device which radiates or captures electromagnetic waves.

Appeal. A request for a review of: (1) the *Zoning Administrator's* interpretation of any provision of this Chapter; (2) any official written *determination* by the *Zoning Administrator*; (3) the *Subdivision Administrator's* interpretation of any *subdivision* regulations/provisions of this Chapter; (4) any official written *determination* by the *Subdivision Administrator*; (5) the *Soil Erosion and Sedimentation Control Administrator's* interpretation of any soil erosion and sedimentation regulations/provisions of this Chapter; (6) any official written *determination* by the *Soil Erosion and Sedimentation Control Administrator*; (7) the *Floodplain Administrator's* interpretation of any flood damage prevention regulations/provisions of this Chapter ; or (8) any decision made by a planning agency or governing body. An appeal must be made within 30 days of an official written *determination* by the *Zoning/Subdivision/Soil Erosion and Sedimentation Control Administrator* or an official decision made by a planning agency or governing body.

Applicant. The party submitting an application, petition or seeking other approval required by this Chapter. An applicant includes a firm, association, organization, partnership, corporation, company, trust, individual or governmental unit or any other entity usually defined in legal usage as a *person*.

Approving Authority. (Soil Erosion and Sedimentation Control) the Division or other State or a local government agency that has been delegated erosion and sedimentation plan review responsibilities in accordance with the provisions of the Act.

Area of Shallow Flooding. A designated AO Zone on a community's *Flood Insurance Rate Map (FIRM)* with *base flood* depths determined to be from one (1) to three (3) feet. These areas are located where a clearly defined channel does not exist, where the path of flooding is unpredictable and indeterminate, and where velocity flow may be evident.

Area of Special Flood Hazard. (See *Special Flood Hazard Area (SFHA)*).

Asphalt Plant. An establishment (portable or nonportable) engaged in petroleum refining; manufacturing involving various compositions of asphalt and tar with other materials (asphalt-type roofing materials, asphalt/tar paving mixtures, asphalt paving block and various other compositions of asphalt or tar with other materials); and the recycling of old asphalt into asphalt-type material.

Asphalt Plant, Hot Mix. An establishment (portable or nonportable) engaged in the conversion of mined aggregates to construction materials for roads and similar uses, and the recycling and reuse of used asphalt pavement and other asphalt materials into new hot mix asphalt material.

Assisted Living Residence. A group housing and services program for seven (7) or more unrelated persons, by whatever name it is called, that makes available, at a minimum, one (1) meal a day and housekeeping services and provides personal care services directly or through a formal written agreement with one or more licensed home care or hospice agencies. The Department of Health and Human Services may allow nursing service exceptions on a case-by-case basis. Settings in which services are delivered may include self-contained apartment units or single or shared room units with private or area baths. Assisted living residences are to be distinguished from *nursing homes* subject to provisions of *NCGS §131E-102 (NCGS §131D-2(1d))*. *Extended care facilities* with seven (7) or more residents (excluding *hospice residential care facilities* and *nursing homes*) shall, for the purposes of this Chapter, be included with and permitted in the same fashion as an assisted living residence.

Automobile and Equipment Service. An establishment primarily engaged in providing service to automobiles and equipment. An automobile and equipment service may include auto inspection stations and/or tire recapping as *accessory uses* provided each is conducted within an enclosed *structure* and that neither is the principal business.

Bankfull. The flow stage of a river in which the stream completely fills its channel and the elevation of the water surface coincides with the bank margins.

Base Flood. The flood having a one percent (1%) chance of being equaled or exceeded in any given year.

Base Flood Elevation (BFE). A *determination* of the *water surface elevations* of the *base flood* as published in the *Flood Insurance Study*. When the BFE has not been provided in a *Special Flood Hazard Area*, it may be obtained from engineering studies available from a Federal, State or other source using *FEMA* approved engineering methodologies. This elevation, when combined with *freeboard*, established the *Regulatory Flood Protection Elevation*.

Basement. That portion of a *structure* which is partly or completely below grade.

Basement (Flood Damage Prevention). Any area of the *structure* having its *floor* sub-grade (below ground level) on all sides.

Bathroom (Bed and Breakfast Inn). A room with at least one (1) shower or tub, water closet and lavatory (lavatories may be located within *bedrooms*) (*NCAC* 15A, 18A .3001).

Bed and Breakfast Inn. A business of not more than 12 guest rooms that offers bed and breakfast accommodations to at least nine (9) but not more than 23 persons per night for a period of less than one (1) week, and that: does not serve food or drink to the general public for pay; serves only the breakfast meal to overnight guests of the business; includes the price of breakfast in the room rate; and is the permanent residence of the *owner/manager* of the business (*NCGS* §131A-247(6)).

Bedroom. A bedroom as that term is defined in the North Carolina Building Code as amended.

Being Conducted. A *land-disturbing activity* has been initiated and not deemed complete by the *Approving Authority*.

Berm. An earthen mound designed to provide visual interest on a site, screen undesirable views, reduce noise or fulfill other such purposes.

Best Management Practices (BMP), Stormwater. A structural or nonstructural management-based practice used singularly or in combination to reduce nonpoint source inputs to receiving waters in order to achieve water quality protection goals.

Best Management Practices (BMP), Structural Stormwater. A physical device designed to achieve any combination of the following:

- (1) Trap, settle out, or filter pollutants from *stormwater runoff*;
- (2) Alter or reduce *stormwater runoff* velocity, amount, timing, or other characteristics; or
- (3) Approximate the pre-development hydrology on a developed site.

These include physical practices such as constructed wetlands, vegetative practices, filter strips, grassed swales, and other methods installed or created on real property. Synonyms include: structural practice, *stormwater* control facility, *stormwater* control practice, *stormwater*

treatment practice, *stormwater* management practice, *stormwater* control measures, structural *stormwater* treatment systems, etc.

BE. *Base flood elevation* (See *Base Flood Elevation*).

Billboard. An *outdoor advertising sign* that exceeds 380 square feet in area.

BMP Manual, Stormwater. The manual approved for use in Phase II jurisdictions by *NCDENR* for the proper implementation of the requirements of the federal Water Quality program. All references herein to the *Stormwater BMP Manual* are to the latest published edition or revision. The County adopted manual that provides comprehensive guidelines and practices for controlling *stormwater*. Unless a manual is adopted by the County, the State manual shall serve as the *Stormwater BMP Manual*

Boathouse, Private. A residential accessory *water dependent structure* whose principal purpose is waterfront mooring/storage of boats.

Bond. (See *Improvement Guarantee*).

Borrow. Fill material which is required for on-site construction that is obtained from other locations.

Boulevard. Boulevards generally consist of moderate mobility and low to moderate accessibility. The relationship between mobility and accessibility is more balanced than that of *freeways* and *expressways*. Access control points may not be permitted and if allowed, are limited. Typically, roadways in this category have a median, but may have as few as two (2) lanes. They generally have posted speed limits of 30 to 55 miles per hour. Traffic signals are allowed and recommended at one-half (½) mile intervals.

Broadcasting and Communications Facilities. An establishment providing point-to-point communications and the services related to that activity. This may include radio and television broadcasting, cable networks and program distribution, and their directly related telecommunications. Examples include: radio/television broadcasting, radio/cable networks, radio stations and cable/other program distribution among others. Communications facilities not related to broadcasting are excluded from this definition.

BST. Bituminous Surface Treatment (asphalt, tar and gravel).

Buffer. An area of natural or planted vegetation that serves as a separation and screen between two (2) properties and/or dissimilar land *uses*.

Buffer (Watershed). An area of natural or planted vegetation through which *stormwater runoff* flows in a diffuse manner so that the runoff does not become channelized and which provides for infiltration of the runoff and filtering of pollutants. The buffer is measured landward from the normal pool elevation of impounded *structures* and from the top of the bank of each side of streams or rivers.

Buffer Zone (Soil Erosion and Sedimentation Control). The strip of land adjacent to a *lake or natural watercourse*.

Building. A building as defined in the North Carolina State Building Code, Chapter 2, Section 202.

Building, Enclosed. A building which has a roof supported by “imperforated” walls extending from ground to roof on all sides. The presence of doors (not doorways having no door) or windows shall not cause a wall to be considered “perforated.”

Building, Occupied. A building that is inhabited by one or more persons. Such buildings include, but are not limited to: residences, *schools*, *religious institutions*, buildings for public assembly, hospitals, clinics and other commercial and industrial entities.

Building Façade. The façade of a building, which for the purposes of this Chapter, is that side which faces a *traveled way*.

Building Line. A line which crosses the front of the principal *building* on the *lot*.

Built-Up Area. The portion of a development project that is covered by impervious/partially impervious cover (including, but not limited to, *structures*, roofs, *driveways*, *roads*, concrete slabs, walkways, paved (asphalt, concrete, etc.)/compacted stone parking lots, recreational facilities, etc). Wooden slatted decks, water area of a swimming pool or pond, or pervious or partially pervious paving material (to the extent that the paving material absorbs water or allows water to infiltrate through the paving material) are considered pervious.

Bulkhead. A *water dependent structure*; a wall or an embankment along a waterfront, that acts as a protective barrier.

BW. *Balance of Watershed* (See *Balance of Watershed*).

CA. *Critical Area* (See *Critical Area*).

Caliper. A horticultural method of measuring the diameter of nursery stock. For *trees* less than four (4) inches in diameter, the measurement should be taken at six (6) inches above ground level. For *trees* greater than four (4) inches in diameter up to and including 12 inches, the caliper measurement must be taken at 12 inches above the ground level. For *trees* greater than 12 inches in diameter, the trunk is measured at breast height (Diameter at Breast Height or DBH), which is four and one-half (4 ½) feet above the ground. For the purposes of this Chapter where related to landscaping regulations, diameter and caliper are used interchangeably.

Camp. An establishment primarily engaged in operating/accommodating educational and/or recreational activities for patrons. These establishments typically: (1) are operated on a seasonal basis; (2) provide access to *indoor/outdoor/governmental recreational facilities*; (3) provide access to dining facilities; (4) provide sleeping quarters (for temporary use by patrons and/or employees); and (5) are often operated on a temporary/seasonal basis (i.e. summer camp, day camp, etc.).

Campground. An establishment primarily engaged in operating/accommodating campsites. These establishments may provide access to facilities, such as laundry rooms, recreational halls and playgrounds, stores and snack bars.

Camping, Low Impact. Low impact camping is a primitive type of camping that has limited improvements, such as a fire ring, cleared or partially cleared sites for tent camping, and if possible, potable water. A landowner of a parcel or tract of land may establish and offer ten (10) or less low impact camping spaces, for a fee, through a managed site or reservation system. Low impact camping is intended to follow the National Park Service principles of “leave no trace” which means anything brought in must be packed out, including trash.

Carport. A *structure* that covers a *driveway* or other parking area. A carport may have permanent walls but shall not have a door in the manner of a *garage*.

Certificate of Need (CON). A written order which affords the *person* so designated as the legal proponent of the proposed project the opportunity to proceed with the development of such project (*NCGS* §131E-176(3)).

Chemical Storage Facility. A *structure*, portion of a *structure* or exterior area adjacent to a *structure* used for the storage of any chemical or chemically reactive products.

Childcare. A program or arrangement where three (3) or more children less than 13 years old, who do not reside where the care is provided, receive care on a regular basis of at least once (1) per week for more than four (4) hours but less than 24 hours per day from *persons* other than their guardians or full-time custodians, or from *persons* not related to them by birth, marriage or adoption. Childcare does not include the following:

- (1) Arrangements operated in the home of any child receiving care if all the children in care are related to each other and no more than two (2) additional children are in care;
- (2) Recreational programs operated for less than four (4) consecutive months in a year;
- (3) Specialized activities or instruction such as athletics, dance, art, music lessons, horseback riding, gymnastics or organized clubs for children, such as Boy Scouts, Girl Scouts, 4-H groups or Boys and Girls clubs;
- (4) Drop-in or short-term care provided while parents participate in activities that are not employment related and where the parents are on the premises or otherwise easily accessible, such as drop-in or short-term care provided in health spas, bowling *alleys*, *shopping malls*, resort hotels or *religious institutions*;
- (5) Public *schools*;
- (6) Nonpublic *schools* (*NCGS*, Chapter 115C, Article 39, Part 2) that are accredited by the Southern Association of Colleges and Schools and that operate a childcare facility as defined in subdivision (3) of this section for less than six and one-half (6 ½) hours per day either on or off the *school* site;
- (7) Bible schools conducted during vacation periods;
- (8) Care provided by facilities licensed under *NCGS* Chapter 122C, Article 2;
- (9) Cooperative arrangements among parents to provide care for their own children as a convenience rather than for employment; and
- (10) Any childcare program or arrangement consisting of two (2) or more separate components, each of which operates for four (4) hours or less per day with different children attending each component. (*NCGS* §110-86(2)).

Childcare Facility. Includes childcare centers, *family childcare homes* and any other childcare arrangement (not excluded by *NCGS* §110-86(2)), that provides childcare, regardless of the time of day, wherever operated, and whether or not operated for profit (*NCGS* §110-86(3)).

Chip Mill. A nonportable wood-chipping facility that stands alone and apart from a *sawmill* or a pulpmill whose purpose is to provide wood chips to an off-site fabricating facility including but not limited to a papermill or oriented strand board (OSB) mill.

Church. (See *Religious Institution*).

Club/Lodge. An establishment primarily engaged in promoting the common civic and social interest of their members. This industry includes local branches or chapters of fraternal

organizations, guilds or unions. Establishments in this industry may operate bars and restaurants for their members.

Cluster Development (Watershed). The grouping of single-family residential *buildings* on one (1) single *tract* (*manufactured home park*, etc.); or the grouping of single-family *building lots* in a *subdivision* where higher-density design is combined with land conservation (preservation of natural areas/*open space*) and innovative design in order to minimize negative impacts (reduce *stormwater runoff*, etc.). Cluster developments shall include conservation *subdivisions* as defined by this Chapter.

Collector Road. Collector roads generally feature characteristics of moderate to low mobility and high accessibility, and serve as a link between through-roads and *local roads*. There is no control of access (i.e. no physical restrictions on access). Traffic signals are allowed, at a recommended minimum spacing of one-quarter ($\frac{1}{4}$) mile. *Driveways* are allowed with full movement, but are still recommended to be consolidated or shared if possible. Roadways in this category will have neither a center left turn lane nor a median. Speed limits are generally regulated at 25 to 55 miles per hour.

Collocation. The placement of an additional *antenna* on an existing communication facility, including required support equipment and *structures* at the base of the tower and any necessary modification to the *structure* of the existing facility.

Commission. (Soil Erosion and Sedimentation Control) The North Carolina Sediment Control Commission.

Commissioners. The Board of Commissioners of Henderson County, North Carolina.

Common Area. Area set aside, dedicated or reserved for the *use* and enjoyment of residents of a complex, development, *manufactured home park* or *subdivision*. Common area may include space for community buildings, ponds, gardens, walking paths, outdoor play areas, swimming pools, ball fields, basketball courts, racquet courts, gazebos, picnic shelters, etc. Where damage to subsurface *sewage disposal systems* or wells would not result as a *use* of property for common area, such areas over *sewage disposal systems*/wells may be used as common area. Those areas which shall not be considered common areas include: land within *setbacks*/separation areas, *internal/external roads/rights-of-way*, *driveways*, parking spaces, *common area recreation and service facilities*, *sale/model homes*, solid waste disposal areas and areas needed for aboveground utility facilities including water supply or *sewage disposal systems*.

Common Area Recreation and Service Facilities. Recreational (swimming pools, hot tubs, etc.) and service (laundry, mail delivery area, etc.) facilities built to serve complexes, developments, *manufactured home parks* and *subdivisions*.

Communication Facility, Category 1. A Category One (1) Communication Facility shall be a:

- (1) Tower and/or *antenna* constructed or permitted prior to March 2, 1998;
- (2) Tower used for residential, *amateur radio* or governmental purposes which is less than 90 feet in height;
- (3) Tower less than 50 feet in height; or
- (4) *Collocation* of an *antenna* on an existing communication facility.

Communication Facility, Category 2. A Category Two (2) Communication Facility shall be a/an:

- (1) Tower intended to replace an existing tower where such new tower is sited as close to the existing tower as is reasonably feasible, but in no event more than 100 feet from the base of the existing tower, and no higher than the height of the existing tower;
- (2) *Antenna* located on an *alternative structure*;
- (3) Tower used for residential, *amateur radio* or governmental purposes which is 90 feet or greater in height;
- (4) Tower (all others) 50 to less than 200 feet in height.

Communication Facility, Category 3. A Category Three (3) Communication Facility shall include all towers 200 feet or greater in height.

Communication Facility, Stealth. A *stealth communication facility* is a communication facility which is designed and constructed so as to blend into its surroundings. A communication facility may be stealth were such facility is a monopole or appears to be a tree, light pole, water tower, clock tower or any of a number of other similar *structures/natural vegetation*. The choice of design shall be compatible with the setting in which the communication facility is placed, in order to camouflage/conceal the presence of the facility and in order for the facility be considered a "stealth" design.

Communication Facility Height. The vertical distance measured from the facility base to the highest point of the facility, including any *antenna*, lighting or other equipment affixed thereto.

Communication Facility Permit. The permit issued by the *Communication Facilities Administrator*, as designated by this Chapter, to an *applicant* to construct a *communication tower*, co-locate an *antenna* on an existing tower, locate an *antenna* on an *alternative structure* or replace an existing tower.

Communication Facility Registration Number. A number issued by the *Communication Facilities Administrator* (upon the issuance of a *communication facility permit*) which is used to reference individual communication facility projects. A communication facility registration number corresponds to the facility permit application number issued by the *Communication Facilities Administrator*.

Communication Tower. A tower, pole or similar *structure*, used to support one or more *antennas*, including self-supporting lattice towers, guyed towers or monopole towers. The term includes radio and television transmission towers, personal communications service (PCS) towers, microwave towers, common-carrier towers, cellular telephone towers and *alternative structures*.

Communication Tower Base. The foundation, usually concrete, on which the *communication tower* and other support equipment are situated. For measurement calculations, the tower base is that point on the foundation reached by dropping a vertical line through the geometric center of the tower

Communication Tower Site. The land area which currently or will in the future contain a tower, support *structures* and other related *structures* and improvements. A communication tower site may consist of a parcel of record or a deeded *easement*.

Community Club. A *structure* and its related facilities, owned or operated by an educational, nonprofit organization whose members typically reside inside boundaries that are established by the community club, and whose purposes are: to provide a framework whereby community

members can work together to supplement or expand the goals that the community wants to accomplish; and to provide for the social, recreational, educational, cultural and/or economic improvement of the community.

Completion of Construction or Development (Soil Erosion and Sedimentation Control). No further *land-disturbing activity* is required on a phase of a project except that which is necessary for establishing a permanent *ground cover*.

Comprehensive Plan. The official public planning document adopted by the Board of Commissioners as the official guide for the development and redevelopment of the County.

Conditional Rezoning. A legislative zoning map amendment with site-specific conditions incorporated into the zoning map amendment.

Conical Evergreen Plant. An *evergreen shrub* or *tree* whose foliage is full to the ground, widest at the base and tapers toward the top. A conical evergreen plant provides a visual screen at ground level at 75 percent maturity.

Conservation Area, Primary. Consists of:

- (1) *Floodplains* (100-year and 500-year) and hydric soils identified as part of: a *Flood Insurance Study* prepared by the Federal Emergency Management Agency (*FEMA*); or the County Soil Survey prepared by the USDA Natural Resources Conservation Service;
- (2) Land located within 50 feet of the bank of any *perennial stream*; and
- (3) *Slopes* greater than 30 percent (13.5 degrees) identified as part of: a County Soil Survey prepared by the USDA Natural Resources Conservation Service; or a site analysis conducted by a registered professional engineer, professional land surveyor, landscape architect, architect or land planner and calculated using topographic maps from an actual survey or from the US Geological Society.

Conservation Area, Secondary. Consists of:

- (1) Farmland (whether actively used or not) including cropland, fields, pastures and meadows;
- (2) Natural areas, wildlife habitats and corridors identified as part of: and Inventory of Natural Areas and Wildlife Habitats as prepared by a State agency, the Natural Conservancy or a local land trust; a required Environmental Assessment or Environmental Impact Statement; or an independent site study conducted by a trained botanist or biologist;
- (3) *Slopes* of 20 to less than 30 percent (nine (9) to less than 13.5 degrees) which require special *site* planning due to their *erosion* potential, limitations for septic tank nitrification fields and terrain or elevation changes;
- (4) Historic or archeological sites including, but not limited to, sites listed on the National Register of Historic Places or included on the State's National Register study list, designated as a local historic landmark or district and/or designated as having a high potential for archaeological remains generally identified as part of a: local architectural survey; local archaeological survey; required Environmental Assessment or Environmental Impact Statement; or independent site study conducted by a trained architectural historian or archaeologist;
- (5) Non-commercial cemeteries; and

- (6) Viewsheds (scenic views, especially of natural and cultural features from designated scenic *road* corridors, including “views from the *road*” as well as views outward from potential home sites).

Continuing Care Retirement Community. A continuing care retirement community involves the furnishing to an individual (other than an individual related by blood, marriage or adoption to the person furnishing the care) of lodging together with nursing services, medical services or other health related services, under an agreement effective for the life of the individual or for a period longer than one (1) year (*NCGS* §58-64-1(1)). Health related services include, at a minimum, *nursing home* admission or assistance in the activities of daily living, exclusive of the provision of meals or cleaning services (*NCGS* §58-64-1(4)).

County. Henderson County, North Carolina.

County Permit. Any zoning, subdivision, building construction, septic system, soil erosion, or similar permit granted by Henderson County or any employee thereof.

Critical Area. The area adjacent to a water supply intake or reservoir where risk associated with pollution is greater than from the remaining portions of the *watershed*. The critical area is defined as extending either one-half ($\frac{1}{2}$) mile from the normal pool elevation of the reservoir in which the intake is located or to the ridgeline of the *watershed* (whichever comes first) or one-half ($\frac{1}{2}$) mile upstream from the intake located directly in the stream or river (run-of-the-river) or the ridgeline of the *watershed* (whichever comes first). The Board of Commissioners may extend the critical area as needed. Major landmarks, such as highways or property lines, may be used to delineate the outer boundary of the critical area if these landmarks are immediately adjacent to the appropriate outer boundary of one-half ($\frac{1}{2}$) mile.

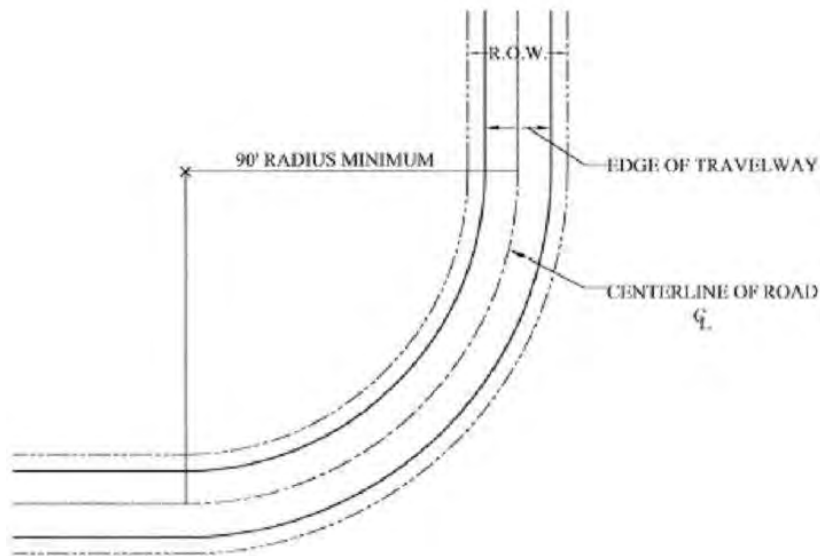
Critical Root Zone. The minimum area beneath a *tree* which must be left undisturbed and protected from construction disturbance in order to preserve a sufficient root mass to give a *tree* a reasonable chance of survival. The critical root zone is delineated by a concentric circle with the *tree* trunk as the center. The radius of the critical root zone equals one (1) foot for every one (1) inch of *tree* diameter. For example: a 20 inch diameter *tree* will have a critical root zone radius of 20 feet.

Cryptocurrency Mining Operation(s). The operation of specialized computer equipment for the purpose of mining one or more blockchain-based cryptocurrencies, such as Bitcoin. This activity, which is also termed “proof of work,” involves the solving of algorithms as part of the development and maintenance of a blockchain which is a type of distributed ledger maintained on a peer- to-peer network. Typical physical characteristics of cryptocurrency mining include specialized computer hardware for mining operations as well as equipment to cool the hardware and operating space. For the purposes of the associated regulations, cryptocurrency mining includes the commercial “creation” (“mining”) of virtual currency not recognized as legal tender of the U.S., but does not include the exchange of cryptocurrency, the use, creation, or maintenance of all types of peer-to-peer distributed ledgers. This definition does not include use of one or not more than five computers from which cryptocurrency is mined in an enclosed structure, provided the cryptocurrency is not mined for commercial purposes.

Curve Radius. The distance measured from the centerline of the *road* to a fixed point inside the curve (see below Figure. Minimum Curve Radius).

Figure. Minimum Curve Radius

Not to Scale



Deciduous. A plant with foliage that is shed annually.

Department. (Soil Erosion and Sedimentation Control) The North Carolina Department of Environmental Quality.

Design Manual, Erosion and Sedimentation Control. The County adopted manual that provides comprehensive guidelines and practices for controlling *erosion* and *sedimentation*. Unless a manual is adopted by the County, the State manual shall serve as the *Design Manual*.

Design Professional. A civil engineer or landscape architect who prepares the Erosion and Sediment Control Plan for the *person* or agent engaged in *land-disturbing activity*.

Determination. A development regulation enacted under the authority of this Chapter may designate the staff member or members charged with making *determinations* under the development regulation *as defined in G.S. 160D-403*.

Development (Flood Damage Prevention). Any man-made change to improved or unimproved real estate, including but not limited to, *structures*, mining, dredging, filling, grading, paving, excavating operations, drilling operations, or storage of equipment or materials.

Development (Water Quality). A *land-disturbing activity* which adds to or changes the amount of impervious or partially impervious cover on a land area or which otherwise decreases the infiltration of precipitation into the soil.

Development, Agriculture. A development where the *use* is agriculture, including *agritourism farms* and *bona fide farms* as defined in *G.S. 160D-903*.

Development, Commercial/Office/Institutional. A *nonresidential development* that is not industrial.

Development, Existing. Those developments that, at a minimum, have established a vested right under North Carolina zoning law.

Development, Industrial. A *nonresidential development* that requires a National Pollutant Discharge Elimination System (*NPDES*) permit for an industrial discharge and/or requires the *use* or storage of any hazardous material for the purpose of manufacturing, assembling, finishing, cleaning or developing any product or commodity.

Development, Multiphase. All development containing 100 acres or more that is submitted for site plan approval for construction to occur in more than one *phase* and is subject to a master development plan with committed elements, including a requirement to offer land for public use as a condition of its master development plan approval.

Development, Nonresidential. All development other than *residential development* and *agriculture*. Nonresidential development consists of office, institutional, commercial and industrial development.

Development, Residential. *Buildings* for residential *use* (including *single* and *multifamily dwellings*) and their associated *accessory structures* and *uses*.

Development, Single-Tenant. A single establishment, activity or *use* which does not share any facilities (parking, storage areas, entrances, etc.) with another *tenant* or *use* and is developed on an individual parcel.

Development Agreement. An agreement approved by the Board of Commissioners pursuant to the procedures and requirements of *NCGS* Section 160D-1001 through 160D-1006.

Director. (Soil Erosion and Sedimentation Control) The Director of the Division of Energy Mineral and Land Resources of the Department of Environmental Quality.

Discharge Point or Point of Discharge. (Soil Erosion and Sedimentation Control). Means that point where runoff leaves a tract of land where a land-disturbing activity has occurred or enters a lake or natural watercourse.

Disposal (Flood Damage Prevention). The discharge, deposit, injection, dumping, spilling, leaking or placing of any *solid waste* into or on any land or water so that the *solid waste* or any constituent part of the *solid waste* may enter the environment or be emitted into the air or discharged into any waters, including groundwaters (*NCGS* §130A-290(a)(6)).

Disqualified Party. Any *person* or entity who has had any *county permit* suspended, during the period of such suspension.

District. (Soil Erosion and Sedimentation Control) Means the Henderson County Soil and Water Conservation District created pursuant to Chapter 139, North Carolina General Statutes.

Dock/Pier. A *water dependent structure*; a platform extending from a shore over water and supported by piles or pillars, whose purpose is to secure, protect and provide access to boats.

Dormitory. A facility providing group sleeping accommodations in one (1) or several rooms under joint occupancy and single management, where the use of the facility is associated with an

institution or business which provides services, employment or education to people who require temporary housing during the time of their association with the institution or business.

Driveway/Entryway. An area used for ingress or egress of *vehicles* and allowing access from a *traveled way* onto a property.

DU. *Dwelling unit* (See *Dwelling Unit*).

Dwelling, Accessory. A unit added to, contained within or detached from a principal *dwelling unit* that provides self-contained, complete and permanent (non-transient) living facilities for one (1) family.

Dwelling, Apartment. (See *Accommodation*).

Dwelling, Conventional. A *dwelling unit* constructed in accordance with the standards of the North Carolina State Building Code that is constructed on site.

Dwelling, Duplex. See two family attached dwellings

Dwelling, Manufactured Home. A *dwelling unit* constructed in accordance with the Federal Manufactured Housing Construction and Safety Standards Act of 1974 (which became effective June 15, 1976), as amended, and composed of components substantially assembled in a manufacturing plant and transported to the *building* site for final assembly on a permanent foundation. The term “*manufactured home*” does not include “*mobile home*,” “*recreational vehicle*” or “*park model home*.”

Dwelling, Mobile Home. A transportable, factory-built home designed for *use* as a *single-family detached* residential dwelling and manufactured prior to the Federal Manufacture Housing Construction and Safety Standards Act of 1974 (which became effective June 15, 1976).

Dwelling, Modular. A *dwelling unit* constructed in accordance with the standards set forth in the North Carolina State Building Code and composed of components substantially assembled in a manufacturing plant and transported to the *building* site for final assembly on a permanent foundation.

Dwelling, Multifamily. Any building or set of buildings that contain multiple dwelling units intended to house three (3) or more individual families living independent of each other and sharing common walls. Multifamily dwelling does not apply to a single duplex on an individual parcel of land. Multifamily dwellings may be permitted within an approved subdivision that includes single family units/lots. Multifamily dwelling shall not include single-family homes with an attached garage containing only one (1) garage apartment. Multifamily dwelling includes, but is not limited to, apartment, condominium and townhome which may be under a single ownership or the units may be individually owned.

Dwelling, Quadraplex. Four (4) *dwelling units*, including *modular homes*, placed one (1) on top of another and/or side-by-side and sharing common walls, floors and/or ceilings.

Dwelling, Single-Family Detached. A single-family dwelling which is located in a separate *building* detached from any other *building* (excluding a customary *accessory structure*). Single-family detached dwellings may include dwellings constructed on site or *modular dwellings*.

Dwelling, Triplex. Three (3) *dwelling units*, including *modular homes*, placed one (1) on top of another or side-by-side and sharing common walls, floors and/or ceilings.

Dwelling, Two Family Attached. Two (2) *dwelling units*, including *modular homes*, placed one (1) on top of another or attached side by side and sharing one or more common walls, *floors* and/or ceilings. This is commonly referred to as a duplex.

Dwelling Unit. A *building* or portion thereof, providing complete and permanent living facilities for one (1) family.

Easement. That portion of land or property reserved for present or future *use* by a *person* or agency other than the legal fee *owner(s)* of the property. The easement shall be permitted to be for *use* under, on, or above said *lot(s)*.

Elevated Structure. A non-basement *structure* which has its *reference level* raised above ground level by foundation walls, *shear walls*, posts, piers, pilings or columns.

Encroachment (Flood). The advance or infringement of *uses*, fill, excavation, *structures* or development into a *floodplain*, which may impede or alter the flow capacity of a *floodplain*.

Energy Dissipator. A *structure* or a shaped channel section with mechanical armoring placed at the outlet of pipes or conduits to receive and break down the energy from high *velocity* flow.

Entertainment Complex. An establishment that is conducted exclusively for entertainment. Entertainment complexes include some form of live entertainment and may include food services, beverage services, etc. *Accessory structures* and *uses* necessary to the operation of the complex may be included in this definition, as determined by the *Zoning Administrator*. This definition does not include *adult theatres/live entertainment* or cinema complexes.

Erosion. The wearing away of land surfaces by the action of wind, water, gravity, or any combination thereof.

Erosion and Sedimentation Control Design Manual. (See Design Manual, Erosion and Sedimentation Control).

Evergreen. A plant with foliage that persists and remains green year-round.

Expressway. Expressways generally feature characteristics of high mobility and moderate to low accessibility. Moving through-traffic is an important element; however, access points are allowed, but limited. Traffic signals are not permitted, but *driveway* connections are permitted. Typically, roadways in this category have a minimum of four (4) travel lanes, are median-divided facilities, and generally have posted speed limits of 55 to 60 miles per hour.

Extended Care Facility. A licensed care facility that provides continuing services to residents and which shall include: *family care homes*, *hospice residential care facilities*, *assisted living residences*, *adult care homes*, *mental health facilities*, *multiunit assisted housing with services*, *nursing homes* and *continuing care retirement communities*.

- (1) *Family Care Home.* A care home (for persons of any age) having two (2) to six (6) residents (based on NCGS §131D-2(A)(5)). *Extended care facilities* with two (2) to six (6) residents shall, for the purposes of this Chapter, be included with and permitted in the same fashion as a family care home (see *Family Care Home* for full definition).
- (2) *Hospice Residential Care Facility.* A freestanding licensed hospice facility which provides palliative and supportive medical and other health services to meet the physical, psychological, social, spiritual and special needs of terminally ill patients and their families in a group residential setting.

- (3) *Assisted Living Residence*. A group housing and services program for seven (7) or more unrelated persons, by whatever name it is called, that makes available, at a minimum, one (1) meal a day and housekeeping services and provides personal care services directly or through a formal written agreement with one or more licensed home care or hospice agencies. *Extended care facilities* with seven (7) or more residents (excluding *hospice residential care facilities* and *nursing homes*) shall, for the purposes of this Chapter, be included with and permitted in the same fashion as an assisted living residence (see *Assisted Living Residence* for full definition).
- (4) *Adult Care Home*. An *assisted living residence* in which the housing management provides 24 hour scheduled and unscheduled personal care services to residents, either directly or, for scheduled needs, through formal written agreement with licensed home care or hospice agencies (see *Adult Care Home* for full definition).
- (5) *Mental Health Facilities*. A facility that provides services to individuals who are mentally ill, developmentally disabled, or substance abusers for one or more minors or for two (2) or more adults. These services shall be residential services provided for 24 consecutive hours or more. Facilities for individuals who are substance abusers include chemical dependency facilities.
- (6) *Multiunit Assisted Housing with Services*. An *assisted living residence* in which hands on personal care services and nursing services (which are arranged by housing management) are provided by a licensed home care or hospice agency, through an individualized written care plan (see *Multiunit Assisted Housing with Services* for full definition).
- (7) *Nursing Home*. A facility, however named, which is advertised, announced or maintained for the express or implied purpose of providing nursing or convalescent care of seven (7) or more *persons* unrelated to the licensee (see *Nursing Home* for full definition).
- (8) *Continuing Care Retirement Community*. A *continuing care retirement community* involves the furnishing to an individual (other than an individual related by blood, marriage or adoption to the *person* furnishing the care) of lodging together with nursing services, medical services or other health related services, under an agreement effective for the life of the individual or for a period longer than one (1) year (see *Continuing Care Retirement Community* for full definition).

Fall Zone. The area in which a wireless support structure may be expected to fall in the event of a structural failure, as measured by engineering standards.

Family Care Home. A care home (for persons of any age and which includes, but is not limited to *adult care homes*, *hospice residential care facilities*, or *nursing homes*) having two (2) to six (6) residents (based on *NCGS §131D-2(a)(5)*). *Extended care facilities* with two (2) to six (6) residents shall, for the purposes of this Chapter, be included with and permitted in the same fashion as family care homes.

Family Childcare Home (FCCH). *Childcare* arrangement in the provider's home that may have no more than five (5) preschool children present at any one (1) time. The program may enroll up to eight (8) children if at least three (3) of the children are *school* aged.

Farm, Agritourism. A working farm or ranch that welcomes visitors who come to purchase agricultural products or value-added agricultural products, learn about or participate in

agricultural-themed recreation and/or entertainment, and who pay the farmer a fee for that experience.

Farm, Bona Fide. All land on which agricultural operations are conducted as a *principal* or *accessory use*.

FBFM. *Flood Boundary and Floodway Map.*

FEMA. The Federal Emergency Management Agency of the United States Department of Homeland Security.

Final Plat. A *plat* representing a *lot*, parcel, *subdivision* or a *tract* of land showing the boundaries and location of individual properties, *roads* and other information required by this Chapter and *NCGS*. A *final plat* shall be prepared by a professional land surveyor, currently licensed and registered in the State of North Carolina, in such a fashion as to be suitable for recording by the Henderson County Register of Deeds and in accord with *NCGS* §47-30.

Fire Lane. A *road* or other passageway developed to allow the passage of fire apparatus. A fire lane is not necessarily intended for vehicular traffic other than fire apparatus.

Fire and Rescue Station. A government or quasi-public establishment primarily engaged in firefighting and other related *fire protection* activities. Government or quasi-public establishments providing combined fire protection and ambulance or rescue services are classified in this industry.

Fire Protection. The design, construction and installation of *buildings* and facilities, equipment, appliances and infrastructure or the protection of the facilities and *buildings*, and the occupants thereof, from the effects or potential effects of fire. All *uses* requiring fire protection in this Chapter shall be required to comply with the standards of the National Fire Protection Association.

FIRM. *Flood Insurance Rate Map.*

Flea Market. A place that has regular consistent hours of operation on a regular reoccurring basis of at least four (4) days a month where people buy, auction, rent, sell, appraise, lease or exchange goods, products or services including but not limited to real property, personal property, services, food and/or entertainment whether it indoors, outdoors or a combination venue.

Flood/Flooding. A general and temporary condition of partial or complete inundation of normally dry land areas from: the overflow of inland or tidal waters; and/or the unusual and rapid accumulation of runoff of surface waters from any source.

Flood Fringe. The flood fringe as shown on the *Flood Boundary and Floodway Map (FBFM)*.

Flood Insurance. The insurance coverage provided under the National Flood Insurance Program.

Flood Insurance Rate Map (FIRM). An official map of a community, issued by *FEMA*, on which both the *Special Flood Hazard Areas* and the risk premium zones applicable to the community are delineated.

Flood Insurance Study (FIS). An examination, evaluation and *determination* of flood hazard areas, corresponding *water surface elevations* (if appropriate), *flood insurance* risk zones and

other flood data in a community issued by *FEMA*. The Flood Insurance Study report includes *Flood Insurance Rate Maps (FIRMs)*.

Flood Prone Area. (See *Floodplain*).

Flood Zone. A geographic area shown on a *Flood Insurance Rate Map (FIRM)* that reflects the severity or type of flooding in the area.

Floodplain. Any land area susceptible to being inundated by water from any source.

Floodplain Development Certificate of Compliance/Occupancy. A certification that the development within the *floodplain* is in compliance with this Chapter and may be occupied.

Floodplain Management. The operation of an overall program of corrective and preventive measures for reducing flood damage and preserving and enhancing, where possible, natural resources in the *floodplain*, including but not limited to emergency preparedness plans, flood control works, floodplain management regulations and open space plans.

Floodplain Management Regulations. This Chapter, building codes, health regulations, special purpose ordinances, and other applications of police power. This term describes federal, state, or local regulations in any combination thereof, which provide standards for preventing and reducing flood loss and damage.

Floodproofing. Any combination of structural and nonstructural *additions*, changes or adjustments to *structures*, which reduce or eliminate flood damage to real estate, improved real property, water facilities, sanitation facilities, or *structures* and their contents.

Floodway. The channel of a river or other *watercourse* and the adjacent land areas that must be reserved in order to discharge the *base flood* without cumulatively increasing the *water surface elevation* more than one (1) foot.

Floor. (See *Lowest Floor*).

Floor Area, Gross. The total floor area of all *buildings* in a project (including *basements*, mezzanines and upper floors) and which excludes stairways, elevator shafts and separate service facilities outside the principal *building* (boiler rooms, maintenance shops, etc.).

Food Manufacturing. An establishment that includes the following: dairy product manufacturing (including milking, cheese manufacturing and butter manufacturing); grain and oilseed milling (including flour milling, malt manufacturing, rice milling, starch and vegetable fats and oils manufacturing, wet corn milling, soybean processing, fats and oils refining and blending and breakfast cereal manufacturing); wine and brandies manufacturing; snack food manufacturing; coffee and tea manufacturing; concentrate, syrup, condiment and spice manufacturing; establishments that freeze food and use preservation processes (pickling, canning and dehydrating); and an entire range of other miscellaneous food product manufacturing.

Footprint. The outside dimensions of a *building* describing the amount of space it occupies on the ground, usually expressed in square feet.

Forestry. Includes timber *tract* operations and forest nurseries and gathering of forest products. This subsector specializes in long production cycles that separate it from crop production.

Forestry Support Services. An establishment primarily engaged in performing particular support activities related to timber production, wood technology, *forestry*, economics, marketing

and forest production. These establishments may provide support activities for *forestry*, such as estimating timber, forest firefighting, forest pest control and consulting on wood attributes and reforestation.

Fraternity and/or Sorority House. A specific type of *rooming and boardinghouse*, which is for the purposes of housing members and meetings of a fraternal organization. These establishments provide temporary or longer-term accommodations which, for the period of occupancy, may serve as a principal residence. These establishments also may provide complementary services, such as housekeeping, meals and laundry services.

Freeboard. The height added to the *Base Flood Elevation (BFE)* to account for the many unknown factors that could contribute to flood heights greater than the height calculated for a selected size flood and floodway conditions, such as wave action, blockage of bridge openings, and the hydrological effect of urbanization of the watershed. The *Base Flood Elevation (BFE)* plus the freeboard establishes the *Regulatory Flood Protection Elevation*.

Freeway. Freeways generally feature characteristics of high mobility and low accessibility, or full control of access. Carrying through traffic and controlling access points are of supreme importance of roadways classified in this category. Typically, freeways have a minimum of four (4) travel lanes, are median-divided facilities, and generally have posted speed limits of 55 miles per hour or greater. Traffic signals and *driveways* are not permitted, as access is only permitted at grade-separated interchanges.

Frontage. The side of a *lot* adjacent to the *traveled way*. All sides of a *lot* adjacent to the *traveled way* shall be considered frontage and have *yard* provided as indicated under the *yard* requirements set forth in this Chapter.

Fuel Oil Distribution and Sales. An establishment with bulk liquid storage facilities primarily engaged in wholesaling, retailing and/or distributing fuel oil and fuel oil products.

Full Pond Elevation. The elevation, measured in feet above *mean sea level*, of the top of a lake's spillway or the top of the floodgates (if applicable).

Functionally Dependent Facility. A facility which cannot be used for its intended purpose unless it is located in close proximity to water, limited to a docking or port facility necessary for the loading and unloading of cargo or passengers, shipbuilding or ship repair. The term does not include long-term storage, manufacture, sales or service facilities.

Garage, Residential. A *building* primarily designed to house *vehicles*, which can be either attached to or detached from the *dwelling unit*.

Gate and/or Guardhouse. *Structures* for the purpose of restricting access to all or portions of a property.

Gate, Entry. Movable partition for controlling access and egress (See Chapter 47 of the Henderson County Code, *Entry Gates*).

Golf Course and/or Country Club. An establishment primarily engaged in operating golf courses (except miniature) and/or dining and other recreational facilities known as country clubs. These establishments often provide food, beverage, equipment rental and golf and recreational instructional services.

Governmental Recreational Facilities. A public recreation facility that is indoors and/or outdoors which may include: courts (basketball, tennis, etc.), swimming pools, batting cages, shuffleboard areas and/or other such *uses* that fit the intent of this Chapter as determined by the *Zoning Administrator*. A government recreational facility shall, for purposes of this Chapter, not include go-cart tracks (a *recreational motor sports facility*), golf courses, miniature golf courses, golf driving tees/ranges.

Greenhouse. An enclosed *structure* with transparent or translucent roof and/or wall panels, and devoted to the cultivation and protection of plants out of season or climate.

Greenway. A public space that may be a linear *park*, alternative transportation route and/or *open space* conservation area that provides passive recreational opportunities, pedestrian and/or bicycle paths and/or the conservation of *open spaces* or natural areas, which may be so indicated in a greenway plan.

Ground Cover. Any natural vegetative growth or other material which renders the soil surface stable against *accelerated erosion*.

Hazardous Waste Management Facility. A facility for the collection, storage, processing, treatment, recycling, recovery or disposal of hazardous waste as defined in *NCGS Chapter 130A, Article 9*.

Height. The height of a *building* or *structure* measured as the vertical distance from the finished main floor level to the highest point of the *building* or *structure*. Chimneys, cupolas and steeples are not included in measuring a *building* or *structure* height.

Heliport (Private Accessory). A facility or *structure* that is used for the landing and take-off of rotary-wing aircraft, but not including the regular repair, fueling and/or maintenance of such aircraft or the sale of goods/materials to users of such aircraft.

High-Density Project. Any project that exceeds the *low-density* threshold for *dwelling units* per acre or *built-upon area*.

High Quality Waters. Those classified as such in 15A *NCAC* 2B.0224, which is hereby incorporated by reference. Including subsequent amendment and additions.

High Quality Water (HQW) Zones. For the Coastal Counties, areas within 575 feet of *High Quality Waters*; and for the remainder of the state, areas within one (1) mile and draining to HQW's.

Highest Adjacent Grade (HAG). The highest natural elevation of the ground surface prior to construction, immediately next to the proposed walls of the *structure*.

Historic Structure. A *structure* that is:

- (1) Listed individually in the National Register of Historic Places (a listing maintained by the US Department of Interior) or preliminarily determined by the Secretary of the Interior as meeting the requirements for individual listing on the National Register;
- (2) Certified or preliminarily determined by the Secretary of Interior as contributing to the historical significance of a registered historic district or a district preliminarily determined by the Secretary of the Interior to qualify as a registered historic district;
- (3) Individually listed on a state inventory of historic landmarks in communities with a "Certified Local Government (CLG) Program"; or

- (4) Certified as contributing to the historical significance of a historic district designed by a community with a “Certified Local Government (CLG) Program”. Certified Local Government (CLG) Programs are approved by the US Department of the Interior in cooperation with the North Carolina Department of Cultural Resources through the State Historic Preservation Officer as having met the requirements of the National historic Preservation Act of 1966 as amended since 1980.

Home Occupation, Adult Day Care. A daycare program for two (2) to six (6) people operated in a *single-family detached dwelling* (10A NCAC 06R .0201). (See also *Home Occupation, General*).

Home Occupation, Childcare Facility. A *family childcare home* with no more than 12 children (where any of the children are preschool-aged or younger) or no more than 15 children (where they are *school* aged) that provides *childcare*, regardless of the time of day and whether or not operated for profit (NCGS §110-86(3)).

Home Occupation, General An *accessory use* of a *structure* for a limited nonresidential purpose that is clearly incidental and subordinate to the *use* of the property for residential purposes.

Hospice Residential Care Facility. A freestanding licensed hospice facility which provides palliative and supportive medical and other health services to meet the physical, psychological, social, spiritual and special needs of terminally ill patients and their families in a group residential setting (NCGS §131E-176(13c)).

Hot Mix Asphalt Plant. An establishment (portable or nonportable) engaged in the conversion of mined aggregates to construction materials for roads and similar uses, and the recycling and reuse of used asphalt pavement and other asphalt materials into new hot mix asphalt material.

Impervious Surface. A ground covering which prevents or restricts the absorption of water directly into the ground below (including, but not limited to, *structures*, roofs, *driveways*, *roads*, concrete slabs, walkways, and paved (asphalt, concrete, etc.)/compacted stone parking lots, etc).

Impervious Surface, Maximum. Maximum impervious surface indicates that not more than the percentage of the total land area indicated be covered by *impervious surface*.

Improvement Guarantee. Cash, letters of credit, trust agreements, *bonds* or similar financial instruments deposited with the County to assure that required improvements will be constructed or installed.

Issuing Party. The Henderson County Department or employee who originally granted the permit to the *disqualified party*.

Junk. Litter; debris; animal carcasses; used or unserviceable *motor vehicle* and machinery parts; used and non-functional furniture, appliances, tools, equipment and implements; and waste materials of any kind (excluding compost piles for normal, personal or noncommercial *uses*, in their proper location).

Junkyard. A parcel having a *principal use* consisting of the storing, keeping, buying or selling of *junk*, as defined herein. This definition excludes any *vehicle graveyard* or *manufactured/mobile home graveyard*.

Junked Motor Vehicle. A *motor vehicle* which does not display a current license plate or *vehicle* registration.

Kennel. A collection of *structures*, property, *outside/outdoor uses* of land in which domestic animals are housed, maintained and/or bred. (See Chapter 16 of the Henderson County Code, *Animal*).

Lake or Natural Watercourse. Any stream, river, brook, swamp, sound, bay, creek, run, branch, canal, waterway, estuary, and any reservoir, lake or pond.

Land Clearing Debris and Inert Debris Storage or Disposal. A disposal facility which stores solid waste resulting solely from land-clearing activities (stumps, *trees*, bricks, concrete, etc.).

Land-Disturbing Activity. Any use of the land by any *person* in residential, industrial, education, institutional, or commercial development, highway and road construction and maintenance that results in a change in the natural cover or topography and that may cause or contribute to *sedimentation*.

Landfill. A facility for the disposal of solid waste on land in a sanitary manner in accordance with *NCGS* Chapter 130A, Article 9. For the purpose of this Chapter, this term does not include composting facilities.

Landfill, Non-discharging. A *landfill* which does not discharge treated leachate into surface waters and for which no National Pollutant Discharge Elimination System (*NPDES*) permit is required.

Landscaping Materials Sales and Storage. An establishment primarily engaged in selling and storing a variety of landscaping materials including but not limited to plants, *shrubs*, *trees*, mulch, timbers, rocks, etc. directly associated with or used for landscaping.

Larger Common Plan of Development or Sale. Any area where multiple separate and distinct construction or *land-disturbing activities* will occur under one (1) plan. A plan is any announcement or piece of documentation (including but not limited to a *sign*, public notice or hearing, sales pitch, advertisement, loan application, drawing, permit application, zoning request, or computer design) or physical demarcation (including but not limited to boundary signs, *lot* stakes, or surveyor markings) indicating that construction activities may occur on a specific plot.

Library/Archive. These establishments are engaged in maintaining collections of documents (books, journals, newspapers and music) and facilitating the *use* of such documents as are required to meet informational, research, educational or recreational needs of their user(s). These establishments may also acquire, research, store, preserve and generally make accessible to the public historical documents, photographs, maps, audio material, audiovisual material and other archival material of historical interest. All or portions of these collections may be accessible electronically.

Lighting, Adequate. Lighting of areas used for vehicular and pedestrian access which serves to heighten visibility and, as a result, protect the public health, safety and welfare.

Lighting Mitigation. Mitigating the impact of outdoor lighting fixtures in order to protect neighboring properties and *roads* from direct glare or hazardous interference of any kind. Lighting mitigation typically involves directing lighting fixtures away from adjacent properties but may also include the installation of planted *buffers*, screens, walls, etc.

Local Government (Soil Erosion and Sedimentation Control). Any county, incorporated village, town or city, or any combination of counties, incorporated villages, towns, and cities, acting through a joint program pursuant to the provisions of the Act and all rules and orders adopted pursuant thereto.

Local Road. Local roads generally are designed to provide final access to properties, rather than through movements. There is no control of access (i.e. no physical restrictions on access). Traffic signals are allowed, at a recommended minimum spacing of one-quarter (¼) mile. *Driveways* are allowed with full movement, but are still recommended to be consolidated or shared if possible. Roadways in this category will have neither a center left turn lane nor a median. Speed limits are generally regulated at 35 miles per hour or less.

Lot. A parcel of land occupied or capable of being occupied by a *structure* or group of *structures* devoted to a common *use*, together with the customary *accessory structures/uses* and *open spaces* belonging to the same.

Lot, Double-Fronted. A *lot* abutting two (2) *traveled ways*.

Lot, Existing. (See *Lot of Record*)

Lot, Flag. An irregularly shaped *lot* where the buildable portion of the *lot* is connected to a *road* by a narrow extension of the *lot*.

Lot, Auxiliary. *Lots* clearly identified and restricted for a designated use (placement of a *sign*, *common area(s)*, recreation area(s), water tank, pump station, etc.), not intended for sale, and clearly identified as such on development plans and *final plats*.

Lot, Zoning. A parcel of land that is designated by its *owner/developer* at the time of applying for a building permit as one (1) *lot*, all of which is to be used, developed or built-upon as a unit under single ownership. Such *lot* may consist of a: single *lot of record*; portion of a *lot of record*; combination of complete *lots of record*; combination of complete *lots* and portions of *lots of record*; or combination of portions of *lots of record*.

Lot Area. The amount of horizontal land area contained inside the *lot* lines of a *lot* or site.

Lot Line, Front. The line of a *lot* separating a *lot* from the edge of the *traveled way*.

Lot Line, Rear. The line of a *lot* which is opposite and farthest from the *front lot line*.

Lot of Record. A *lot* which is part of a *subdivision*, a *plat* of which has been recorded in the Register of Deeds Office of Henderson County prior to the adoption of this Chapter, or a *lot* described by metes and bounds, the description of which has been so recorded prior to the adoption of this Chapter.

Lot Size. The total horizontal area within the lines of a *lot*, exclusive of *road* or highway *rights-of-way*, measured in acres.

Low-Density Project. Any project that falls within the *low-density* threshold for *dwelling units* per acre or *built-upon area*.

Lowest Adjacent Grade. The elevation of the ground, sidewalk or patio slab immediately next to the *structure*, or deck support, after completion of the *structure*.

Lowest Floor. The lowest floor (subfloor, top of slab or grade) of the lowest enclosed area (including *basement*). An unfinished or flood resistant enclosure, usable solely for parking of

vehicles, building access or limited storage in an area other than a *basement* area is not considered a *building's* lowest floor provided that such an enclosure is not built so as to render the *structure* in *violation* of the applicable non-elevation design requirements of this Chapter.

Machining and Assembly Operations. An establishment engaged in the assembly, fabrication and/or modification of products utilizing specialized equipment to produce non-perishable goods generally created from alloys, plastics or other compounds. Machining and assembly operations differ from *manufacturing and production operations* as they do not create objects from raw materials; rather, they modify previously assembled parts, fabricate objects from finished materials (e.g. metal and plastic blanks) and/or assemble objects from pre-manufactured components.

Mailed Notice of Intent. A mailed notice which is required for *communication facilities category three (3)*. Mailed notices of intent for *communication facilities category three (3)* shall include: (1) a vicinity map showing proposed communication facility location; (2) a sketch of the communication facility with dimensions which indicate any proposed tower type and height; and (3) a statement from the *Communication Facilities Administrator* indicating the processes and procedures by which the communication facility may be permitted.

Manufactured Home. (See *Dwelling, Manufactured Home*).

Manufactured Home Park. A *tract* of land designed to accommodate three (3) or more *manufactured/mobile home* spaces, three (3) or more *manufactured/mobile homes* or any combination of such for rent or lease.

Manufactured Home Park Administrator. (See *Administrator, Manufactured Home Park*).

Manufactured Home Park Completion of Improvements Permit. A permit issued by the *Manufactured Home Park Administrator* to an *applicant* upon completion of improvements indicated in the *manufactured home park construction permit*, which certifies the *manufactured home park* conforms to the requirements of this Chapter. A completion of improvements permit is required in order to obtain *manufactured/mobile home* set-up permits or other building permits from the Henderson County Code Enforcement Services Department.

Manufactured Home Park Construction Permit. A permit issued by the *Manufactured Home Park Administrator* to an *applicant* upon approval of a *manufactured home park* application and *site plan* which certifies the *applicant* may begin improvements to the *manufactured home park* or *phase* thereof.

Manufactured Home Park/Manufactured Home Subdivision, Existing. A *manufactured home park* or *manufactured home subdivision* for which the construction of facilities for servicing the *lots* on which the *manufactured homes* are to be affixed (including, at a minimum, the installation of utilities, the construction of *roads* and either final site grading or the pouring of concrete pads) was completed before the initial effective date of the floodplain management regulations adopted by the community (July 5, 2005).

Manufactured Home Park Operator. The *person* responsible for the operation of a *manufactured home park*.

Manufactured Home Park Space. An area of land within a *manufactured home park* designed for the exclusive *use* of one (1) *manufactured/mobile home* and associated *accessory structures*. A space shall be defined on the ground by the presence of two (2) or more of the following: (1) a

water supply system service connection; (2) a *wastewater* disposal system service connection; and/or (3) electrical service equipment.

Manufactured Home Park Space, Preexisting. A manufactured home space within a *manufactured home park* which contains an occupied *manufactured/mobile home* or is defined on the ground by the presence of two (2) of the following: (1) a *water supply system* service connection; (2) a *sewage disposal system* connection; or (3) electric service equipment.

Manufactured/Mobile Home Graveyard. A parcel of land having an *accessory use* consisting of the storage or keeping of three (3) or more wrecked, dismantled, scrapped, ruined or dilapidated *manufactured/mobile homes, recreational vehicles* or *park model homes*, which are not occupied by humans.

Manufacturing and Production Operations. An establishment engaged in the mechanical, physical or chemical transformation of raw materials, substances or components into new products. Manufacturing and production operations are often described as plants, factories or mills and characteristically use power-driven machines and materials-handling equipment. Establishments that transform materials or substances into new products by hand may also be included in this sector. Manufacturing establishments may process materials or may contract with other establishments to process their materials for them. Both types of establishments are included in manufacturing. Almost all manufacturing and production operations have some captive research and development or administrative operations, such as accounting, payroll or management.

Map Amendment. (See *Amendment, Map*).

Market Value. The *structure* value, excluding the land value and that of any *accessory structures* or other improvements to the *lot* (as agreed to between a willing buyer and seller), as established by what the local real estate market will bear. Market value can be established by independent certified appraisal, replacement cost depreciated by age of *structure* (actual cash value) or adjusted assessed values.

Materials Recovery Facilities (Recycling). An establishment primarily engaged in (1) operating facilities for separating and sorting recyclable materials from non-hazardous waste streams (i.e., garbage (all putrescible wastes, including animal offal and carcasses, and recognizable industrial byproducts, but excluding sewage and human waste)) and/or (2) operating facilities where co-mingled recyclable materials, such as paper, plastics, used beverage cans and metals are sorted into distinct categories.

Mean Sea Level. The National Geodetic Vertical Datum (NGVD) as corrected in 1929, the North American Vertical Datum (NAVD) as corrected in 1988 or other vertical control datum used as a reference for establishing varying elevations within the *floodplain*, to which *Base Flood Elevations (BFEs)* shown on a *FIRM* are referenced. Refer to each *FIRM* panel to determine datum used.

Mental Health Facilities. A facility that provides services to individuals who are mentally ill, developmentally disabled, or substance abusers for one or more minors or for two (2) or more adults. These services shall be residential services provided for 24 consecutive hours or more. Facilities for individuals who are substance abusers include chemical dependency facilities (based on *NCGS §122C-3.(14)b.*).

MHP. *Manufactured Home Park.* (See *Manufactured Home Park*).

Mining and Extraction Operations. An establishment primarily engaged in mining, mine site development and beneficiating (i.e., preparing) metallic and nonmetallic minerals, including coal. This includes ore extraction, quarrying and beneficiating (e.g., crushing, screening, washing, sizing, concentrating and floating customarily done at the mine site), storage of mining overburden, conversion of aggregates to concrete or hot mix asphalt on property within or on industrially zoned parcels immediately adjacent to the State Mine Permit Boundary, and the production and storage of recycled concrete or asphalt pavement for conversion to finished product.

Model Home/Sales Office, Temporary. A *structure* used on a temporary basis for the purposes of generating sales within a *residential development*.

Motor Sports Facility. A facility, track or course upon which motor sports racing or racing practice is conducted.

Motor Sports Facility, Major. A motor sports facility having a seating or standing capacity of 500 or more patrons/spectators. Standing capacity (for the purposes of this definition) shall be computed based on three (3) persons for each 200 square feet of space intended for spectator use.

Motor Sports Facility, Minor. A motor sports facility having a seating or standing capacity of less than 500 patrons/spectators and not considered to be a recreational motor sports facility. Standing capacity shall be computed based on three (3) persons for each 200 square feet of space intended for spectator use.

Motor Sports Facility, Recreational. A motor sports facility designed and operated primarily for racing practice purposes. Recreational motor sports facilities do not provide: seating, cover, concessions or restrooms for spectators/patrons and shall have a capacity of less than 100 spectators and/or riders.

Motor Vehicle. A *vehicle* which is or is designed to be self-propelled and/or is designed or used for transporting *persons* or property. This definition includes watercraft but excludes aircraft.

Multi-Tenant Development. A development in which there exists a number of individual and/or separate activities and in which there are shared facilities (such as parking areas or pedestrian mall areas) (example: *Shopping Malls*, etc.).

Multiunit Assisted Housing with Services. An *assisted living residence* in which hands-on personal care services and nursing services (which are arranged by housing management) are provided by a licensed home care or hospice agency, through an individualized written care plan. The housing management has a financial interest or financial affiliation or formal written agreement which makes personal care services accessible and available through at least one (1) licensed home care or hospice agency. The resident has a choice of any provider, and the housing management may not combine charges for housing and personal care services. All residents or their compensatory agents, must be capable, through informed consent, of entering into a contract and must not be in need of 24 hour supervision. Assistance with self-administration of medications may be provided by appropriately trained staff when delegated by a licensed nurse according to the home care agency's established plan of care. Multiunit assisted housing with services programs are required to register with the Division of Facility Services and to provide a disclosure statement. The disclosure statement is required to be a part of the annual rental contract that includes a description of the following requirements: emergency response system;

charges for services offered; limitations of tenancy; limitations of services; resident responsibilities; financial/legal relationship between housing management and home care or hospice agencies; listing of all home care or hospice agencies and other community services in the area; an *appeals* process; and procedures for required initial and annual resident screening and referrals for services. *Continuing care retirement communities* are exempt from the regulatory requirements for multiunit assisted housing with services programs (NCGS §131D-2(7a)).

Natural Drainage and Filtering System. A drainage and filtering system which uses, in lieu of a curb and gutter system, vegetated ditches, grassed swales and/or other natural areas to carry and absorb *stormwater runoff* from *roads*, parking lots, *buildings* and other *impervious surfaces* where such runoff is not bypassed by gutters, drains, pipes, paved swales or other similar conduits. The purpose of a natural drainage and filtering system is to remove pollutants from *stormwater runoff* and to allow some ground absorption of the water prior to discharge into streams, rivers, lakes or other surface waters.

Natural Erosion. The wearing away of the earth’s surface by water, wind, or other natural agents under natural environmental conditions undisturbed by man.

NCAC. North Carolina Administrative Code.

NCDENR. North Carolina Department of Environmental and Natural Resources.

NCDOT. North Carolina Department of Transportation.

NCEMC. North Carolina Environmental Management Commission.

NCGS. North Carolina General Statutes.

Neighborhood. An area impacted by a *principal use*.

New Construction. *Structures* for which the “*start of construction*” commenced on or after the effective date of the initial *floodplain management regulations* (July 5, 2005) and includes any subsequent improvements to such *structures*.

NFIP. National Flood Insurance Program.

Non-Encroachment Area. The channel of a river or other *watercourse* and the adjacent land areas that must be reserved in order to discharge the *base flood* without cumulatively increasing the *water surface elevation* more than one (1) foot as designated in the *Flood Insurance Study* report.

Nonconforming. That which was lawfully created prior to the effective date of this Chapter or any portion thereof incorporated into this Chapter, or any amendment thereto, but which does not conform to one or more of the requirements of the Chapter. That which may be nonconforming includes the following:

- (1) Nonconforming *lot*;
- (2) Nonconforming *lot of record*;
- (3) Nonconforming *manufactured home park* (also referred to as pre-existing *manufactured home park*);
- (4) Nonconforming *outside/outdoor use*;
- (5) Nonconforming *structure*;
- (6) Nonconforming *structure* containing nonconforming *use*; and

(7) Nonconforming *use*.

Nonconforming Structure or Development (Flood Damage Prevention). Any legally existing *structure* or development which fails to comply with the current flood damage prevention provisions of this Chapter.

NPDES. National Pollutant Discharge Elimination System.

Nursing Home. A facility, however named, which is advertised, announced or maintained for the express or implied purpose of providing nursing or convalescent care for seven (7) or more persons unrelated to the licensee. A nursing home is a home for chronic or convalescent patients, who, on admission, are not as a rule, acutely ill and who do not usually require special facilities such as an operating room, X-ray, laboratory and obstetrical facilities. A nursing home provides care for persons who have remedial ailments or other ailments, for which medical and nursing care are indicated; who, however, are not sick enough to require general hospital care. Nursing care is their primary need, but they will require continuing medical supervision (*NCGS* §131E-101(6)). Nursing homes offering one or more levels of care, including any combination of skilled nursing, intermediate care and *adult care home* (commonly referred to as “combination homes”) shall be included with and regulated in the same fashion as a nursing home (*NCGS* §131E-101(1a)).

Obstruction (Flood Damage Prevention). Includes, but is not limited to, any dam, wall, wharf, embankment, levee, dike, pile, abutment, protection, excavation, channelization, bridge, conduit, culvert, *building*, wire, fence, rock, gravel, refuse, fill, *structure*, vegetation or other material in, along, across or projecting into any *watercourse* which may alter, impede, retard or change the direction and/or velocity of the flow of water, or due to its location, increase its propensity to snare or collect debris carried by the flow of water, or its likelihood of being carried downstream.

Occupied Building. (See *Building, Occupied*).

One-Year, 24-Hour Storm. The *surface runoff* resulting from a 24-hour rainfall of an intensity expected to be equaled or exceeded, on average, once in 12 months and with a duration of 24 hours.

Opaque. That which does not allow light to pass through.

Open Air Market. A market which is open to the outdoors throughout the year. Such a market may be conducted with or without a *structure*, however where a *structure* is erected such *structure* shall be built so as to be “open,” that is, no walls may be constructed which would be more than 25 percent closed.

Open Space. An area that is intended to provide light and air, and is designed for either environmental, scenic or recreational purposes. The term “open space” shall include *greenways* dedicated for environmental, scenic or recreational purposes. The term “open space” shall not include *roads* or any areas dedicated or reserved for a *road*. Those areas which shall not be considered open space include: land within *setbacks/separation areas*, *internal/external roads/rights-of-way*, *driveways*, parking spaces, *common area recreation and service facilities*, *sale/model homes*, solid waste disposal areas, and areas needed for aboveground utility facilities including water supply or *sewage disposal systems*.

Outside/Outdoor Use. A land use activity where the only *buildings* associated with such activities are incidental and accessory to the *principal use*. Land uses such as storage yards, used

car lots, auto wrecking, *salvage yards*, golf driving ranges, miniature golf courses, and *agriculture* are examples of outside/outdoor uses.

Outdoor Sale Display Area. An area reserved for the display of merchandise outdoors and associated with a *principal use* and/or *structure*.

Outdoor Storage. The keeping and/or storing of goods, products, supplies or equipment associated with a nonresidential *use* which is not in an *enclosed building*, nor in a *portable storage container*.

Overburden. The earth, rock, and other materials that lie above or in the natural deposit of materials to be mined.

Overlay District. A zone established through this Chapter which regulates the *use* of land beyond and in addition to those regulations of the underlying *use district*.

Owner. The legal or beneficial *owner* of land, including but not limited to a mortgagee or vendee in possession, receiver, executor, trustee, or long-term or commercial lessee, or any other *person* or entity holding proprietary rights in the property or having legal power of management and control of the property. This shall include long-term commercial tenants; management entities, such as those charged with or engaged in the management of properties for profit; and every person or entity having joint ownership of the property. A secured lender not in possession of the property does not constitute an *owner*, unless the secured lender is included within the meaning of owner under another description herein, such as a management entity.

PA. *Protected Area* (See *Protected Area*).

Packaging and Labeling Services. An establishment primarily engaged in packaging client owned materials. The services may include labeling and/or imprinting the package.

Parent. An *affiliate* that directly, or indirectly through one or more intermediaries, controls another *person*.

Park. Those areas developed for both passive and active recreational activities. The development may include, but shall not be limited to, walkways, benches, open fields, multiuse courts, swimming pools, wading pools, amphitheaters, etc. The term “*park*” shall not include zoos, *recreational vehicle parks*, *manufactured home parks*, *amusement parks*, equestrian racing facilities or dog racing facilities.

Park Model Home. A *recreational vehicle* which is: (1) built on a single chassis; (2) 400 square feet or less when measured at the largest horizontal projection; (3) self-propelled or permanently towable by a light duty truck; and (4) designed for temporary living quarters for recreation, camping, travel and seasonal *use* (but in no case for *use* as a permanent dwelling).

Perimeter Setback. (See Setback, Perimeter).

Person. Any individual, partnership, firm, association, joint venture, public or private corporation, trust, estate, commission, board, public or private institution, utility, cooperative, interstate body, or other legal entity.

Person Conducting Land-Disturbing Activity. Any *person* who may be held responsible for *violation* unless expressly provided otherwise by this Chapter, the Act, or any order adopted pursuant to this Chapter or Act.

Person Who Violates or Violator. As used in G.S. 113A-64, means: “any landowner or other Person who has financial or operational control over the land-disturbing activity; or who has directly or indirectly allowed the activity, and who has failed to comply with any provision of the Act, the rules of this Chapter or any order or local ordinance adopted pursuant to the Act as it imposes a duty upon that Person.

Phase. A portion of a development delineated on a development plan/*site plan*.

Phase of Grading. One (1) of two (2) types of grading: rough or fine.

PIN. (Property Identification Number).

Place of Assembly. A *structure* or area designed and designated to accommodate *persons* for the purposes of assembly.

Plan. (Soil Erosion and Sedimentation Control) An erosion and sedimentation control plan.

Planned Seasonal Agricultural Worker Development. A residential *use* of property for the purpose of seasonally housing workers hired to provide assistance in agricultural operations.

Planning Board. The Planning Board of Henderson County, North Carolina.

Planning Director. The Planning Director for Henderson County, or his/her designee, appointed and authorized to administer this Chapter. Any act authorized by this Chapter to be carried out by the Planning Director is, by implication, authorized to be carried out by a designee of the Planning Director.

Plat. A map showing planned or actual features of an area. A plat may depict a *subdivision* of land, designation of *right-of-way*, or other feature to be recorded into public record.

Police Station. A government establishment primarily engaged in criminal and civil law enforcement, police, traffic safety and other activities related to the enforcement of the law and preservation of order. Combined police and fire departments are included in this industry.

Portable Storage Container. A movable storage container, such as but not limited to “PODS,” which is placed temporarily.

Post-FIRM. Construction or other development for which the “start of construction” occurred on or after January 1, 1975 or on or after the effective date (March 1, 1982) of the initial *FIRM* for the area, whichever is later.

Pre-FIRM. Construction or other development for which the “start of construction” occurred before January 1, 1975 or before the effective date (March 1, 1982) of the initial *FIRM* for the area, whichever is later.

Principally Above Ground. At least 51 percent of the actual cash value of the *structure* is above ground.

Produce Stand. An establishment primarily engaged in retailing fresh fruits and vegetables where other ancillary items may be sold provided that the ancillary items constitute no more than: (1) 25 percent of gross sales, and (2) 25 percent of total display areas.

Product Processing and Storage Facilities. An establishment engaged in the intermediate steps of processing (e.g. packaging, removal of packaging, refrigeration, freezing, modification, etc.) and storage of goods subsequent to production and prior to shipment, sale or use. Product

processing and storage facilities do not include operations dealing with hazardous substances or waste.

Protected Area. The area adjoining and upstream of the *critical area* of WS-IV *watersheds*. The boundaries of the protected area are defined as: (1) within five (5) miles of and draining to the normal pool elevation of a reservoir or to the ridgeline of the *watershed*; or (2) within ten (10) miles upstream and draining to the intake located directly in the stream or river or to the ridgeline of the *watershed*.

Protected Mountain Ridge. A ridge with an elevation of 500 feet or more above the elevation of an adjacent *valley floor*.

Public Nuisance. (See *Public Safety*).

Public Safety. Anything which is injurious to the safety or health of an entire community or *neighborhood*, or any considerable number of *persons*; this includes that which unlawfully obstructs the free passage or use, in the customary manner, of any navigable lake, river, bay, stream, canal or basin.

Rail Transportation Facilities and Support Activities. An establishment primarily engaged in operating rail systems over regular routes on a regular schedule.

Recombination (Subdivision). The combining of previously subdivided and recorded *lots* or portions thereof where the total number of *lots* is not increased and the resulting *lots* meet the requirements of this Chapter.

Recreational Facilities (Indoor/Outdoor). A recreational facility that is outdoors and/or indoors and which may include: public or private operations, playing fields (soccer, baseball, etc.), courts (basketball, tennis, etc.), swimming pools, batting cages, shuffleboard areas, bowling alley, skating rink, bingo games, miniature race tracks (remote control only) and/or other such uses that fit the intent of this Chapter as determined by the Zoning Administrator. A recreational facility shall, for purpose of this Chapter, not include go-cart tracks (a recreational motor sports facility), golf courses, miniature golf courses, driving tees or driving ranges.

Recreational Vehicle (RV). A vehicular-type unit primarily designed as a temporary and mobile living quarters for recreational, camping or travel use, which either has its own mode of power or is mounted on and drawn by another *vehicle*. Such units do not satisfy the dimensional requirements of a *manufactured home*.

Recreational Vehicle (RV) (Flood Damage Prevention). A vehicular-type unit primarily designed as a temporary and mobile living quarters for recreational, camping or travel use, which either has its own mode of power or is mounted on and drawn by another *vehicle*. Such units do not satisfy the dimensional requirements of a *manufactured home*. A vehicle which is: (1) built on a single chassis; (2) 400 square feet or less when measured at the largest horizontal projection; (3) designed to be self-propelled or permanently towable by a light duty truck; and (4) designed primarily not for use as a permanent dwelling, but as temporary living quarters for recreational, camping, travel or seasonal use.

Recreational Vehicle (RV) Park. An establishment primarily engaged in operating sites to accommodate *park model homes* or *recreational vehicles*. These establishments may provide access to facilities, such as laundry rooms, recreational halls, playgrounds, stores and snack bars. An RV park will generally contain three (3) or more *park model homes* or *recreational vehicles*.

Recycling Centers, Drop-off. An establishment primarily engaged in receiving recyclable materials via drop-off.

Reference Level. The top of the *lowest floor* for *structures* within *Special Flood Hazard Areas* designed as Zone A1, A30, AE, A, A99 or AO. The portion of a *structure* or other development that must be compared to the *regulatory flood protection elevation* to determine regulatory compliance of such *structure*.

Redevelopment. Any *development* on previously-developed land, other than a rebuilding activity that results in no net increase in *built-upon area* and provides equal or greater *stormwater* control than the previous development.

Regulatory Flood Protection Elevation. The *Base Flood Elevation* plus the *Freeboard*. The elevation to which all *structures* and other development located within the *Special Flood Hazard Areas* must be elevated or *floodproofed*. In *Special Flood Hazard Areas* where *Base Flood Elevations (BFE's)* have been determined, this elevation shall be the *BFE* plus two (2) feet of *freeboard*. In areas where no *BFE* has been established, all *structures* and other development must be elevated or *floodproofed* to two (2) feet above the *highest adjacent grade* or *BFE* whichever is greater.

Related Parties. Any *person*, with respect to any *disqualified party*, who:

- (1) Is the spouse, sibling, parent or child of the *disqualified party*, or of any other *related party*.
- (2) Is the employee of the *disqualified party*.
- (3) Is the managing party, manager, director or *owner* of at least ten (10) percent of the ownership interest of the *disqualified party* (whether such *disqualified party* is a partnership, unincorporated association, corporation, limited liability company, or other entity).
- (4) Exercises the controlling interest in the *disqualified party*.
- (5) Is the administrator, executor, trustee or other fiduciary of the *disqualified party*.
- (6) Is controlled by the same entity or entities as the *disqualified party*.

Religious Institution. A *structure* and parcel on which it is located, in and on which *persons* regularly assemble for religious worship. This term includes all facilities which are on all or part of the premises and their associated *uses* which are: (1) traditionally operated or conducted by a congregation in furtherance of its mission, and/or (2) actually being operated or conducted by the congregation in furtherance of its mission (as permitted in the district in which it is located).

Remedy a Violation. To bring the *structure* or other development into compliance with state or Henderson County *floodplain management* regulations, or, if this is not possible, to reduce the impacts of its noncompliance. Ways that impacts may be reduced include protecting the *structure* or other affected development from flood damages, implementing the enforcement provisions of the Chapter or otherwise deterring future similar *violations*, or reducing Federal financial exposure with regard to the *structure* or other development.

Repetitive Loss. Flood-related damages sustained by a *structure* on two (2) separate occasions during any ten (10) year period for which the cost of repairs at the time of each such flood event, on the average, equals or exceeds 25 percent of the *market value* of the *structure* before the damage occurred.

Research and Development Operations (Hazardous or Biological Materials). An establishment primarily involved in research and development operations dealing directly with hazardous materials.

Research and Development Operations (Nonhazardous). An establishment primarily involved in research and development operations excluding hazardous materials.

Residential Density. The number of *dwelling units* permitted per acre of land.

Residential Zoning District. Zoning districts which include Residential District One (R1), Residential District Two (R2), Residential District Two Rural (R2R), Residential District Three (R3), Residential District Four (R4), Estate Residential Zoning District (R-40), Waterfront Residential District (WR), Surface Water District (SW), and Conditional District (CD).

Residuals. A solid or semisolid waste generated from a *wastewater treatment plant*, water treatment plant or air-pollution control facility permitted under the authority of the North Carolina Environmental Management Commission.

Retrofitting. Measures, such as *floodproofing*, elevation, construction of small levees and other modifications, taken on an existing *building* or its *yard* to protect it from flood damage or to manage *stormwater runoff*.

Right-of-Way. An *easement*, either public or private, on which an irrevocable right-of-passage has been recorded for *use* as a *road*, crosswalk, railroad, electric transmission line, oil/gas pipeline, water main, sanitary/storm sewer main, shade *trees* or other specified *use*.

Riparian. Of, on, or relating to the banks of a natural course/body of water; including the area of land adjacent to the course/body of water and the vegetation it contains.

Riverine. Relating to, formed by or resembling a river (including tributaries), stream, brook, etc.

Road. A *right-of-way* for vehicular traffic which affords the principal means of access to abutting properties.

Road, External. A *road* located outside of a development that abuts the development.

Road, Internal. A *road* located within a development.

Road, Private Subdivision Collector. A road or a section of a road which:

- (1) Provides direct or indirect access from the entrance of the subdivision inward to 50 or more existing or proposed dwelling units and is designed to be the main travel path for such residential access. The terminus or "last block" of a residential collector road ending in a dead end may be designed to the standards of a *private subdivision local road* as long as such "last block" serves fewer than 50 *dwelling units*;
- (2) Is designed/has the potential to serve in a future phase, property in the same ownership of the applicant that, if developed, will meet the 50 *dwelling unit* standard;
- (3) Connects proposed developments with existing developments where the aggregate sum of *dwelling units* in both developments is 50 or more;
- (4) Serves as a through-road connecting *lots* within a residential *subdivision* to more than one (1) public thoroughfare; and/or
- (5) Serves a nonresidential facility located within a residential development, such as a frequently used recreation area, clubhouse, golf course, public utility site, etc.

Road, Private Subdivision Limited Local. A *road* or group of *roads* which serves less than 50 existing or proposed *dwelling units* and does not connect *public roads*.

Road, Private Subdivision Local. A *road* which serves no more than four (4) residential *lots* each containing or to contain no more than one (1) existing or proposed principal *dwelling unit* and its associated driveway which does not connect multiple *public roads*. *Limited local road* standards shall also apply to roadways proposed solely for maintenance and/or emergency access purposes regardless of the number of *lots* it adjoins. Emergency access roads shall not be used to access *lots* within the subdivision and appropriate signage shall be required. Roads proposed for such purposes should be clearly identified on all plans and *final plats*.

Road, Public. A road which is state-maintained.

Road, Single-Loaded. A *road* serving property (*front yard* or *side yard*) on one (1) side only, with no need for access (to a *rear yard* or to *open space*) or parking on this other side.

Road Classification. *Roads* within the County shall be classified according to the following:

- (1) *Local Road.* *Local roads* are generally designed to provide final access to properties, rather than through movements (see *Local Road* for full definition).
- (2) *Collector Road.* *Collector roads* generally feature characteristics of moderate to low mobility and high accessibility, and serve as a link between through-roads and *local roads* (see *Collector Road* for full definition).
- (3) *Thoroughfare.* *Thoroughfares* generally feature characteristics of moderate to low mobility and high accessibility (see *Thoroughfare* for full definition).
- (4) *Boulevard.* *Boulevards* generally consists of moderate mobility and low to moderate accessibility (see *Boulevard* for full definition).
- (5) *Expressway.* *Expressways* generally feature characteristics of high mobility and moderate to low accessibility (see *Expressway* for full definition).
- (6) *Freeway.* *Freeways* generally feature characteristics of high mobility and low accessibility, or full control of access (see *Freeway* for full definition).

Road Frontage. Having *frontage* along a *road*, as defined herein.

Rooming and Boardinghouse. An establishment primarily engaged in operating rooming and boardinghouses and similar facilities including, but not limited to: cottages, off-campus dormitories, residential clubs and workers' camps. These establishments provide temporary or longer-term accommodations which, for the period of occupancy, may serve as a principal residence. These establishments also may provide complementary services, such as housekeeping, meals and laundry services.

ROW. *Right-of-way* (See *Right-of-Way*).

Rural Family Occupation. An *accessory use* of a *structure* for a limited nonresidential purpose that is clearly incidental and subordinate to the *use* of the property for residential purposes and which is more expansive (in size, number of employees, outside storage area and/or *structures*) than a *home occupation*.

S-9.5B Asphalt. Type of asphalt concrete surface which is currently used by *NCDOT*.

Salvage Yard. A nonresidential property used for the storage, collection and/or recycling of any type of equipment and including but not limited to *vehicles*, appliances and related machinery.

Sawmill. An establishment primarily engaged in sawing dimension lumber, boards, beams, timbers, poles, ties, shingles, shakes, siding and wood chips from logs or bolts. Sawmills may plane the rough lumber that they make with a planing machine to achieve smoothness and uniformity of size.

School (Home). A nonpublic school as defined and in accordance with *NCGS* §115C, Article 39, Part 3 (or its successor). Zoning setbacks and separation setbacks requirements do not apply to home schools.

School (Public/Private/Charter). An elementary or secondary school, whether private or public, established under *NCGS* Chapter 115C (or its successor). Schools include:

- (1) Public School. A school operated under the jurisdiction of the Henderson County Board of Education and supported by tax revenue, or any charter school.
- (2) Private School. A school having a curriculum similar to those of a public school.
- (3) Charter School. A school authorized and operating under *NCGS* Chapter 115 C, Article 16, Part 6A (or its successor).

School (Technical, Trade and Business). An establishment primarily engaged in offering vocational, technical and business training in a variety of technical and/or business subjects and trades. Business schools are primarily engaged in offering courses in: office procedures, secretarial skills, stenographic skills, and basic office skills (i.e. word processing, office machine operation, reception, communications, and other skills designed for individuals pursuing a clerical or secretarial career). Technical and trade schools offer a variety of courses often leading to job-specific certification.

Screening. A *structure* or planting that conceals view from public ways or adjacent property.

Section (Phase). A grouping of three (3) or more *lots*, *rights-of-way*, common space and associated improvements therein, in a Preliminary Plan, numbered consecutively and relating to stages of a Master Plan.

Sediment. Solid particulate matter, both mineral and organic, that has been or is being transported by water, air, gravity, or ice from its site of origin.

Sedimentation. The process by which *sediment* resulting from *accelerated erosion* has been or is being transported off the site of the *land-disturbing activity* or into a *lake or natural watercourse*.

Senior Center. A community facility where older adults come together for services and activities that reflect their skills and interests and respond to their diverse needs. Centers are a resource for the entire community, providing services and information on aging, and assisting family and friends who care for older *persons*. For older *persons* at risk of losing their self-sufficiency, *senior centers* are the entry point to an array of services that will help them maintain their independence. Any variety of services to individuals or groups may be accessed depending on local community circumstances. *Persons* of differing backgrounds share and learn from each other. *Persons* of all ages with all types of skills and interests are needed to perform vital roles and enhance the services and programs at the centers. (North Carolina Division of Aging and Adult Services).

Setback. The required distance between the location of a *structure* and/or operation and some other point of location, most typically a *lot line*, *right-of-way* or edge of *traveled way*.

Setback, Front Yard. A *setback* measured from the property line determined to be the *front yard*. Where the *front yard* falls along a *road*, the *setback* is to be measured from the edge of the public *right-of-way* or, where no *right-of-way* exists, edge of *traveled way*.

Setback, Perimeter. A *setback* measured from all *lot lines* of a parcel. Where the property boundary falls along a *road*, the *setback* is to be measured from the edge of the public *right-of-way*. The perimeter setback shall apply to the *use* and any *structures* associated with the *use* (this shall not include parking, however).

Sewage Disposal System. Any facilities for *wastewater* (sewage) collection, treatment and disposal which may be of the following types: *septic tank sewage disposal system*, *approved public or community sewage disposal system*, or *municipal sewage disposal system*.

Sewage Disposal System, Municipal. A *sewage disposal system* that is owned and operated by a *local government*.

Sewage Disposal System, Approved Public or Community. A *sewage disposal system* which is a single system of sewage collection, treatment and disposal owned and operated by a sanitary district, metropolitan sewage district, water and sewer authority, county, municipality or public utility constructed and operated in compliance with applicable requirements of the North Carolina Division of Environmental Management.

Sewage Disposal System, Septic Tank. A *sewage disposal system* which consists of a settling tank and subsurface disposal field.

SFHA. *Special Flood Hazard Area* (See *Special Flood Hazard Area*).

Shear Wall. Walls used for structural support but not structurally joined or enclosed at the end (except by breakaway walls). Shear walls are parallel or nearly parallel to the flow of water.

Shooting Range, Commercial. An area, indoors or outdoors, designed and operated for profit for the use of rifles, shotguns, pistols, silhouettes, skeet, trap, black powder, or any other similar sport shooting. This includes any such area owned and/or operated by a for-profit or non-profit entity which requires membership dues to be a member, or which requires any remuneration (including “donations”) in exchange for access to the area, or any other organization that meets the requirements of the exception to the Noise Ordinance in Section 18-4.A.3. For the purpose of this chapter, private shooting that does not meet the above standards for commercial shooting ranges shall be allowed by right without a zoning permit provided that it complies with Chapter 23 of the Henderson County Weapons Ordinance, 23-10.C.

Shopping Mall. A *building* that contains commercial establishments which have interconnecting and enclosed walkways making it easy for people to walk from establishment to establishment.

Shrub. A woody *deciduous* or *evergreen* plant which consists of a number of small branches from or near the ground.

Sight Visibility Triangle. A triangular area formed when connecting new *roads* to existing state maintained *roads*, that is measured a distance of 70 feet along the existing *road right-of-way* and ten (10) feet along the new *road right-of-way* as defined by *State Road Standards* (see *State*

Road Standards). The area within the sight visibility triangle shall remain unobstructed between three (3) and ten (10) feet above grade.

Sign. A sign may consist of any of a combination of the following: words, designs, emblems, figures, phrases, trade names, trademarks, devices, lettering, numerals, sentences, parts of letters or parts of numerals. A sign may be made of any material (other than live vegetation) including any surface, fabric or other material background and the *structure* designed to carry such materials. A sign shall not include: (1) architectural features of a *building*, even when identifiable with certain establishments; and (2) works of art provided they do not include logos, business names or features that would be advertising the business where the work of art is located. Any art located on a traditional sign shall be considered as part of the sign.

Sign, Agricultural. A *sign* advertising agricultural products for sale.

Sign, Animated. A *sign* using flashing or intermittent lights, sound, color changes or other mechanical or electrical means to give motion, the impression of motion/movement or the optical illusion of motion to the *sign*; or any *sign* with visible moving, revolving or relocating parts; provided, however, this shall not include time/date/temperature or *electronic message signs*.

Sign, Area of a. Multiply the vertical distance measured from the highest point to the lowest point on the *sign* face and the maximum horizontal distance across the *sign* face.

Sign, Attached. A *sign* attached to, applied on or supported by any part of a *building*; including, but not limited to any of the following: *wall signs*, *window signs*, *signs* on canopies, *signs* on awnings or *signs* on *marquees*.

Sign, Awning. A temporary hood or cover which projects from the wall of a *building*, and which may include a type which can be retracted, folded or collapsed against the face of a supporting *building*.

Sign, Banner. A flag or other piece of cloth bearing a message that is supported on two (2) vertical or horizontal sides.

Sign, Changeable Copy. A permanently unframed *sign*, illuminated or not, which is principally devoted to and designed for changeable copy text and graphics, but which specifically excludes time/date/temperature *signs* and *electronic message signs*. Changeable *copy signs* may involve either manual or automatic changeable copy. An automatic changeable *copy sign* which changes more than two (2) times in a 24 hour period shall be defined to be an *electronic message sign*. *Portable signs* are not considered changeable *copy signs*.

Sign, Commemorative. A *sign* which denotes, honors, celebrates, acknowledges or is in remembrance of an historical *person*, place or event.

Sign, Community Identification. A *sign* erected to identify a specific community, residential *subdivision*, multifamily housing development or *manufactured home park* for which boundaries and characteristics have been established and recognized by the Planning Department.

Sign, Construction. A *sign* whose message is limited to identification of architects, engineers, contractors and other persons involved with the construction project or which may include the name, purpose and expected completion date of the *building*.

Sign, Copy. Words, letters, numbers, figures, designs or other symbolic representations incorporated into a *sign*.

Sign, Development Identification. A *sign* bearing only the name of a *multi-tenant development*.

Sign, Directional. A *sign* whose sole purpose is to direct pedestrian or vehicular traffic on the premises on which it is displayed. Examples include: “in,” “out,” “entrance,” “exit” and “driveway.”

Sign, Double-Faced. A *sign* constructed to display its message on the outer surface of two (2) identical and opposite parallel planes.

Sign, Electronic Message. A *sign* which displays changeable information and is composed of a series of lights that may be changed automatically through electronic means, including LED displays. All messages shall be visible for a minimum of three (3) seconds and shall not play video. These will not be deemed to constitute changeable copy or *animated signs*.

Sign, Externally Illuminated. A *sign* which reflects light from a source intentionally directed upon it from a distance.

Sign, Flag. A flag or other piece of cloth bearing a message that is supported on one (1) vertical side by a pole.

Sign, Flashing. A *sign* illuminated by direct or indirect artificial light that flashes on and off in regular or irregular sequences, including, but not limited to, strobe light.

Sign, Governmental. A *sign* erected by or on the order of an authorized public official which includes, but is not limited to, traffic control, road name/identification, warning, directional, public notice or similar *signs*.

Sign, Ground. A freestanding or monument *sign*, flush to the ground, and not elevated upon poles/stanchions or attached to a *building/structure*.

Sign, Home Occupation. A *sign* identifying a *home occupation (general, adult daycare or childcare facility)*.

Sign, Incidental. A *sign* attached wholly to a *building*, window or door containing information relative to emergencies, store hours, credit cards honored and other similar accessory information.

Sign, Inflatable. A *sign* that is blown up (increased in volume) with air or gas.

Sign, Internally Illuminated. A *sign* whose light source is located in the interior of the *sign* so that the rays go through the face of the *sign*, or where the light source is attached to the face of the *sign* and is perceived as a design element of the *sign*.

Sign Height. The vertical distance from the uppermost point used in measuring the area of a *sign* to the average grade immediately below and adjoining the *sign*. For *outdoor advertising signs*, *sign height* shall be measured from the existing *road grade* to the uppermost point on the *sign structure*.

Sign, Marquee. A *sign* of a theater, auditorium, fairground or museum which advertises current and scheduled events. Marquees may include, incorporate or consist of *electronic message signage*.

Sign, Menu Board. A freestanding or wall mounted *sign* primarily designed for the display of menu items and prices for the purpose of placing orders for such items in conjunction with a restaurant utilizing drive-through service. Said *signs* are considered *incidental signs*.

Sign, Monument. See ground sign.

Sign, Multi-Faceted. A *sign* that contains more than one (1) plane in the *sign* face.

Sign, Multi-Tenant Development. A *sign* bearing the name of individual *tenants* located within a *multi-tenant development* and which may include the name of the *multi-tenant development*.

Sign, On-Premise. A *sign* used for the purpose of displaying, advertising, identifying or directing attention to a business, products, operations or services sold or offered on the *lot of record* where the *sign* is located.

Sign, Outdoor Advertising. A *sign* or *structure*, pictorial or otherwise, that draws attention to or communicates information about a business, profession, service, commodity, product, accommodation, event, attraction or other enterprise or activity that exists or is conducted, manufactured, sold, offered, maintained or provided at a location other than on the premises where the *sign* or *structure* is located. Outdoor advertising does not, for the purposes of this Chapter, include *billboards*.

Sign, Pole. A freestanding *sign* which is permanently affixed to the ground by a pole or other *structure* and which is not part of the *building*. This shall not be considered to include *signs* on canopies.

Sign, Political. A *sign* promoting or publicizing a candidate/candidates for election or *signs* related to issues on a ballot. Such *political signs* may be erected at any time subsequent to filing for candidacy or the placement of an issue on the ballot.

Sign, Portable. A *sign* that is not permanently affixed to a *structure*.

Sign, Property Identification. A *sign* that contains the property address (*road* name and house number), homeowner's name or name of business or other identifying symbol of a *building*, profession, institution or service conducted on the *lot*.

Sign, Regulatory. A *sign* erected for the purposes of traffic control, as regulated by the Manual on Uniform Traffic Control Devices (MUTCD), including warning, safety and railroad *signs*.

Sign, Roof. An *attached sign* erected, constructed or maintained on, upon or over the roof of any *structure* and which is wholly or partially dependent upon the roof for support.

Sign, Sandwich Board. A *portable sign* which is *single-* or *double-faced*, which may readily be moved from place to place, and which is intended to be used on a sidewalk or pedestrian way. These *signs* are considered temporary in nature.

Sign, Single-Tenant Development. A *sign* bearing the name of the single *tenant* of an individual parcel.

Sign, Temporary. A *sign* with or without a structural frame, not permanently attached to a *building*, *structure* or the ground and intended for a limited period of display. Any *sign* announcing a one (1) time event such as "Grand Opening," "Sale Saturday" and the like and may include the following: *sandwich board signs*, *wind signs*, *changeable copy signs*, *inflatable signs*, banners, pennants, streamers and/or posters (excludes *portable signs*).

Sign, Temporary Event. A *sign* placed temporarily to direct traffic to special events, festivals, etc.

Sign, Time/Date/Temperature. A *sign* containing numerals or letters, which may be alternately displayed and which show the time, date and/or temperature. This *sign* shall not be considered a *flashing* or an *animated sign*.

Sign, Vehicle Sale. A *sign* affixed to the window of a *vehicle* displaying terms of sale of said *vehicle* and placed on property where the *owner* of the *vehicle(s)* resides.

Sign, Wall. A *sign* painted/attached flat against, parallel to or projecting from the exterior wall or surface of a *structure*.

Sign, Wind. A suspended *sign* made of a flexible material such as canvas, sailcloth, plastic or waterproof paper, including, but not limited to, banners, pennants, spinners or streamers. These *signs* are considered temporary.

Sign, Window. A *sign* which is permanently painted on, attached to or designed to be visible through a window (excluding displays of merchandise).

Sign Setback. The *setback* of a *sign* is measured from the closest portion of the *sign* or *sign structure* to the closest property line on which the *sign* fronts.

Sign Stanchion. A vertical supporting beam, post, pole or rod.

Sign Structure. A *structure* which supports, has supported or is capable of supporting a *sign*, including any decorative cover for said *sign structure*.

Single-Family Residential Development. A *residential development* where no *building* contains more than one (1) *dwelling unit*.

Siltation. *Sediment* resulting from *accelerated erosion* which is settleable or removable by properly designed, constructed, and maintained control measures; and which has been transported from its point of origin within the site of a *land-disturbing activity*; and which has been deposited, or is in suspension in water.

Site Plan. The *site plan* shall contain all items required by the County for applicable review. Such plan may include, but not be limited to, the following: (1) the approximate boundaries of the site; (2) significant topographical and other natural features effecting development of the site; (3) proposed vegetation removal and *open space* preservation; (4) the approximate location on the site of existing and proposed *structures*, coverage of *lot* by those *structures* and other improvements; (5) the approximate dimensions, including height and scale, of the proposed *structures* (and their relation to surrounding existing and proposed future *uses*); (6) the approximate locations and dimensions of proposed *buffers* and landscaping; (7) the proposed location and dimensions of *signs*; (8) the approximate location of all existing and proposed infrastructure on the site, including *stormwater*, water, sewer, *roads*, parking and pedestrian walkways; and (9) any proposed phasing.

Site-Specific Vesting Plan. A plan which has been submitted to the County by a landowner describing with reasonable certainty the type and intensity of *use* for a specific parcel or parcels of property. Such plan may be in the form of, but not be limited to, any of the following plans or approvals: a preliminary or master development plan, *Special Use Permit*, or any other land-use approval designation as may be utilized by the County. Such plan shall include: (1) the approximate boundaries of the site; (2) significant topographical and other natural features effecting development of the site; (3) the approximate location on the site of the proposed *buildings*, *structures* and other improvements; (4) the approximate dimensions, including height,

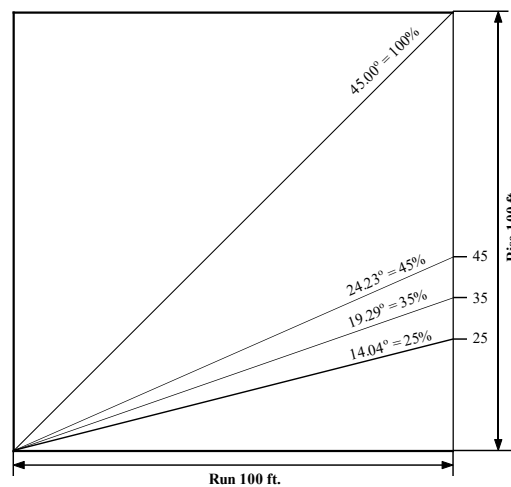
of the proposed *buildings* and other *structures*; and (5) the approximate location of all existing and proposed infrastructure on the site, including water, sewer, *roads* and pedestrian walkways. A *variance* shall not constitute a *site-specific vesting plan*, and approval of a *site-specific vesting plan* with the condition that a *variance* be obtained shall not confer a vested right unless and until the necessary *variance* is obtained. Neither a sketch plan nor any other document which fails to describe with reasonable certainty the type and intensity of *use* for a specified parcel/parcels or property may constitute a *site-specific vesting plan*. (See *NCGS* §160D-102(29)).

Sketch Plan (Soil Erosion and Sedimentation Control). A graphic illustration used to depict proposed *land-disturbing activities*.

Slope. The level inclination of land from the horizontal plane determined by dividing the horizontal run of the land into the vertical rise of the same land and converting the result into a percentage value. For purposes of measurement, property must be at least 25 feet vertically and 50 feet horizontally. See Figure 19A, for measuring slope.

Figure 19A. Measurement of Slope

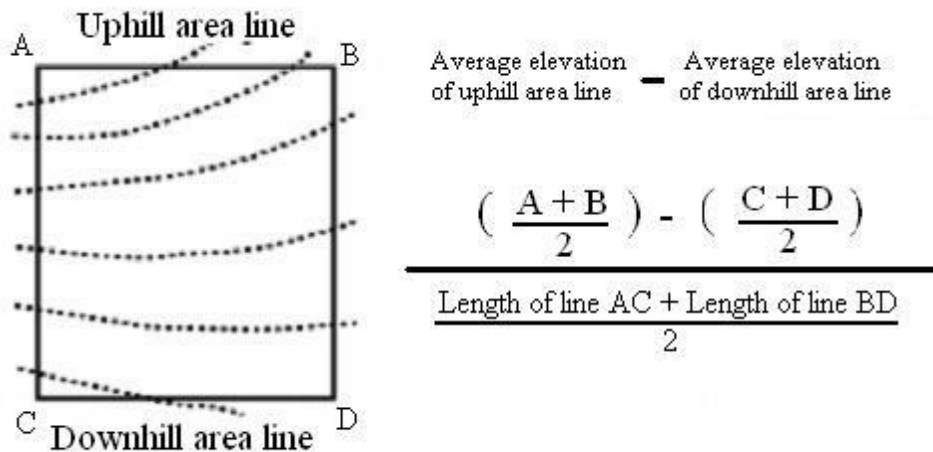
Not to Scale



Slope, Average. Calculating the average slope of the disturbed area is based on the elevations at the corners. An imaginary rectangle or square would have to be applied to calculate the area. The average slope is calculated by subtracting the average elevation of the uphill area line and the average elevation of the downhill area line and dividing the sum by the average distance between the two (2) area lines. The average elevation of the uphill or downhill area line is calculated by adding the elevations at the ends of the area line and dividing by two (see Figure 19B, for calculating average slope).

Figure 19B. Calculating Average Slope

Not to Scale



Slope, Steep. A *slope* greater than 60 percent, identified as part of: (1) a County Soil Survey prepared by the USDA Natural Resources Conservation Service; and/or (2) a site analysis conducted by a registered professional engineer, professional land surveyor, landscape architect, architect or land planner and calculated using topographic maps from an actual survey or from the US Geological Society.

Small Area Zoning Study. An application which is both too large and too disconnected from other zoning districts to be considered as a standard rezoning application and which, should be considered as a small area zoning study based on Planning Board *determination*.

Soil Erosion and Sedimentation Control Administrator. (See *Administrator Soil Erosion and Sedimentation Control*).

Solar Energy Generation Facility. Any nonresidential solar collection applications designed to facilitate the capture and conversion of solar energy for the purpose of supplying electricity to utility companies. This definition does not include solar panels accessory to a principal use.

Solid Waste. Hazardous or non-hazardous garbage or other refuse, rubbish, litter, trash, tires, and other discarded solid materials and solid or semisolid waste materials resulting from industrial, commercial and agricultural operations and from community activities, but does not include solids or dissolved materials in domestic sewage or other significant pollutants in water resources, such as silt, dissolved or suspended solids in industrial *wastewater* effluent, dissolved materials in irrigation return flows or other common waster pollutants. As used herein, “solid waste” shall refer collectively to any or all of the aforementioned waste materials, unless otherwise specified.

Solid Waste Disposal Facility. Any land, personnel and equipment used in the management of *solid waste*. *Solid waste* management facilities include the following: transfer stations, *landfills* or *materials recovery facilities*. Specifically excluded from this definition and any regulation under this Chapter are: incinerators; *drop-off recycling centers*; and those *solid waste* management facilities that are constructed and/or operated by or on behalf of any local, state or federal governmental entity (provided, however, that this exclusion from regulation only applies to those *solid waste* management facilities not operating as a hazardous waste disposal facility or radioactive waste disposal facility (which are prohibited in all zones)).

Solid Waste Disposal Facility (Flood Damage Prevention). Facility involved in the disposal of *solid waste*, as defined in NCGS 130A-290(a)(35). Land, personnel and equipment used in the management of *solid waste*. *Solid waste* management facilities include the following: (1) transfer station; (2) *landfill*; or (3) materials recovery facility.

Solid Waste Disposal Site. Any place at which *solid wastes* are disposed of by incineration, sanitary *landfill*, or any other method as defined as in (NCGS §130A-290(a)(36)).

Solid Waste Facility, County Owned/Operated. A facility that is owned and operated by Henderson County Government for the purpose of disposing of and/or transferring solid waste. This establishment is primarily engaged in one or more of the following: (1) collecting and/or hauling waste and/or recyclable materials; (2) operating waste transfer stations; (3) disposal of solid waste on land in a sanitary manner; (4) storing solid waste resulting solely from land-clearing activities; (5) receiving recyclable materials via drop-off or by commercial waste haulers; and/or (6) separating and sorting recyclable material from non-hazardous waste streams (excluding sewage and human waste) and where co-mingled recyclable materials are sorted into distinct categories. Accessory uses and structures such as scale houses, loading docks, office buildings associated with the solid waste facility, and any related accessory use or structure are allowed under this definition.

Special Fill Permit. A permit granted pursuant to the procedures set out in of this Chapter to fill an area of the *flood fringe* greater than the area of *flood fringe* permitted by this Chapter in accordance with the requirements of this Chapter.

Special Flood Hazard Area (SFHA). The land in the *floodplain* subject to a one (1) percent or greater chance of being flooded in any given year, determined in §42-232.2 (Basis for Establishing the Special Flood Hazard Areas).

Special Use. *Uses* that are generally compatible with land *uses* permitted in a general *use district*, however, because of their unique characteristics or potential impacts on the surrounding *neighborhood* and/or the County as a whole, require individual consideration of their location, design, configuration and/or operation at the particular location proposed. A special use must meet both the specific standards for the *use* as well as the general standards for the issuance of *Special Use Permits*. Special uses are permitted *uses* which require a *Special Use Permit*.

Special Use Permit. A permit issued to authorize development or land uses in a particular zoning district upon presentation of competent, material, and substantial evidence establishing compliance with one or more general standards requiring judgement and discretion be exercised as well as compliance with specific standards.

Start of Construction. Includes *substantial improvement*, and means the date the building permit was issued, provided the actual *start of construction*, repair, reconstruction, rehabilitation,

addition, placement or other improvement was within 180 days of the permit date. The actual start means either the first placement of permanent construction of a *structure* (including a *manufactured/mobile home*) on a site, such as the pouring of slabs or footings, installation of piles, construction of columns, or any work beyond the state of excavation; or the placement of a *manufactured/mobile home* on a foundation. Permanent construction does not include land preparation, such as clearing, grading and filling; nor does it include the installation of *roads* and/or walkways; nor does it include excavation for a *basement*, footings, piers or foundations or the erection of temporary forms; nor does it include the installation on the property of *accessory structures*, such as *garages* or sheds not occupied as *dwelling units* or not part of the main *structure*. For *substantial improvement*, the actual *start of construction* means the first alteration of any wall, ceiling, *floor* or other structural part of the *structure*, whether or not that alteration affects the external dimensions of the *structure*.

State Road Standards. Those standards contained in the *NCDOT* publication *Subdivision Roads—Minimum Construction Standards*, dated January 1, 2000, as amended.

Steep Slope. (See Slope, Steep).

Stop-Work Order. The *Floodplain Administrator* may issue a stop-work order where *floodplain* development is occurring, in accordance with specific procedures and reasons outlined therefore.

Storm Drainage Facilities. The system of inlets, conduits, channels, ditches and appurtenances which serve to collect and convey *stormwater* through and from a given drainage area.

Stormwater Best Management Practices (BMP). (See Best Management Practices (BMP), Stormwater).

Stormwater BMP Manual. (See BMP Manual, Stormwater).

Stormwater Runoff. The runoff of water resulting from precipitation in any form.

Structure. That which is built or constructed (North Carolina State Building Code, Chapter 2, Section 202).

Structure (Flood Damage Prevention). A walled and roofed *building*, a *manufactured home*, or a gas, liquid, or liquefied gas storage tank that is principally above ground. Anything constructed or erected, the *use* of which requires permanent location on the ground or which is attached to something having permanent location on the ground; however, anything constructed or erected solely to provide ingress and egress to the site, ornamental enhancement of the property (exclusive of *buildings*), site stabilization, on-site utilities/lighting or property fencing shall not be considered a *structure* for the purposes of the *floodplain management regulations* of this Chapter.

Structure, Accessory. A *structure* which is located on the same parcel of property as the *principal structure*, the *use* of which is incidental to the *use* of the *principal structure*. *Garages*, *carports* and storage sheds are common accessory structures. Pole barns, hay sheds and the like qualify as accessory structures on farms, and may or may not be located on the same parcel as the farm dwelling or shop *building*. This term expressly includes aircraft hangars.

Structure, Alternative. A *structure* which is not primarily constructed for the purpose of holding *antennas*, but on which one or more *antennas* may be mounted. *Alternative structures* include, but are not limited to: *buildings*, water tanks, *pole signs*, *billboards* and electric power transmission towers.

Structure, Appurtenant. (See *Structure, Accessory*).

Structure, Principal. A *structure* in which is conducted, or in which is intended to be conducted, the main or *principal use* of the *lot* on which it is located.

Structure, Temporary. A *structure* placed and permitted on a temporary basis.

Structural Stormwater Best Management Practices (BMP). (See Best Management Practices (BMP), Structural Stormwater).

Subdivision. All divisions of a *tract* or parcel of land into two (2) or more *lots*, building sites or other divisions for the purpose of sale or development (whether immediate or future) and shall include all divisions of land involving the dedication of a new *road* or a change in existing *roads*, but the following shall not be included within this definition:

- (1) Combination or *recombination* of portions of previously subdivided and recorded *lots* where the total number of *lots* is not increased, and the resultant *lots* are equal to or exceed the standards of this Chapter;
- (2) Division of land into parcels greater than ten (10) acres where no *road right-of-way* dedication is involved;
- (3) Public acquisition by purchase of strips of land for the widening or opening of *roads*; or
- (4) Division of a *tract* in single ownership whose entire area is no greater than two (2) acres into not more than three (3) *lots*, where no *road right-of-way* dedication is involved and where the resultant *lots* are equal to or exceed the standards of this Chapter and the *subdivision* regulations for the County (NCGS §160D-802).

Subdivision, Major. A proposed *subdivision* of land where 11 or more *lots* or parcels will result after the *subdivision* is complete.

Subdivision, Minor. A proposed *subdivision* of land where not more than ten (10) *lots* or parcels will result after the *subdivision* is complete. One (1) *phase* of a development cannot be considered a *minor subdivision* unless the entire development does not exceed ten (10) *lots*.

Subdivision, Nonstandard. The proposed *subdivision* of land for purposes other than individual residential *lot* development including:

- (1) Facilities such as *utility substation* sites, meter vaults, pump station sites, *sign lots*, etc.;
- (2) Cemetery plots;
- (3) Designated *open space* or *common area* sites; and/or
- (4) Any other *subdivision* of land which does not fall within a category herein designated.

Subdivision, Special. An option to the *minor subdivision* provision, where not more than five (5) *lots* or parcels will result after the *subdivision* is complete.

Subdivision Administrator. (See *Administrator, Subdivision*).

Subsidiary. An *affiliate* that is directly or indirectly, through one or more intermediaries, controlled by another *person*.

Substantial Damage. Damage of any origin sustained by a *structure* during any one (1) year period whereby the cost of restoring the *structure* to its before-damaged condition would equal or exceed 50 percent of the *market value* of the *structure* before the damage occurred.

Improvements, modifications and *additions* to existing *buildings* are counted cumulatively for a minimum of five (5) years. See definition of *Substantial Improvement*.

Substantial Improvement. Repair, reconstruction, rehabilitation, *addition* or other improvement of a *structure*, taking place during any one (1) year period, the cost of which equals or exceeds 50 percent of the fair *market value* of the *structure* before the *start of construction* of the improvement, or when an existing *building* is structurally altered such that the first floor area is increased by more than 20 percent. Improvements, modifications and *additions* to existing *buildings* are counted cumulatively for a minimum of five (5) years. This term includes *structures* which have incurred *substantial damage*, regardless of the actual repair work performed. The term does not, however, include either:

- (1) Any correction of existing *violations* of State or Henderson County health, sanitary or safety code specifications which have been identified by the community code enforcement official and which are the minimum necessary to assure safe living conditions; or
- (2) Any alteration of an *historic structure* provided that the alteration will not preclude the *structure's* continued designation as an *historic structure*.

Substantial Progress. To determine whether sufficient progress has been made on an approved plan (site or subdivision), one (1) or more of the following construction activities toward the completion of a plan shall occur: (1) obtaining a grading permit and conducting grading activity on a continuous basis and not discontinued for more than 30 days; (2) installation and approval of on-site infrastructure; or (3) obtaining a building permit for the construction and approval of a building foundation. This is not equivalent to the substantial expenditures test used for determining vested rights.

Substantive Amendment. (See *Amendment, Substantive*).

Swimming Pool, Spa, Hot Tub, Residential. Swimming pools, spas and hot tubs built on the same site as, and for the *use* of those residing in a *dwelling unit*.

Synagogue. (See *Religious Institution*).

Temple. (See *Religious Institution*).

Ten-Year Storm. A rainfall of an intensity that, based on historical data, is predicted by a method acceptable to the *Approving Authority* to be equaled or exceeded, on the average, once in ten years, and of a duration that will produce the maximum peak rate of runoff for the watershed of interest under average antecedent wetness conditions.

Tenant. A *person*, corporation, partnership or group, whether or not the legal *owner* of record, occupying a *building* or portion thereof as a unit.

Text Amendment. (See *Amendment, Text*).

Thoroughfare. Thoroughfares generally feature characteristics of moderate to low mobility and high accessibility. Access control points are allowed, but limited. No control of access is allowed in the category. Traffic signals are allowed and recommended at one-half (½) mile intervals. *Driveways* are allowed with full movement, but are still recommended to be consolidated or shared if possible. This category includes all *roads* with a two-way center left-turn lane, but no *roads* with medians. Speed limits generally are posted between 25 to 55 miles per hour.

Top of Bank. The ordinary high water level for a water basin or wetland, and the break in slope for a watercourse.

Toxic Substance. A substance or combination of substances (including disease-causing agents) which, after discharge and upon exposure, ingestion, inhalation or assimilation into any organism, either directly from the environment or indirectly by ingestion through food chains, has the potential to cause death, disease, behavioral abnormalities, cancer, genetic mutations, physiological malfunctions (including malfunctions or suppression in reproduction or growth) or physical deformities in such organisms or their offspring or other adverse health effects.

Tract. An area, site, piece of land or property which is the subject of a development application. A tract may contain one or more smaller parcels or *lots* all under/in the same ownership or control.

Tract (Soil Erosion and Sedimentation Control). All contiguous land and bodies of water being disturbed or to be disturbed as a unit, regardless of ownership.

Trail. A public or private path of travel for recreation and/or transportation within a *park*, natural environment or designated corridor (not to be a highway or *road*).

Transit and Ground Passenger Transportation. An establishment comprised of a variety of passenger transportation activities such as: chartered bus, school bus, interurban bus transportation and taxis. These activities are defined by *vehicle* type, route and schedule.

Travel Trailer. (See *Recreational Vehicle*).

Travel Trailer Park. (See *Recreational Vehicle Park*).

Traveled Way. A means of access to a property. Typically this shall mean a public or private *road*. Where no public or private *road* adjoins a property, the vehicular access to a personal drive shall be considered as the *traveled way* for purposes of determining *front yard* requirements.

Traveled Way, Edge. The edge of the *road* pavement on a paved *road* or the edge of the riding surface on an unpaved *road* or drive.

Travelway. The portion of a *road*, highway, *driveway*, access *road* corridor, *right-of-way*, etc., that is designed and maintained for the purpose of accommodating vehicular passage. Specifically excluded are *road* shoulders, ditches, curb and gutter systems, other drainage facilities and unimproved *road rights-of-way* not intended to be driven on by *vehicles*.

TRC. Technical Review Committee.

Tree. A living, self-supporting woody perennial plant which normally obtains a trunk diameter of at least two (2) inches and a height of at least ten (10) feet, and typically has one (1) main stem and many branches.

Tree, Large. A *tree* whose height under average regional growing conditions will exceed 35 feet in height at maturity.

Tree, Small. A *tree* whose height under average regional growing conditions will be 35 feet in height or less at maturity.

Truck Terminals. An establishment primarily engaged in providing services to trucks which may include offices of transport companies, easy loading and unloading facilities and large parking areas for idle trucks.

Twenty-Five Year Storm. The *stormwater runoff* resulting from precipitation of an intensity that, based on historical data, is predicted by a method acceptable to the *Approving Authority* to

be equaled or exceeded on the average, once in 25 years, and of a duration which will produce the maximum peak rate of runoff for the watershed of interest under average antecedent wetness conditions.

Uncovered. The removal of *ground cover* from, on, or above the soil surface.

Undertaken (Soil Erosion and Sedimentation Control). The initiating of any activity, or phase of activity, which results or will result in a change in the *ground cover* or topography of a *tract* of land.

Unique Natural Area. An area that meets the criteria for qualifications as a natural heritage area as prescribed in *NCAC* Chapter 15A-12H, Section 0202.

Urgent Care Clinic. A full service walk-in medical clinic (which may include a physical therapy facility) which provides immediate/urgent health care services (including services for individuals with sudden, serious and unexpected illnesses, injuries or conditions which require immediate medical attention) but which does not provide emergency medical/emergency room services.

Use. The purpose or activity for which a piece of land (or portion thereof) and/or its *structures* (or portion thereof) is/are designed, arranged or intended or for which it/they is/are occupied or maintained.

Use, Accessory. A *use* customarily incidental and subordinate to a *principal use*, located within a *principal* and/or *accessory structure*.

Use, Existing. Those *uses* that, at a minimum, have established a vested right under North Carolina zoning law.

Use, Principal. The specific primary purpose for which land is used.

Use, Temporary. A *use* permitted on a temporary basis.

Use District. A zone established through this Chapter which regulates the *use* of land. *use* districts are applied to particular *tracts* of land by the Board of Commissioners through a *zoning map amendment* in accordance with this Chapter. When a *use* district is applied to a particular *tract* of land, the land is said to have been “zoned.” *Use* districts each contain a variety of *uses* which are generally compatible with one another and which accomplish the stated purpose of the district.

USGS. United States Geological Survey.

Utility Substation. Substation engaged in the operating of utilities such as, but not limited to, electricity, water, sewer, telephone and cable. Substations arrange, facilitate or coordinate the transmission of a utility from the generating source to the distribution centers, other utilities or final consumers.

Variance. A grant of relief from the requirements of this Chapter (excluding *variances* from *watershed* and *floodplain* development requirements).

Variance, Accommodative Temporary. (See *Variance*).

Variance (Flood Damage Prevention). A grant of relief from the requirements of this Chapter related to flood damage prevention regulations.

Variance, Watershed Local. A *variance* from the minimum statewide *water supply watershed* protection criteria that results in the relaxation, by a factor of up to five (5) percent of any buffer, density or built-upon area requirement under the high density option; or that results in a relaxation, by a factor of up to ten (10) percent, of any management requirement under the low-density option.

Variance, Watershed Major. A *variance* from the minimum statewide *water supply watershed* protection criteria that results in any of the following:

- (1) The relaxation, by a factor greater than ten (10) percent, of any management requirement under the low-density option;
- (2) The relaxation, by a factor greater than five (5) percent, of any buffer, density or built-upon area requirement under the high density option; and
- (3) Any variation in the design, maintenance or operation requirements of a wet detention pond or other approved *stormwater* control system.

Vehicle (Gate Regulations). Any *motor vehicle* which is allowed to *use* the public roadways in North Carolina, but not including *vehicles* which include trailers or semi-trailers (See Chapter 47 of the Henderson County Code, *Entry Gate*).

Vehicle Graveyard. A parcel of land having an *accessory use* consisting of the storage or keeping of five (5) or more wrecked, scrapped, ruined, dismantled, *junked or inoperable motor vehicles* (including but not limited to cars, trucks, tractor trailers, boats, motorcycles or jet skis or other motorized equipment) located on a land parcel or adjacent land parcels under the same ownership or control, if such storage or keeping is not enclosed within a *structure(s)*.

Velocity. The speed of flow through a cross section perpendicular to the direction of the main channel at the peak flow of the storm of interest but not exceeding bank full flows.

Vertical Clearance. A minimum established height clearance required for the passage of emergency *vehicles*. For the purposes of this Chapter, *vertical clearance* shall be a minimum of 13 feet, six (6) inches.

Violation. The failure of a *structure* or other development to be fully compliant with the County's regulations.

Violation (Flood Damage Prevention). The failure of a *structure* or other development to be fully compliant with the County's *floodplain management regulations*. A *structure* or other development without an elevation certificate, other certifications or other evidence of compliance required in §42-234 (Administration) and §42-235 (Flood Hazard Reduction) is presumed to be in *violation* until such time as that documentation is provided.

Warehousing and Storage. An establishment primarily engaged in operating warehousing and storage facilities (excluding warehousing of hazardous substances).

Waste (Soil Erosion and Sedimentation Control). Surplus materials resulting from on-site *land-disturbing activities* and being disposed of at other locations.

Waste Collection and Transfer Facility (Hazardous). An establishment primarily engaged in: (1) collecting and/or hauling hazardous waste; and/or (2) operating hazardous waste transfer stations. Hazardous waste collection establishments may be responsible for the identification, treatment, packaging and labeling of wastes for the purposes of transport.

Waste Collection and Transfer Facility (Non-hazardous). An establishment primarily engaged in: (1) collecting and/or hauling non-hazardous waste and/or recyclable materials; and/or (2) operating non-hazardous waste transfer stations. Non-hazardous waste collection establishments may be responsible for the identification, treatment, packaging and labeling of wastes for the purposes of transport.

Wastewater. Sewage or industrial process wastewater discharged, transmitted or collected from any place into sewage disposal (wastewater) system.

Wastewater Treatment Plant. A facility containing a series of tanks, screens, filters, and other combination of physical, chemical and biological processes to treat *wastewater* so that less harmful byproducts result as pollutants are removed.

Wastewater Treatment Plant, Small Accessory. A facility, including package wastewater treatment plants, containing a series of tanks, screens, filters, and other combination of physical, chemical and biological processes to treat *wastewater* so that less harmful byproducts result as pollutants are removed. These facilities are intended to be accessory to and used for a single development (i.e. *subdivision, shopping mall, etc.*), and is not designed to serve multiple developments.

Water Dependent Structure. *Structure* for which the *use* requires access to, proximity to or siting within surface waters to fulfill its basic purpose such as boat ramps, boathouses, piers, docks and *bulkheads*. Ancillary facilities, such as restaurants, outlets for boat supplies, parking lots and commercial boat storage areas are not water dependent structures.

Water Supply System. A system for the collection, treatment, storage and distribution of potable water from the source of supply to the consumer and which may be of the following types: *private well water supply system, public water supply system, and municipal water supply system.*

Water Supply System, Municipal. A *water supply system* owned and operated by a *local government.*

Water Supply System, Private Well. A water supply water system furnishing potable water to less than 15 connections or 25 persons.

Water Supply System, Public. A *municipal water supply system* or:

- (1) A system for the provision to the public of piped water for human consumption that serves 15 or more service connections or which regularly serves 25 or more individuals. The term includes:
 - a. Any collection, treatment, storage or distribution facility under the control of the operator of the system and used primarily in connection with the system; or
 - b. Any collection or pretreatment storage facility not under the control of the operator of the system that is used primarily in connection with the system.
- (2) A “community water system” or a “noncommunity water system” as follows:
 - a. “Community water system” is a *public water supply system* that serves 15 or more service connections or which regularly serves at least 25 year-round residents.
 - b. “Noncommunity water system” is a *public water supply system* that is not a community water system.

Water Supply Watershed. An area designated by the North Carolina Environmental Management Commission, delineated on the official map entitled "Henderson County Water Supply Watershed Protection Map," and regulated by this Chapter.

Water Surface Elevation (WSE). The height, in relation to *mean sea level*, of floods of various magnitudes and frequencies in the *floodplains* of *riverine* areas.

Watercourse (Flood). A lake, river, creek, stream, wash, channel, or other topographic feature on or over which waters flow at least periodically. Watercourse includes specifically designated areas in which substantial flood damage may occur.

Watershed. The entire land area contributing surface drainage to a specific point, such as the water supply intake.

Water Quality Administrator. (See *Administrator, Water Quality*).

Watershed Map. A map on file with the *Water Quality Administrator* which may be produced digitally at different scales, titled "Henderson County Water Supply Watershed Map," which shows the boundaries of each *watershed* district and their respective classification, where such map is approved by the Henderson County Board of Commissioners and includes, at a minimum, the *watershed* districts adopted by the North Carolina Environmental Management Commission or any other authorized agency of the state.

Wetlands. Lands transitional between terrestrial and aquatic systems where the water table is usually at or near the surface or the land is covered by shallow water. For purposes of this classification wetlands must have one or more of the following three (3) attributes: (1) at least periodically, the land supports predominantly hydrophytes; (2) the substrate is predominantly undrained hydric soil; and (3) the substrate is nonsoil and is saturated with water or covered by shallow water at some time during the growing season of the year (US Fish and Wildlife Service, National Wetlands Inventory).

Wholesale Trade. An establishment primarily engaged in selling and/or arranging the purchase of goods to other businesses at wholesale.

Working Days. Days exclusive of Saturday and Sunday during which weather conditions or soil conditions permit *land-disturbing activity* to be *undertaken*.

WS. *Watershed*.

Yard. An open space on the same *lot* with a *structure*.

Yard, Front. An open, unoccupied space on the same *lot* with a *principal structure*, extending the full width of the *lot* and situated between the *road* or property line and the front line of the *structure*, projected to the sidelines of the *lot*.

Yard, Rear. An open, unoccupied space on the same *lot* with a *principal structure*, extending the full width of the *lot* and situated between the rear property line and the rear line of the *structure*, projected to the sidelines of the *lot*.

Yard Sale. A *temporary use* for the purpose of informal sales conducted by occupants of private households at their dwelling premises (including *garage*, porch, *carport* and estate auction sales).

Yard, Side. An open, unoccupied space on the same *lot* with a *principal structure* situated between the *structure* and the side property line and extending from the rear line of the *front yard* to the front line of the *rear yard*.

Youth Center. An establishment primarily engaged in providing nonresidential social assistance services for children and youth. These establishments provide for the welfare of children in such areas as adoption and foster care, drug prevention, life skills training and positive social development. This excludes those youth centers for recreational purposes only.

ZBA. Zoning Board of Adjustment.

Zoning Administrator. (See *Administrator, Zoning*).

Zoning Compliance Inspection. A zoning compliance inspection is made, where required, following the issuance of a *zoning permit* and prior to the issuance of a Certificate of Occupancy.

Zoning Map/Henderson County Zoning Map. The Official Zoning Map of Henderson County.

Zoning Permit. A permit issued by the County conferring the right to undertake and complete the development of and *use* of property in accordance with the standards of this Chapter.