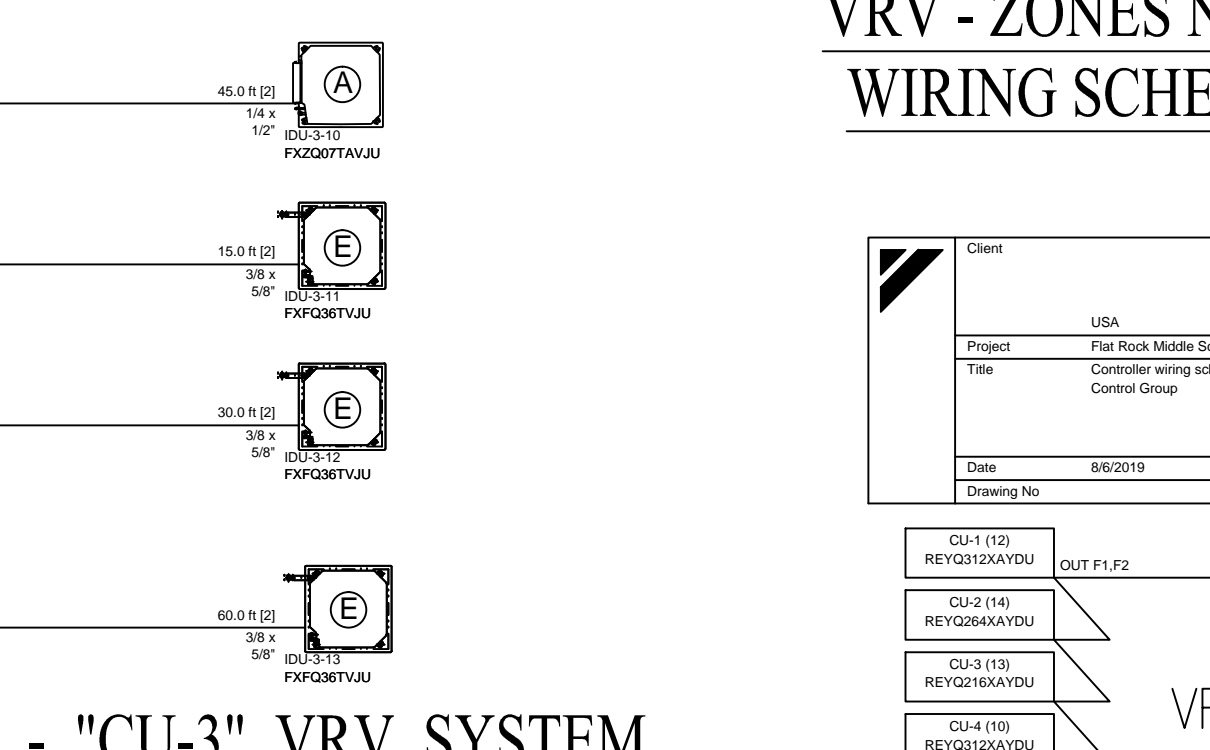
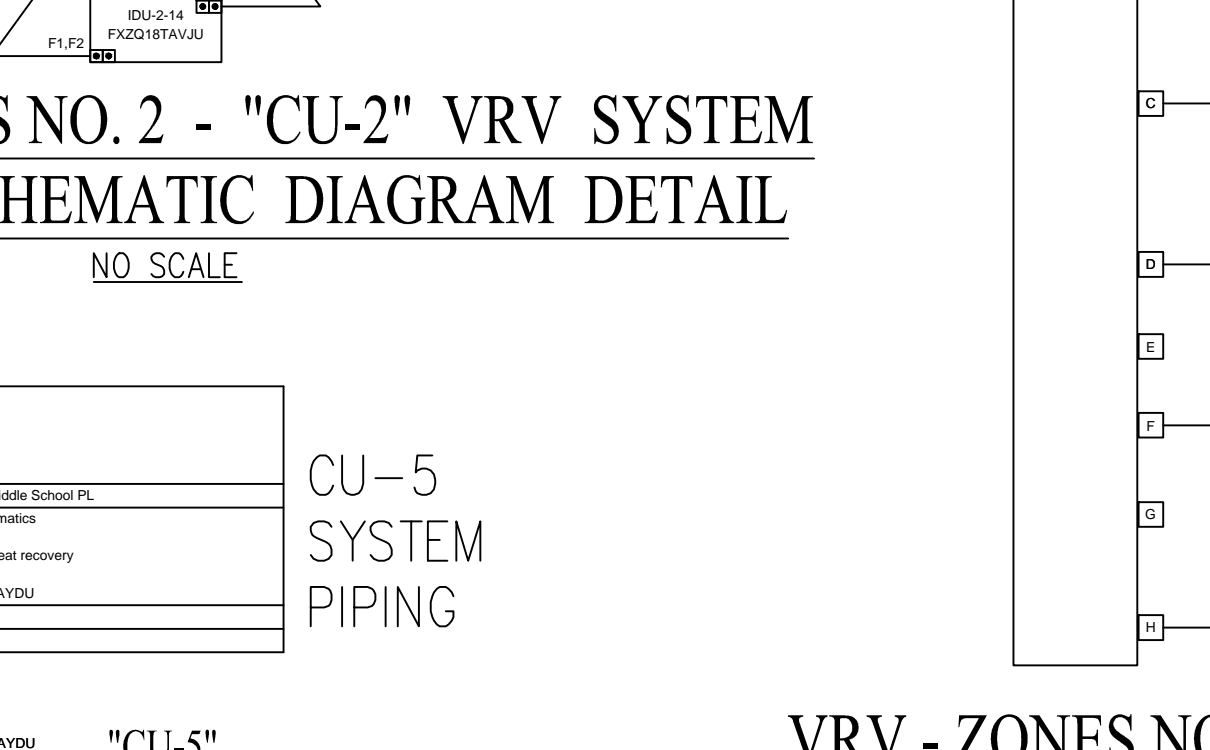
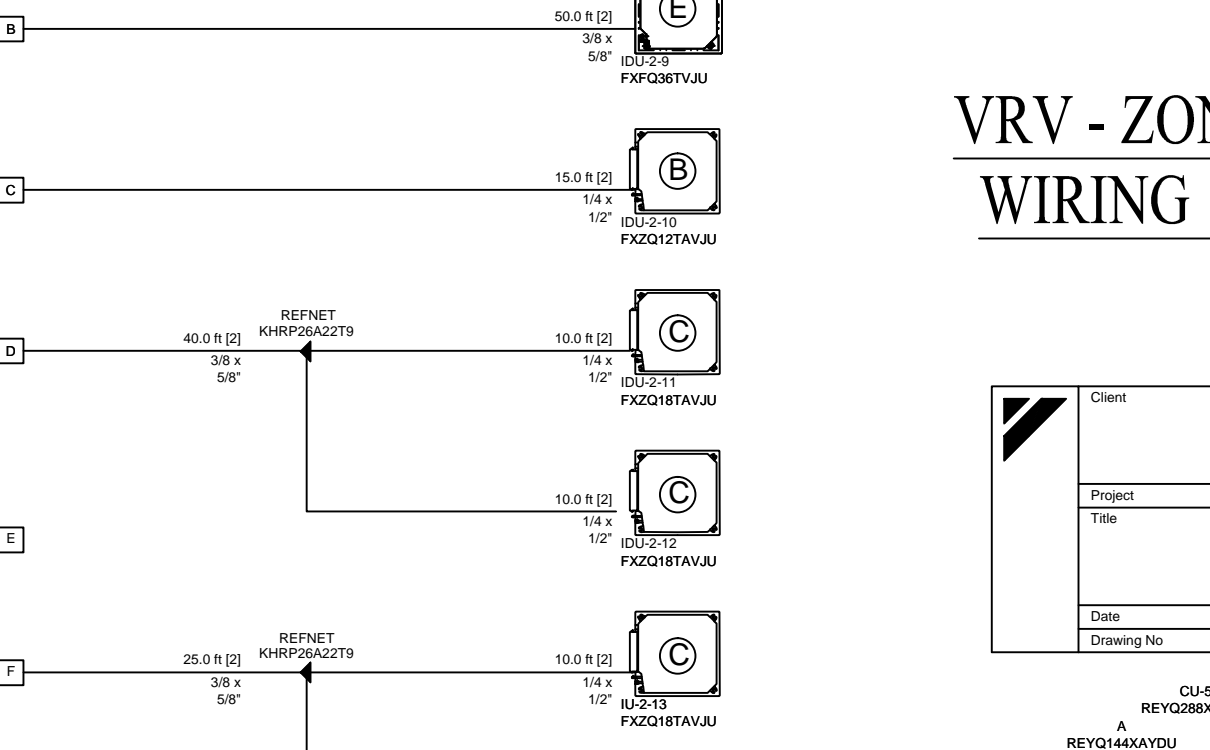
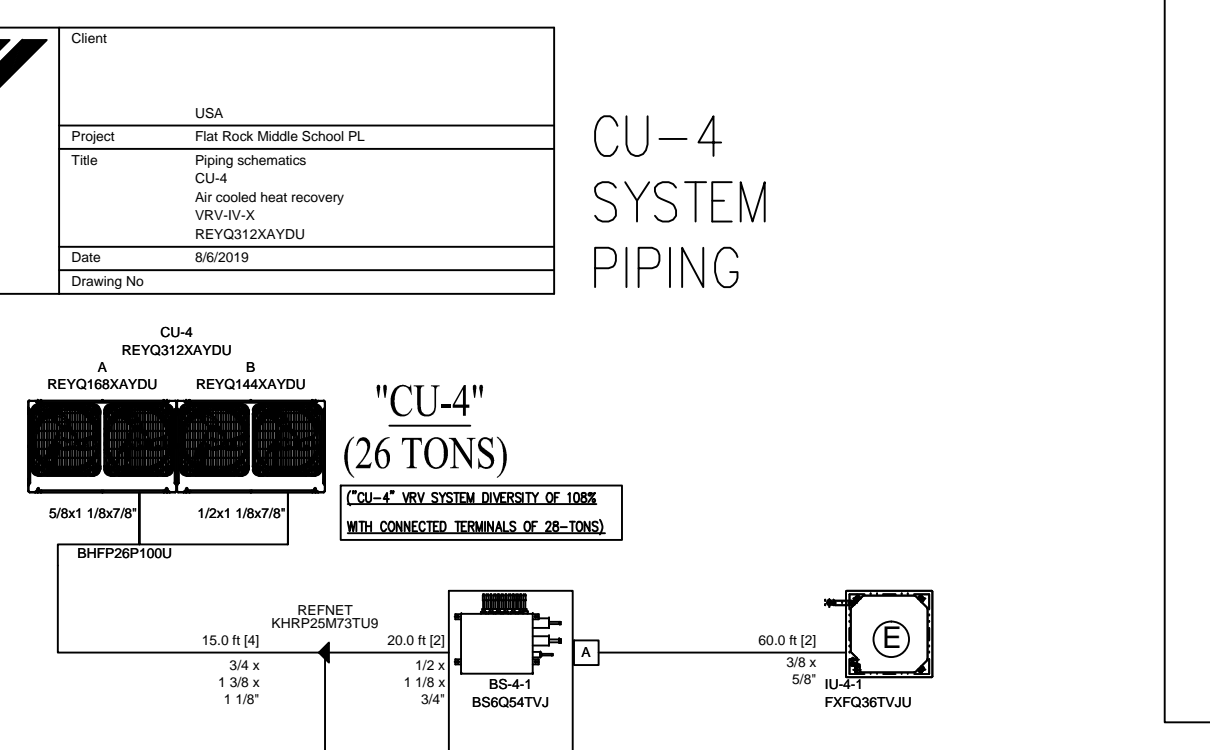
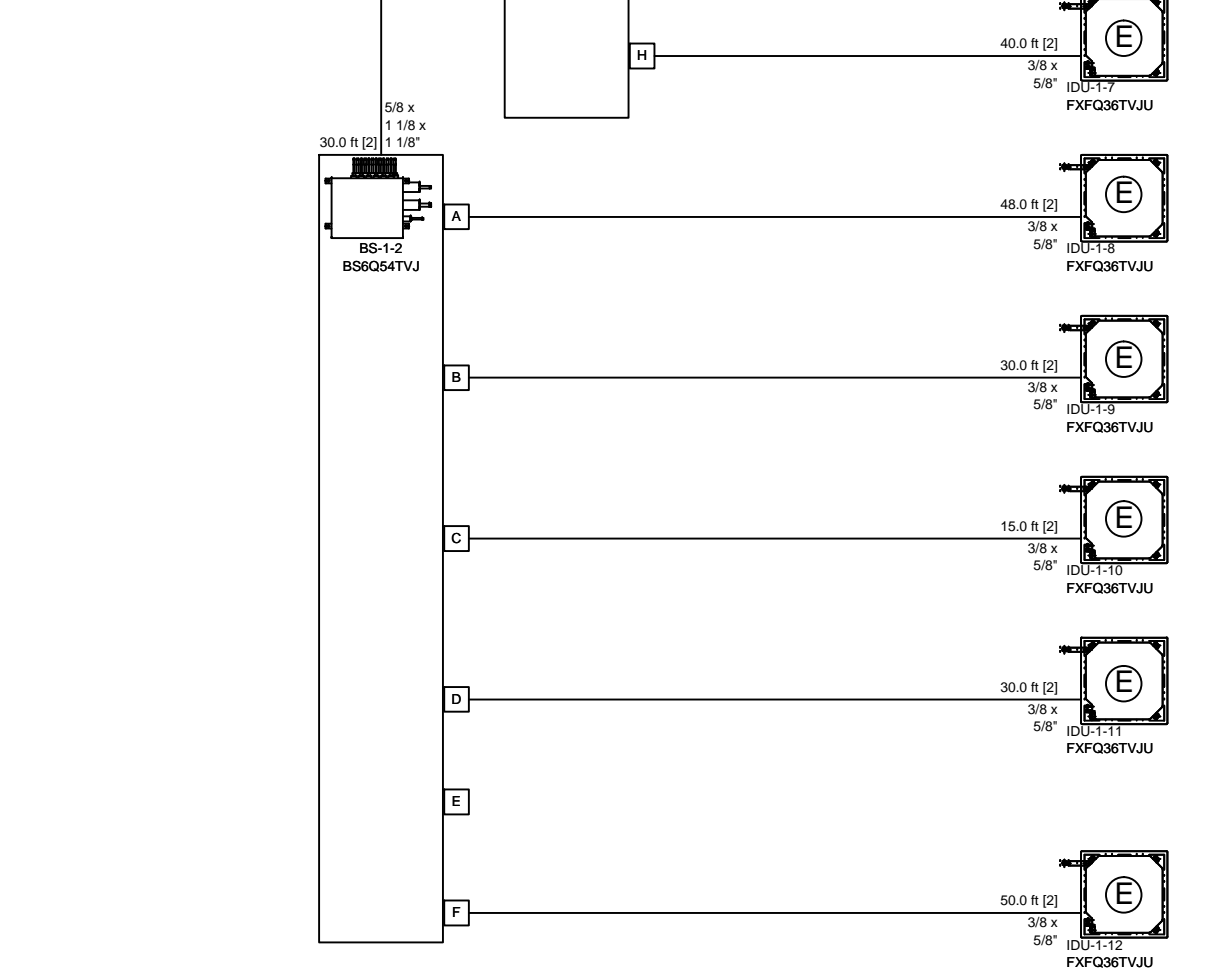


VRV - ZONES NO. 1 - "CU-1" VRV SYSTEM WIRING SCHEMATIC DIAGRAMS DETAIL  
NO SCALE

VRV - ZONES NO. 2 - "CU-2" VRV SYSTEM WIRING SCHEMATIC DIAGRAM DETAIL  
NO SCALE

VRV - ZONES NO. 3 - "CU-3" VRV SYSTEM WIRING SCHEMATIC DIAGRAMS DETAIL  
NO SCALE

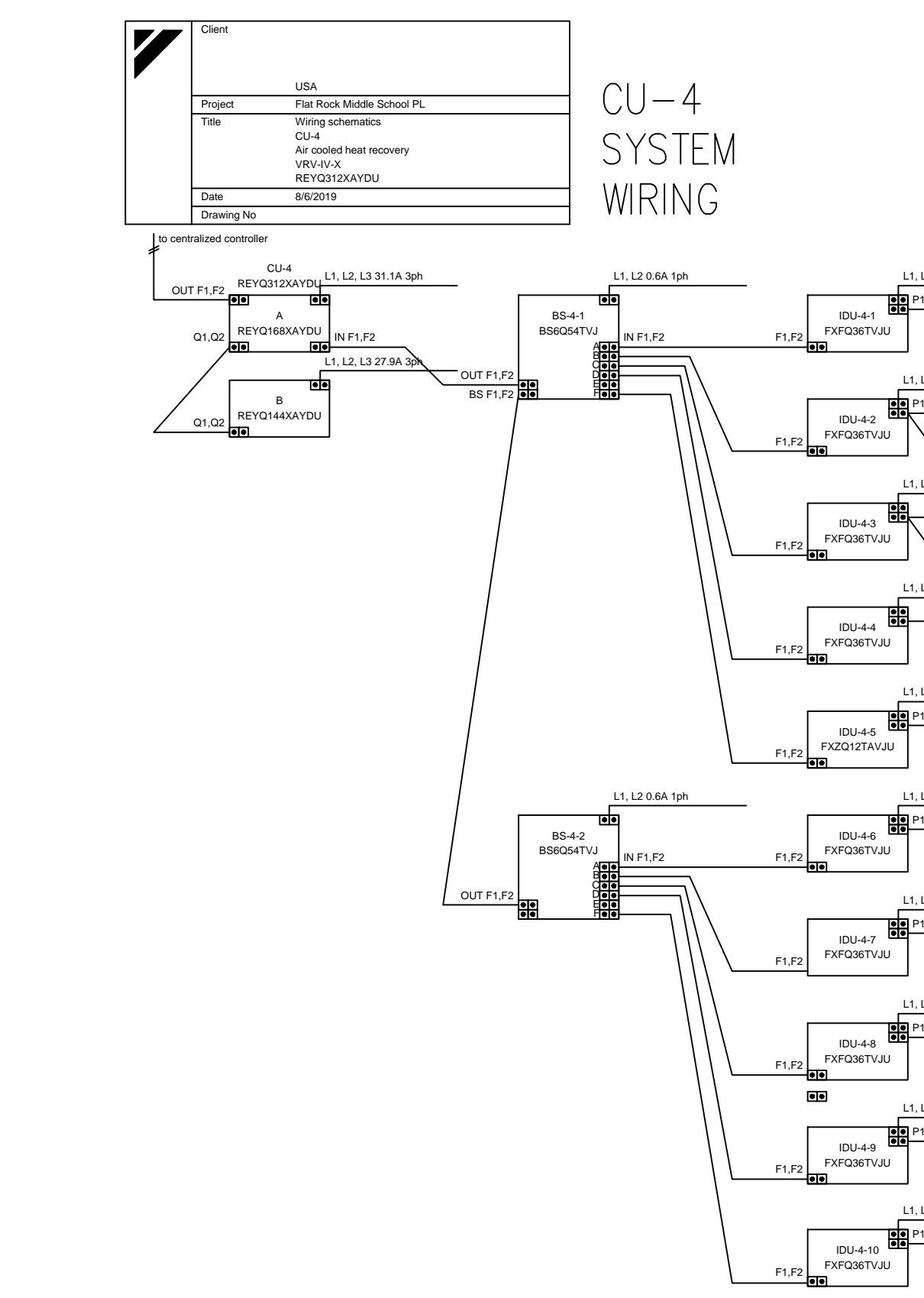


VRV - ZONES NO. 4 - "CU-4" VRV SYSTEM PIPING SCHEMATIC DIAGRAMS/DETAIL  
NO SCALE

VRV - ZONES NO. 2 - "CU-2" VRV SYSTEM PIPING SCHEMATIC DIAGRAM DETAIL  
NO SCALE

VRV - ZONES NO. 3 - "CU-3" VRV SYSTEM PIPING SCHEMATIC DIAGRAMS DETAIL  
NO SCALE

VRV - ZONES NO. 1 - "CU-1" VRV SYSTEM PIPING SCHEMATIC DIAGRAMS DETAIL  
NO SCALE

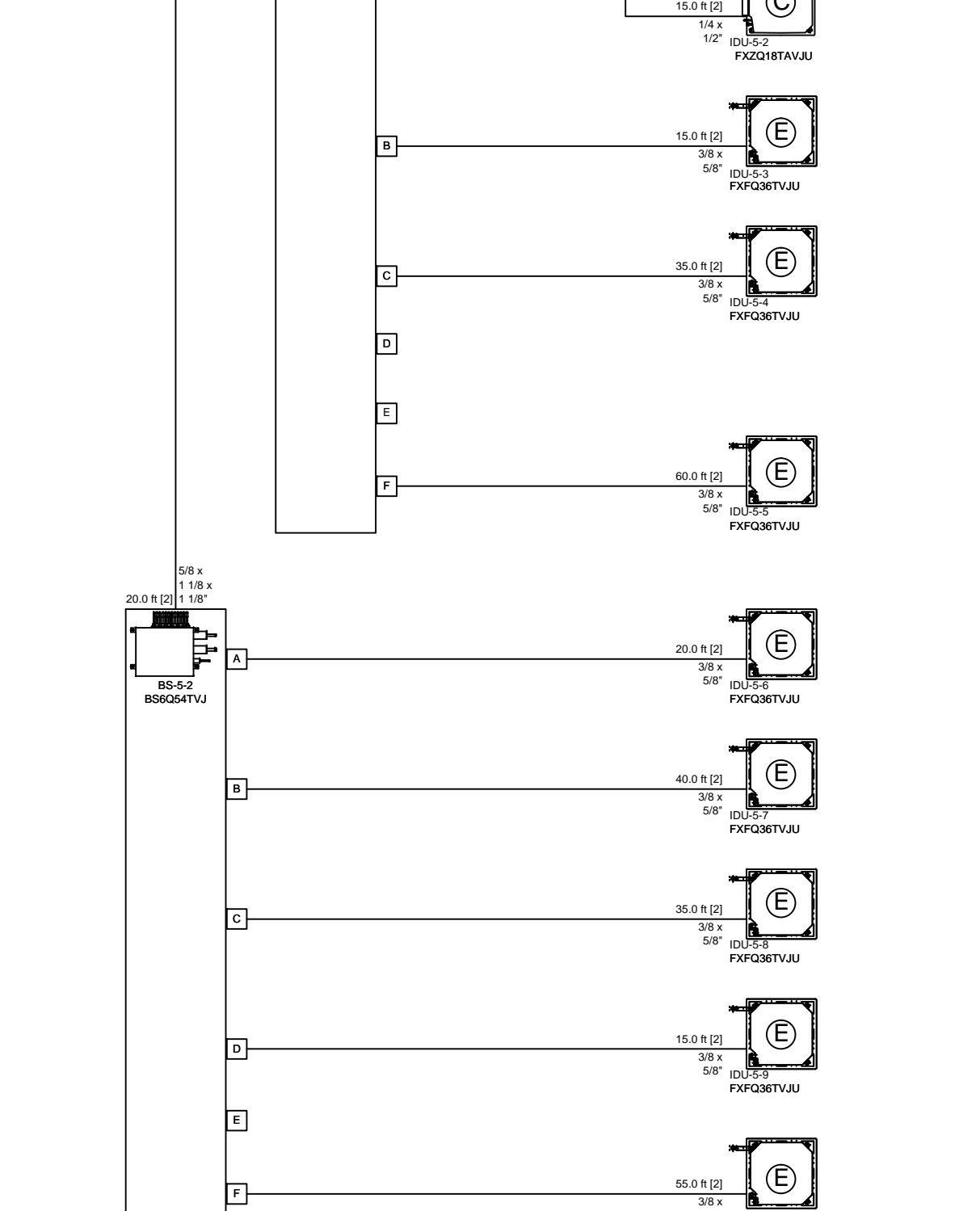


VRV - ZONES NO. 4 - "CU-4" VRV SYSTEM PIPING SCHEMATIC DIAGRAMS/DETAIL  
NO SCALE

(FLAT ROCK) - NEW VRV ("IDU") INDOOR UNIT TYPE & NOMINAL CAPACITY SCHEDULE

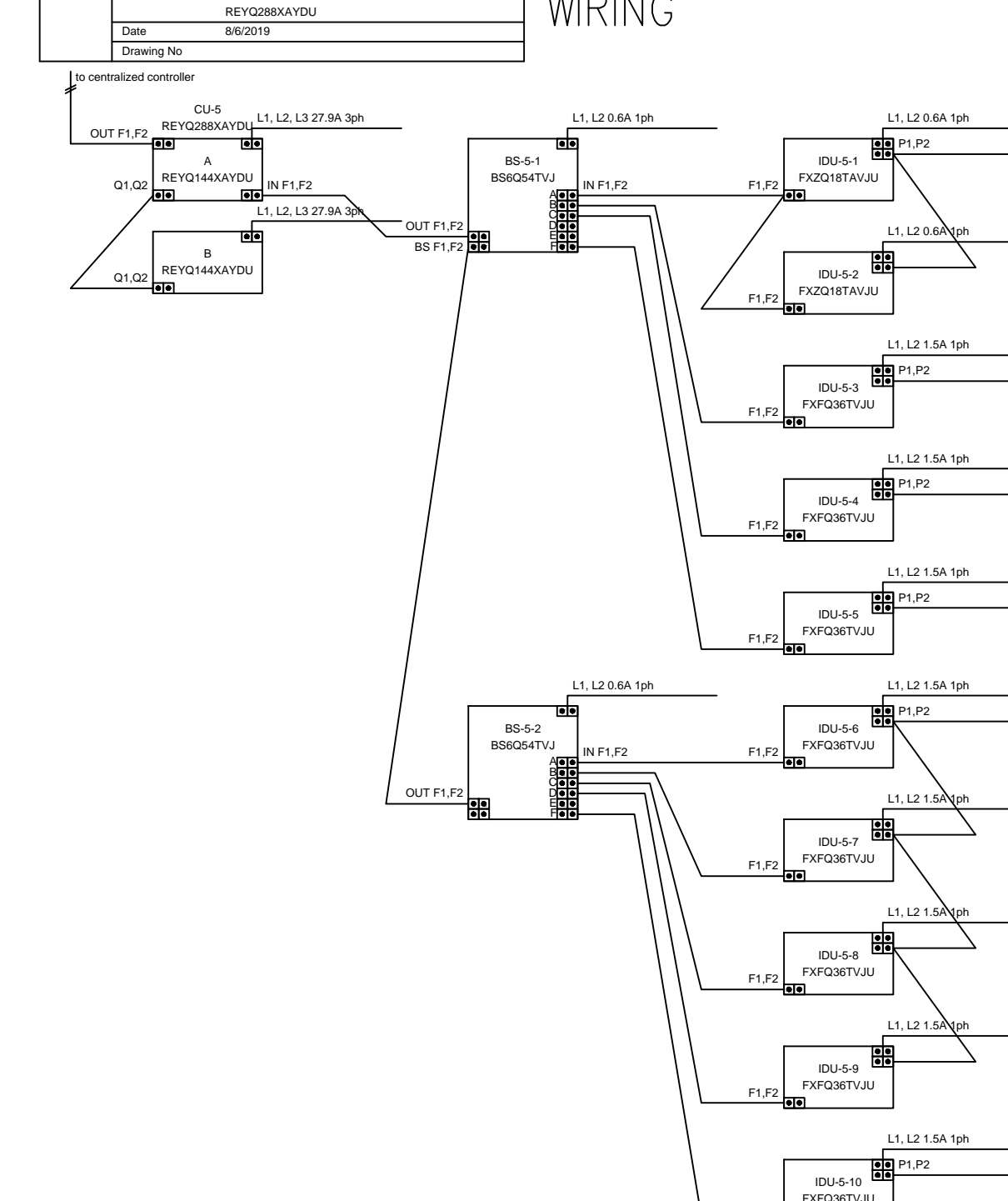
MARK	UNIT SYMBOL	UNIT TYPE	CAPACITY
A		CEILING CASSETTE w/TRIM	1/2-TON NOMINAL COOLING CAPACITY
A		VERTICAL WALL MOUNTED w/TRIM	1/2-TON NOMINAL COOLING CAPACITY
B		CEILING CASSETTE w/TRIM	1-TON NOMINAL COOLING CAPACITY
C		CEILING CASSETTE w/TRIM	1-1/2-TON NOMINAL COOLING CAPACITY
D		CEILING CASSETTE w/TRIM	2-TON NOMINAL COOLING CAPACITY
E		CEILING CASSETTE w/TRIM	3-TON NOMINAL COOLING CAPACITY

VRV - ZONES NO. 2 - "CU-2" VRV SYSTEM PIPING SCHEMATIC DIAGRAM DETAIL  
NO SCALE



VRV - ZONES NO. 5 - "CU-5" VRV SYSTEM PIPING SCHEMATIC DIAGRAMS DETAIL  
NO SCALE

VRV - ZONES NO. 5 - "CU-5" VRV SYSTEM WIRING SCHEMATIC DIAGRAMS DETAIL  
NO SCALE



VRV - ZONES NO. 5 - "CU-5" VRV SYSTEM WIRING SCHEMATIC DIAGRAMS DETAIL  
NO SCALE

VRV - ZONES NO. 4 - "CU-4" VRV SYSTEM PIPING SCHEMATIC DIAGRAMS/DETAIL  
NO SCALE

REVISIONS

NO.	DATE	DESCRIPTION	BY
1	DEC. 16, 2019	ISSUED FOR OWNER BIDDING.	JJC

DESIGNED BY: S.BRAUNBECK & J.CAPITAN  
 DRAWN BY: CAPITAN  
 CHECKED BY: CAPITAN  
 DATE: DECEMBER-16-2019  
 SCALE: AS NOTED  
 JOB NO.: DEI JOB NO. 19005

DESIGN & ENGINEERING  
 INFRASTRUCTURE UTILITIES  
 SYSTEMS ANALYSIS  
 COMMISSIONING REVIEW

**DELTA**  
 DELTA ENGINEERING, INC. CONSULTING ENGINEERS  
 315 EAST BROAD STREET, GREENVILLE, SC 29601  
 GREENVILLE, SC TEL. NO. (864) 505-6355  
 3106 RIVERVIEW VIEW, CHARLESTON, SC 29414  
 CHARLESTON, SC TEL. NO. (864) 505-2976  
 Em: jcapitan@gmail.com

THIS DRAWING IS THE PROPERTY OF DELTA ENGINEERING, INC. AND SHALL NOT BE USED OR COPIED WITHOUT WRITTEN PERMISSION. COPYRIGHT ©

**FLAT ROCK - NEW HVAC UPGRADE SYSTEMS PIPING, CONTROLS & WIRING SCHEMATIC DETAILS**

PROJECT: 2019 - 2020 HVAC UPGRADES TO FLAT ROCK & RUGBY MIDDLE SCHOOLS  
 HENDERSON COUNTY PUBLIC SCHOOLS  
 414 - 4TH STREET, HENDERSONVILLE, HENDERSON COUNTY, NORTH CAROLINA 29621

DRAWING: FR-M-5  
 SHEET: 8 OF 10  
 REV. NO.: IFOB

NOTE: THE NEW VRV\_DDC SYSTEM "TOUCH-MGR." SHALL BE MOUNTED & INSTALLED IN THE MAIN MECHANICAL ROOM MAIN LEVEL OF THE FLAT ROCK SCHOOL (SEE DWG. "FR-M1")

VRV SYSTEMS "I-TOUCH" MGR. DDC CONTROLLER INTERFACE DIAGRAM (CU-1 THRU CU-5)

ALL VRV - ZONES NO. 1 - 5 - CENTRAL DDC VRV SYSTEM WIRING SCHEMATIC DIAGRAM w/NEW "I-TOUCH" DDC SYSTEM  
NO SCALE