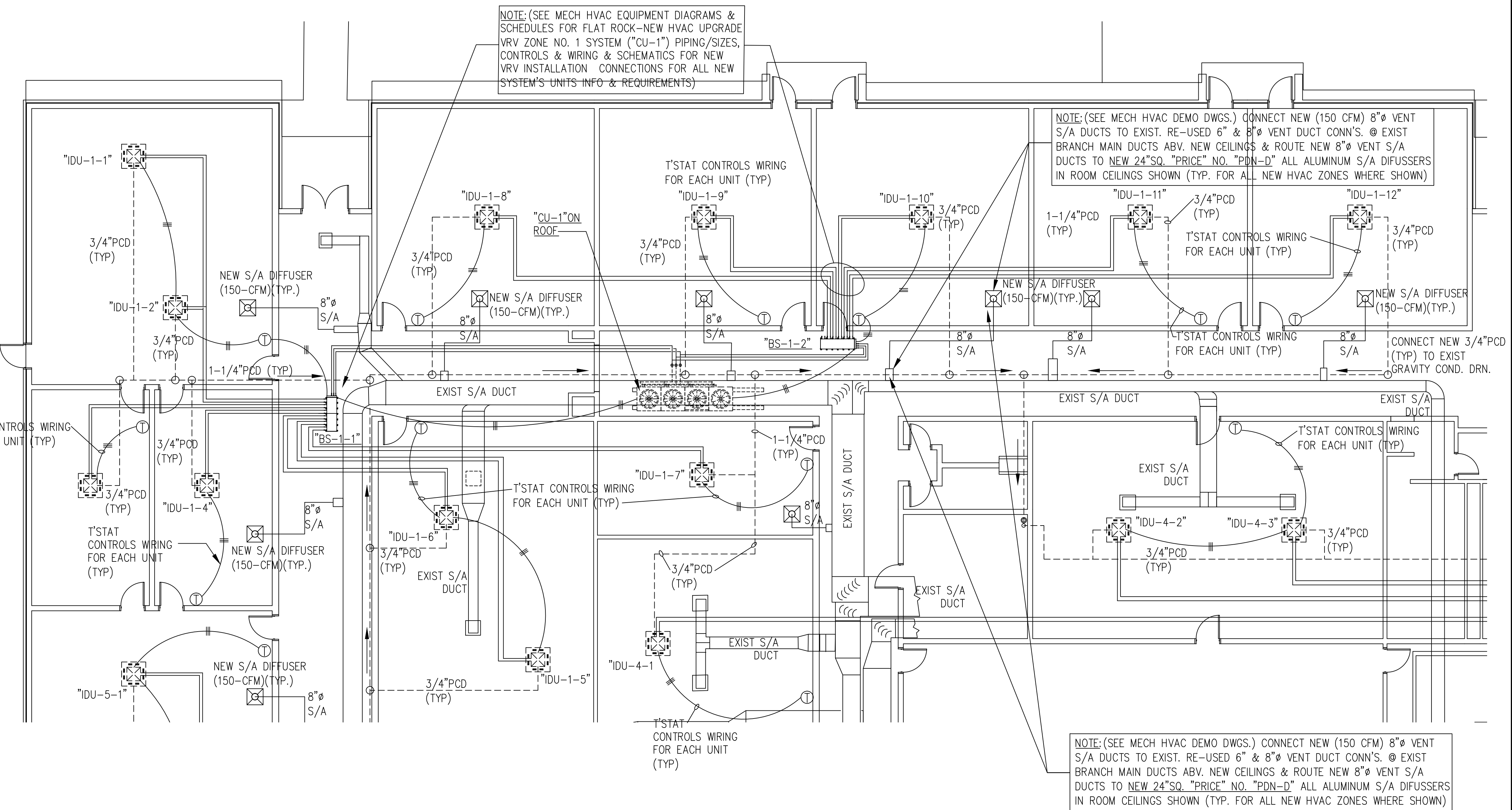
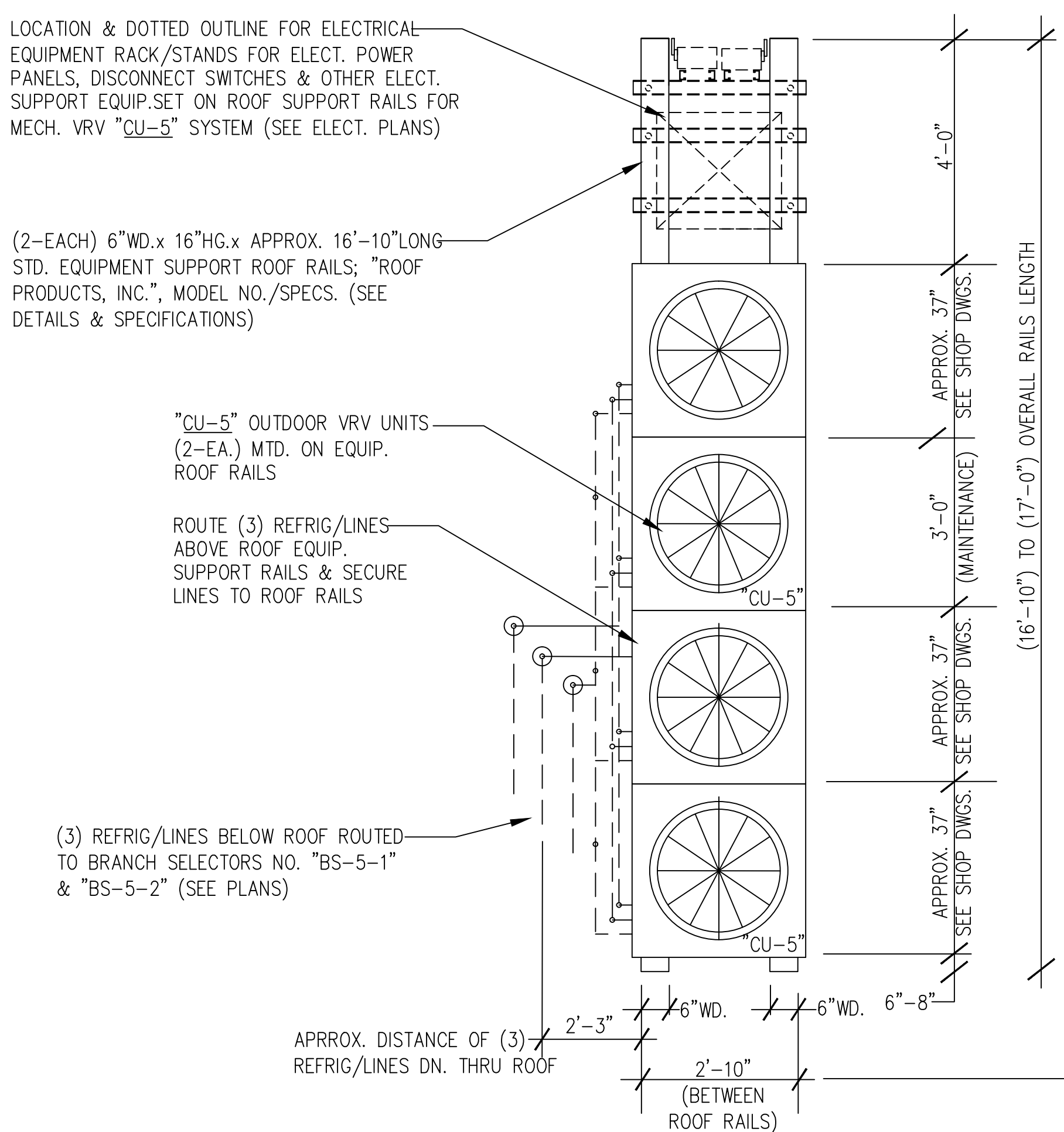


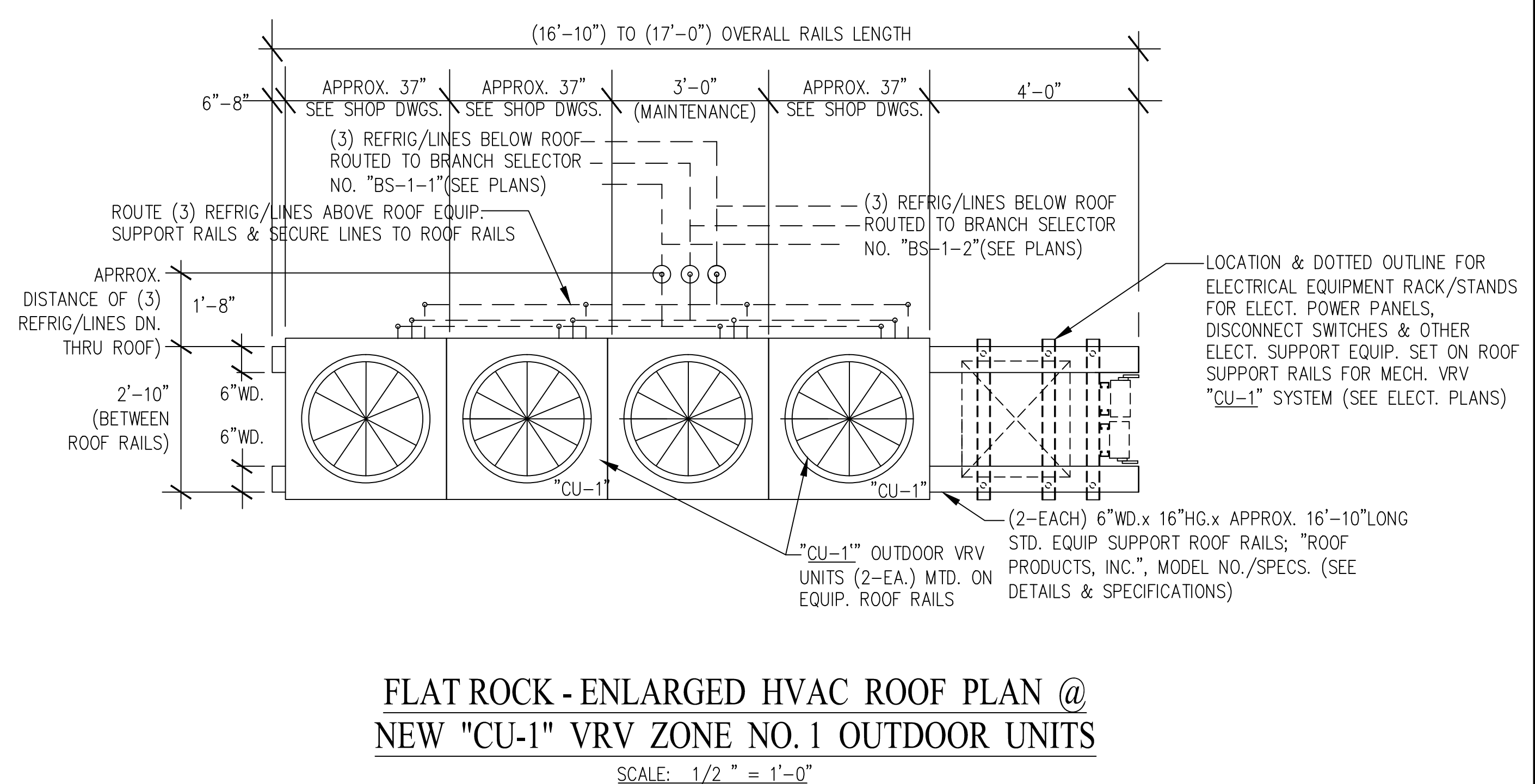
**FLAT ROCK - NEW HVAC UPGRADE SYSTEMS - ENLARGED FLOOR PLAN @ UPGRADE VRV ZONE NO. 5**  
SCALE: 1/8" = 1'-0"



**FLAT ROCK - NEW HVAC UPGRADE SYSTEMS - ENLARGED FLOOR PLAN @ UPGRADE VRV ZONE NO. 1**  
SCALE: 1/8" = 1'-0"



**FLAT ROCK - ENLARGED HVAC ROOF PLAN @ NEW \"CU-5\" VRV ZONE NO. 5 OUTDOOR UNITS**  
SCALE: 1/2" = 1'-0"

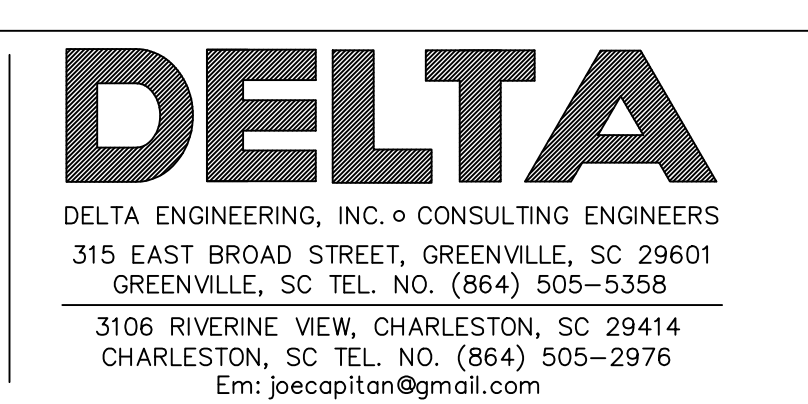


**FLAT ROCK - ENLARGED HVAC ROOF PLAN @ NEW \"CU-1\" VRV ZONE NO. 1 OUTDOOR UNITS**  
SCALE: 1/2" = 1'-0"

NO.	DATE	DESCRIPTION	BY
1	DEC. 16, 2019	ISSUED FOR OWNER BIDDING.	JJC

DESIGNED BY: S.BRAUNBECK & J.CAPITAN  
 DRAWN BY: CAPITAN  
 CHECKED BY: CAPITAN  
 DATE: DECEMBER-16-2019  
 SCALE: AS NOTED  
 JOB NO.: DEI JOB NO. 19005

DESIGN & ENGINEERING  
 ENERGY SYSTEMS  
 INFRASTRUCTURE UTILITIES  
 SYSTEMS ANALYSIS  
 COMMISSIONING REVIEW



THIS DRAWING IS THE PROPERTY OF DELTA ENGINEERING, INC. AND SHALL NOT BE USED OR COPIED WITHOUT WRITTEN PERMISSION. COPYRIGHT ©

**FLAT ROCK - NEW HVAC UPGRADE SYSTEMS ENLARGED FLOOR PLANS - VRV ZONES 1 & 5**

PROJECT: **2019 - 2020 HVAC UPGRADES TO FLAT ROCK & RUGBY MIDDLE SCHOOLS**  
 HENDERSON COUNTY PUBLIC SCHOOLS  
 414 - 4TH STREET, HENDERSONVILLE, HENDERSON COUNTY, NORTH CAROLINA 29621

DRAWING: **FR-M-2**  
 SHEET: 5 OF 10  
 REV. NO.: IFOB